



US00D363066S

# United States Patent [19]

[11] Patent Number: **Des. 363,066**

**Tapani et al.**

[45] Date of Patent: **\*\*Oct. 10, 1995**

## [54] TAPE CARTRIDGE

## FOREIGN PATENT DOCUMENTS

[75] Inventors: **Robert W. Tapani**, Oakdale, Minn.;  
**John T. Gianfagna**, Marietta, Ohio

0075773 6/1981 Japan ..... 358/400

[73] Assignee: **Minnesota Mining and  
Manufacturing Company**, St. Paul,  
Minn.

## OTHER PUBLICATIONS

Radio Shack Cat 1991, p. 35.  
Radio Shack Cat 1991, p. 41.

[\*\*] Term: **14 Years**

*Primary Examiner*—Prabhakar G. Deshmukh  
*Attorney, Agent, or Firm*—Gary L. Griswold; Walter N.  
Kirn; Charles L. Dennis, II

[21] Appl. No.: **24,509**

## [57] CLAIM

[22] Filed: **Jun. 15, 1994**

The ornamental design for the tape cartridge, as shown and  
described.

[52] U.S. Cl. .... **D14/121**

[58] Field of Search ..... D14/121, 100,  
D14/114, 99, 122; 242/348-348.4, 341;  
273/148 B, 433-438, DIG. 28; 360/133,  
132; D21/13, 48

## DESCRIPTION

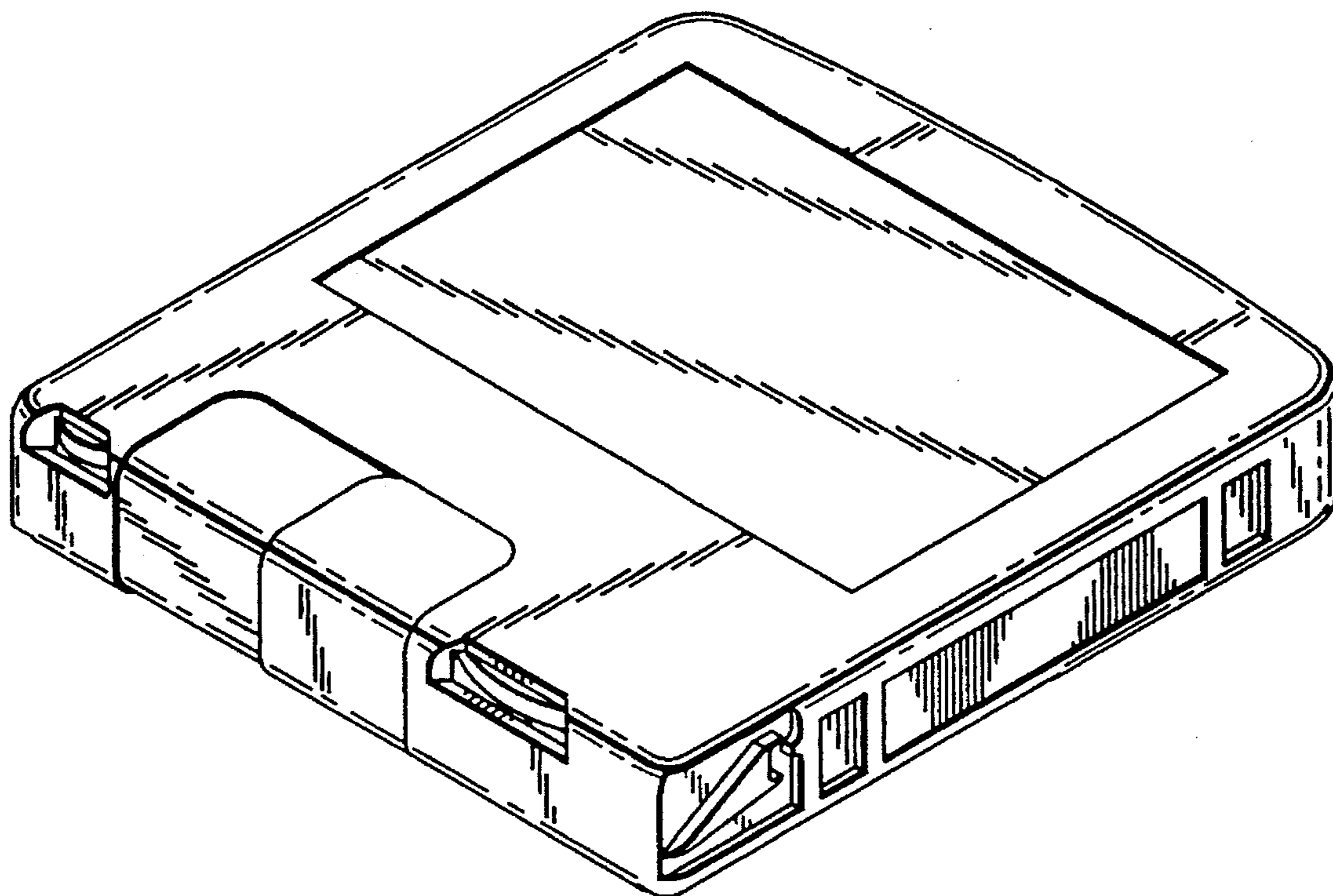
FIG. 1 is a top perspective view of a tape cartridge showing  
our new design;  
FIG. 2 is a rear elevational view thereof;  
FIG. 3 is a front elevational view thereof;  
FIG. 4 is a left side elevational view thereof; the right side  
elevational view being a mirror image thereof;  
FIG. 5 is a top plan view thereof; and,  
FIG. 6 is a bottom plan view thereof.

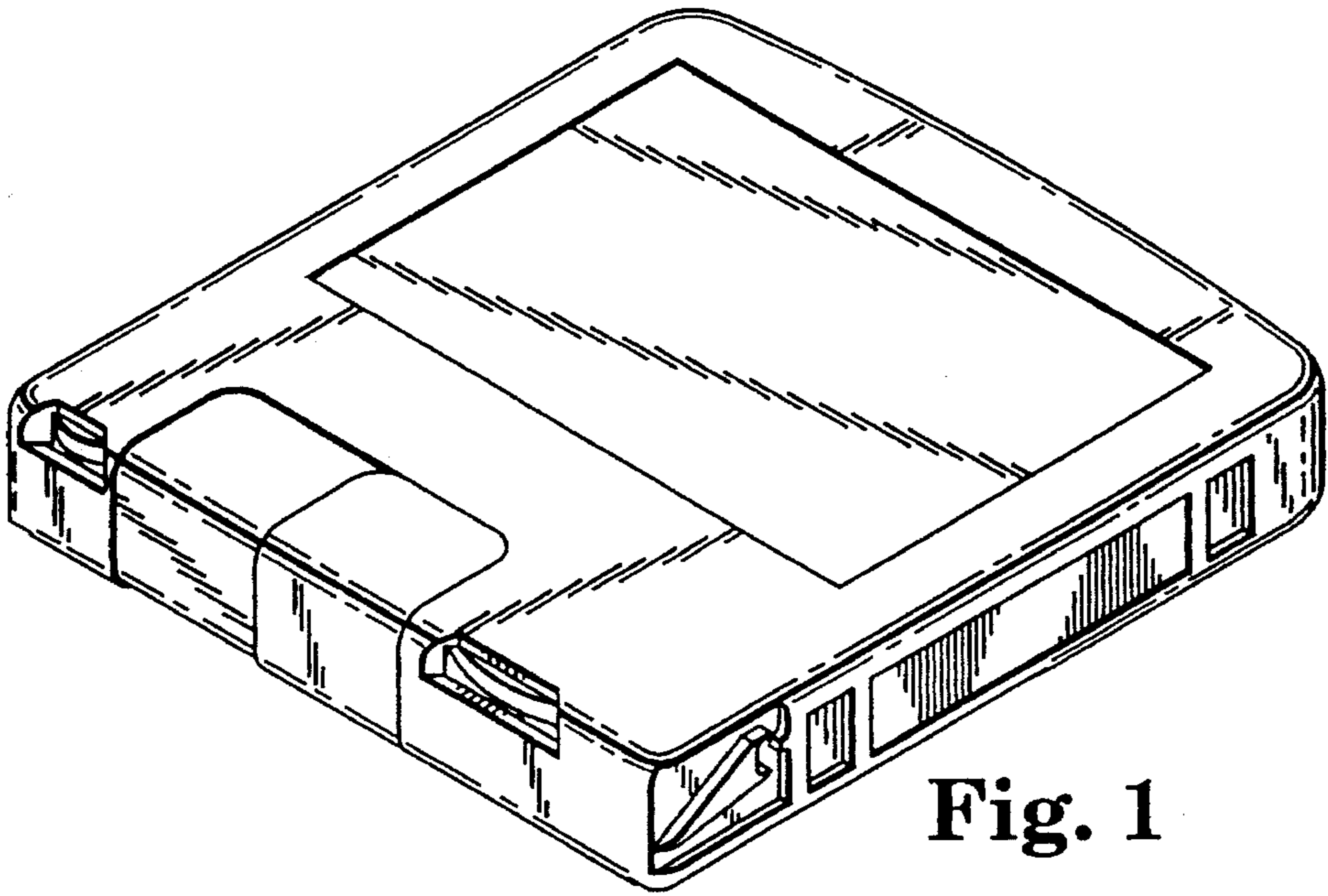
## [56] References Cited

### U.S. PATENT DOCUMENTS

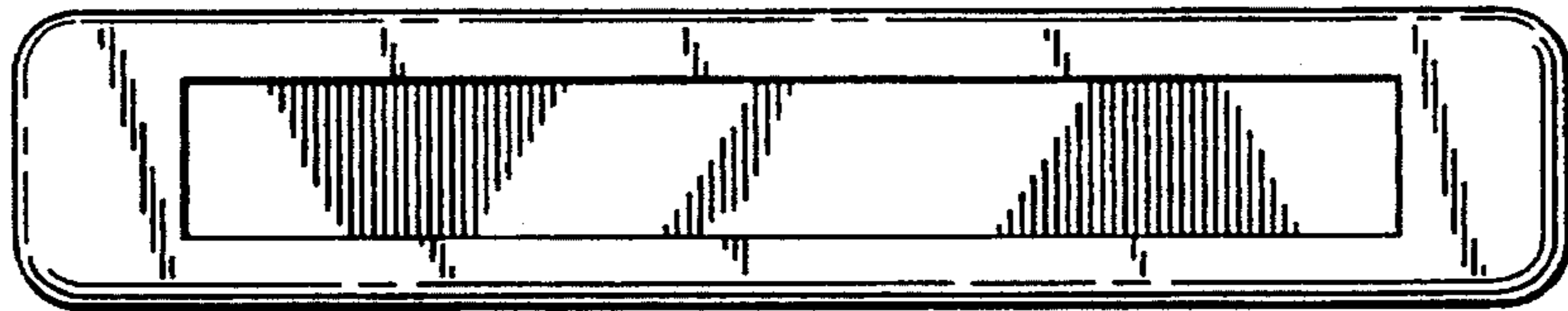
D. 312,081	11/1990	Yukawa	.....	D14/121
D. 319,823	9/1991	Kojo	.....	D14/114
D. 350,951	9/1994	Tseng	.....	D14/121
5,112,051	5/1992	Darling et al.	.....	273/148 B
5,209,424	5/1993	Fischer et al.	.....	242/348

**1 Claim, 2 Drawing Sheets**





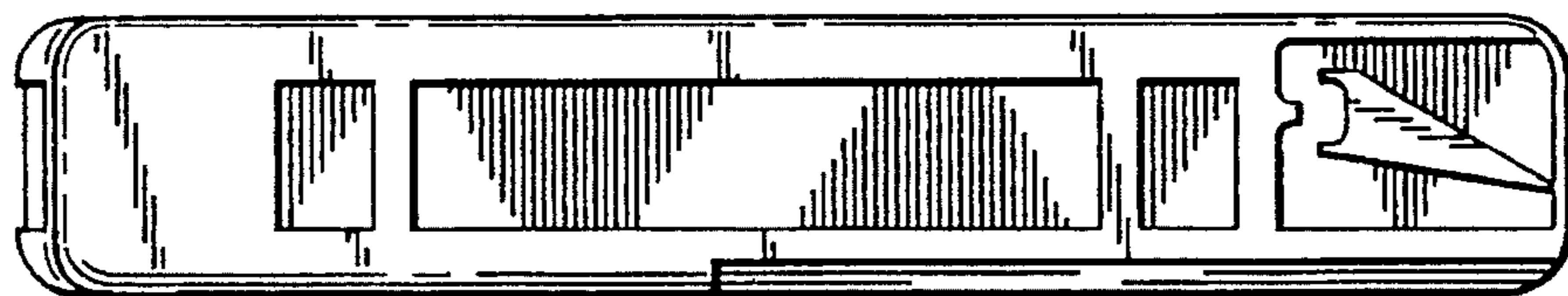
**Fig. 1**



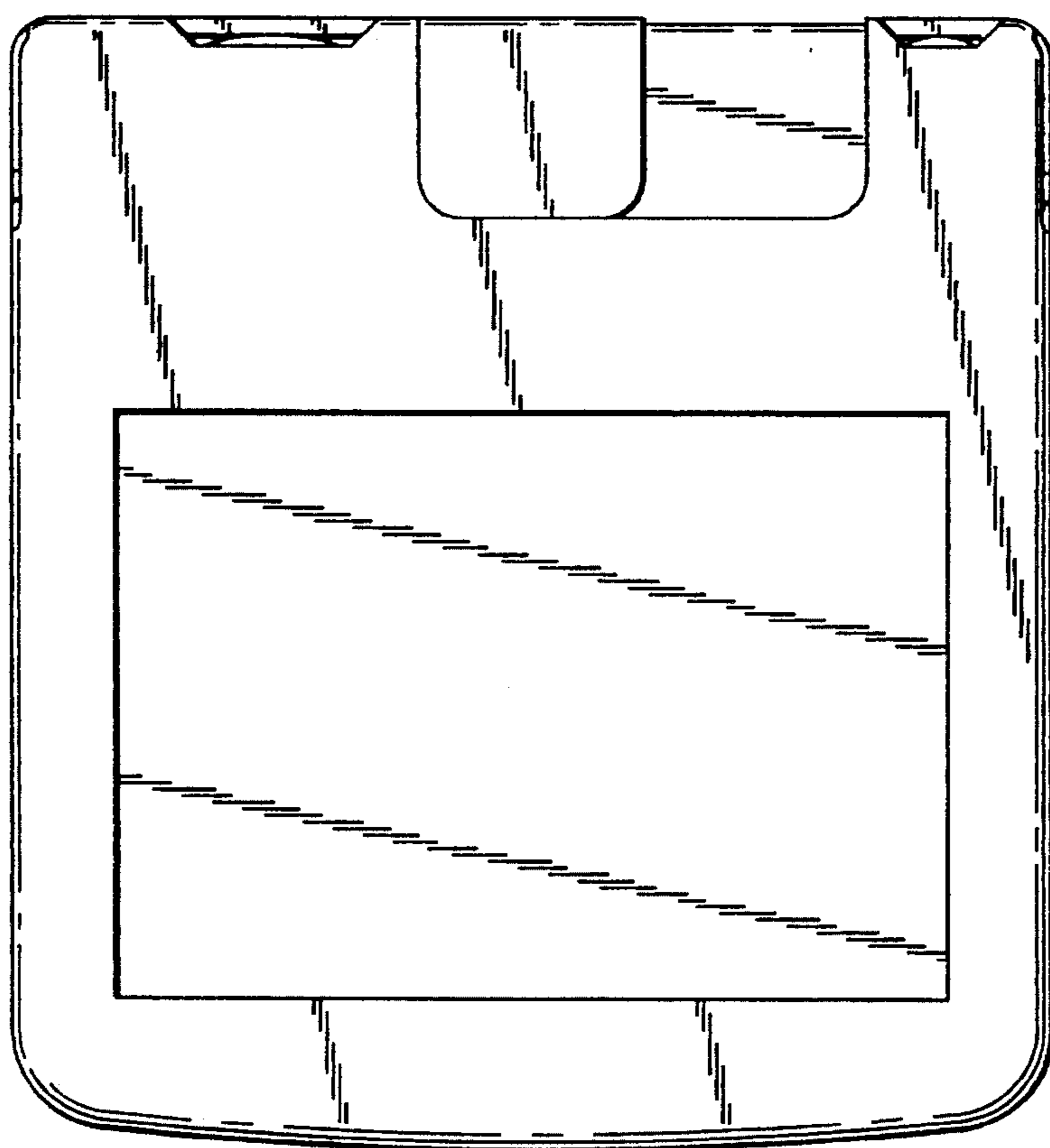
**Fig. 2**



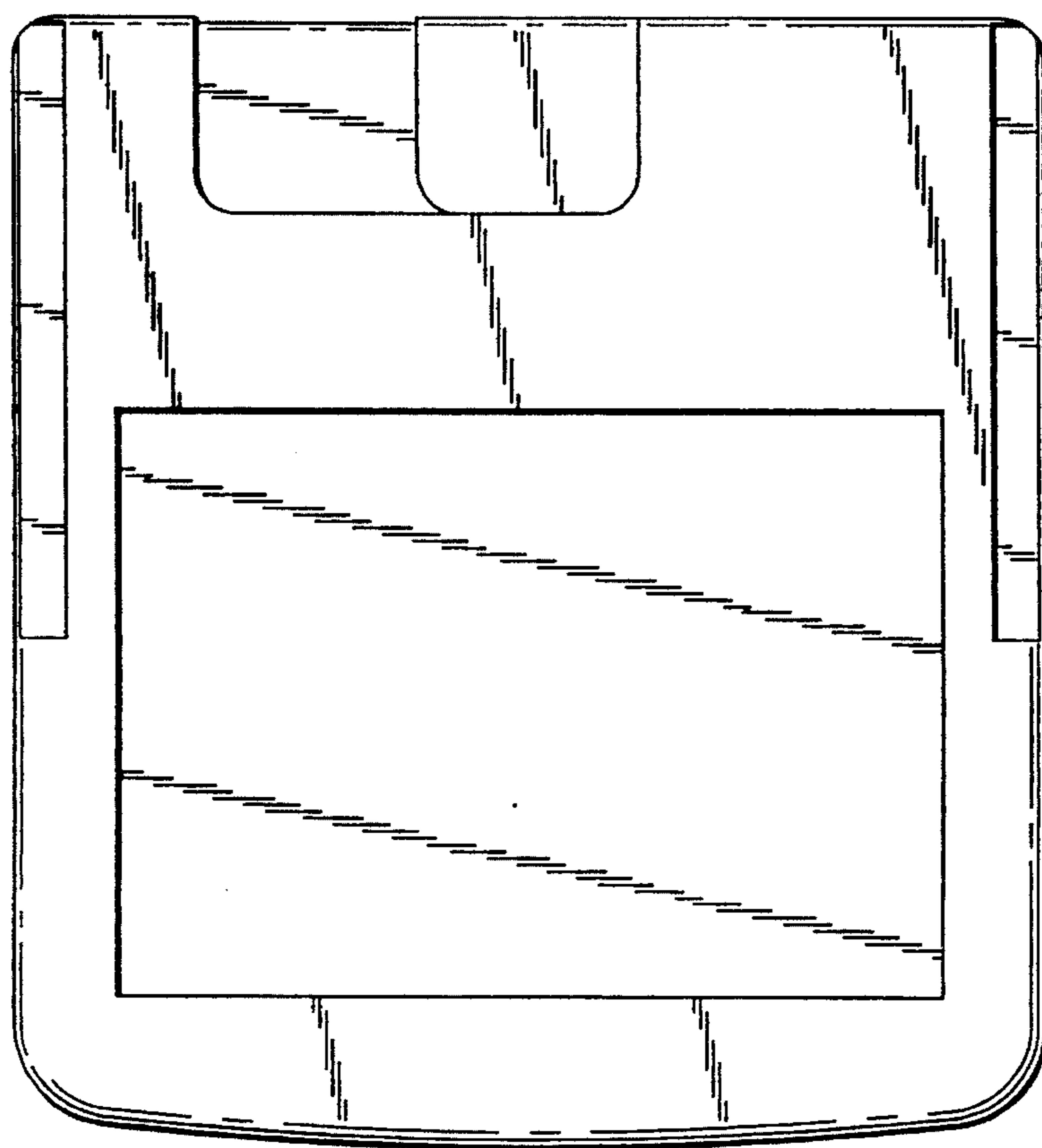
**Fig. 3**



**Fig. 4**



**Fig. 5**



**Fig. 6**