



US00D363065S

United States Patent [19]

[11] Patent Number: **Des. 363,065**

Karten et al.

[45] Date of Patent: ****Oct. 10, 1995**

[54] **MONITOR ARM**

[75] Inventors: **Stuart Karten, Venice; Dennis Schroeder, Hermosa Beach, both of Calif.**

[73] Assignee: **Rubbermaid Office Products Inc., Maryville, Tenn.**

[**] Term: **14 Years**

[21] Appl. No.: **29,805**

[22] Filed: **Oct. 17, 1994**

[52] U.S. Cl. **D14/114**

[58] Field of Search D14/100, 114; D6/449, 491, 445, 396, 511-512, 495; 248/125, 127, 133, 178-179, 183, 188.1, 188.2, 346, 371, 395, 917-924, 283, 231.7; 200/5 R, 5 A, 6 R, 6 A; 361/679-686; D13/184, 199

Pp. 16 and 17, Monitor arms; Curtis Manufacturing Company, Inc., 30 Fitzgerald Drive, Jaffrey, N.H. 03452-1931. Publication date 1993.

P. 128, Monitor arms; Misco, One Misco Plaza, Holmdel, N.J. 07733. Publication date Spring, 1993.

Catalog page, Monitor arms; Misco, One Misco Plaza, Holmdel, N.J. 07733. Publication date Spring, 1993.

Pp. 80 and 81, Monitor arms; Global Computer Supplies, 2318 East Del Amo Boulevard, Dept. 34, Compton, Calif. 90220. Publication date Oct., 1992.

Catalog page, Monitor stand; MicroComputer Accessories Inc., 5405 Jandy Place, P.O. Box 66911, Los Angeles, Calif. 90066. Publication date 1990, (CRT Riser).

Catalog page, Monitor stand; MicroComputer Accessories Inc., 5405 Jandy Place, P.O. Box 66911, Los Angeles, Calif. 90066. Publication date 1990, (CRT Stand).

Catalog page, Monitor stand; MicroComputer Accessories Inc., 5405 Jandy Place, P.O. Box 66911, Los Angeles, Calif. 90066. Publication date 1990, (Panel System).

(List continued on next page.)

[56] **References Cited**

U.S. PATENT DOCUMENTS

D. 275,431	9/1984	Usab	D6/429
D. 311,829	11/1990	Vossoughi	D6/418
D. 325,868	5/1992	Bartok	D8/380
D. 331,921	12/1992	Gutke et al.	D14/114
D. 342,173	12/1993	Kirchner et al.	D6/511
4,453,689	6/1984	Ellis et al.	248/288.1
4,561,619	12/1985	Robillard et al.	248/285
4,562,987	1/1986	Leeds et al.	248/278
4,591,122	5/1986	Kreuzer	248/280.1
4,620,808	11/1986	Kurtin et al.	400/83
4,687,167	8/1987	Skalka et al.	248/282
4,691,886	9/1987	Wendling et al.	248/183
4,974,808	12/1990	Ball	248/917
5,033,707	7/1991	Strater et al.	248/284
5,123,621	6/1992	Gates	248/281.1
5,240,215	8/1993	Moore	248/278
5,277,392	1/1994	Rossmann et al.	248/919 X
5,398,901	3/1995	Brodmann et al.	248/921 X

OTHER PUBLICATIONS

Magazine page, Monitor arm; Anthro Technology Furniture, 3221 N.W. Yeon Street, Portland, Oreg. 97210. Published in "Design News" of Mar. 13, 1989.

Primary Examiner—Melanie H. Tung
Attorney, Agent, or Firm—Richard B. O'Planick; Lisa B. Riedesel

[57] **CLAIM**

The ornamental design for a monitor arm, as shown and described.

DESCRIPTION

FIG. 1 is a top, right, front perspective view of a monitor arm showing our new design, the broken line drawings of the nut and washer and the screw and shank are for illustrative purposes only and form no part of the claimed design;

FIG. 2 is a right side elevational view thereof; the left side elevational view being a mirror image;

FIG. 3 is a top plan view thereof;

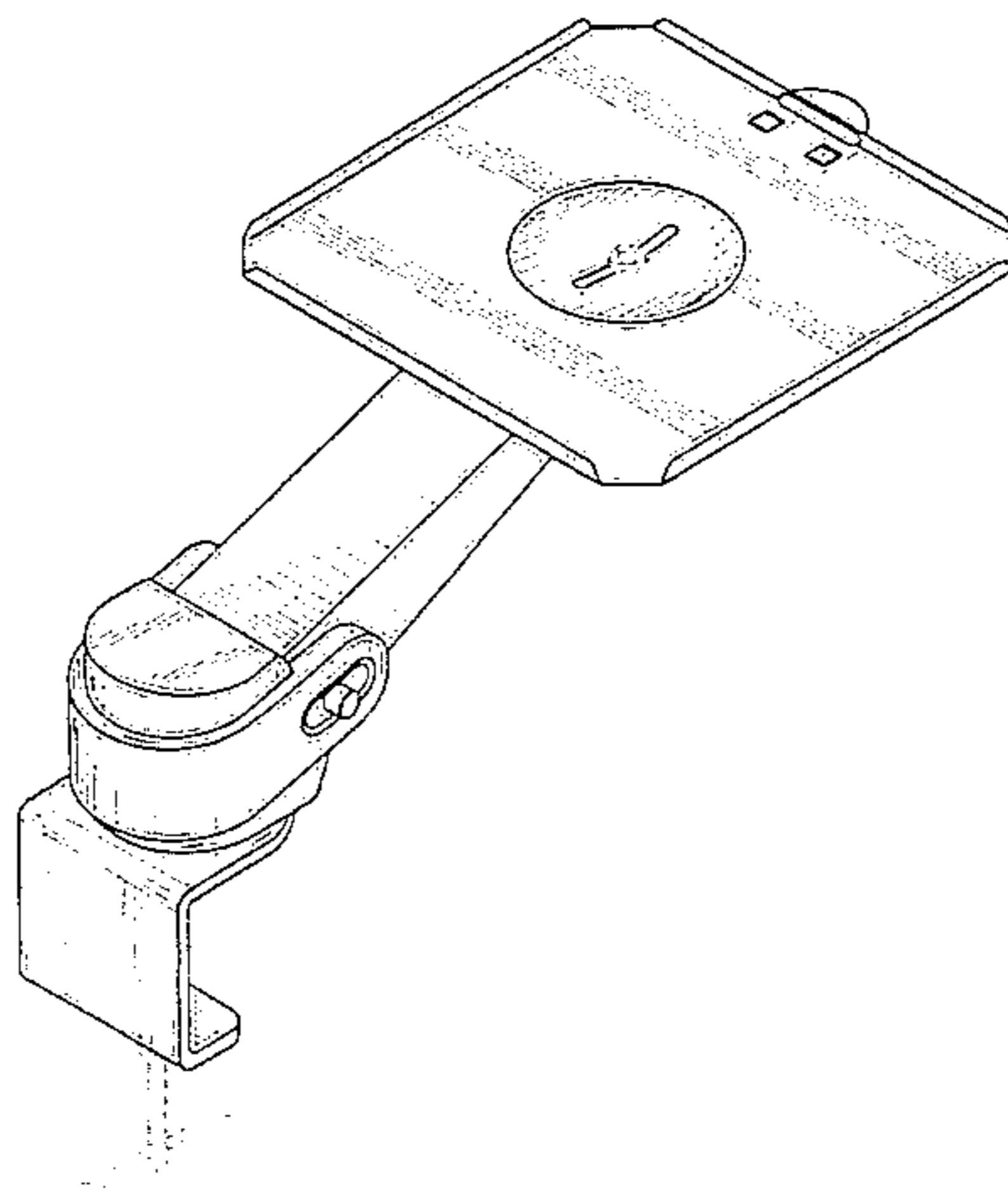
FIG. 4 is a rear elevational view thereof;

FIG. 5 is a bottom plan view thereof; and,

FIG. 6 is a front elevational view thereof.

The broken line drawing of a nut and washer in FIG. 3 and the screw and shank in FIGS. 2-6 are for illustrative purposes only and form no part of the claimed design.

1 Claim, 6 Drawing Sheets



OTHER PUBLICATIONS

Catalog page, Monitor stand; MicroComputer Accessories Inc., 5405 Jandy Place, P.O. Box 66911, Los Angeles, Calif. 90066. Publication date 1990. (CRT Valet).

Catalog page, Monitor stand; MicroComputer Accessories Inc., 5405 Jandy Place, P.O. Box 66911, Los Angeles, Calif. 90066. Publication date 1990. (Full Flex Valet).

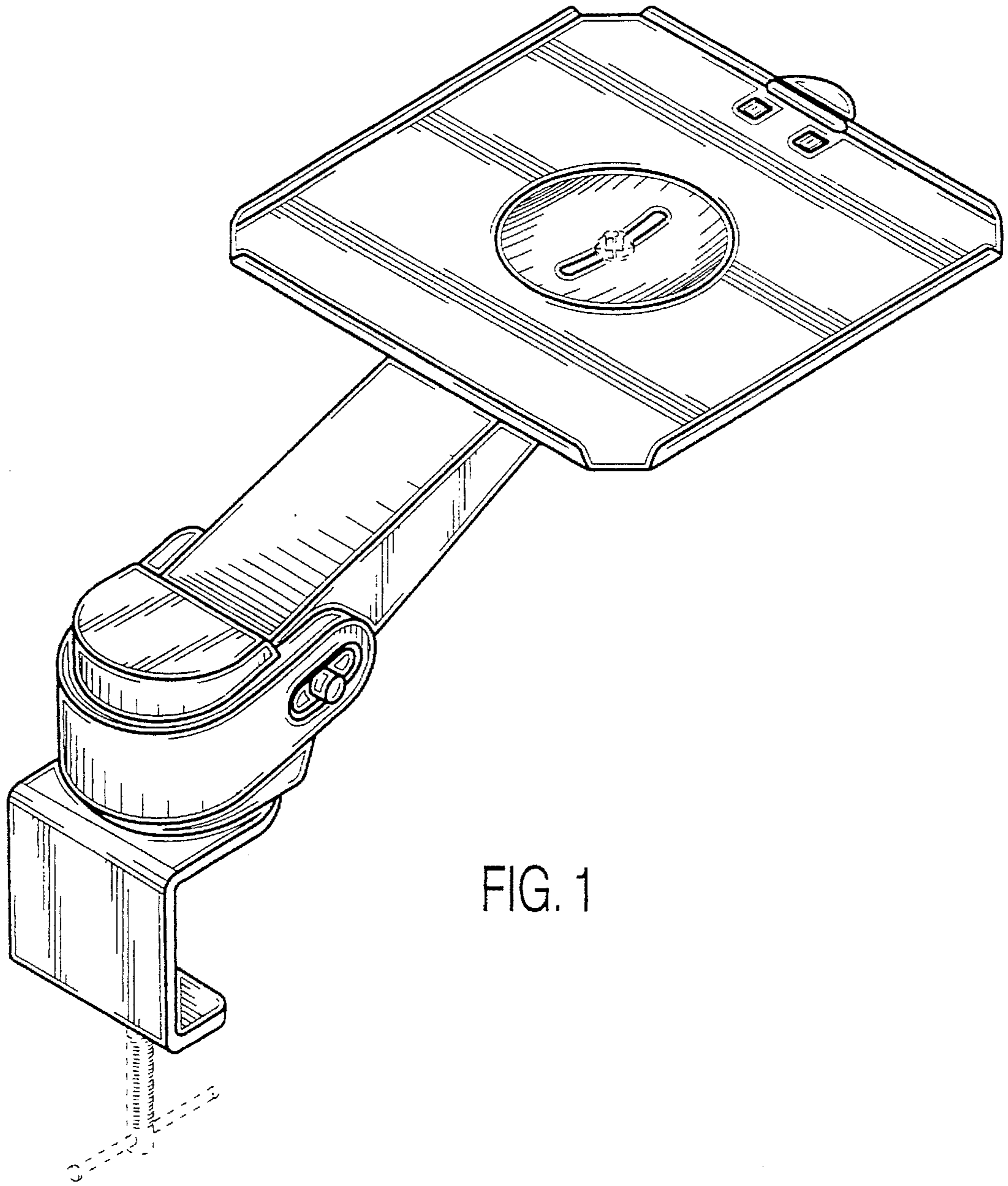


FIG. 1

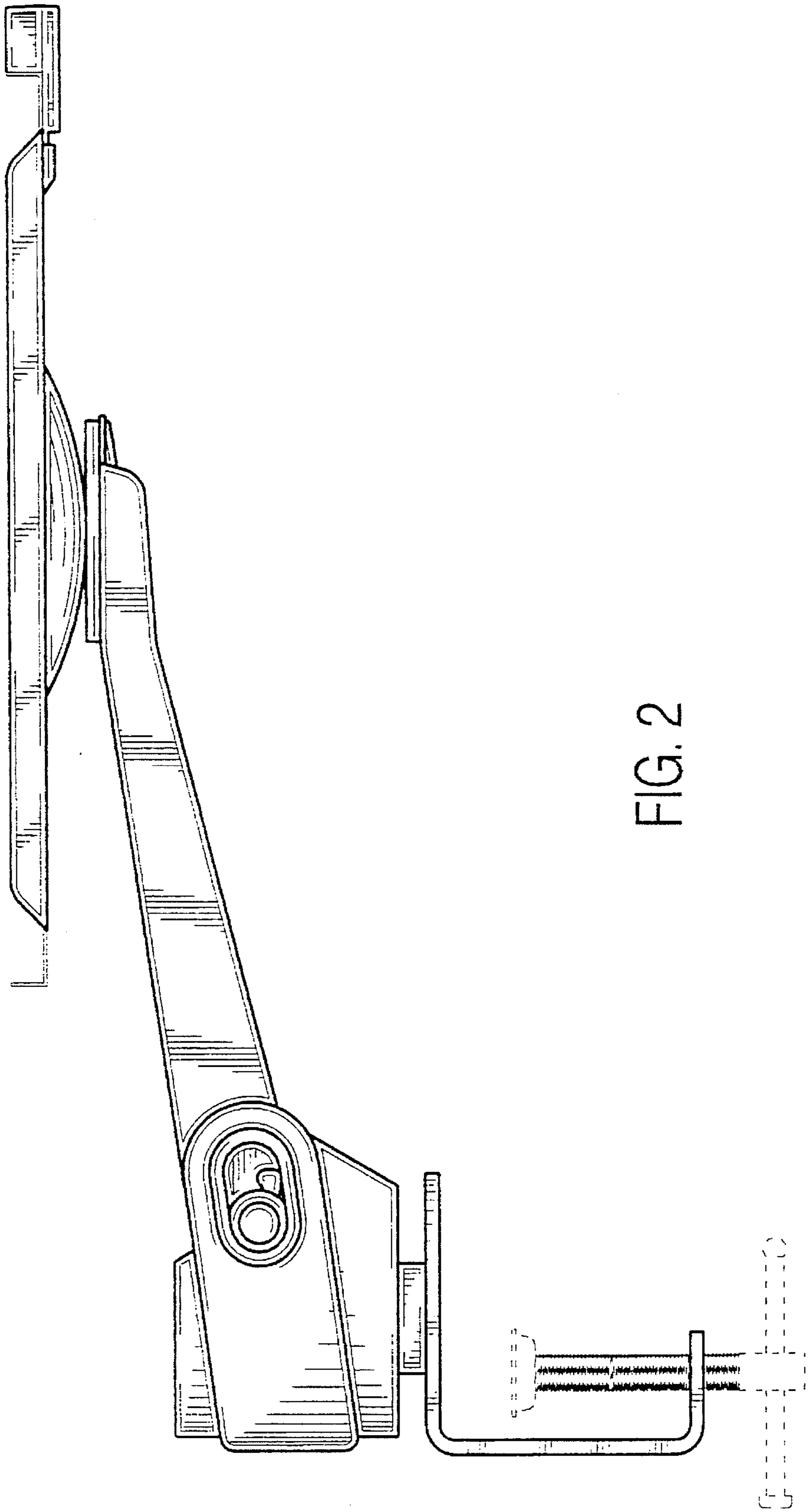


FIG. 2

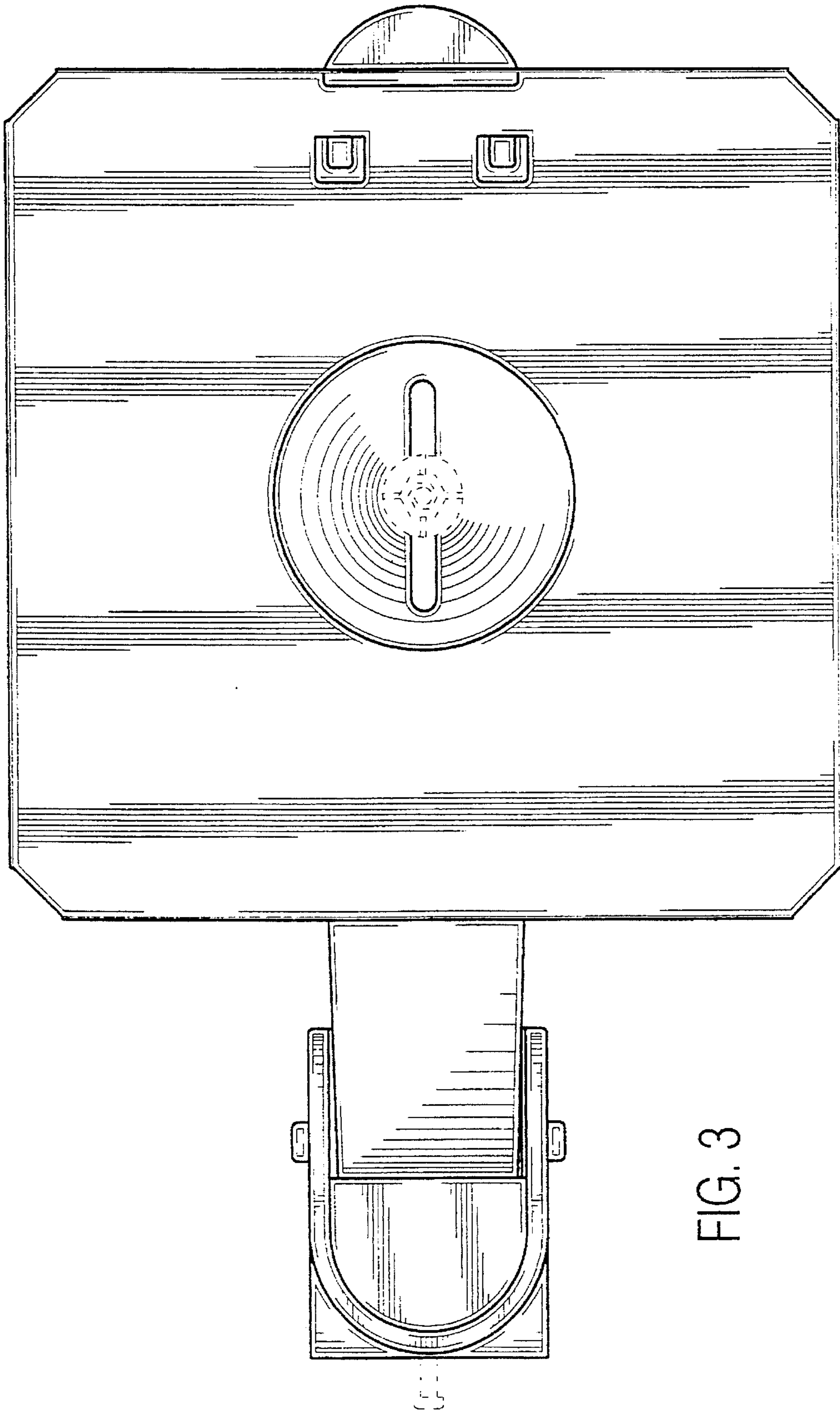


FIG. 3

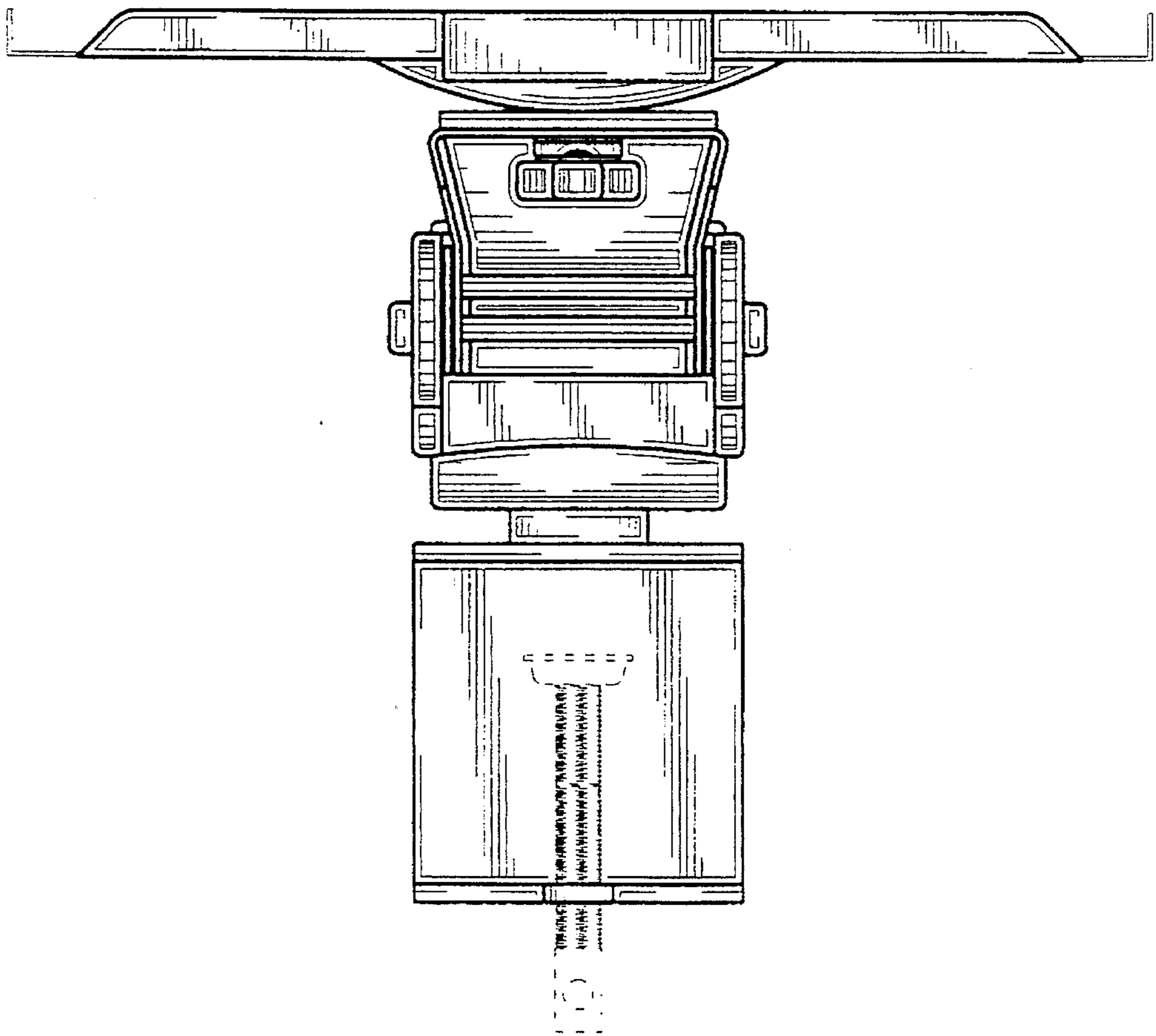


FIG. 4

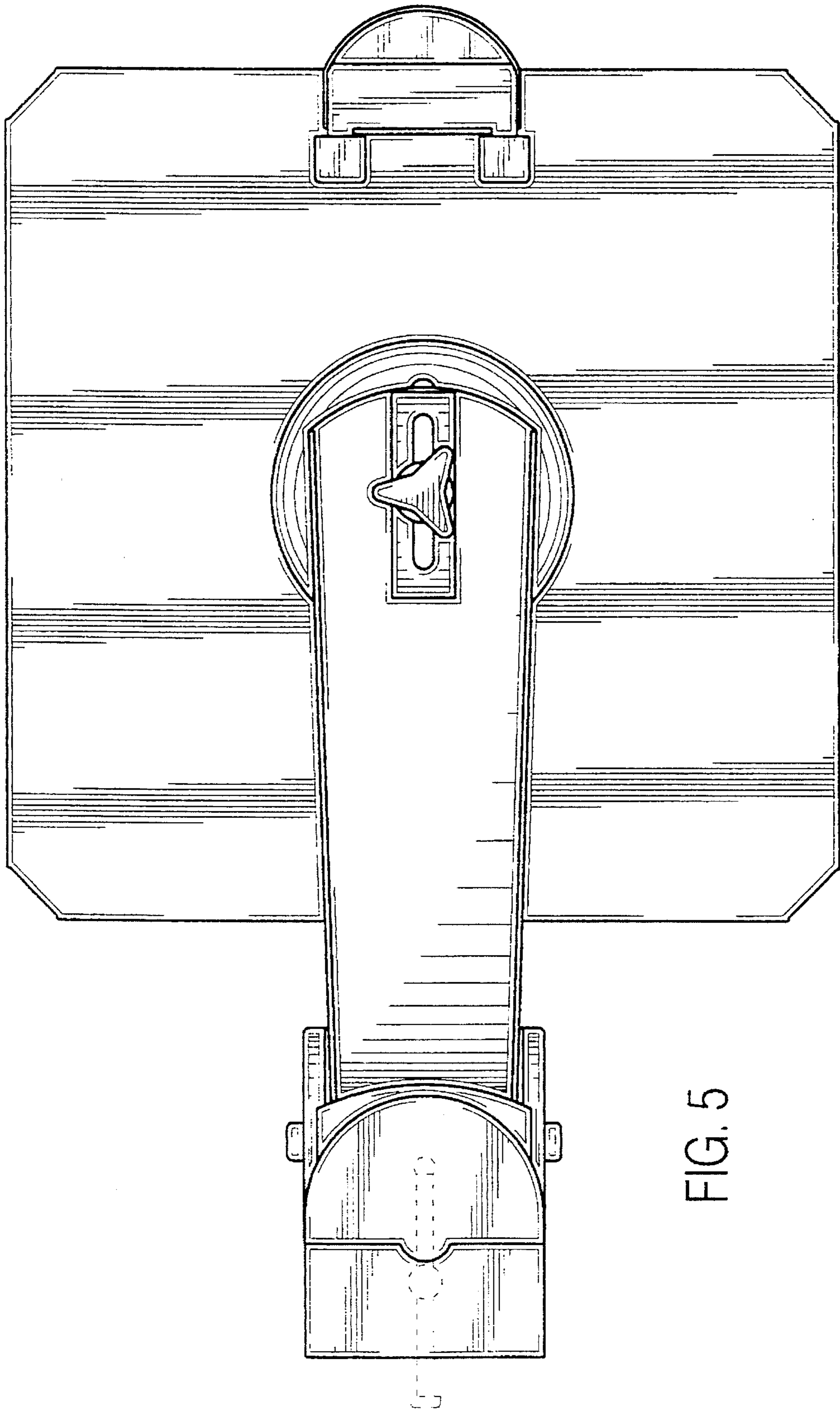


FIG. 5

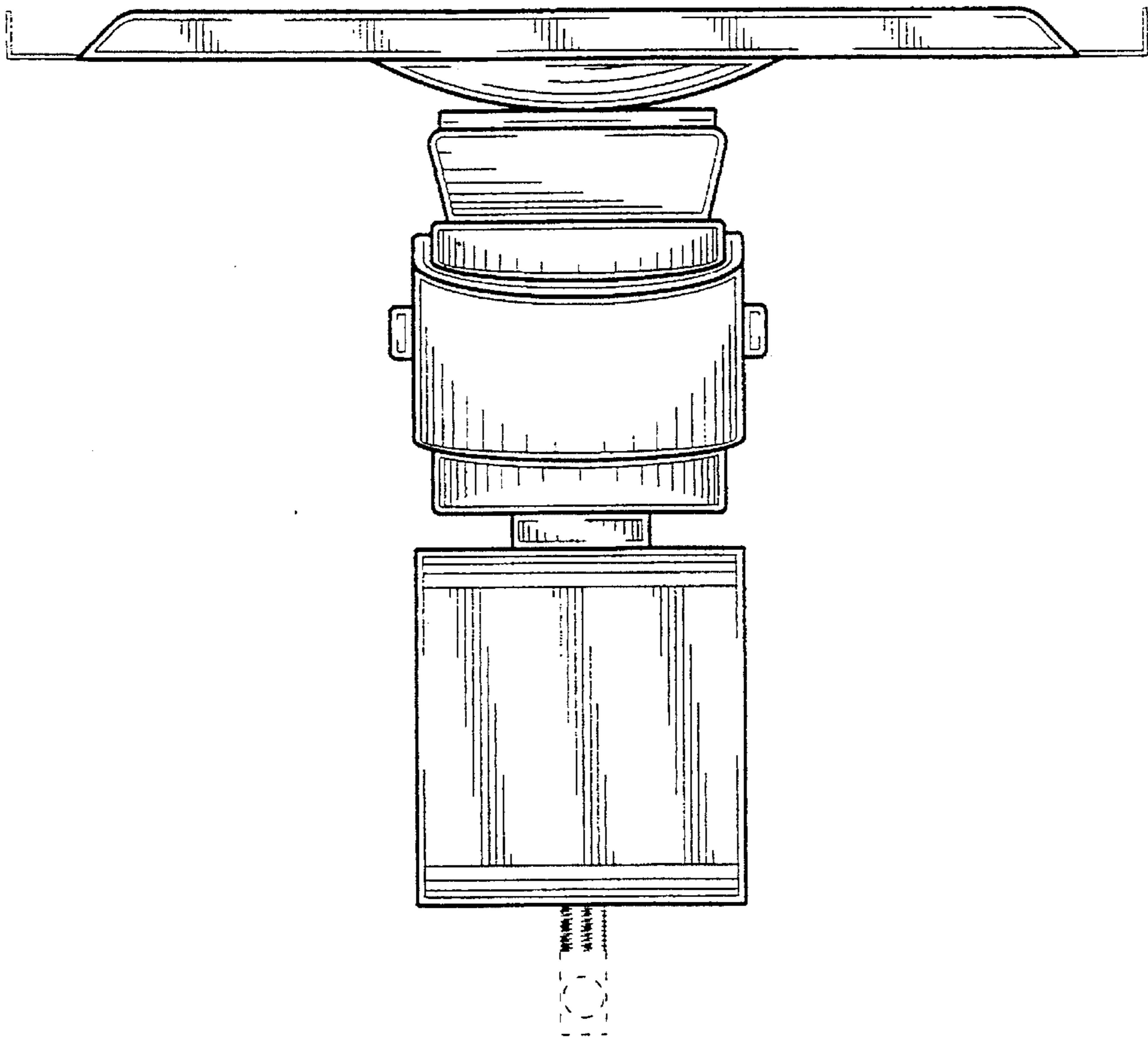


FIG. 6