



US00D363061S

United States Patent [19]

[11] Patent Number: **Des. 363,061**

Felde et al.

[45] Date of Patent: ****Oct. 10, 1995**

- [54] **FRONT PANEL FOR TAPE DRIVE AND ASSOCIATED POWER UNIT**
- [75] Inventors: **Steven L. Felde; Jay E. Lee; Hsifu Wang**, all of Tucson, Ariz.
- [73] Assignee: **International Business Machines Corporation**, Armonk, N.Y.
- [**] Term: **14 Years**
- [21] Appl. No.: **14,184**
- [22] Filed: **Oct. 14, 1993**
- [52] U.S. Cl. **D14/115**
- [58] **Field of Search** D14/100, 102, D14/107-109, 115, 257, 258; D13/162, 184, 199, 123; 312/223.2; 358/249, 254; 361/600, 622, 724-728

- D. 313,982 1/1991 Eilert et al. D14/115
- D. 335,492 5/1993 Sharp D14/115
- D. 340,046 10/1993 Chu D14/115
- D. 349,494 8/1994 Aderman et al. D14/115

Primary Examiner—Freda Nunn
Attorney, Agent, or Firm—D. A. Shifrin

[57] CLAIM

The ornamental design for a front panel for a tape drive and associated power unit, as shown.

DESCRIPTION

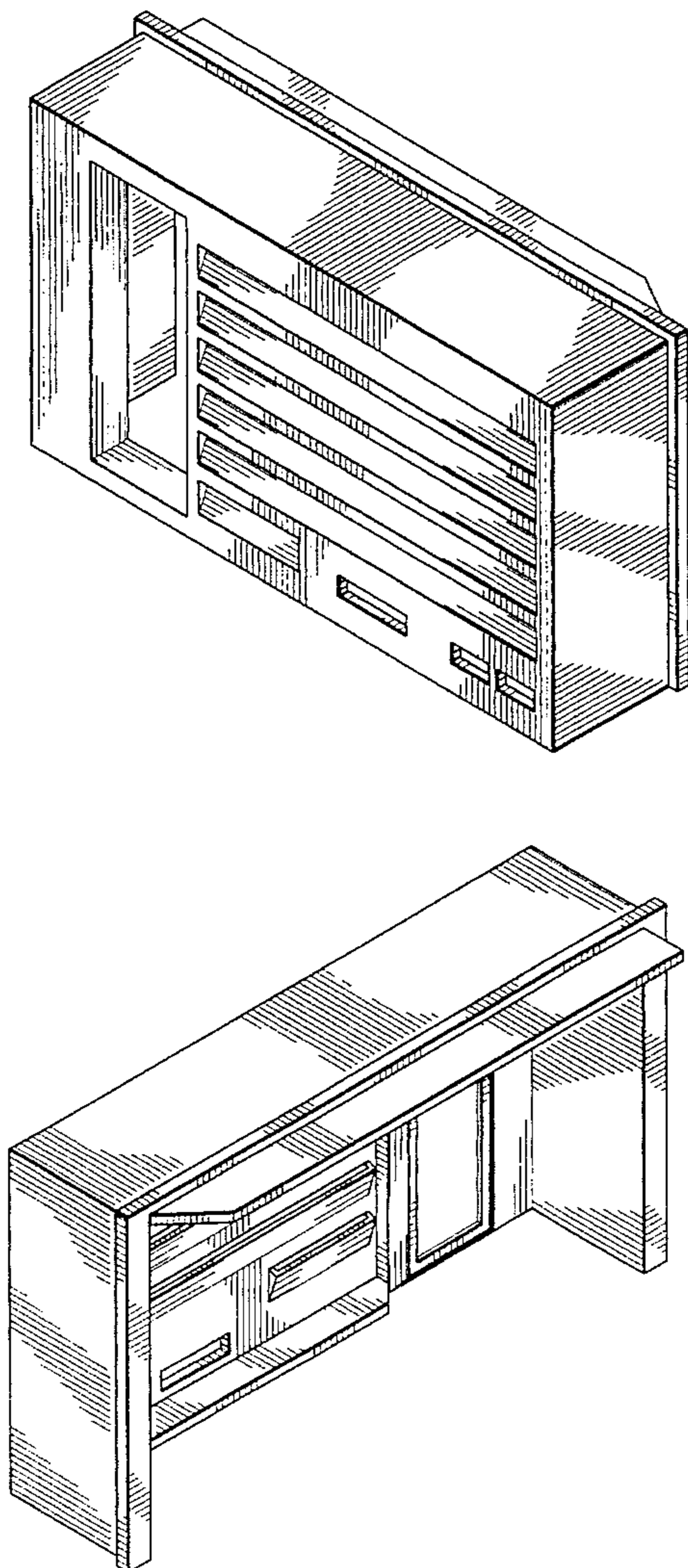
FIG. 1 is a top front and right side perspective view of a front panel for a tape drive and associated power unit; FIG. 2 is a top rear and right side perspective view thereof; FIG. 3 is a front elevational view thereof; FIG. 4 is a left side elevational view thereof; FIG. 5 is a right side elevational view thereof; and, FIG. 6 is a top plan view thereof.

[56] References Cited

U.S. PATENT DOCUMENTS

- D. 307,423 4/1990 Hill D14/115

1 Claim, 2 Drawing Sheets



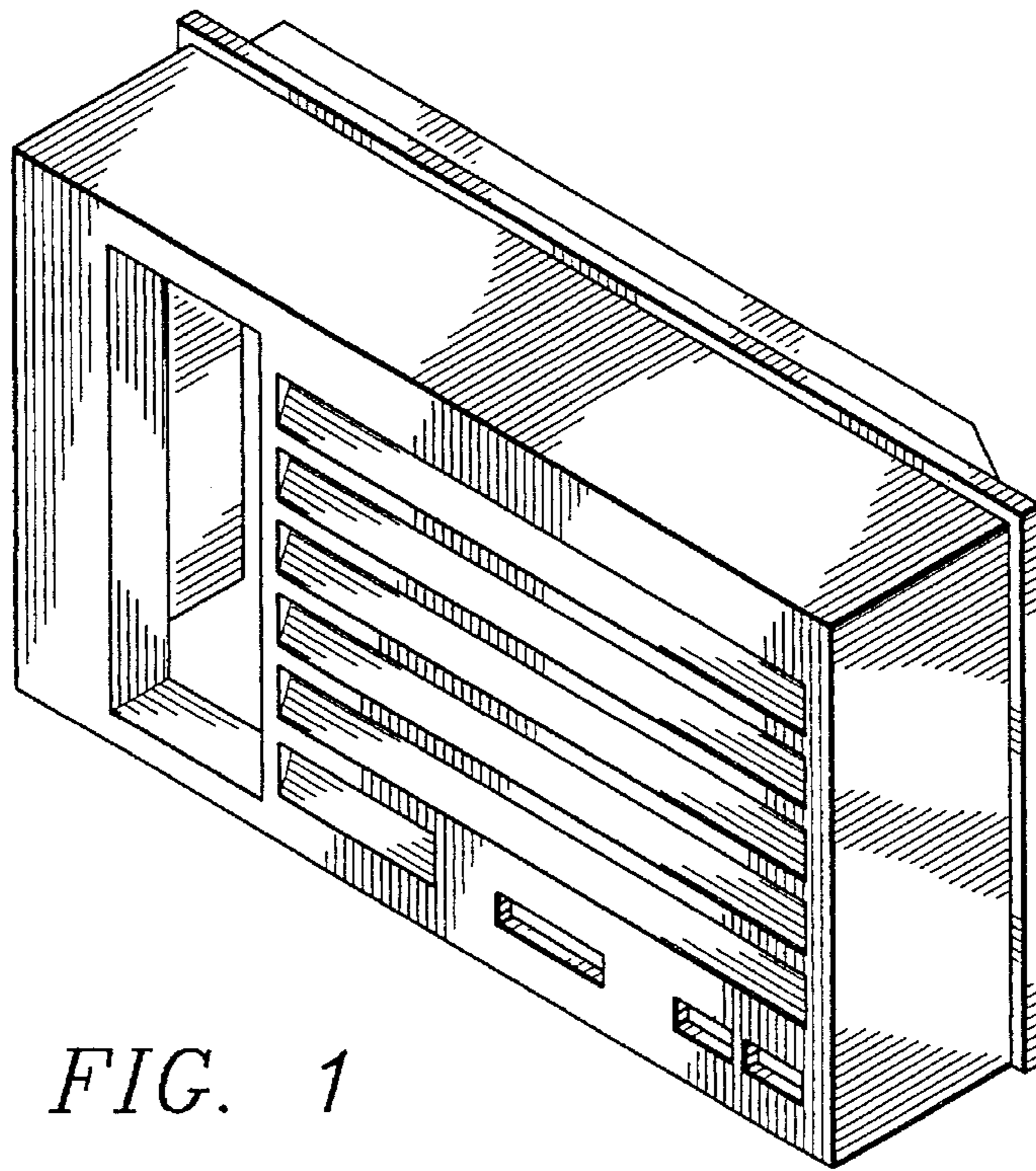


FIG. 1

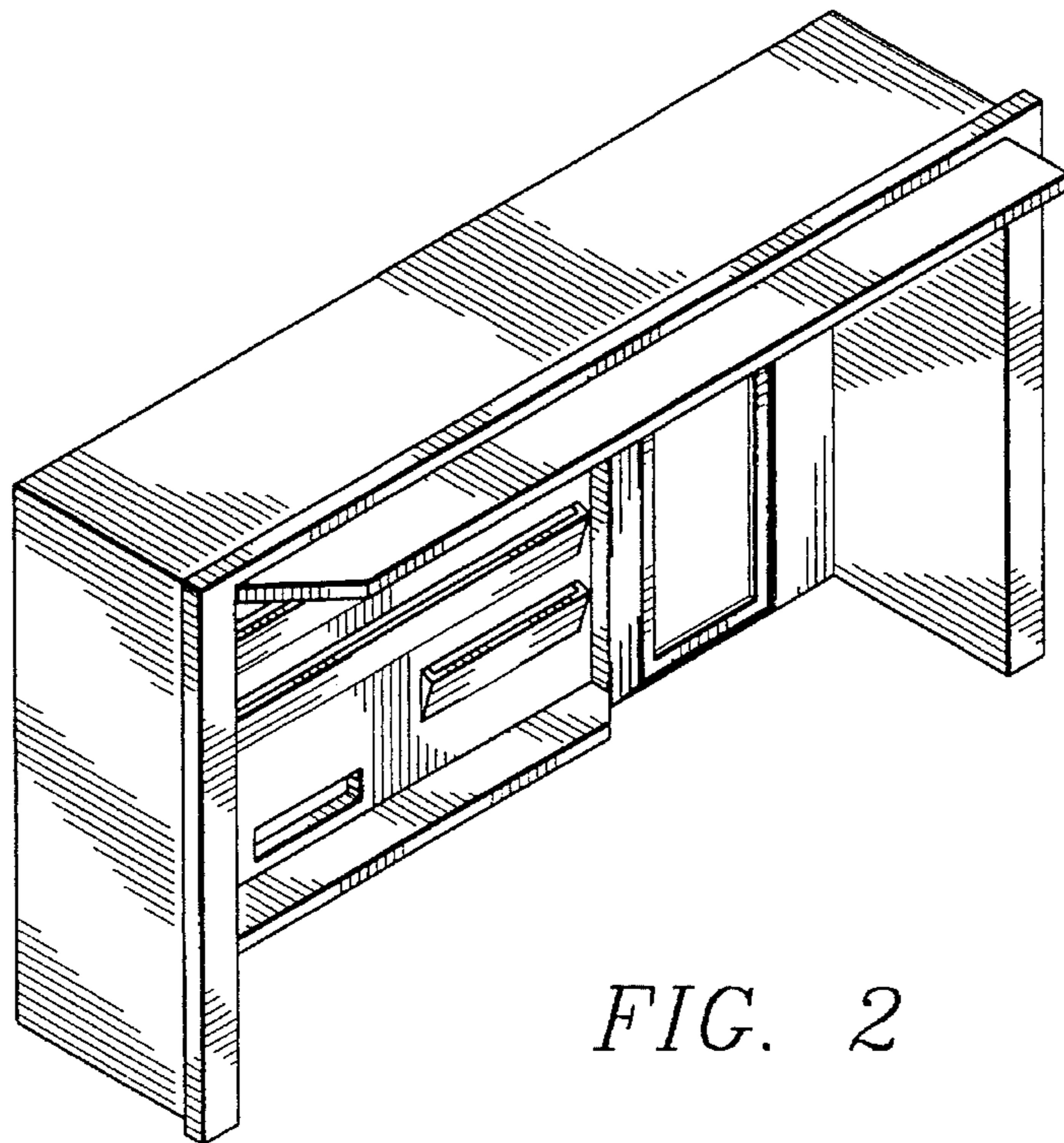


FIG. 2

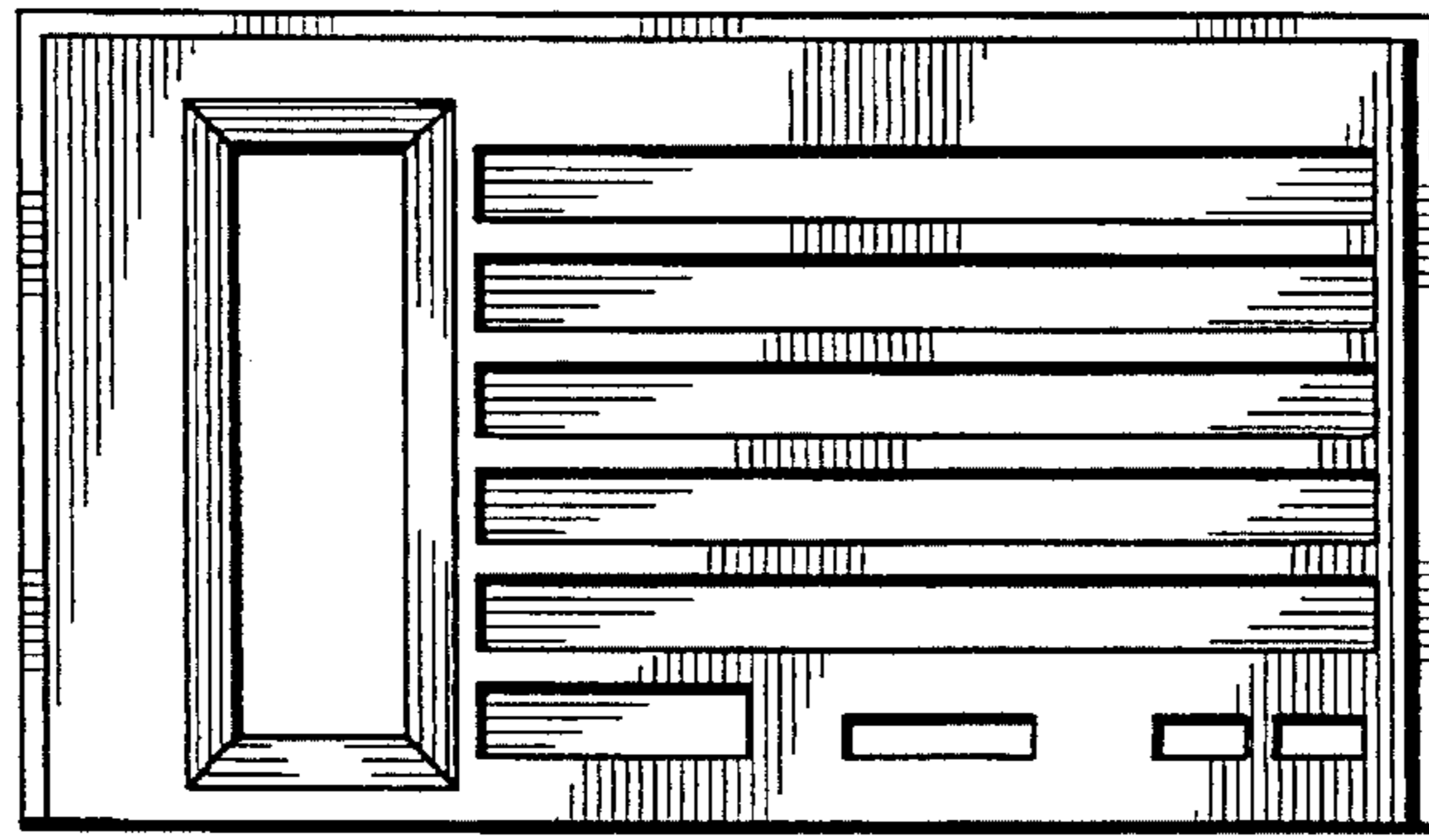


FIG. 3

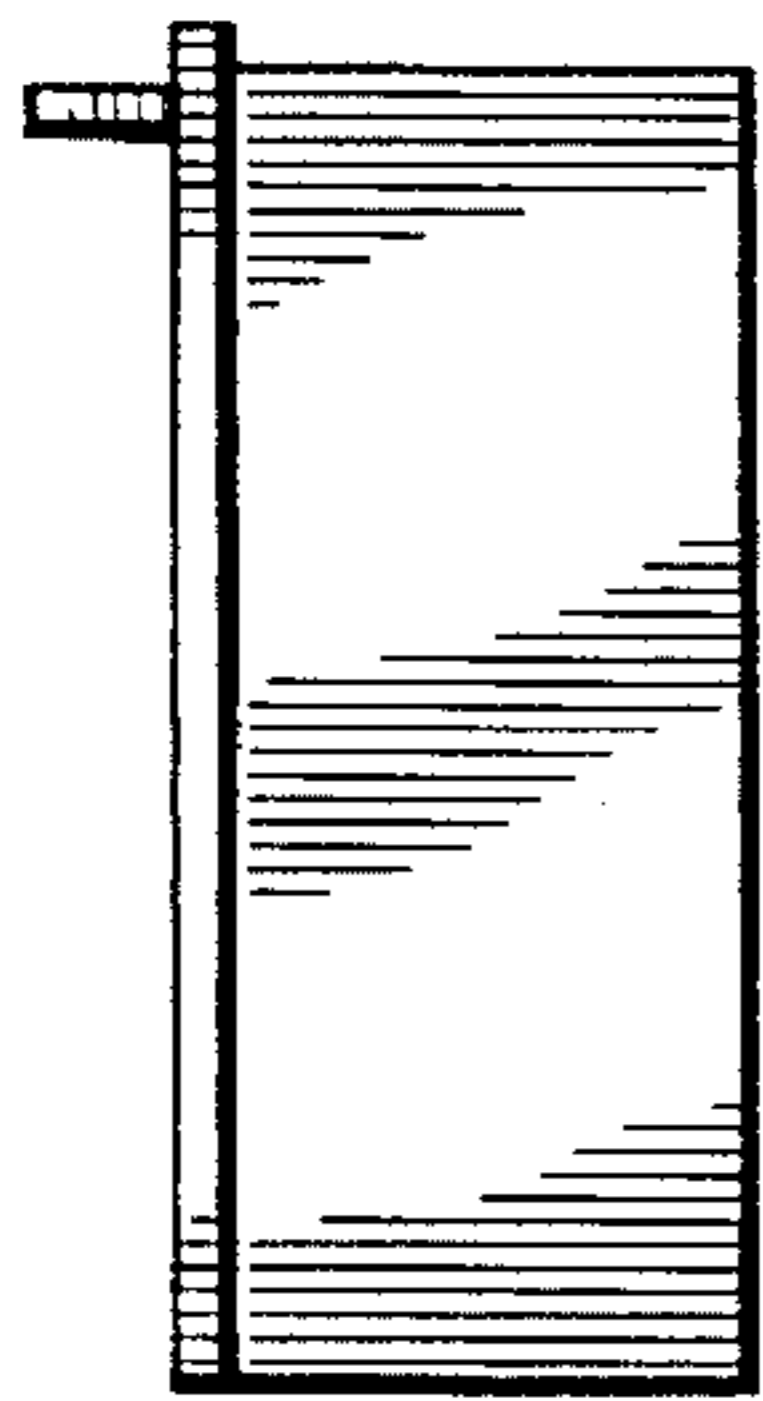


FIG. 4

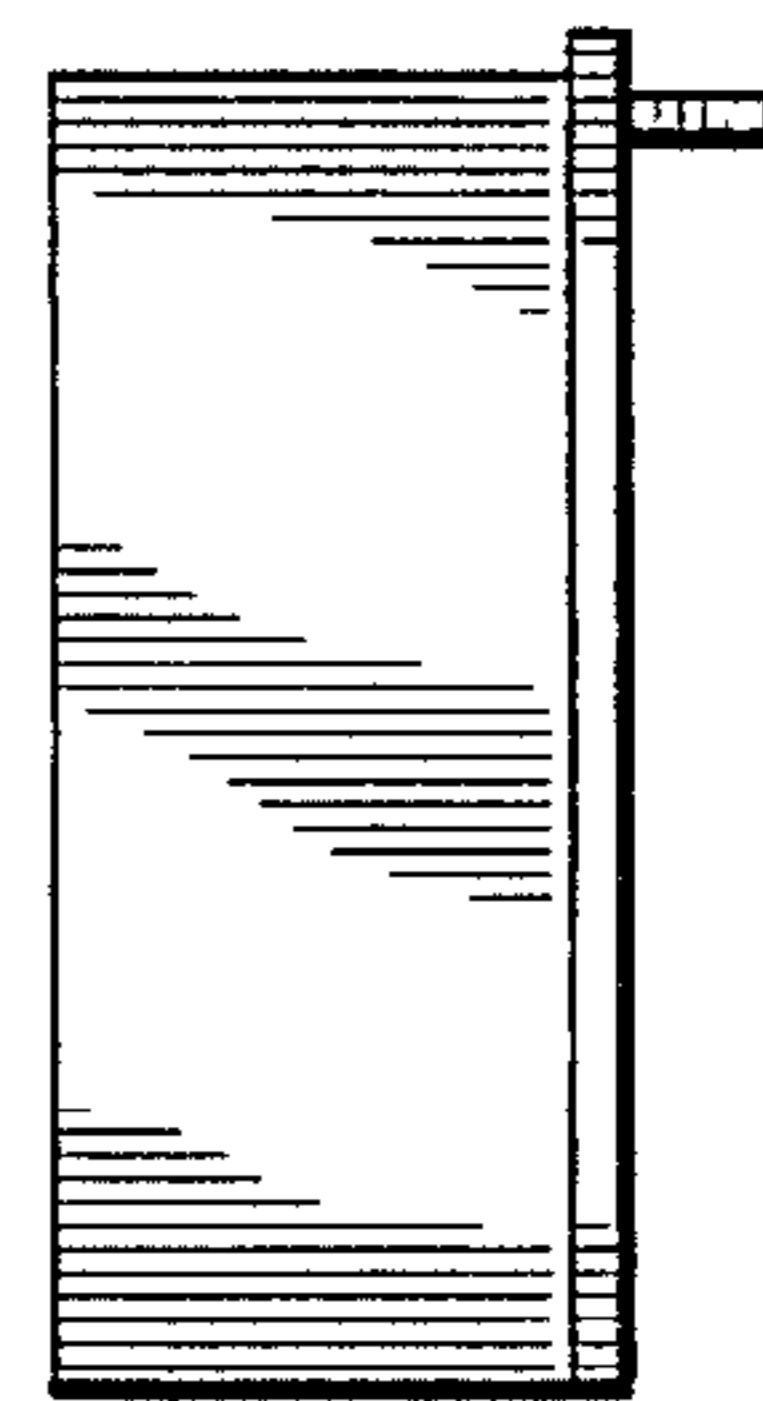


FIG. 5

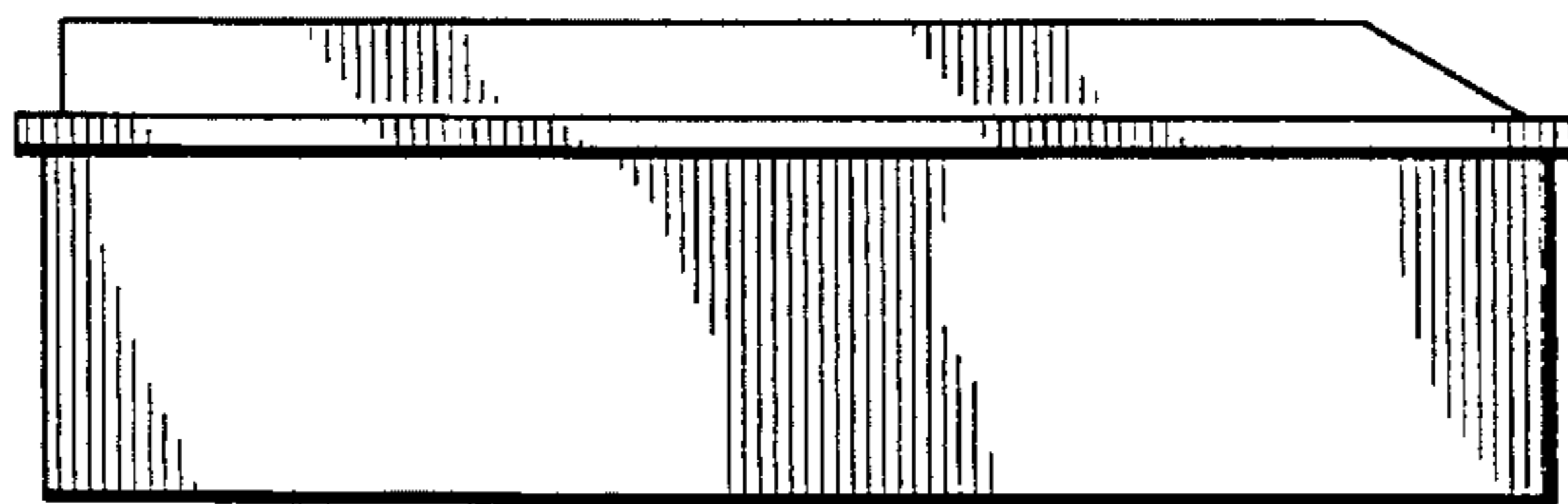


FIG. 6