



US00D363058S

# United States Patent [19]

[11] Patent Number: **Des. 363,058**

**Humphreys**

[45] Date of Patent: **\*\*Oct. 10, 1995**

[54] SWITCH FOR AN ELECTRICAL RECEPTACLE

D. 333,261 2/1993 Van Erkel ..... D11/125 X  
4,215,277 7/1980 Weiner et al. .... D13/162 X

[76] Inventor: **David W. Humphreys**, 10279 Bristol Dr., Alta Loma, Calif. 91737

*Primary Examiner*—Joel Sincavage  
*Attorney, Agent, or Firm*—Harpman & Harpman

[\*\*] Term: **14 Years**

### [57] CLAIM

[21] Appl. No.: **26,319**

The ornamental design for an electrical receptacle switch, as shown and described.

[22] Filed: **Jul. 25, 1994**

### DESCRIPTION

[52] U.S. Cl. .... **D13/142**

[58] Field of Search ..... D13/139, 140, D13/142, 158, 171; D11/125; 200/51 R, 51.11, 61.1, 298; 439/652

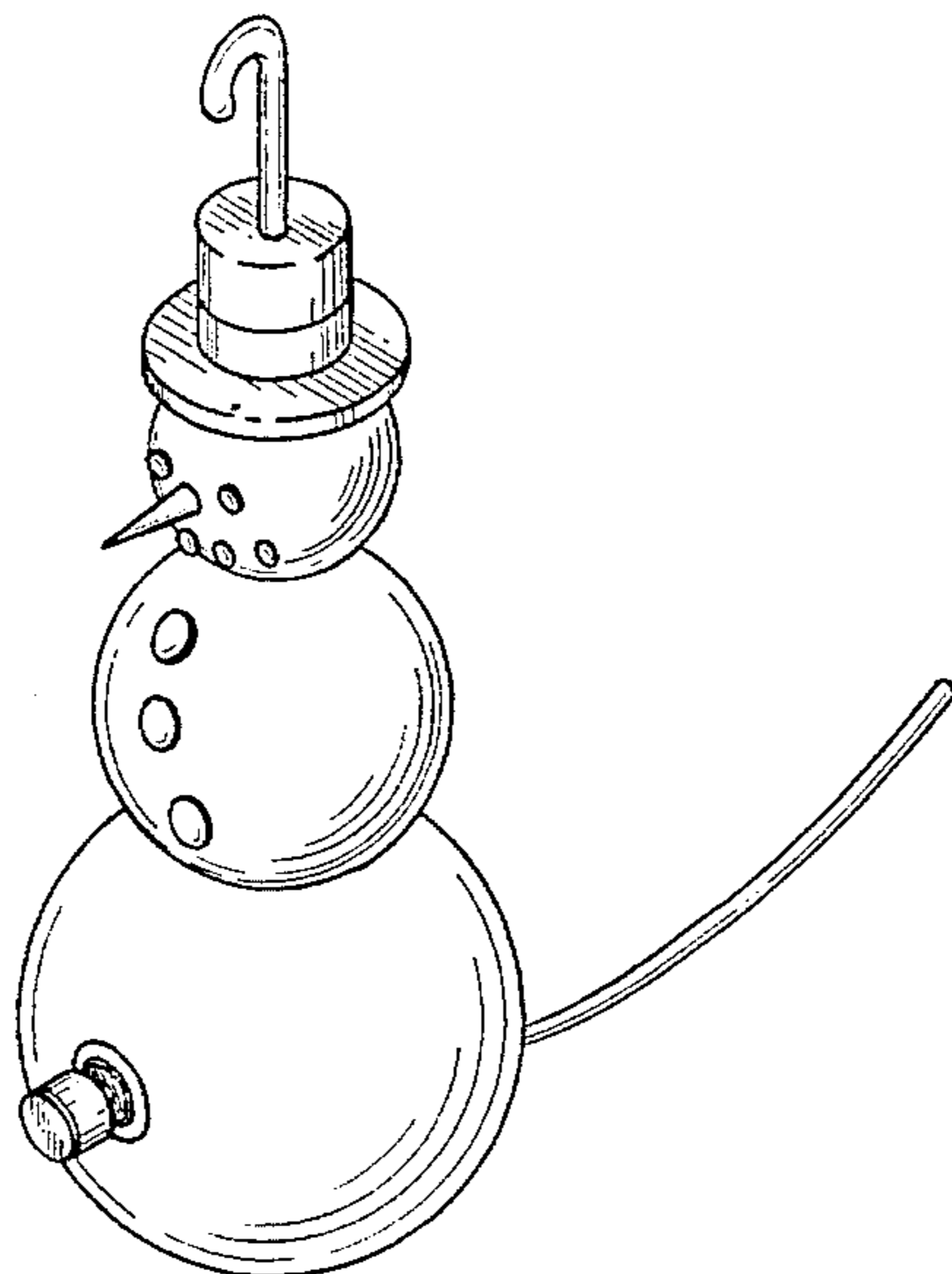
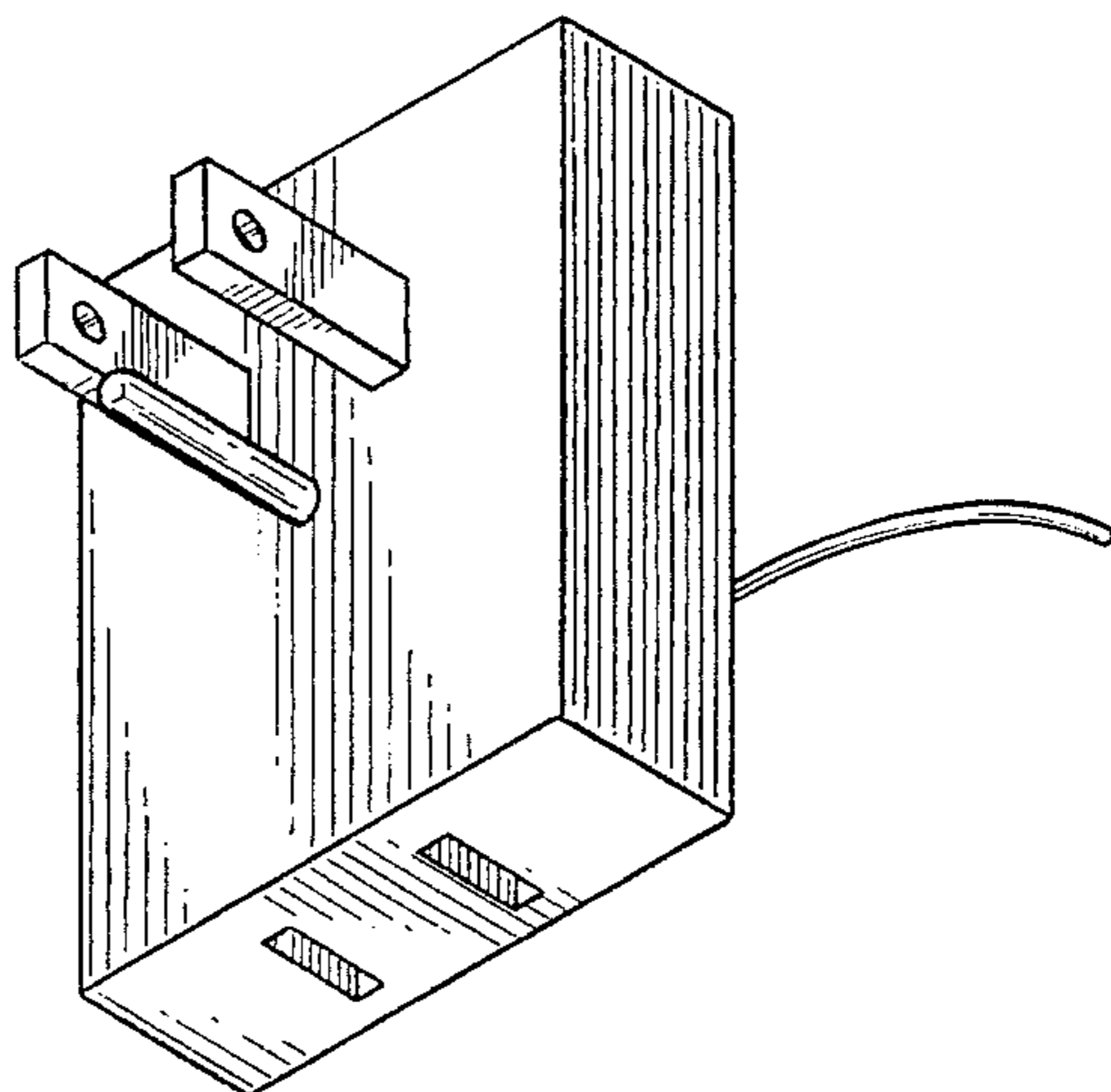
FIG. 1 is a front, top and side perspective view of the embodying the design of the present invention; FIG. 2 is a front elevational view thereof; FIG. 3 is a rear elevational view thereof; FIG. 4 is a side elevational view thereof; FIG. 5 is a top plan view thereof; and, FIG. 6 is a bottom plan view thereof.

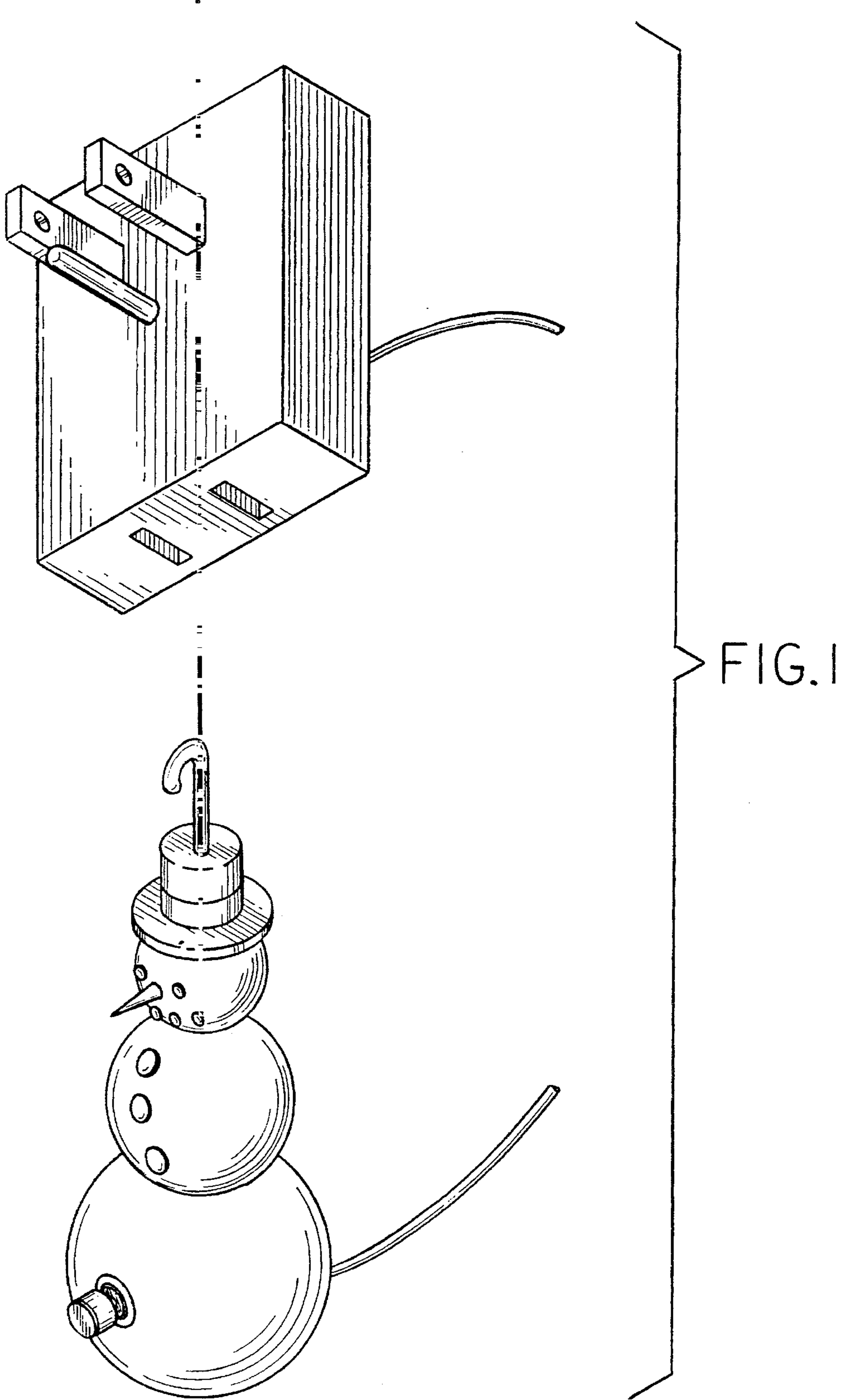
### [56] References Cited

#### U.S. PATENT DOCUMENTS

D. 249,027 8/1978 Dibble ..... D11/125  
D. 315,894 4/1991 Giannini ..... D13/171

**1 Claim, 3 Drawing Sheets**





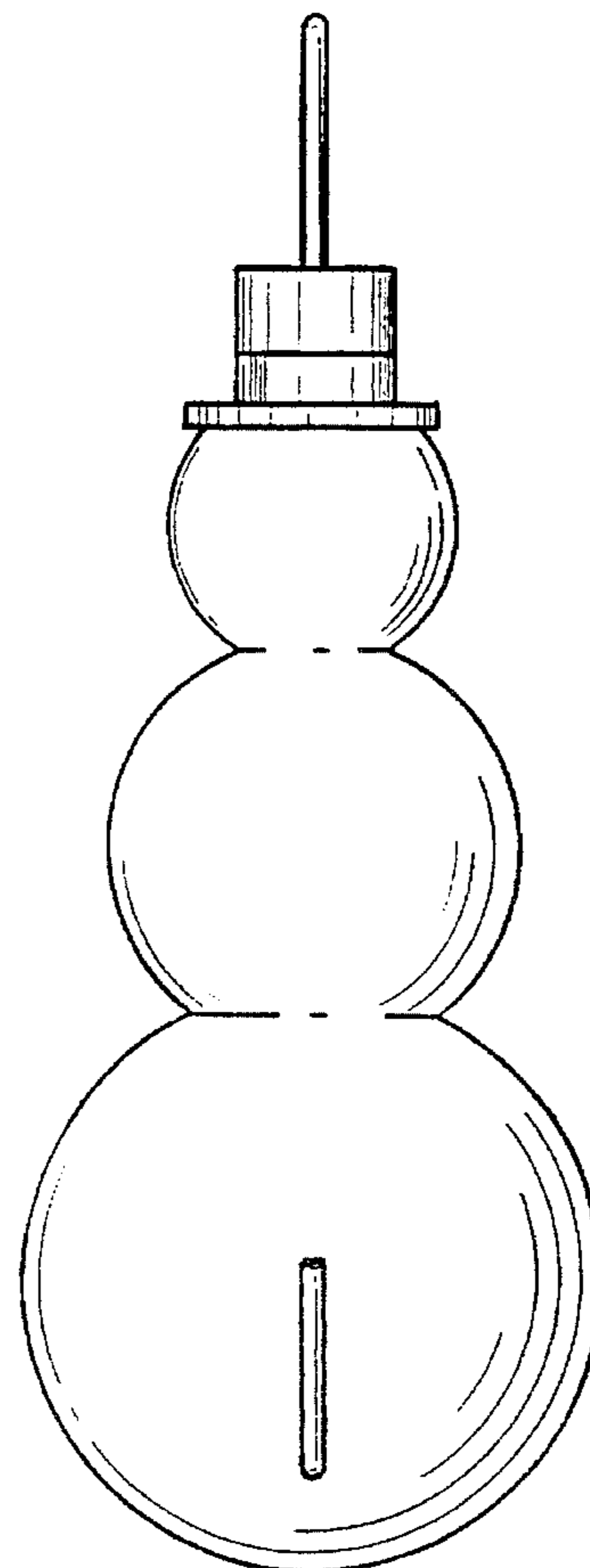
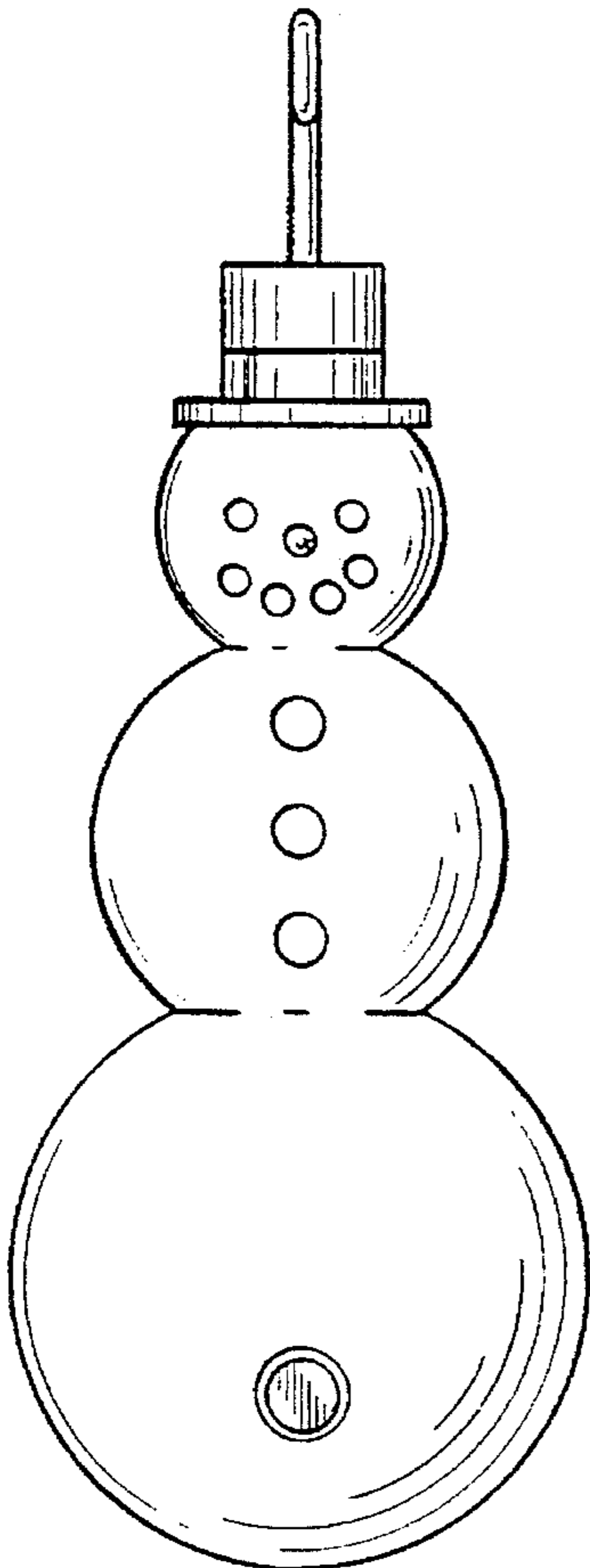
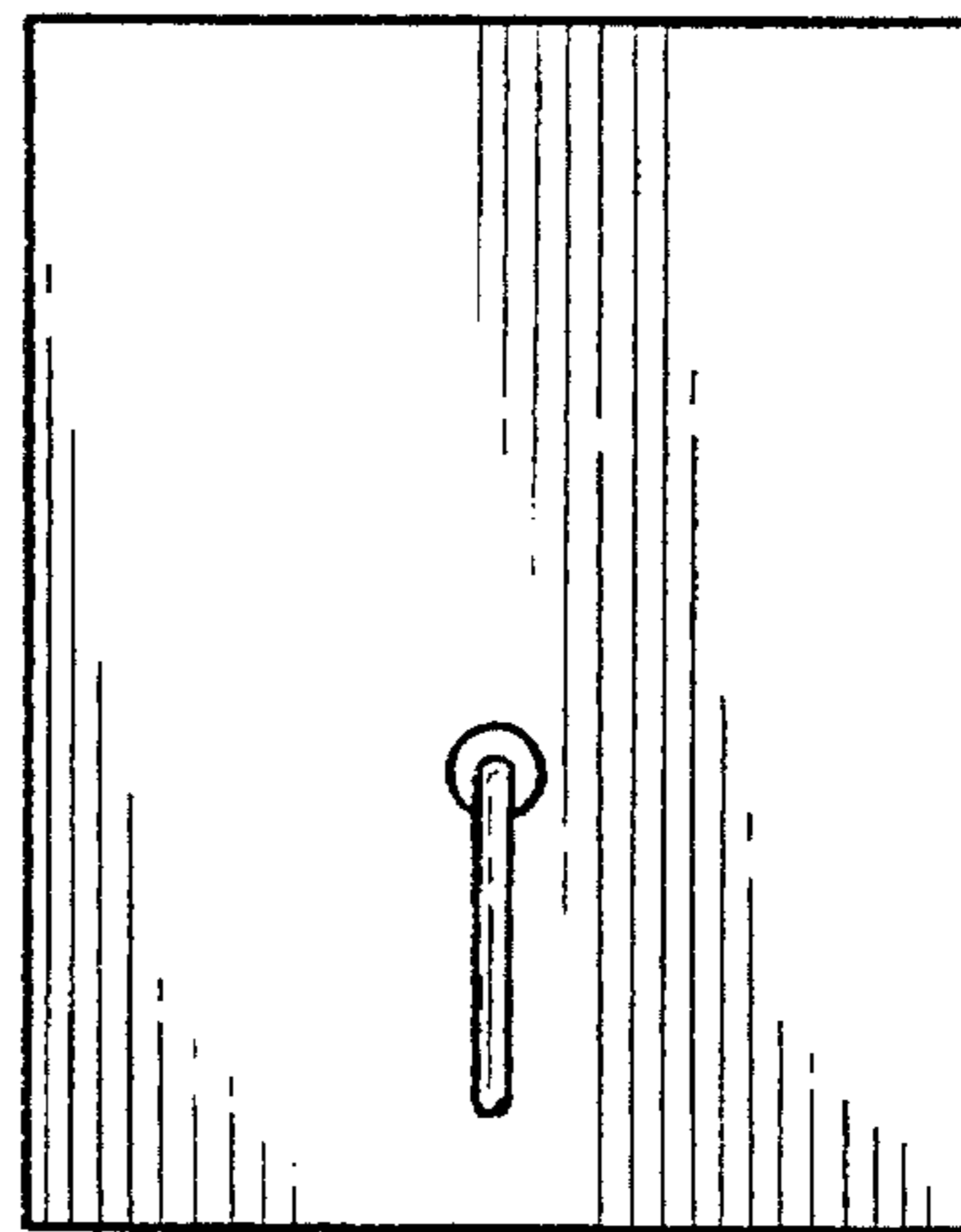
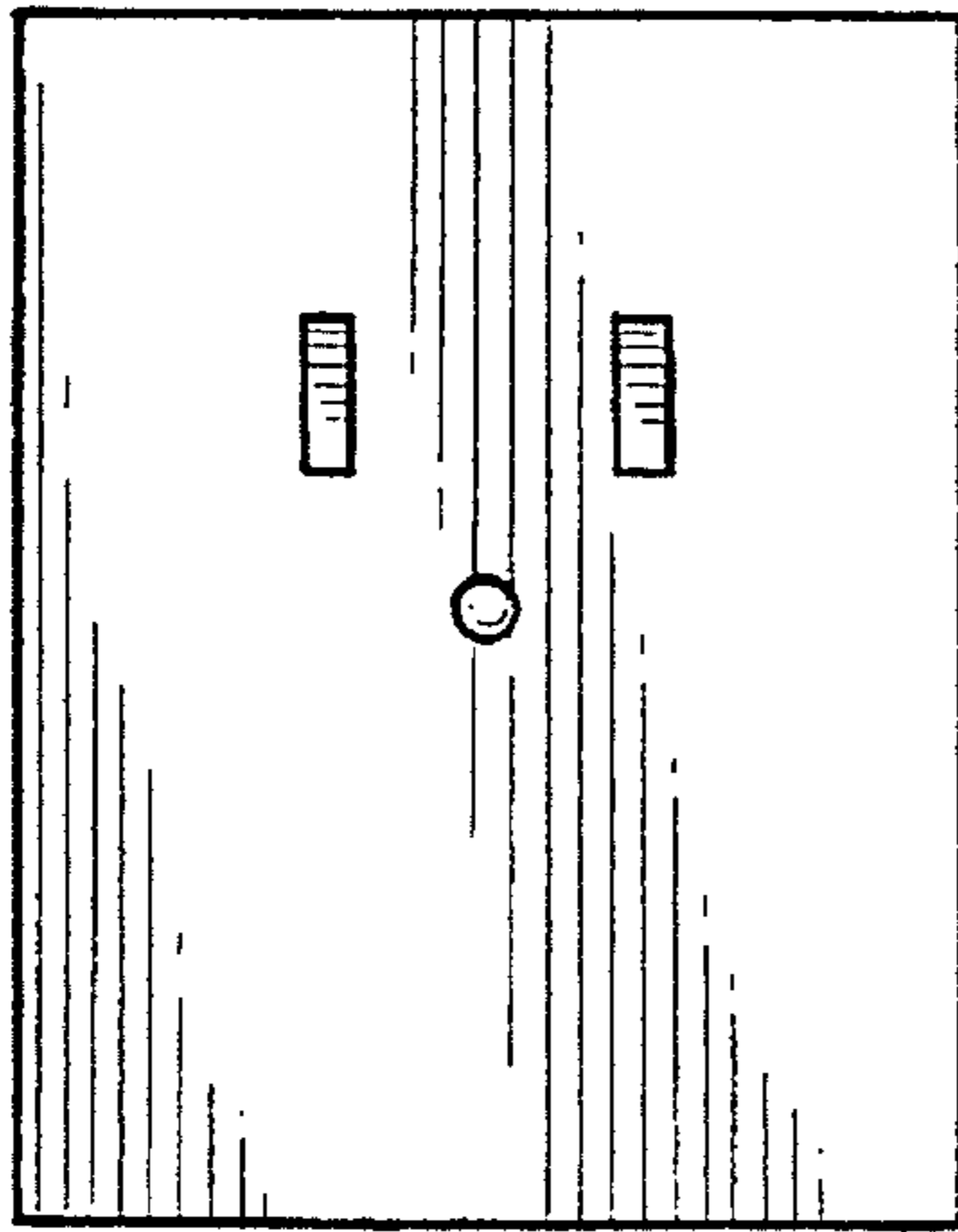


FIG. 2

FIG. 3

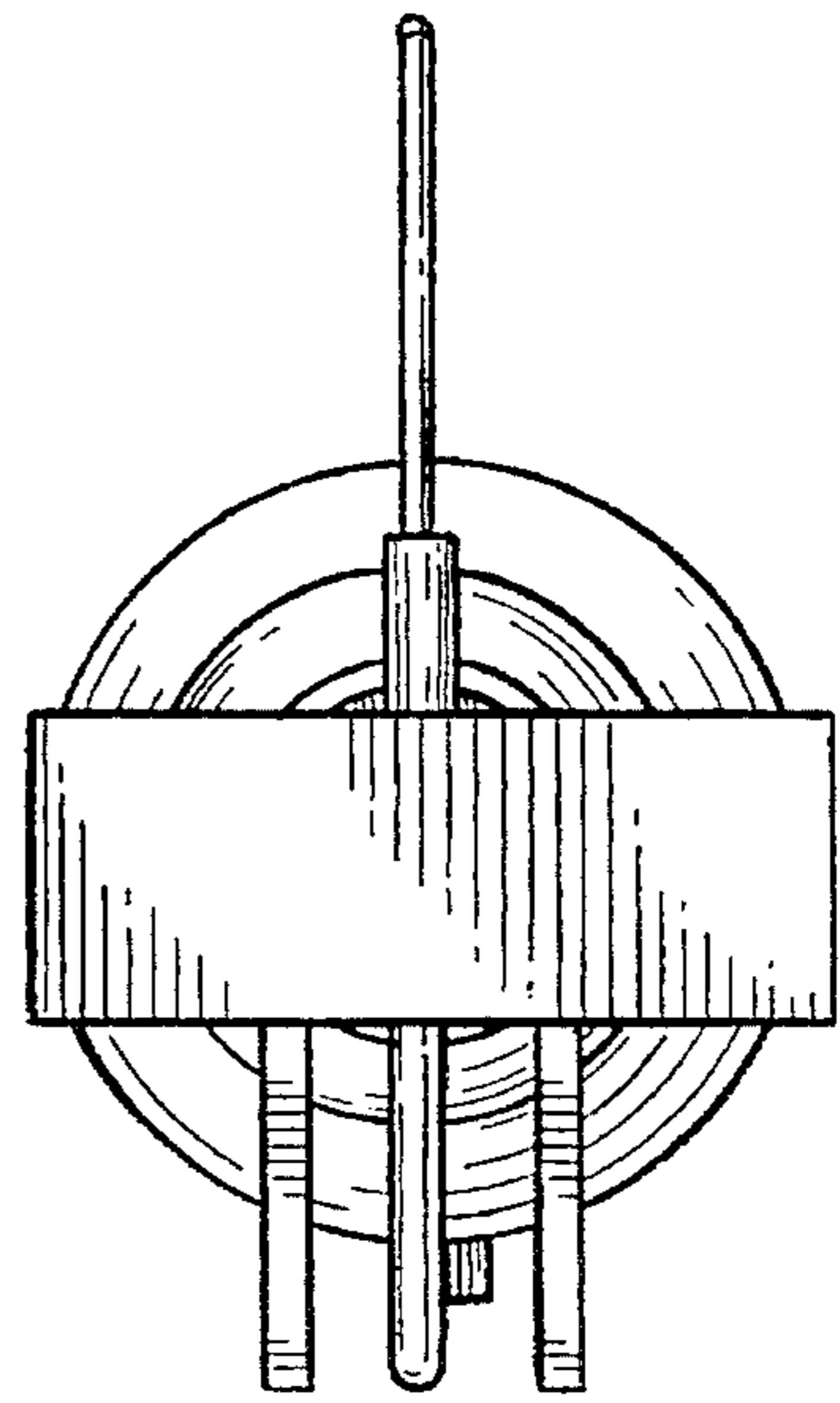
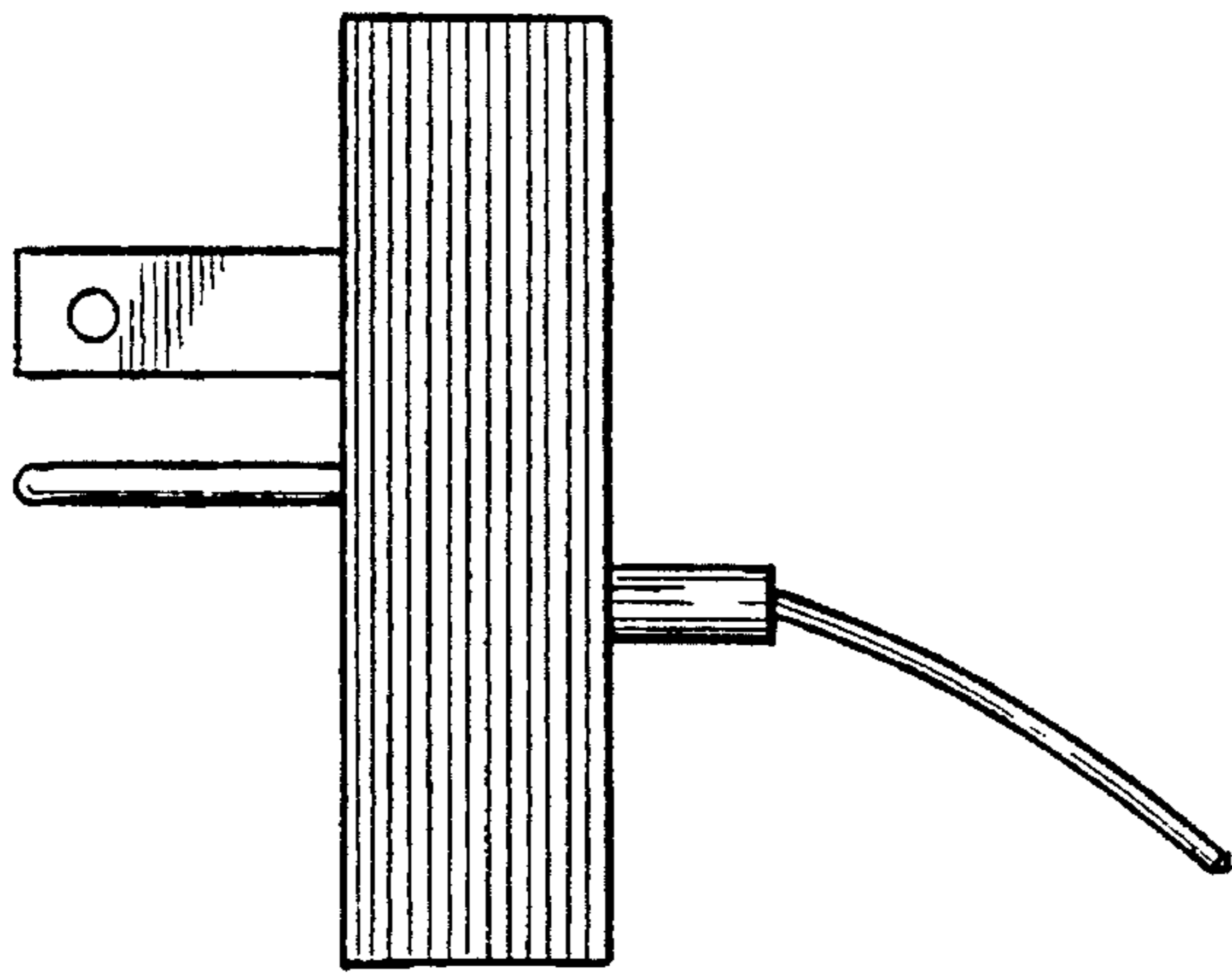


FIG. 5

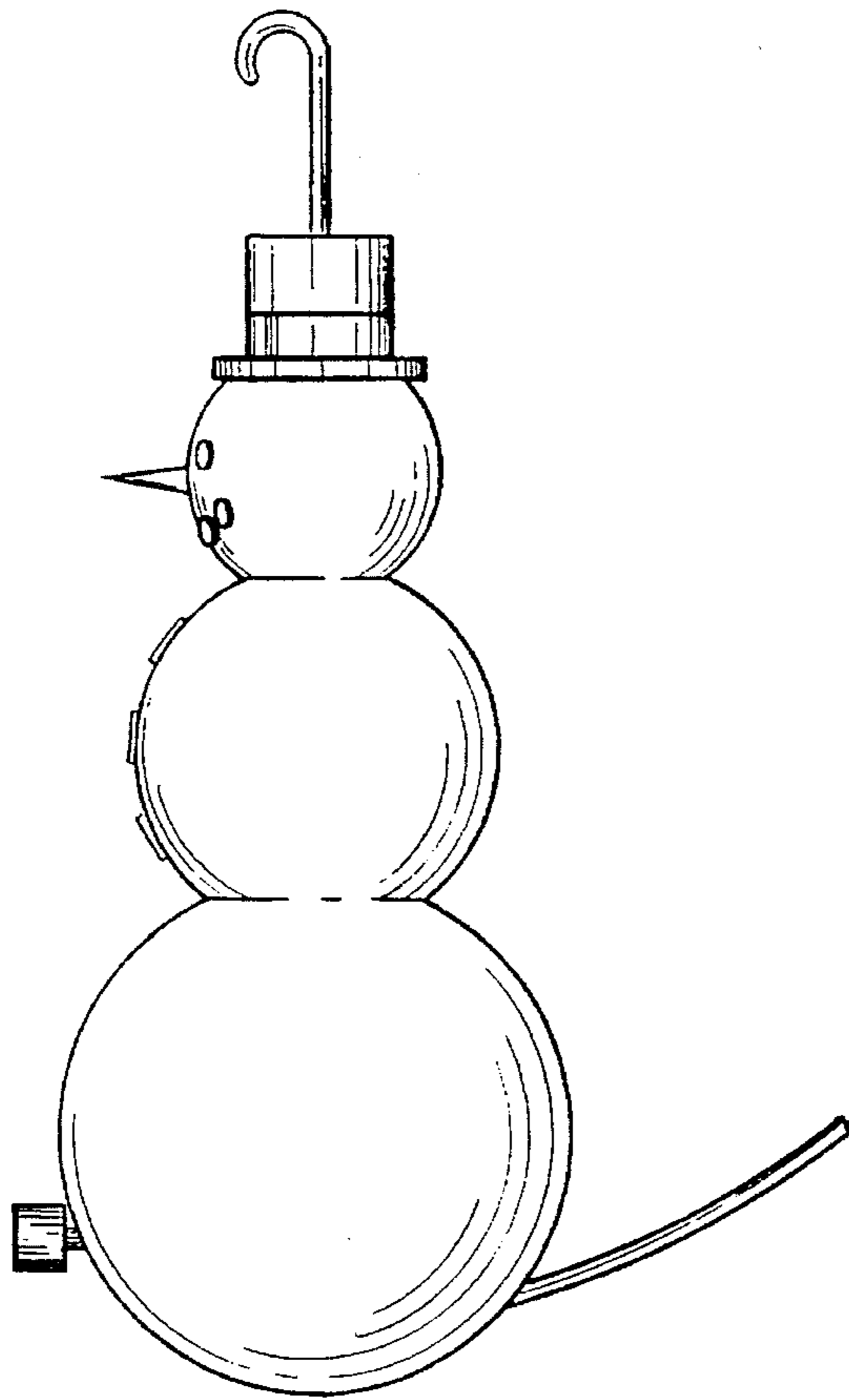


FIG. 4

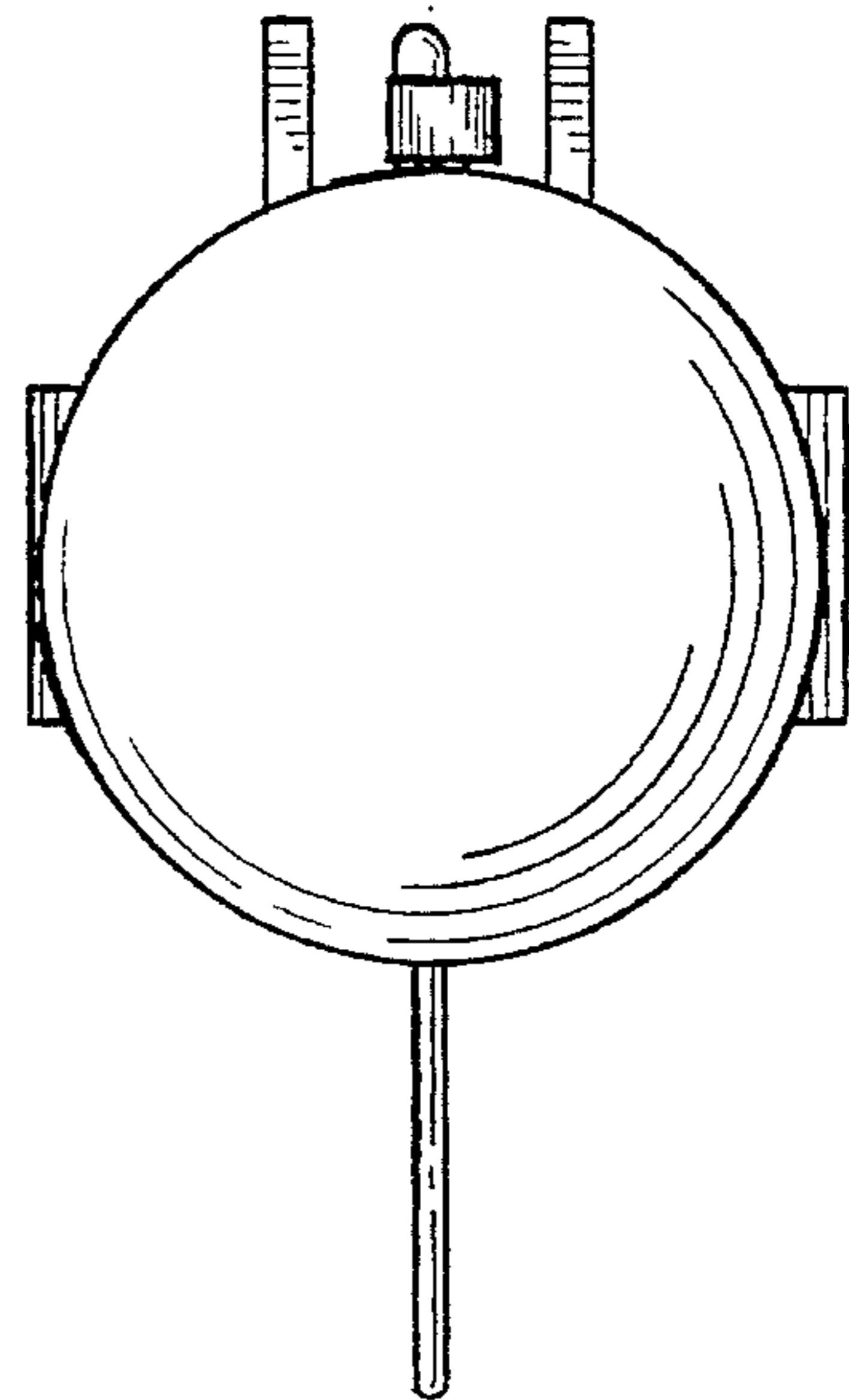


FIG. 6