



US00D363057S

United States Patent [19]

[11] Patent Number: **Des. 363,057**

Kawai

[45] Date of Patent: ****Oct. 10, 1995**

[54] **LINEAR MOTOR FOR A CONVEYANCE SYSTEM**

FOREIGN PATENT DOCUMENTS

[75] Inventor: **Takasi Kawai**, Toba, Japan

5104289	1/1993	Japan .
5206852	7/1993	Japan .
5206851	7/1993	Japan .
5235884	8/1993	Japan .
5212095	8/1993	Japan .
5212096	8/1993	Japan .
5255254	9/1993	Japan .
5255253	9/1993	Japan .

[73] Assignee: **Shinko Electric Co., Ltd.**, Tokyo, Japan

[**] Term: **14 Years**

[21] Appl. No.: **19,110**

Primary Examiner—Brian N. Vinson
Assistant Examiner—Robin V. Taylor
Attorney, Agent, or Firm—Thompson, Hine & Flory

[22] Filed: **Feb. 23, 1994**

[30] Foreign Application Priority Data

Aug. 27, 1993 [JP] Japan 5-26173

[52] U.S. Cl. **D13/112; D34/35**

[58] Field of Search D13/112; D34/29;
198/619; 310/12; 104/106, 107

[57] CLAIM

The ornamental design for a linear motor for a conveyance system, as shown and described.

[56] References Cited

DESCRIPTION

U.S. PATENT DOCUMENTS

3,788,447	1/1974	Stephanoff	310/12
4,369,383	1/1983	Langley	310/12
4,689,529	8/1987	Higuichi	310/12
4,864,170	9/1989	Eguchi	310/12
5,203,430	4/1993	Grinaski	310/12
5,357,158	10/1994	Takei	310/12

FIG. 1 is a perspective view showing my new design;
FIG. 2 is a front elevation view thereof;
FIG. 3 is a rear elevation view thereof;
FIG. 4 is a top plan view thereof;
FIG. 5 is a bottom view thereof;
FIG. 6 is a right side elevation view thereof; and,
FIG. 7 is a left side elevation view thereof.

1 Claim, 7 Drawing Sheets

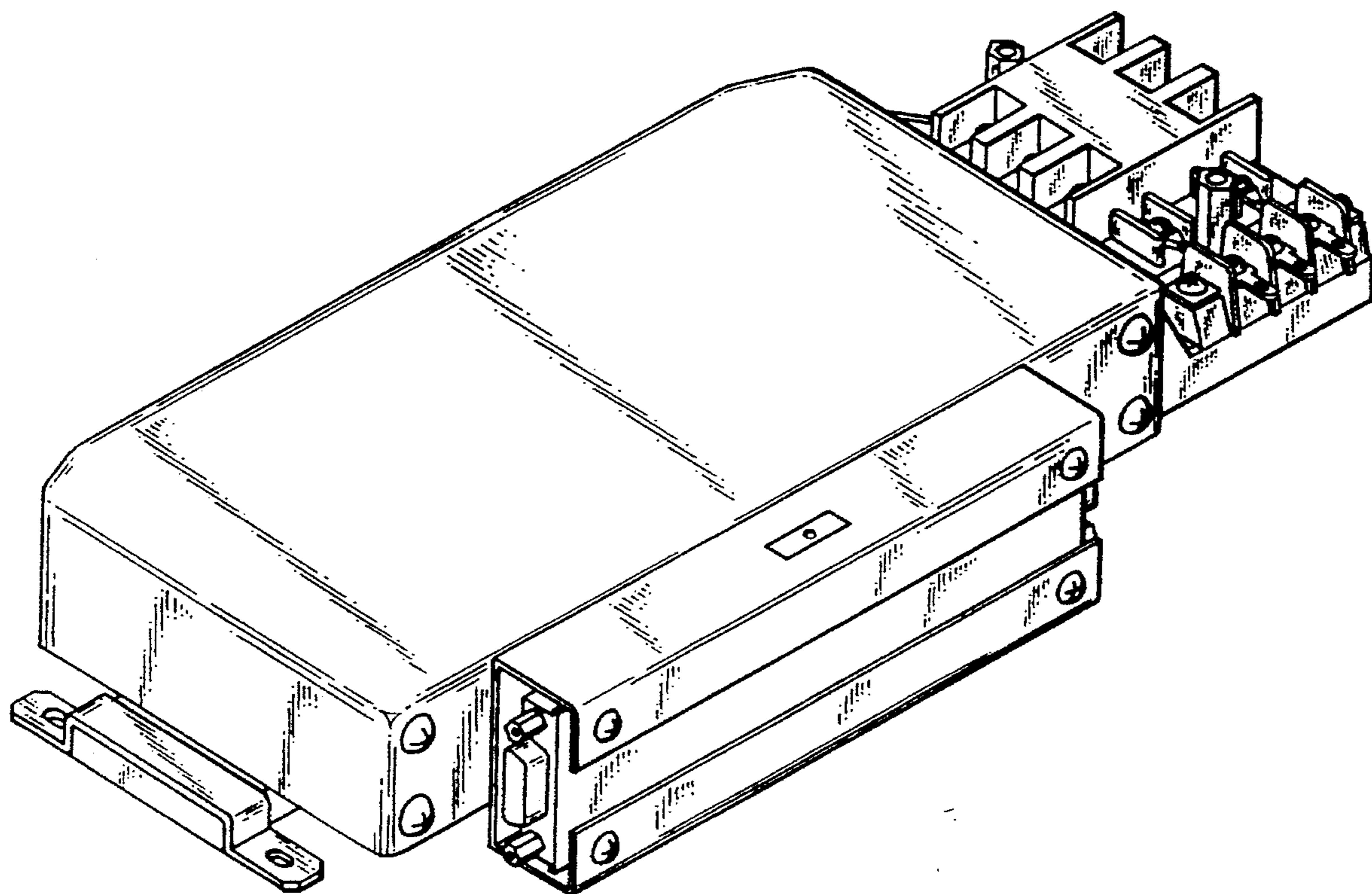


FIG. 1

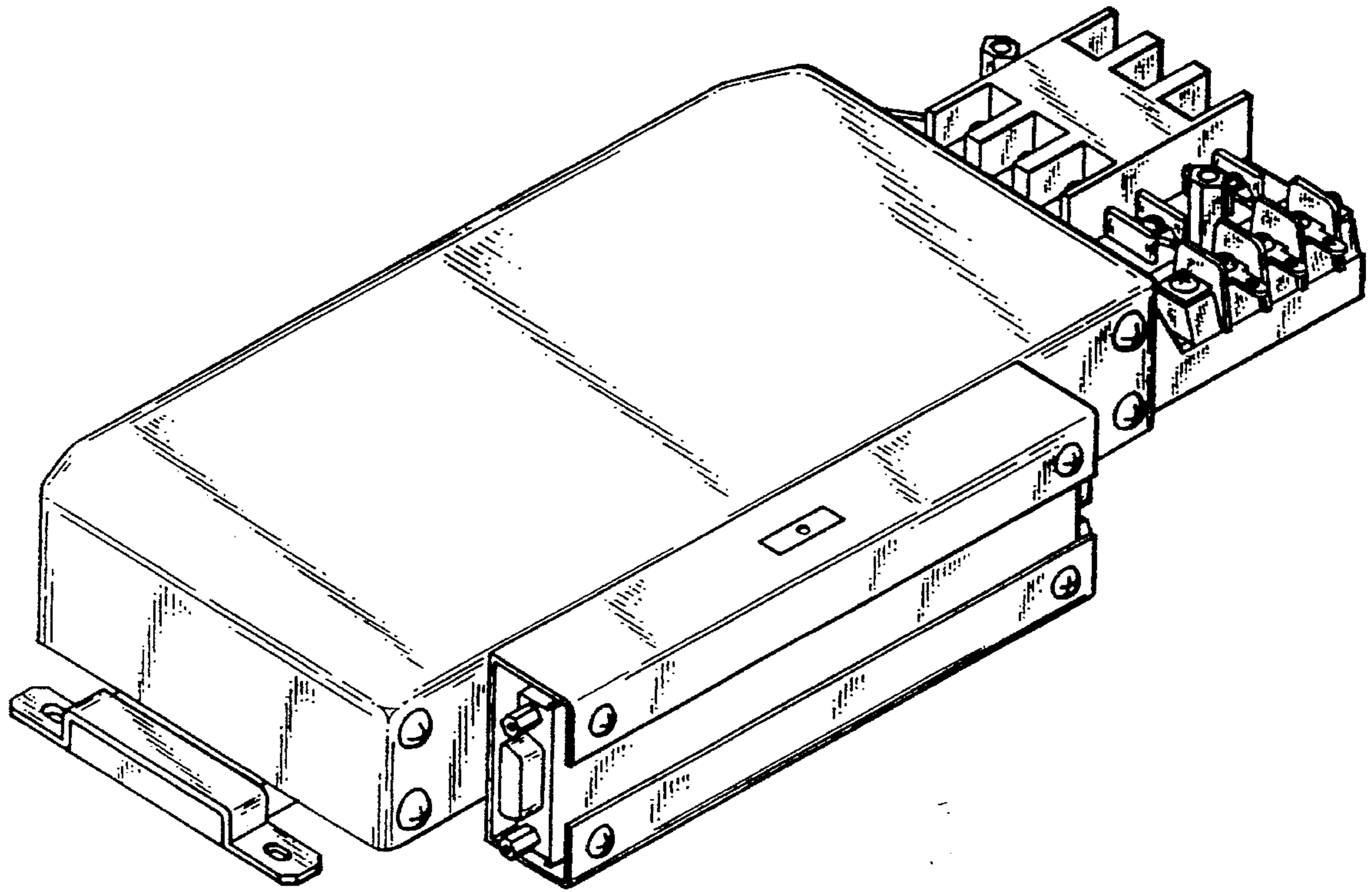


FIG. 2

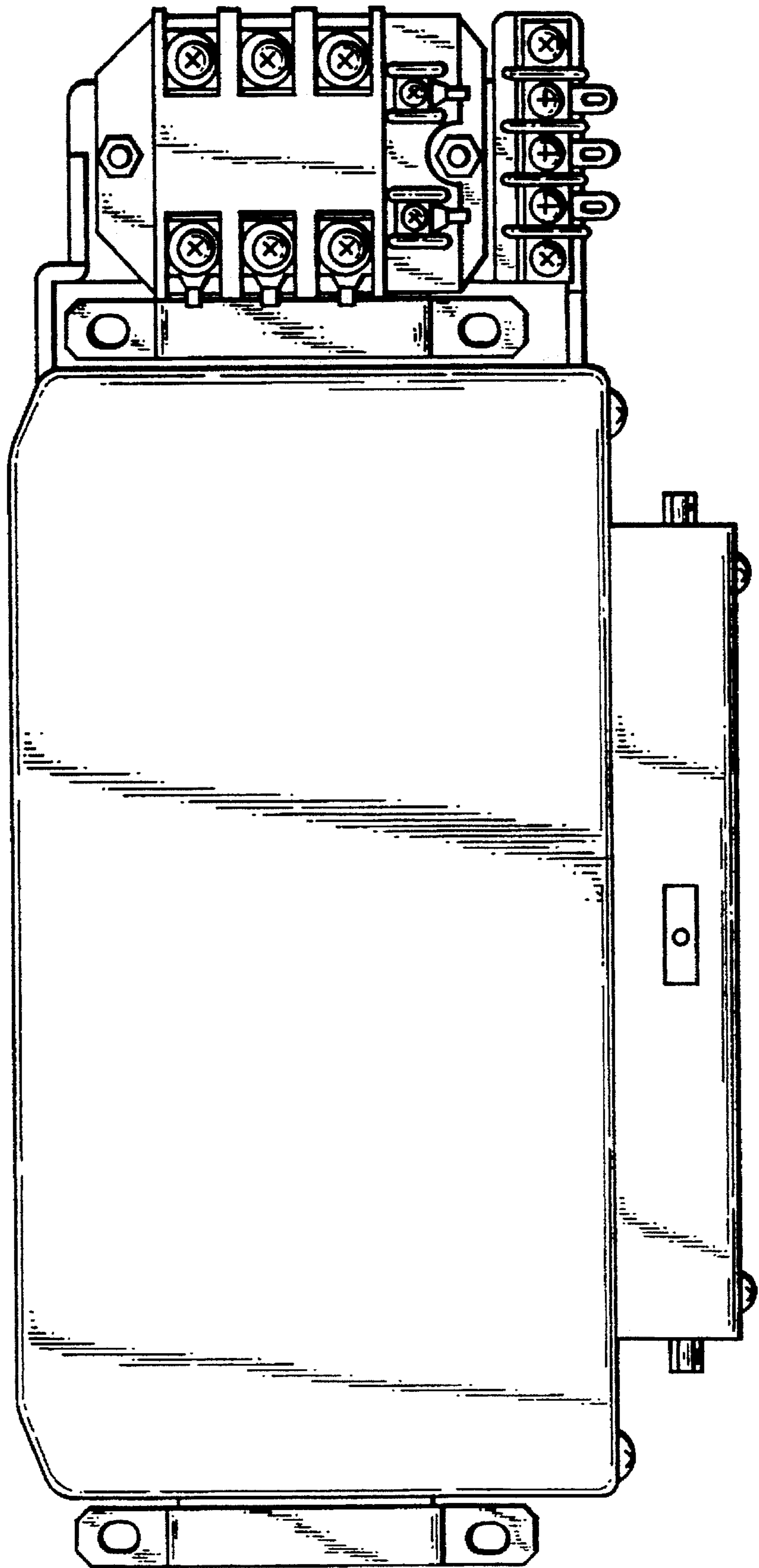


FIG. 3

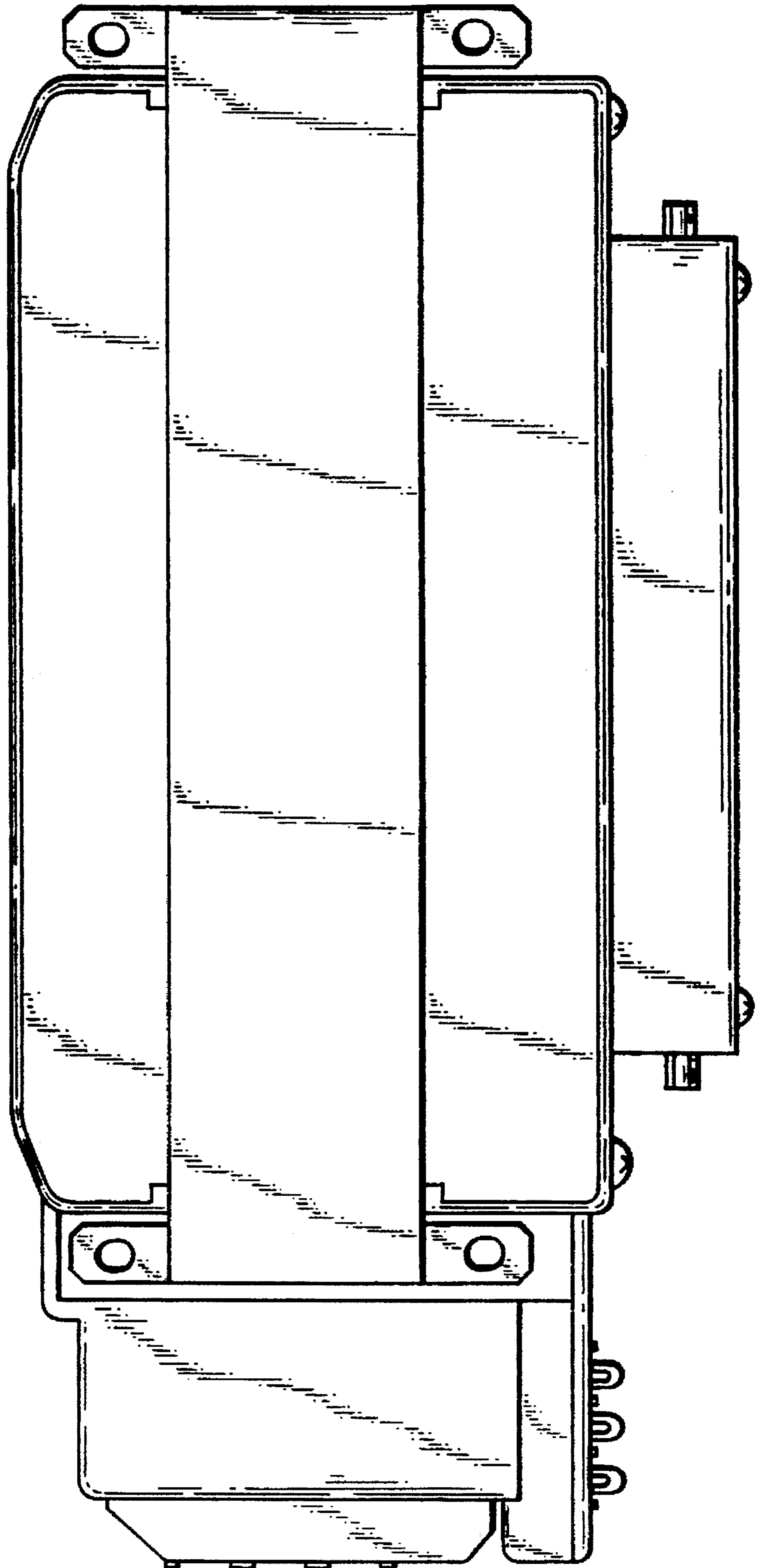


FIG. 4

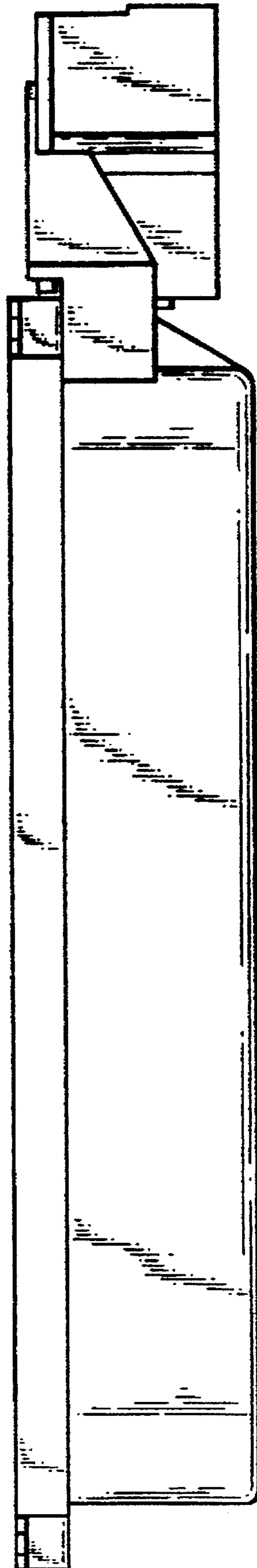


FIG. 5

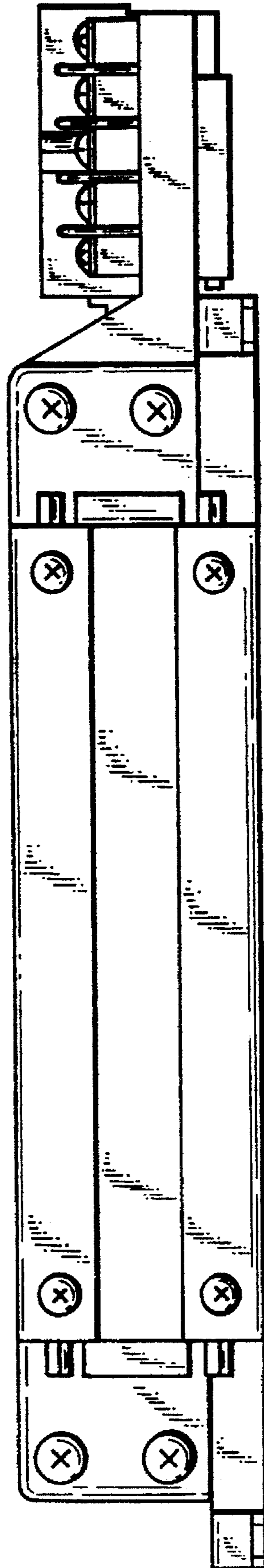


FIG. 6

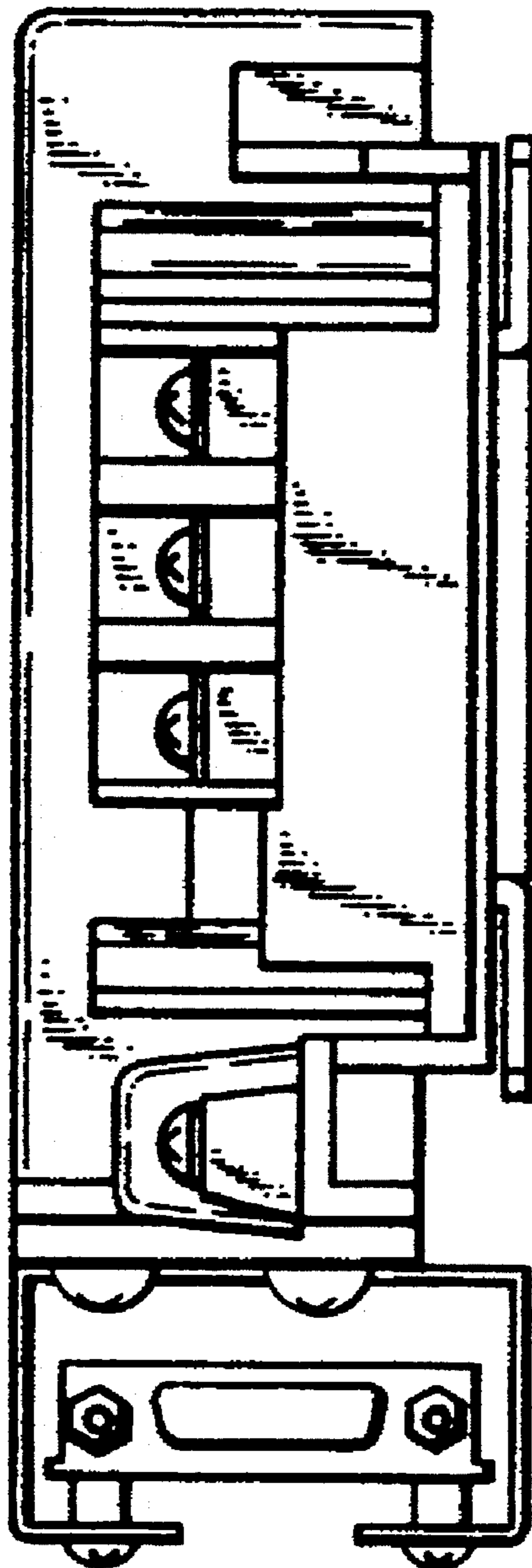


FIG. 7

