



US00D363056S

United States Patent [19]

[11] **Patent Number:** **Des. 363,056**

Vinciarelli et al.

[45] **Date of Patent:** ****Oct. 10, 1995**

[54] **PACKAGE FOR DC-DC POWER CONVERTER OR RELATED CIRCUITRY**

[75] Inventors: **Patrizio Vinciarelli**, Boston; **Fred M. Finnemore**, North Reading, both of Mass.

[73] Assignee: **VLT Corporation**, Andover, Mass.

[**] Term: **14 Years**

[21] Appl. No.: **32,530**

[22] Filed: **Dec. 20, 1994**

Related U.S. Application Data

[63] Continuation of Ser. No. 20,542, Mar. 28, 1994, abandoned, which is a continuation of Ser. No. 10,502, Jul. 6, 1993, abandoned, which is a division of Ser. No. 916,350, Jul. 17, 1992, Pat. No. Des. 344,928, which is a continuation-in-part of Ser. No. 809,412, Dec. 17, 1991.

[52] **U.S. Cl.** **D13/110**

[58] **Field of Search** D13/110, 123, D13/124, 184; 361/386, 388, 392; 336/90, 92, 200; 363/15, 95; 307/150, 151; 174/52.1, 52.2

[56] **References Cited**

U.S. PATENT DOCUMENTS

| | | | |
|------------|---------|----------------------|----------|
| D. 224,971 | 10/1972 | Projain et al. | D13/124 |
| D. 263,465 | 3/1982 | Fathi . | |
| D. 297,928 | 10/1988 | Harpley et al. . | |
| D. 328,057 | 7/1992 | Prager et al. . | |
| 2,427,111 | 9/1947 | Tolmie . | |
| 2,876,424 | 3/1959 | Stiler | 336/92 X |
| 3,089,070 | 5/1963 | Ralph . | |
| 4,012,672 | 3/1977 | Douglass et al. | 336/92 X |
| 4,205,291 | 5/1980 | Flentge . | |
| 4,455,545 | 6/1984 | Shelly . | |
| 4,487,999 | 12/1984 | Baird et al. | 174/52 |
| 4,656,450 | 4/1987 | Jarosz et al. | 336/92 X |
| 5,043,211 | 8/1991 | Yoshizumi et l. . | |
| 5,119,266 | 6/1992 | Petry | 361/111 |

OTHER PUBLICATIONS

ATC Power Systems, Inc., "Powercard 75 and Powercard 360," Powereg II Output Module, and Powereg II AC Input Module-UNR-DC-200W data sheets; included in High Density, High Frequency, . . . catalog (CEM, Inc.). Tower Electronics, Dwg. No. 200-0500.

Vicor Corp., VI-200 Series, "No Room left For Your Power Supply? Talk to Vicor," Power System Size Reduction with High Density DC-DC Converters articles for sale prior to Dec. 17, 1991.

Vicor Corp., "See Where Vicor's MHZ Switchers Can Take You . . .," EDN (Cahners Publ), Apr. 17, 1986.

Qualidyne Systems, Inc., "a Pair of Power Aces!"

Vicor Corp., "FlatPAC AC/DC Switching Powr Supplies" product literature articles for sale prior to Dec. 17, 1991.

Vicor Corp. (C. Hutchins), "Outline Drawing Mini Module," Dwg. No. 03550, Apr. 1989.

Vicor Corp., VI-200 Series, "Noise May Keep Your Product on the Bench," EDN (Cahners Pub.), May 28, 1987.

(List continued on next page.)

Primary Examiner—Joel Sincavage
Attorney, Agent, or Firm—Fish & Richardson

[57] **CLAIM**

The ornamental design for a package for DC-DC power converter or related circuitry, as shown and described.

DESCRIPTION

FIG. 1 is a perspective view of a package for a DC-DC power converter or related circuitry;

FIG. 2 is a bottom plan view thereof;

FIG. 3 is a side elevational view thereof, the opposite side being mirror image;

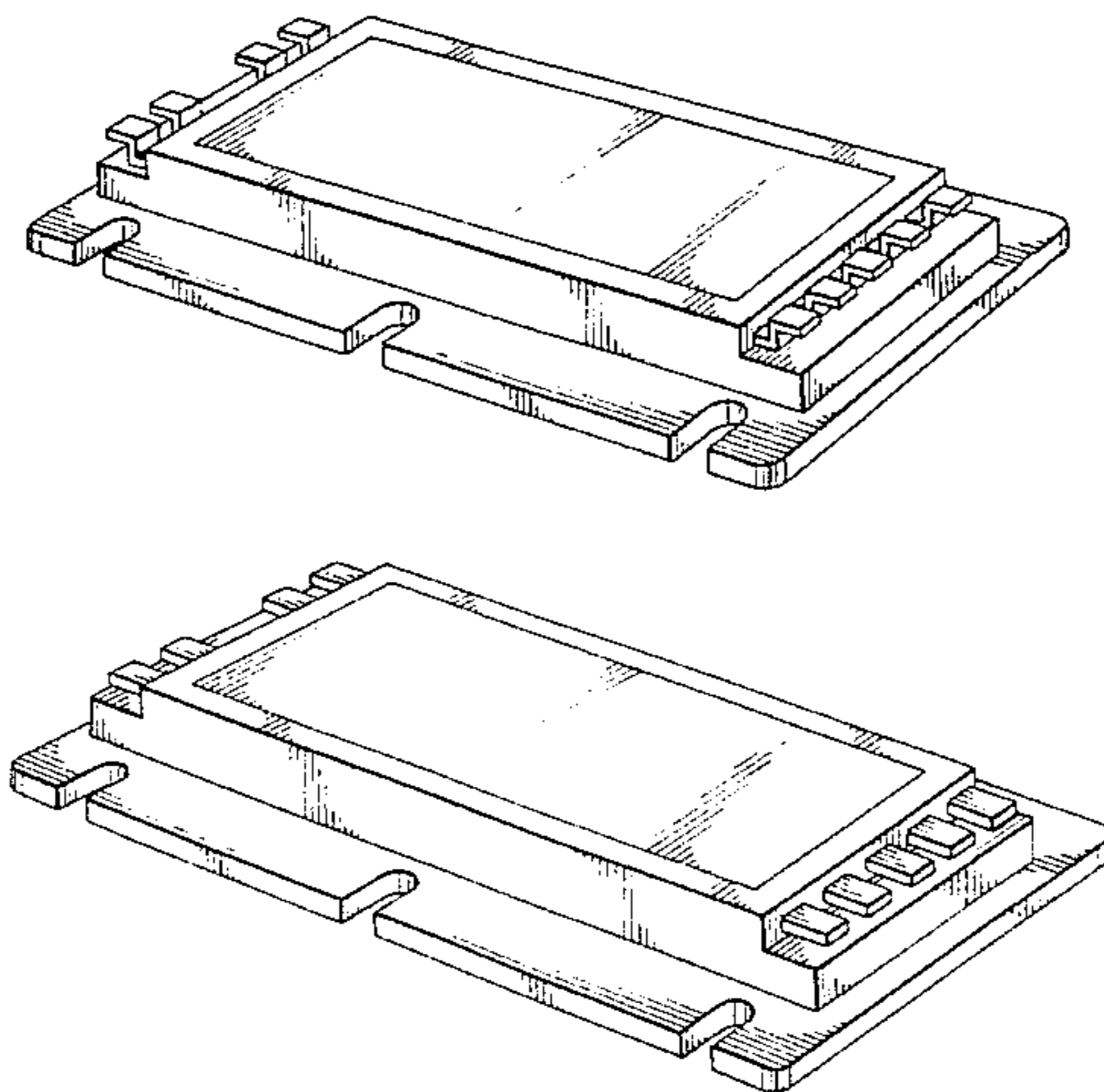
FIG. 4 is a top plan view thereof;

FIG. 5 is an end elevational view thereof;

FIG. 6 is another end elevational view thereof, this end being opposite the end of FIG. 5; and,

FIGS. 7 through 12 illustrate a second embodiment, where the descriptions of FIGS. 7 through 12 correspond to the descriptions of FIGS. 1 through 6, respectively.

1 Claim, 2 Drawing Sheets



OTHER PUBLICATIONS

Vicor Corp., "Celebrating the New Profile In Off-Line Switchers," *Electronic Design* Apr. 12, 1990 pp. 82-83.

Vicor Corp., "1985: Smallest, 1990: Smaller," *Electronic Design* May 10, 1990 p. 117.

Electronic Design, vol. 23, No. 11, May 24, 1975; DC/DC Converters.

Design Data Sheet-VI-100 Series (Vicor) ©Mar. 1985.

1991 Product Catalog (Vicor).

RO Associates; "Fullpower With No Heat Sink"; 150 Watt DC-DC Converters; *EDN* Apr. 27, 1989.

Computer Products Power Conversion Group; 1987 Computer Products Inc.; pp. 1, 154, 155, 158, 159.

International Power Devices 1988/89; 1 to 120 Watt DC/DC Converters; pp. 44, 45, 50, 51.

LAMBDA 89; Supply and Power Converter Catalog, 1989.

EDN News Edition, "Offline Supply Offers 7W/in³", Jay Prager, Vicor Corp., Mar. 9, 1989.

EDN, Vicor Advertisement, FlatPAC In Off-Line Switchers; Jun. 22, 1989.

Baseplate; STD Product (ATC Power Systems Drawing No. 4612) Aug. 28, 1990.

DA30-450 Amplifier on p. 27 of *CWY Electronics* catalog.

ECN Electronic Component News, vol. 36, No. 9 (Sep., 1992).

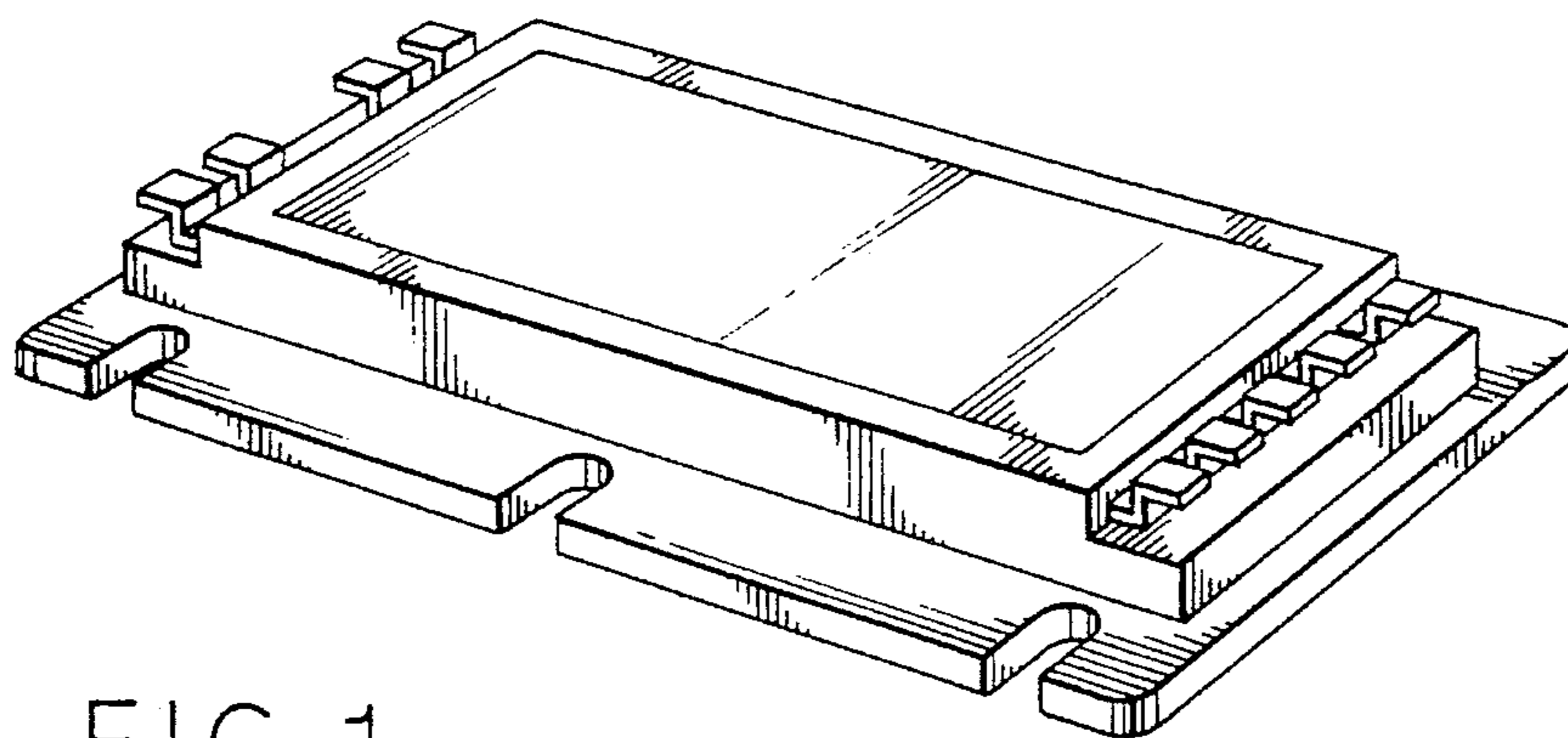


FIG. 1



FIG. 5

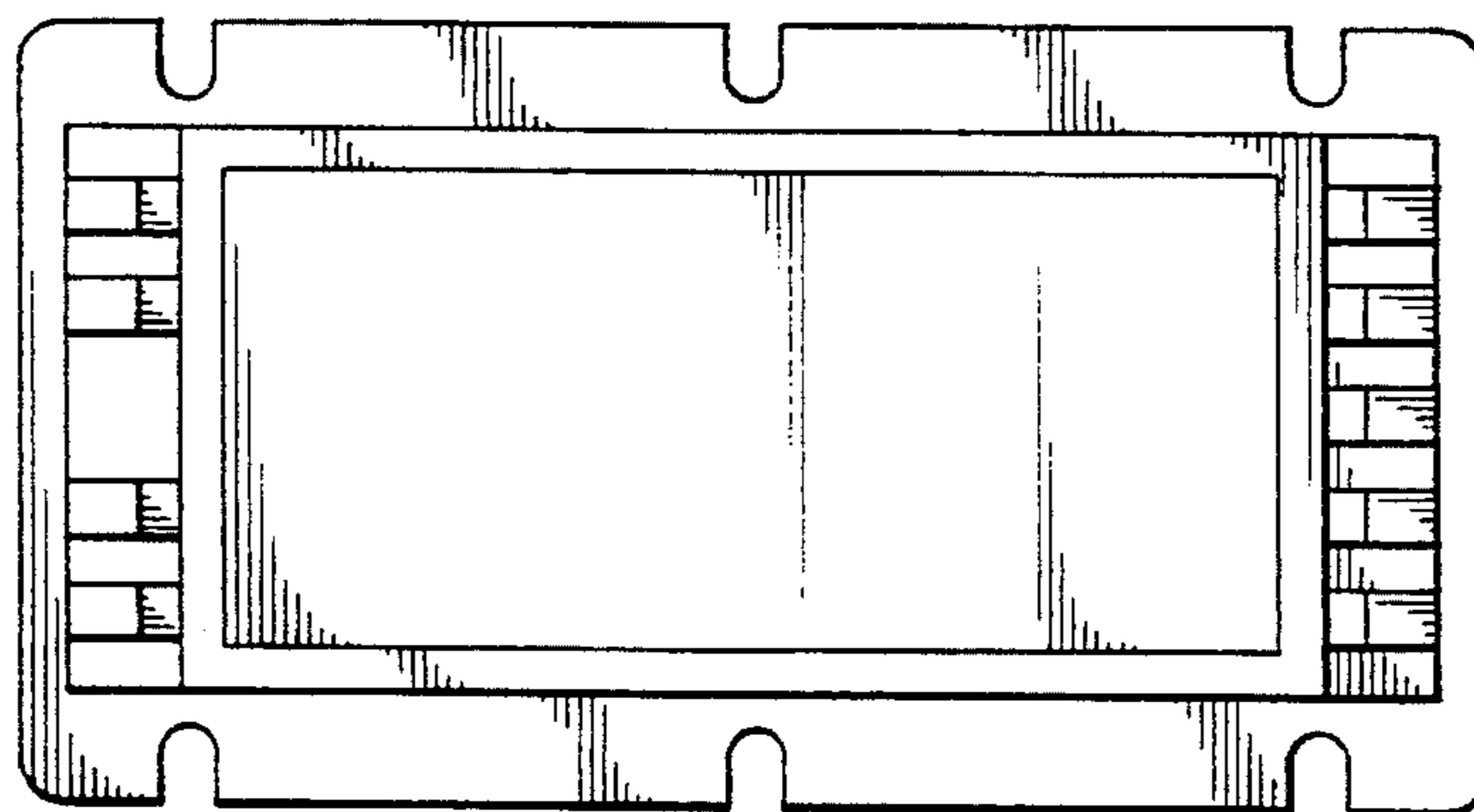


FIG. 2

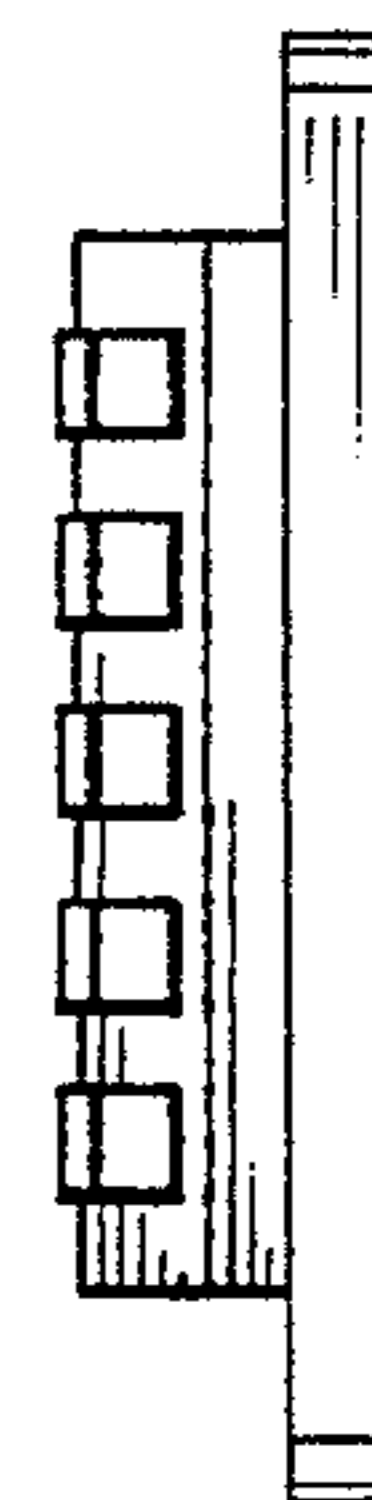


FIG. 6

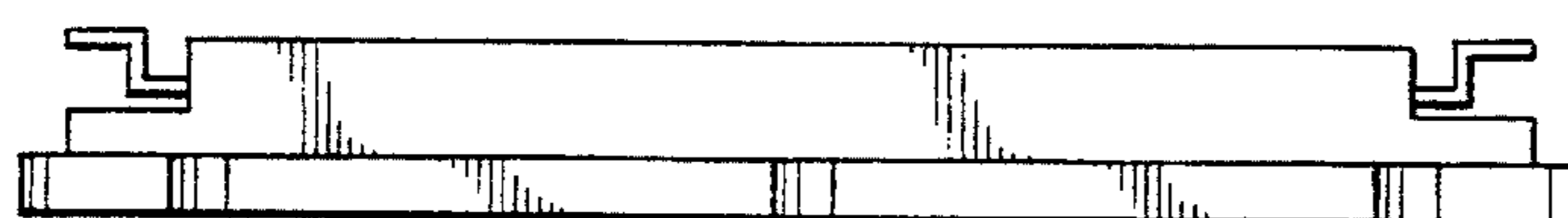
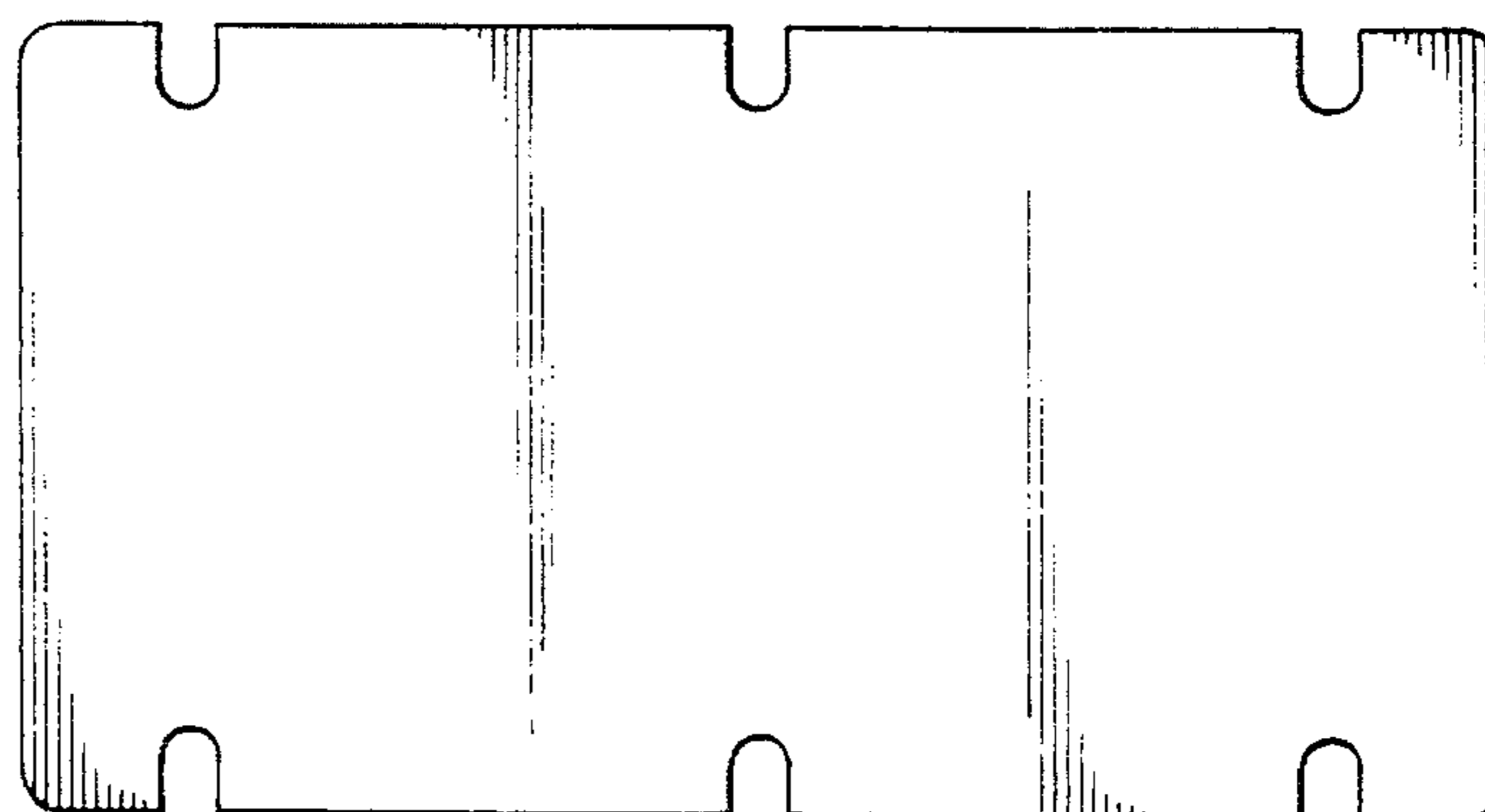


FIG. 3

FIG. 4



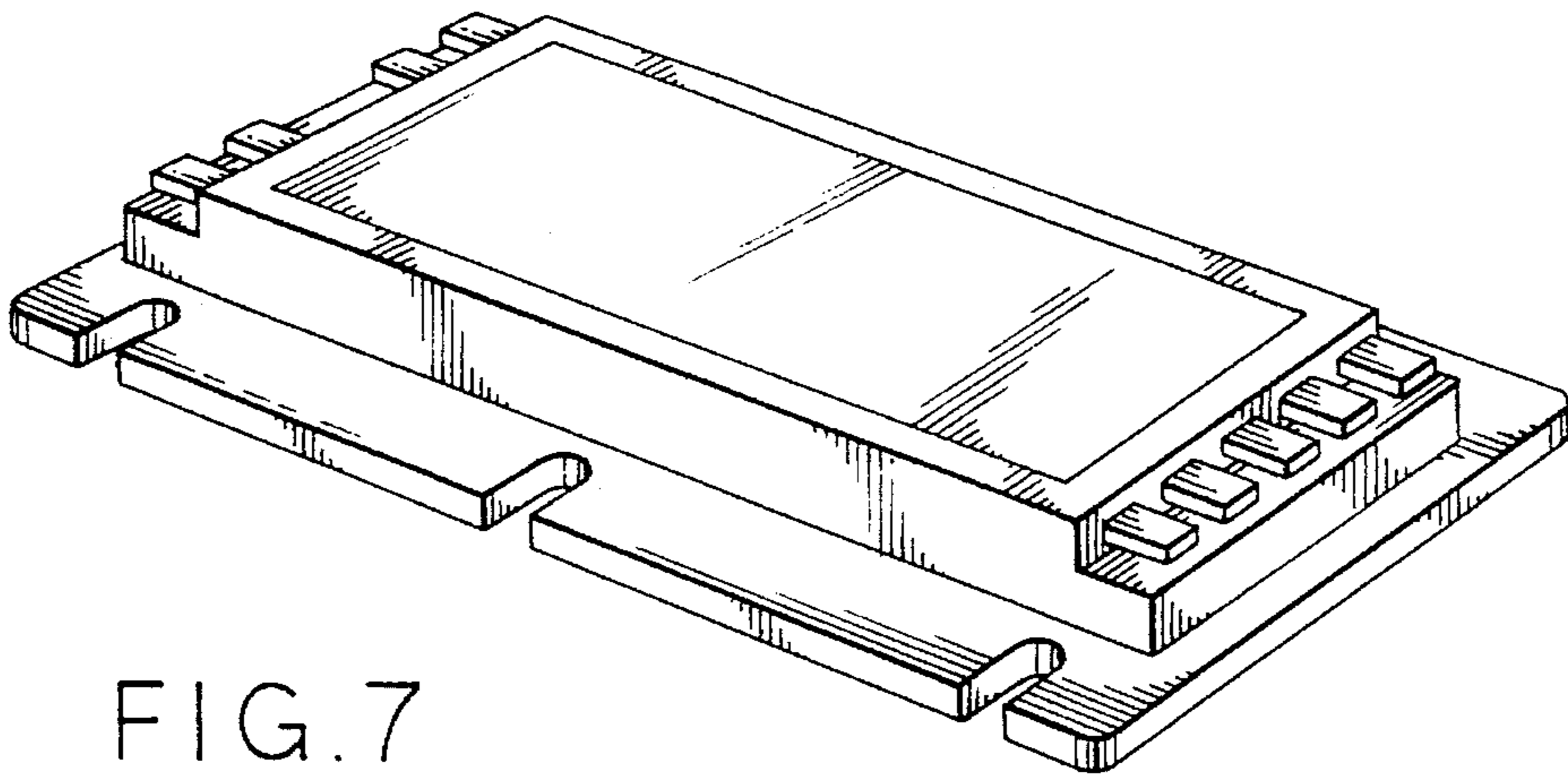


FIG. 7



FIG. 11

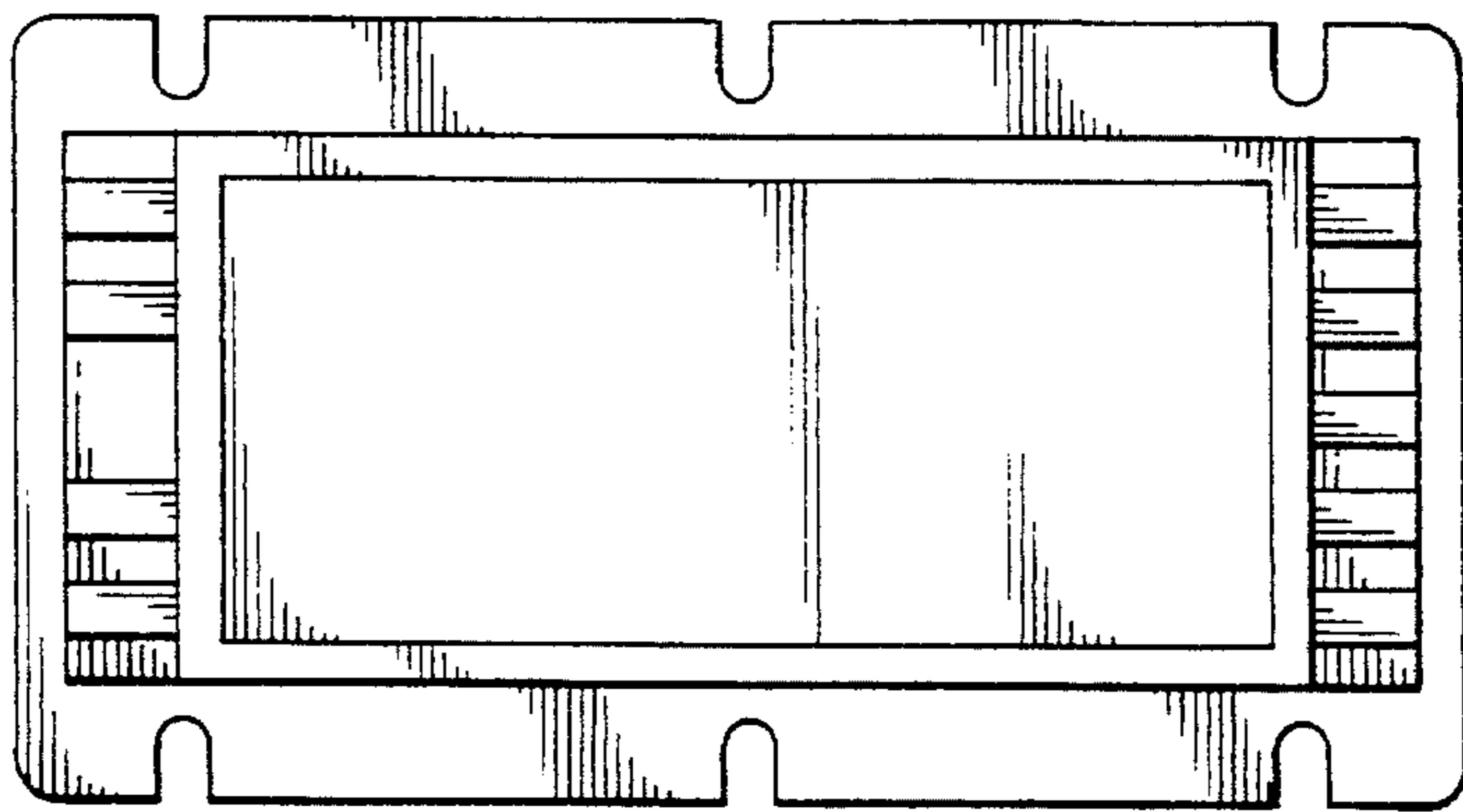


FIG. 8



FIG. 12



FIG. 9

FIG. 10

