



US00D363054S

# United States Patent [19]

[11] **Patent Number:** **Des. 363,054**

Taylor et al.

[45] **Date of Patent:** **\*\*Oct. 10, 1995**

[54] **HELICOPTER**

5,093,577 3/1992 McMahon ..... 354/74  
5,209,430 5/1993 Wilson et al. .... 244/17.19

[75] Inventors: **Rodney S. Taylor**, Bedford; **Walter C. Joiner**, Arlington, both of Tex.

### OTHER PUBLICATIONS

[73] Assignee: **Bell Helicopter Textron Inc.**, Fort Worth, Tex.

Flight Int'l 24 Aug. 1972, p. 285 "Bell Model 2/2".  
Canadian Design Pat. No. 35187, Mar. 29, 1972 United Aircraft Corporation, East Hartford, Conn. USA.

[\*\*] Term: **14 Years**

*Primary Examiner*—Kay H. Chin  
*Attorney, Agent, or Firm*—Robert A. Felsman; Mark D. Perdue

[21] Appl. No.: **27,816**

[22] Filed: **Aug. 30, 1994**

### [57] CLAIM

[52] U.S. Cl. .... **D12/327; D12/326**

The ornamental design for a helicopter, as shown and described.

[58] Field of Search ..... D12/319, 324,  
D12/323, 327; 244/17.11, 17.19, 17.21

### DESCRIPTION

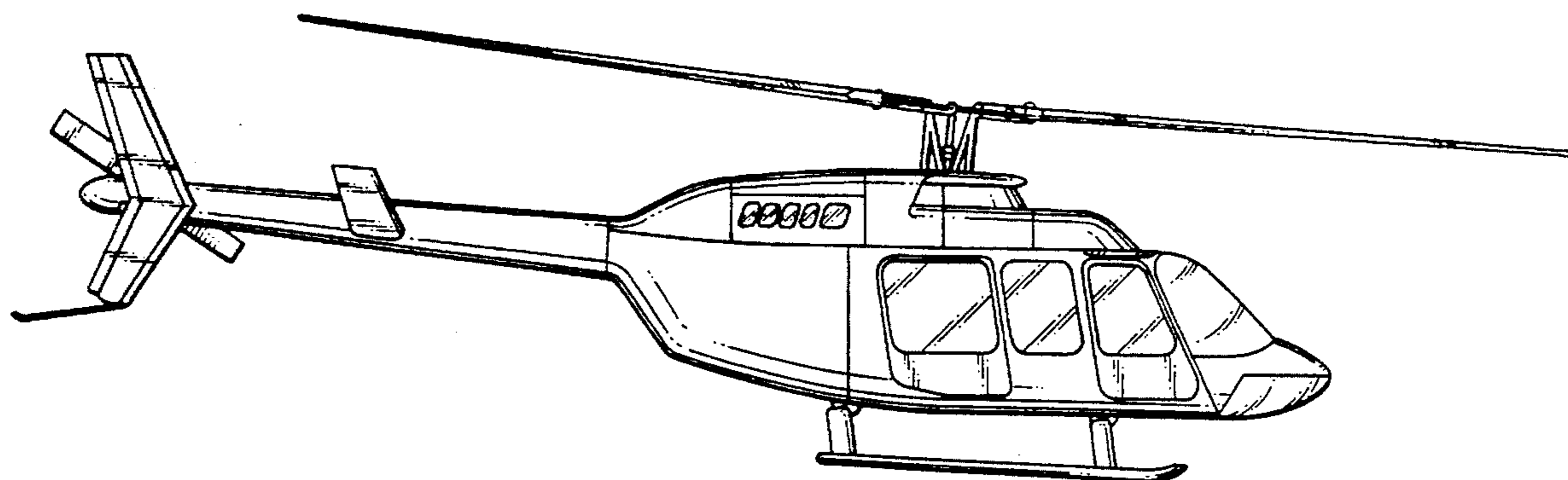
### [56] References Cited

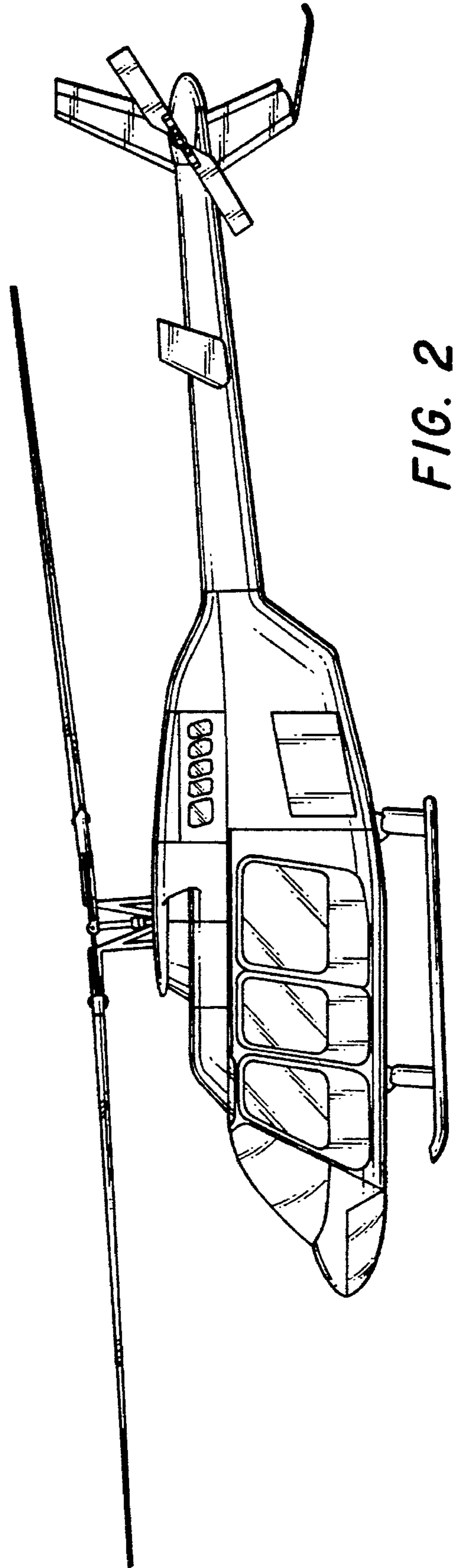
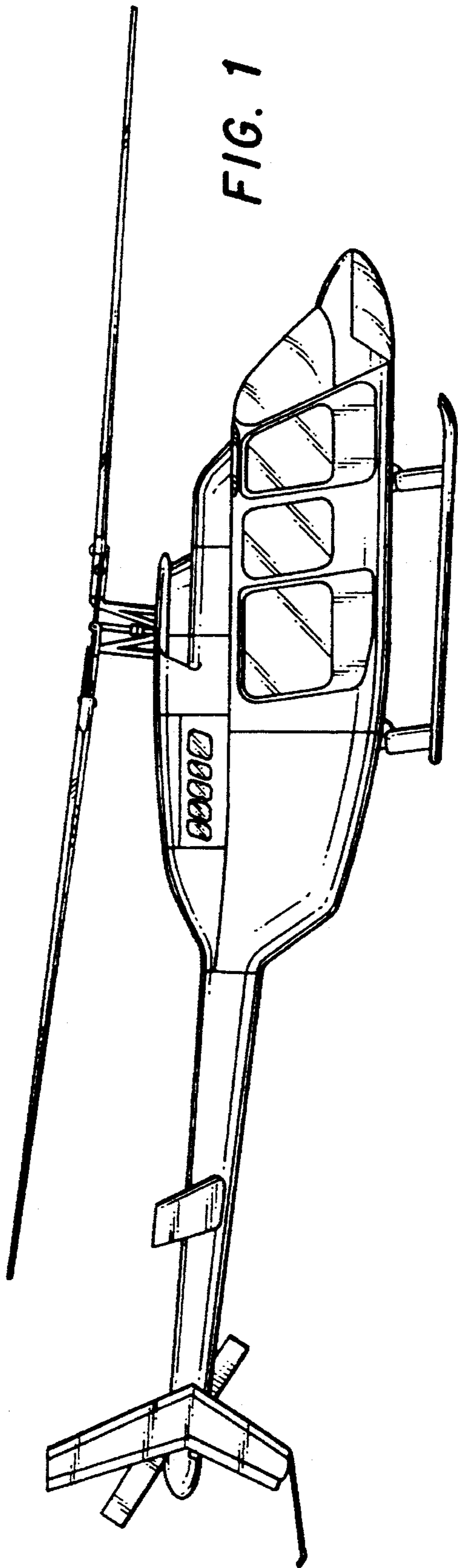
#### U.S. PATENT DOCUMENTS

D. 186,796	12/1959	Gluhareff	.....	D12/324
D. 206,734	1/1967	Kesling	.....	D12/327
D. 239,710	4/1976	Garrison	.	
D. 242,338	11/1976	Gilday	.	
D. 267,227	4/1985	Johnston, Jr.	.	
D. 278,227	4/1985	Johnston, Jr.	.....	D12/327
D. 332,078	12/1992	Shallene	.	
3,902,688	9/1975	Seibel et al.	.....	244/17.11
4,809,930	3/1989	Ballerio	.....	244/17.11

FIG. 1 is a left side elevational view of the helicopter showing our new design;  
FIG. 2 is a right side elevational view thereof;  
FIG. 3 is a front elevational view thereof;  
FIG. 4 is a rear elevational view thereof;  
FIG. 5 is a top plan view thereof; and,  
FIG. 6 is a bottom plan view thereof.  
Portions of the rotor blades in FIGS. 5 and 6 are shown broken away for convenience of illustration.

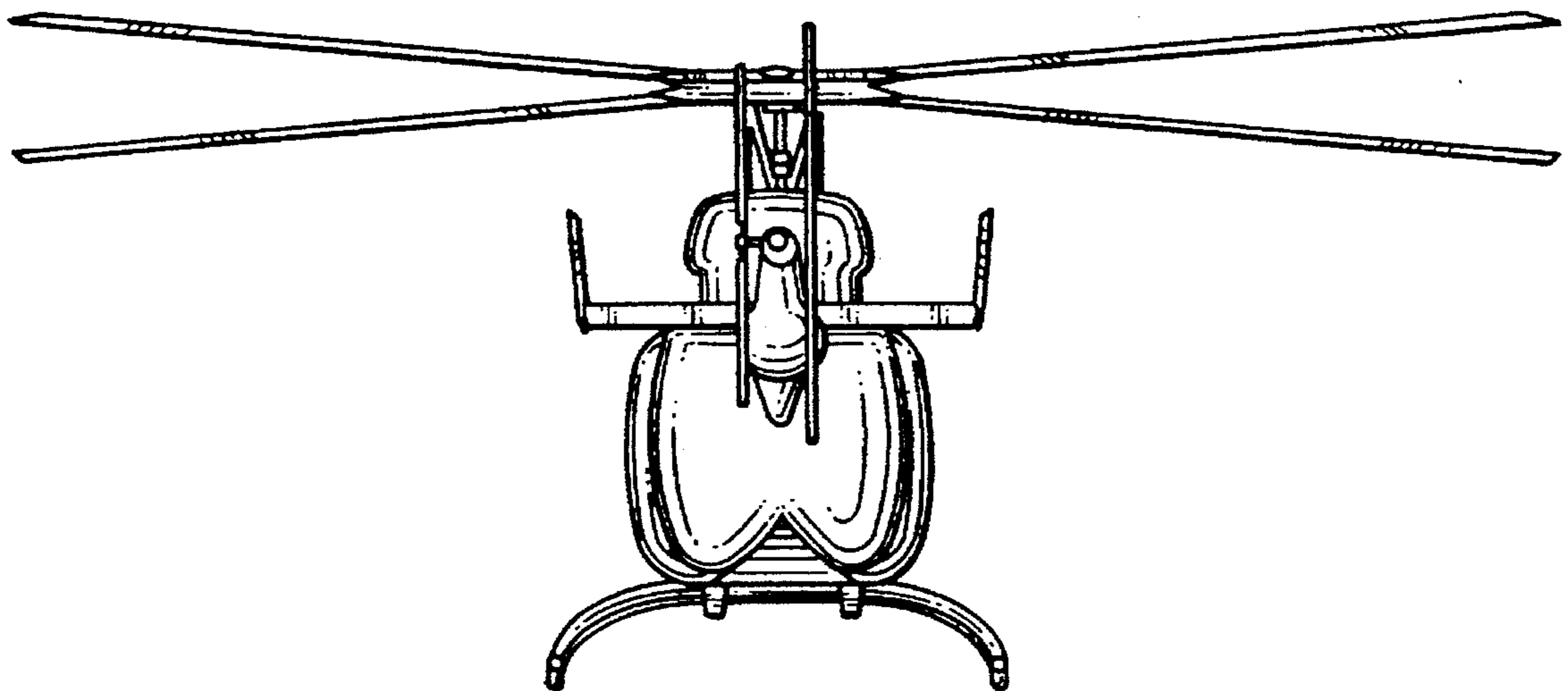
**1 Claim, 3 Drawing Sheets**







**FIG. 3**



**FIG. 4**

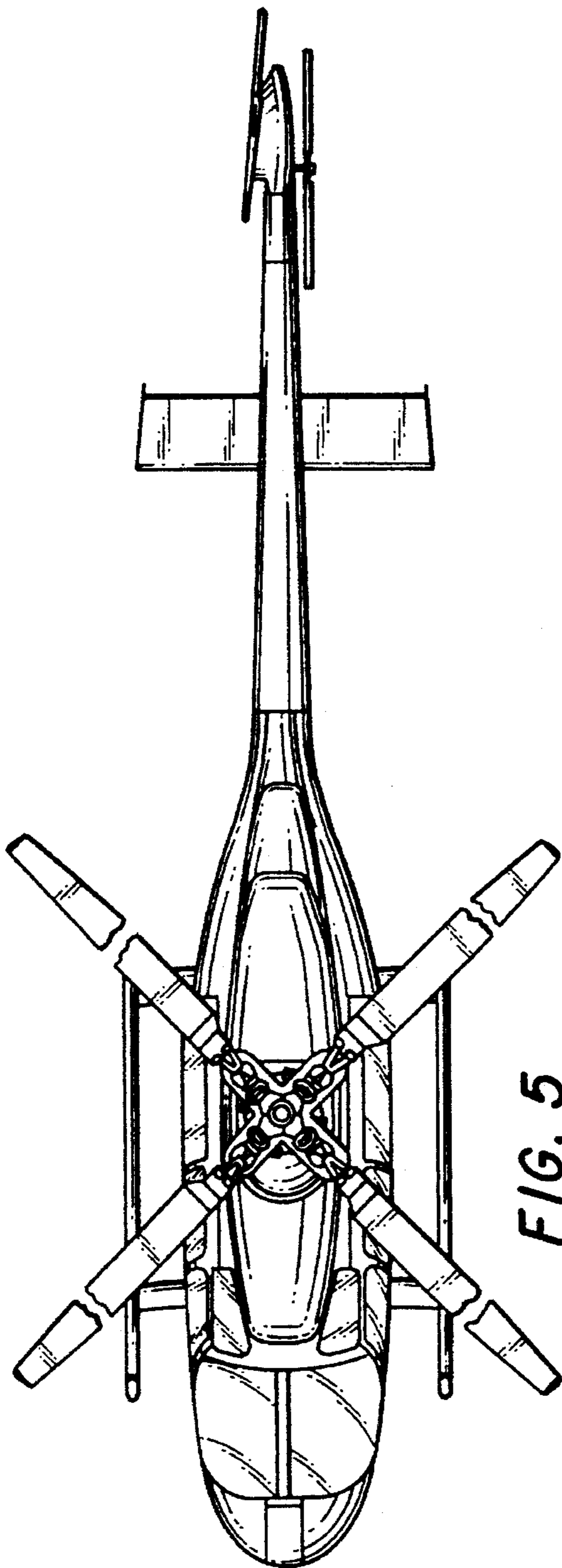


FIG. 5

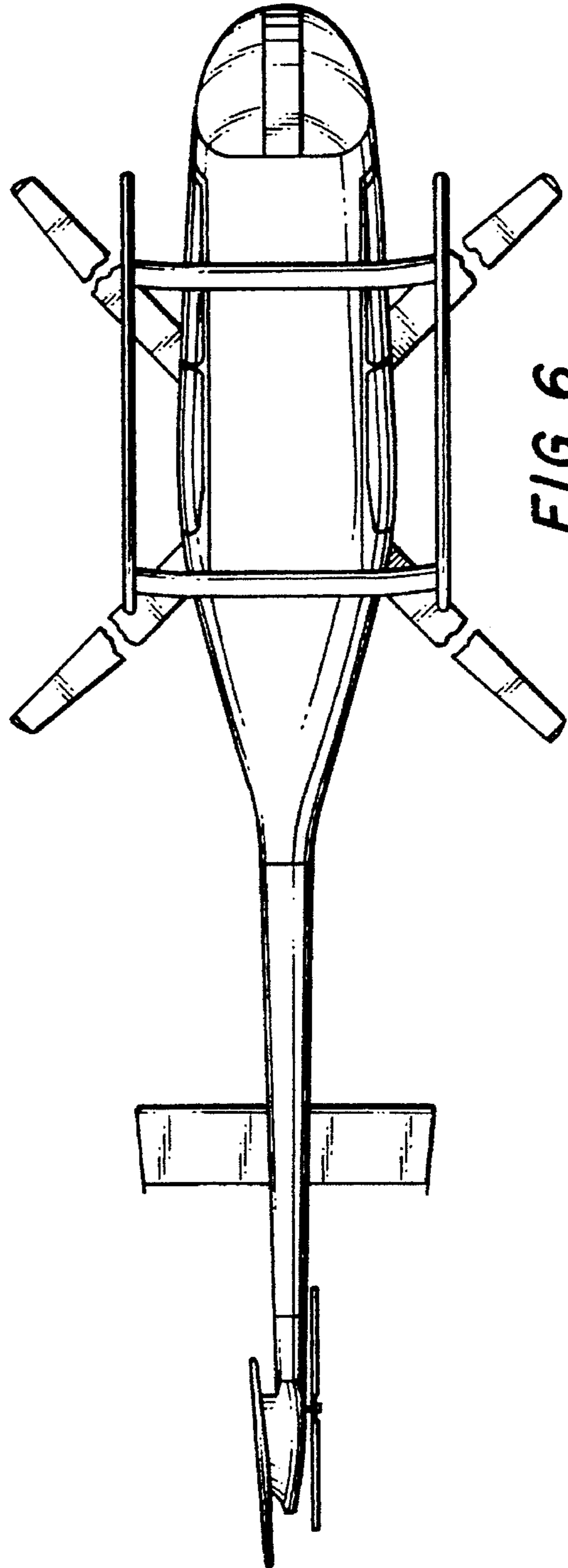


FIG. 6