



US00D363051S

United States Patent [19]

[11] Patent Number: **Des. 363,051**

Lanzillo

[45] Date of Patent: ****Oct. 10, 1995**

[54] **REMOVABLE TRAY ON A WALKER WITH ROLLERS**

Primary Examiner—Kay H. Chin
Attorney, Agent, or Firm—Herbert L. Lerner; Laurence A. Greenberg

[76] Inventor: **Joseph Lanzillo**, 2111 N. 52nd Ave., Hollywood, Fla. 33021

[57] **CLAIM**

[**] Term: **14 Years**

The ornamental design for the removable tray on a walker with rollers, as shown and described.

[21] Appl. No.: **26,302**

DESCRIPTION

[22] Filed: **Jul. 25, 1994**

[52] U.S. Cl. **D12/130; D12/133**

FIG. 1 is a front-elevational view my novel removable tray on a walker with rollers;

[58] Field of Search D12/130, 128, D12/133; 135/67, 65, 64, 74, 72, 73; 482/69; 297/5, 6

FIG. 2 is a rear-elevational view thereof;

FIG. 3 is a top-plan view thereof;

[56] **References Cited**

FIG. 4 is a bottom-plan view thereof, showing a spring-loaded, releasable clamp for fastening the tray to the walker;

FIG. 5 is a side-elevational view thereof; and,

U.S. PATENT DOCUMENTS

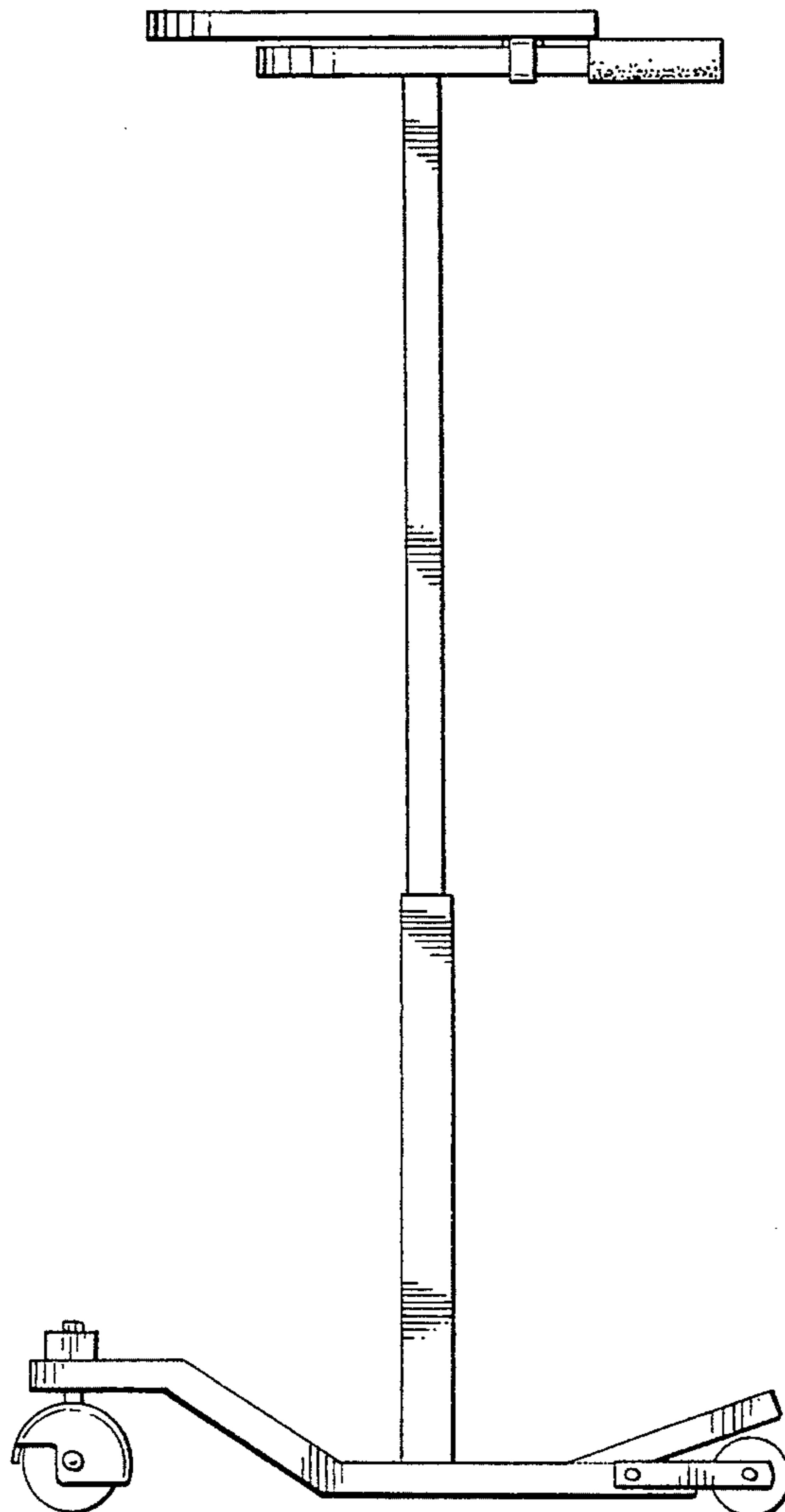
| | | | |
|-----------|---------|-------------|--------|
| 4,708,274 | 11/1987 | Roche | 135/67 |
| 5,170,810 | 12/1992 | Chapin | 135/67 |
| 5,217,032 | 6/1993 | Jobst | 135/67 |
| 5,773,063 | 12/1993 | Farr et al. | 135/67 |

FIG. 6 is a top-plan view of the tray with a second embodiment of a support surface; the bottom view of the second embodiment being identical to FIG. 4.

FOREIGN PATENT DOCUMENTS

| | | | |
|---------|--------|-------|--------|
| 6039007 | 2/1994 | Japan | 135/67 |
|---------|--------|-------|--------|

1 Claim, 5 Drawing Sheets



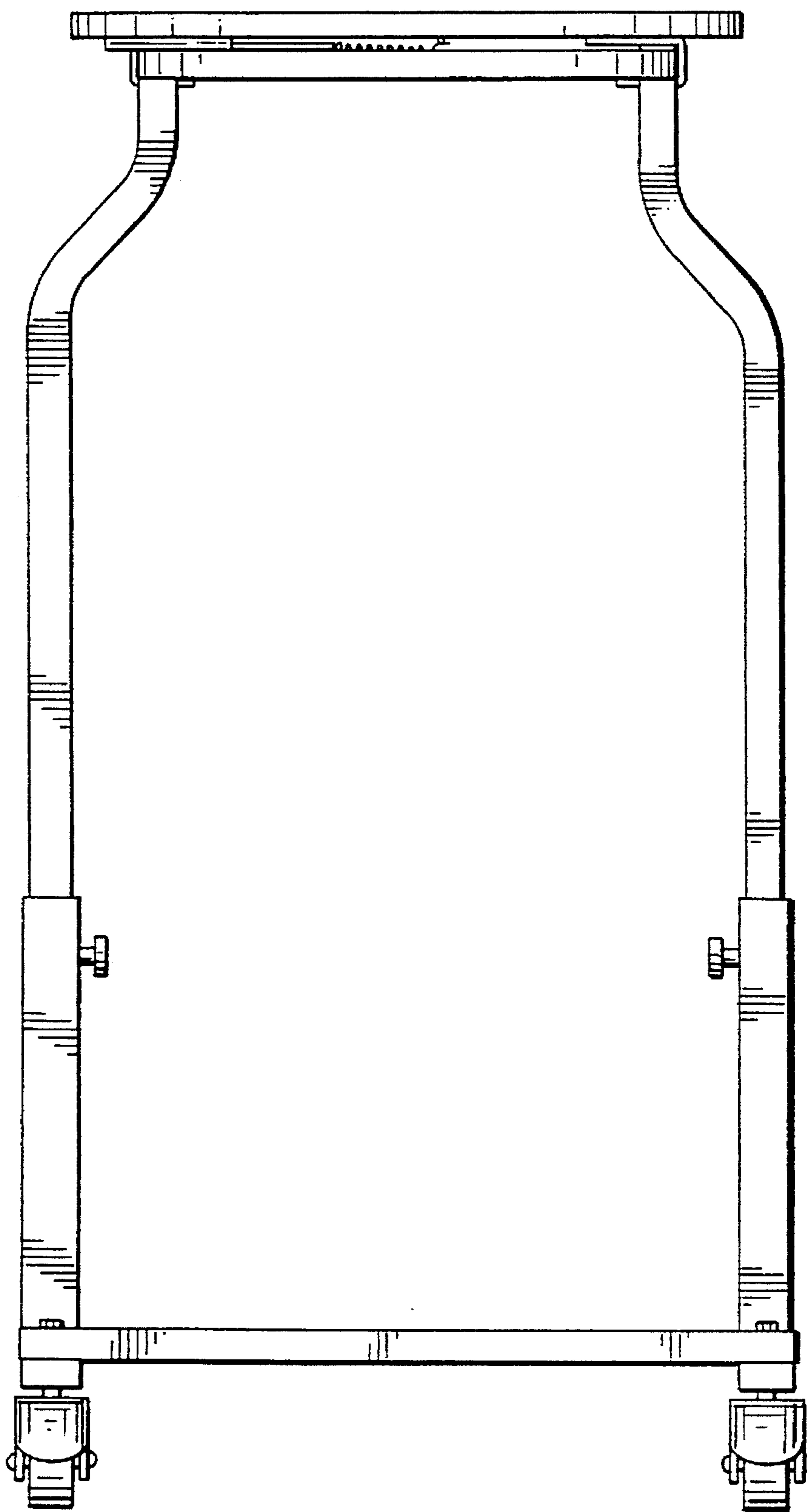


Fig. 1

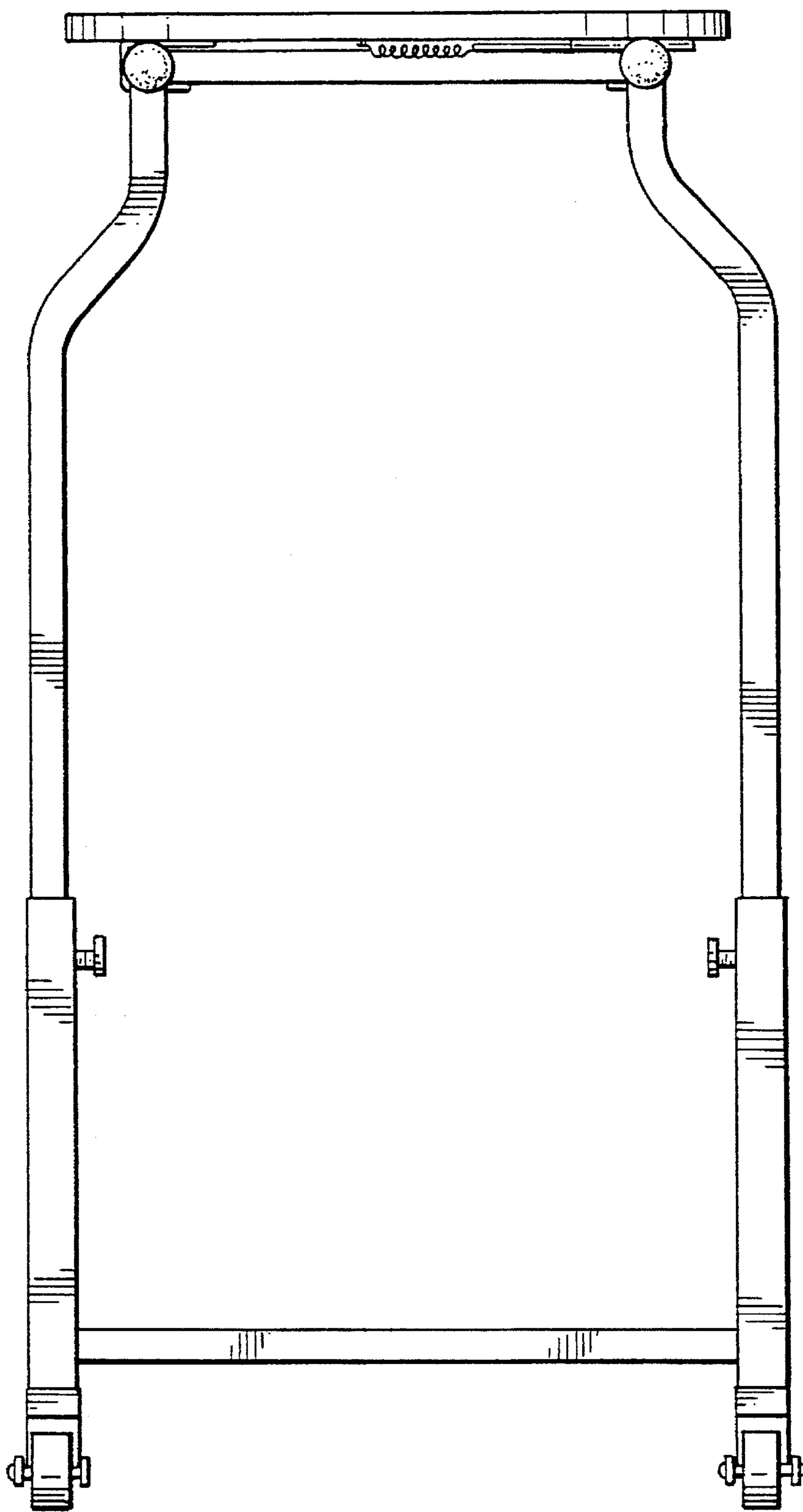


Fig. 2

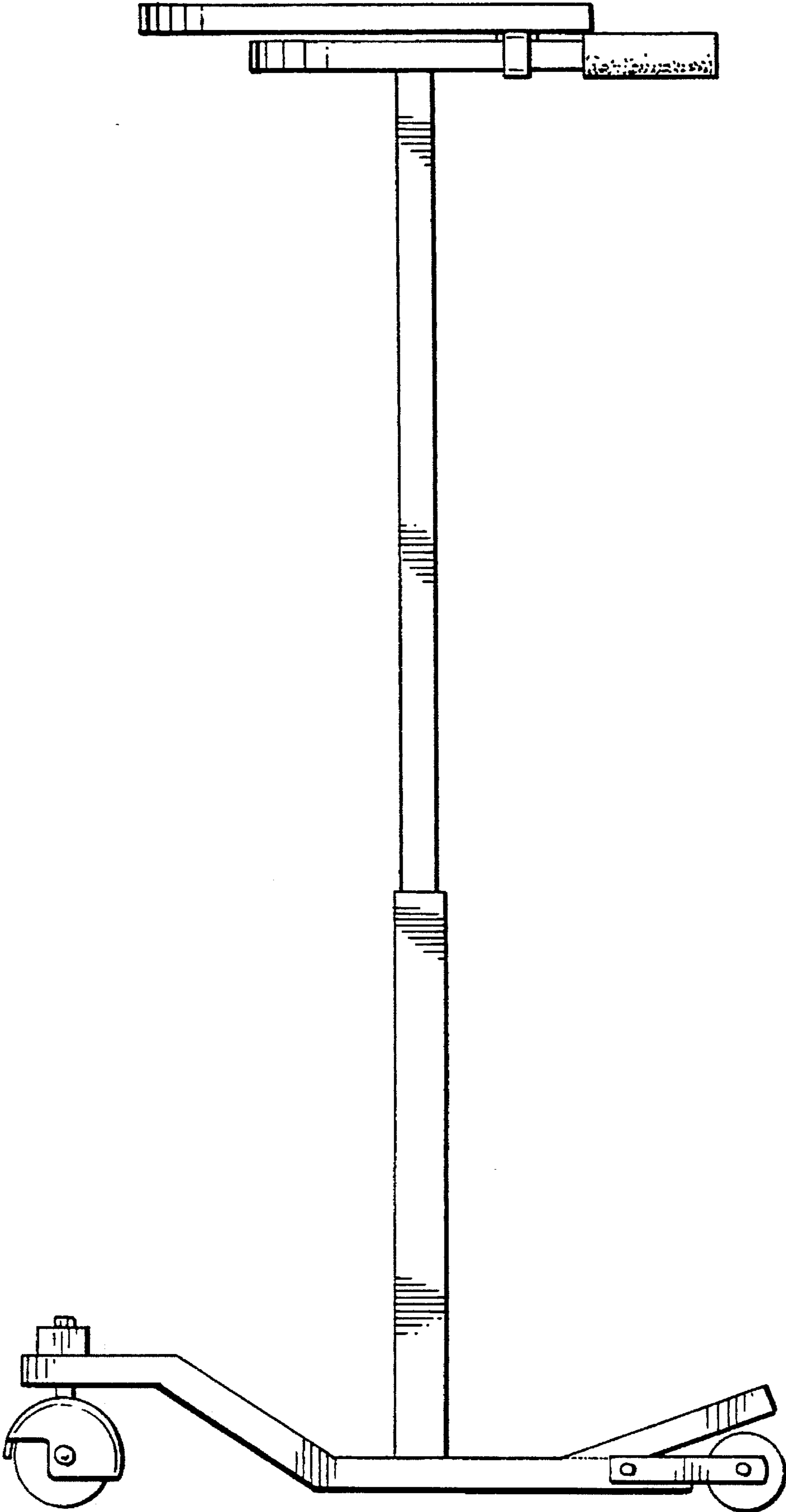


Fig. 3

Fig. 4

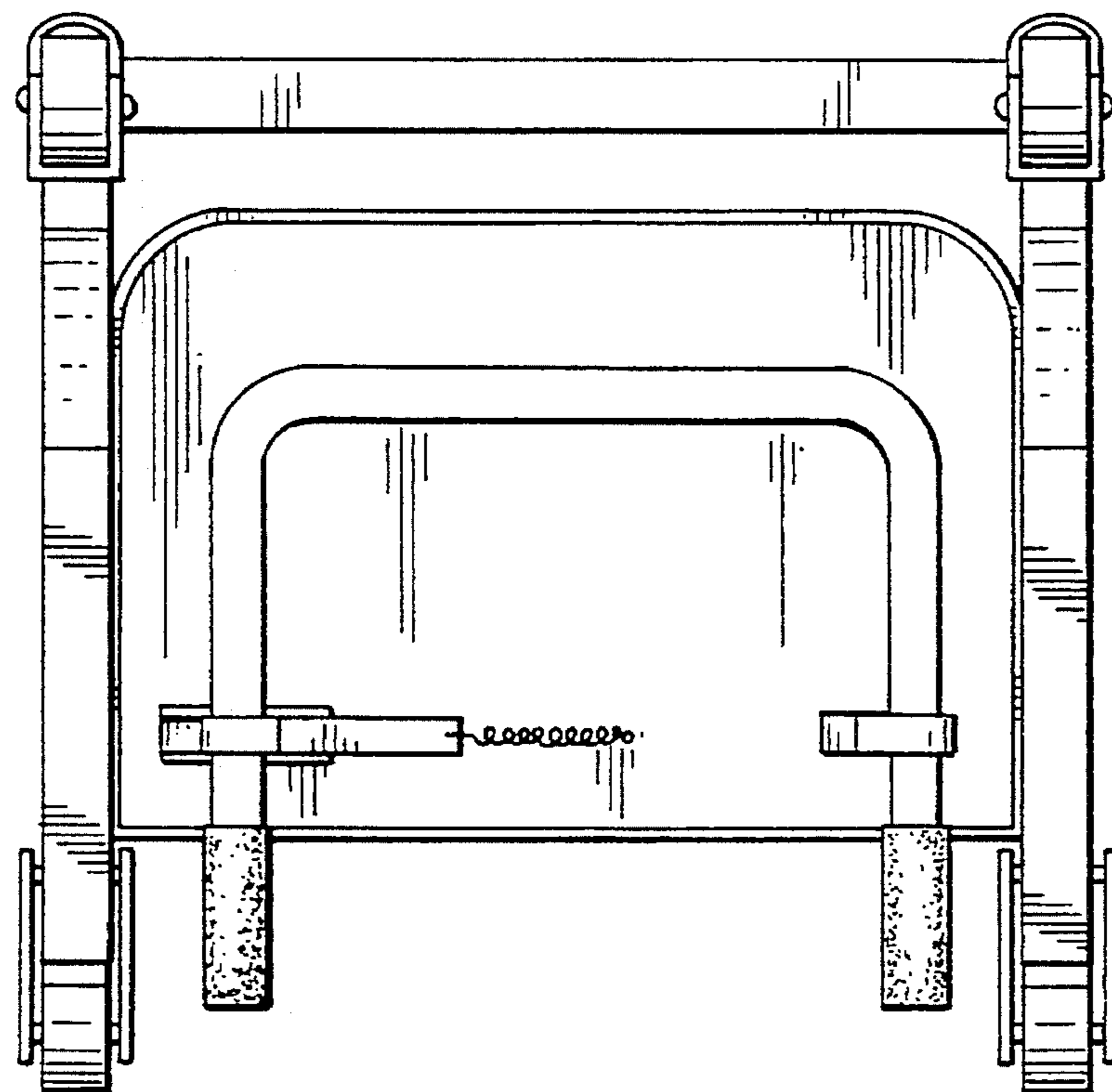
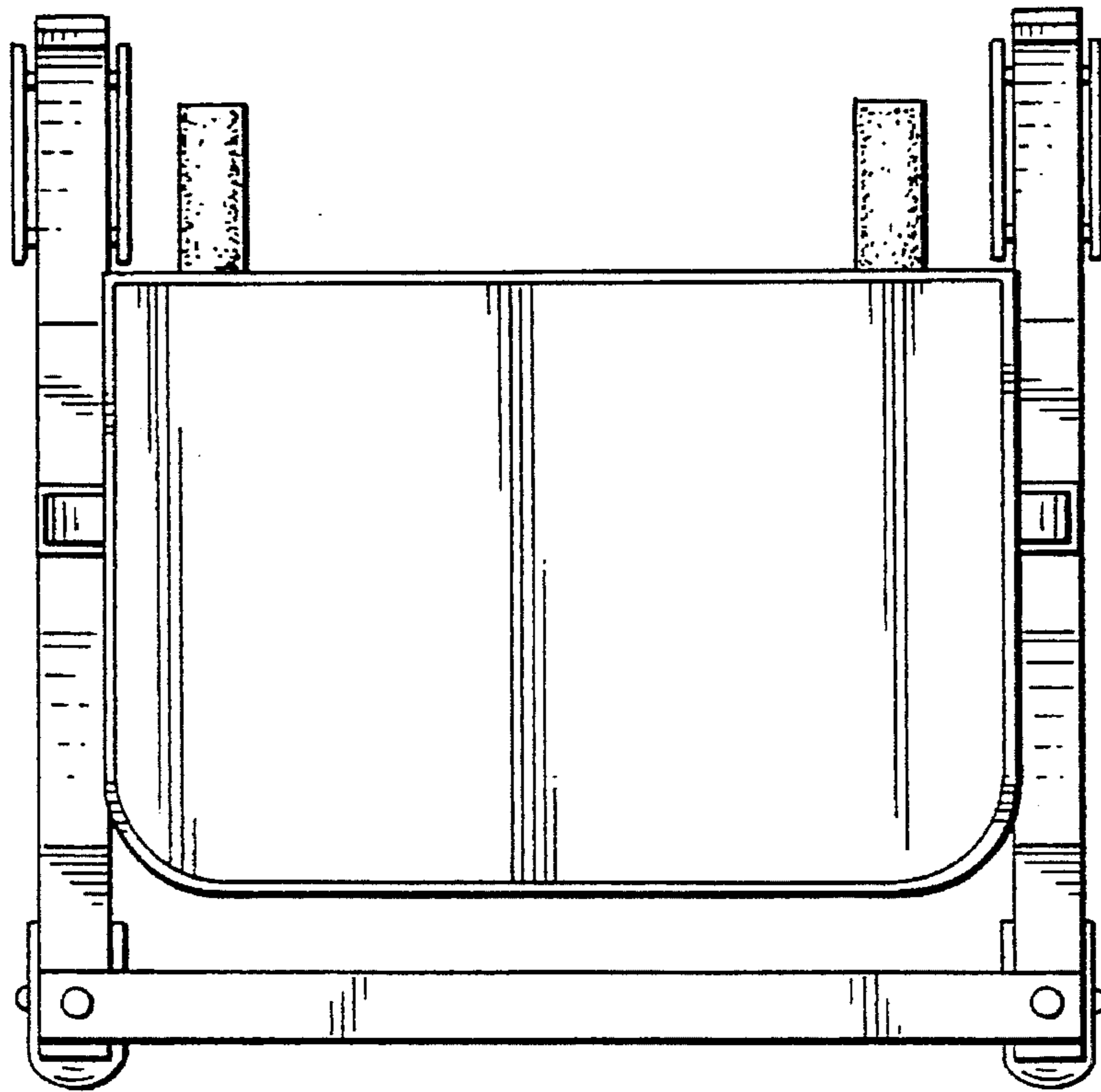


Fig. 5

Fig. 6

