



US00D363049S

# United States Patent [19]

[11] Patent Number: **Des. 363,049**

Murai

[45] Date of Patent: **\*\*Oct. 10, 1995**

[54] ATTACHMENT RING FOR A BUCKLE

[75] Inventor: **Ryukichi Murai**, Toyama, Japan

[73] Assignee: **Yoshida Kogyo K.K.**, Tokyo, Japan

[\*\*] Term: **14 Years**

[21] Appl. No.: **17,634**

[22] Filed: **Jan. 19, 1994**

[30] **Foreign Application Priority Data**

Jul. 29, 1993 [JP] Japan ..... 5-23258

[52] U.S. Cl. .... **D11/218**

[58] Field of Search ..... D11/200-220;  
24/305, 307, 633, 631, 641, 616, 170, 69 CT,  
69 RT; D20/27; 297/485

[56] **References Cited**

**U.S. PATENT DOCUMENTS**

D. 314,359	2/1991	Viglianti	.....	D11/212
D. 314,533	2/1991	Fossum	.....	D11/218
1,991,633	2/1935	Serpico	.....	297/485
2,807,852	10/1957	Rave	.....	D11/218

*Primary Examiner*—Ralf T. Seifert  
*Attorney, Agent, or Firm*—Hill, Steadman & Simpson

[57] **CLAIM**

The ornamental design for an attachment ring for a buckle, as shown and described.

**DESCRIPTION**

FIG. 1 is a front elevational view of a connection ring showing my new design;  
 FIG. 2 is a top plan view;  
 FIG. 3 is a bottom plan view;  
 FIG. 4 is a right side elevational view;  
 FIG. 5 is a cross-sectional view taken along the line 5—5 of FIG. 1;  
 FIG. 6 is a cross-sectional view taken along the line 6—6 of FIG. 1;  
 FIG. 7 is a front elevational view shown in a position of use; and,  
 FIG. 8 is cross-sectional view taken along the lines 8—8 of FIG. 7.  
 The broken line showing of a buckle and partial belt straps in FIGS. 7 and 8 are for illustrative purposes only and form no part of the claimed design.

**1 Claim, 4 Drawing Sheets**

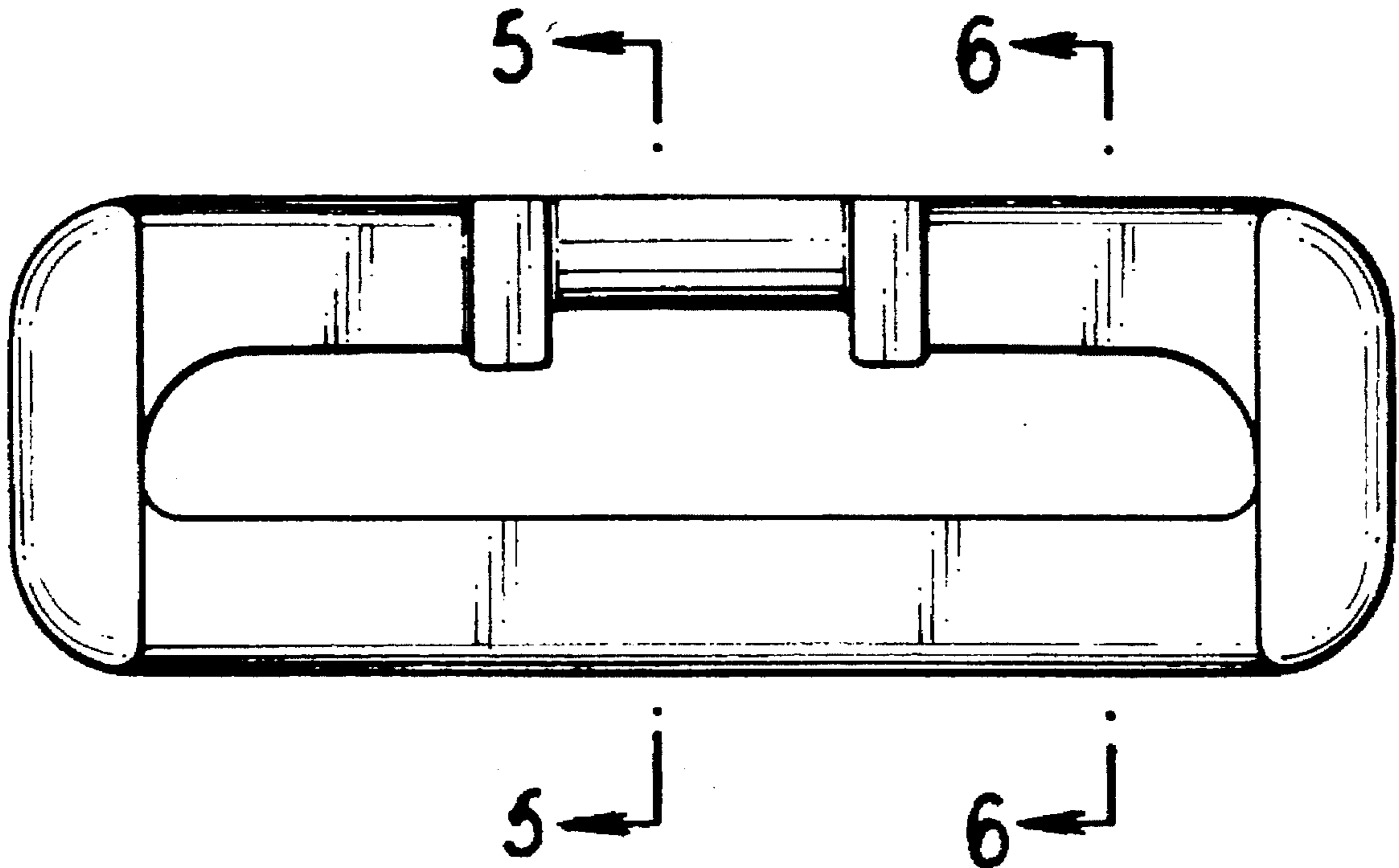


FIG. 1

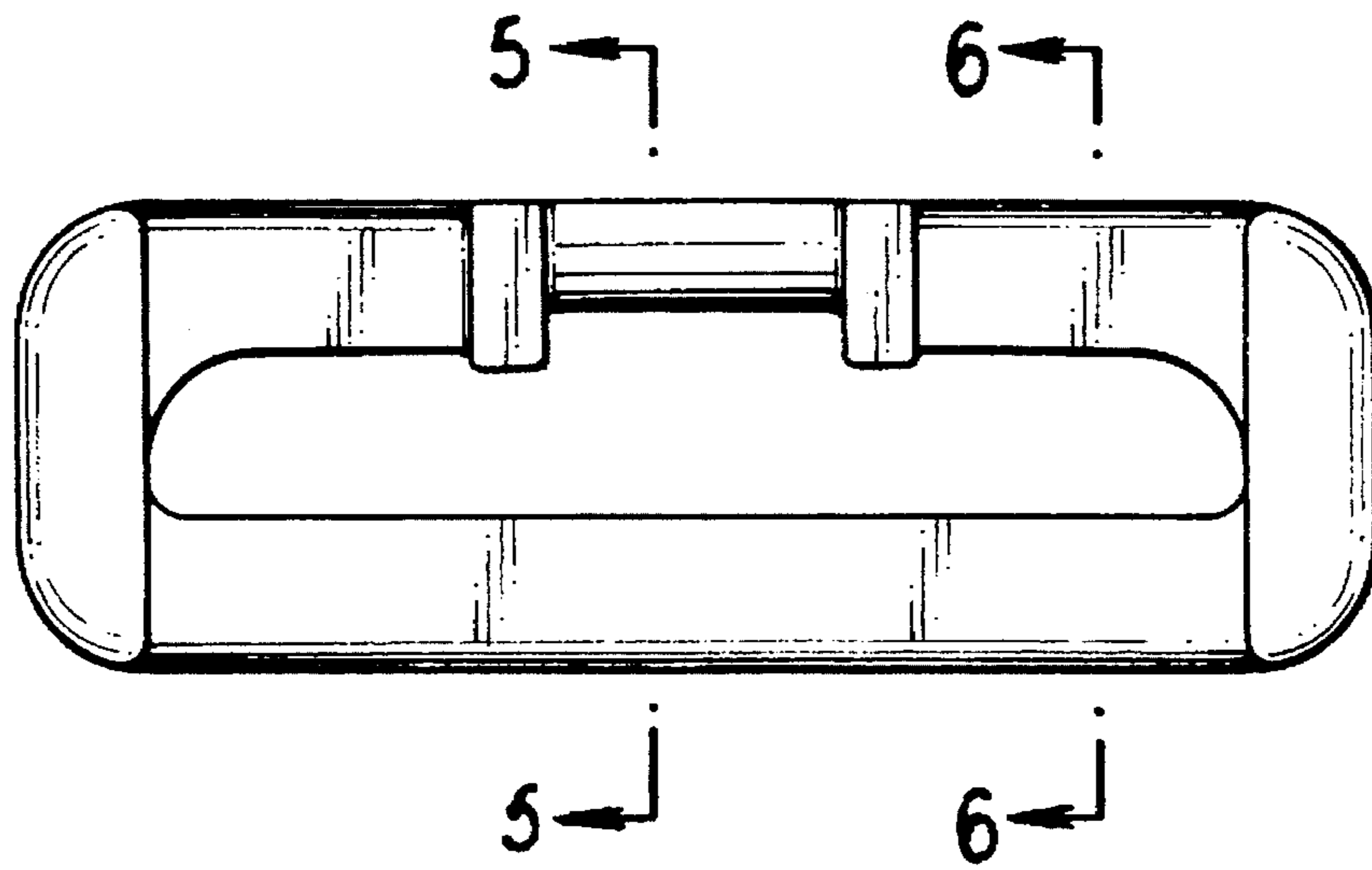


FIG. 2

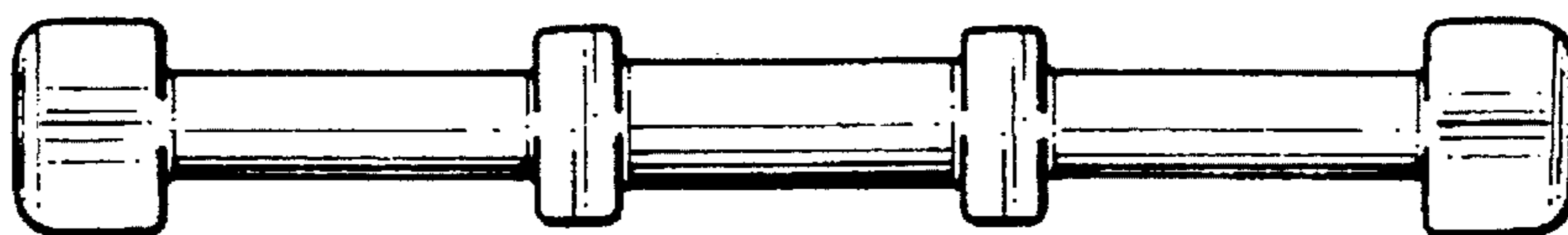


FIG. 3

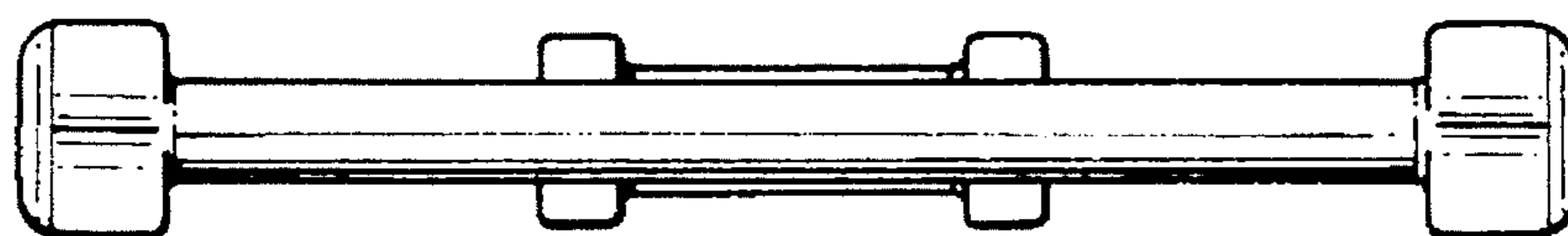


FIG. 4

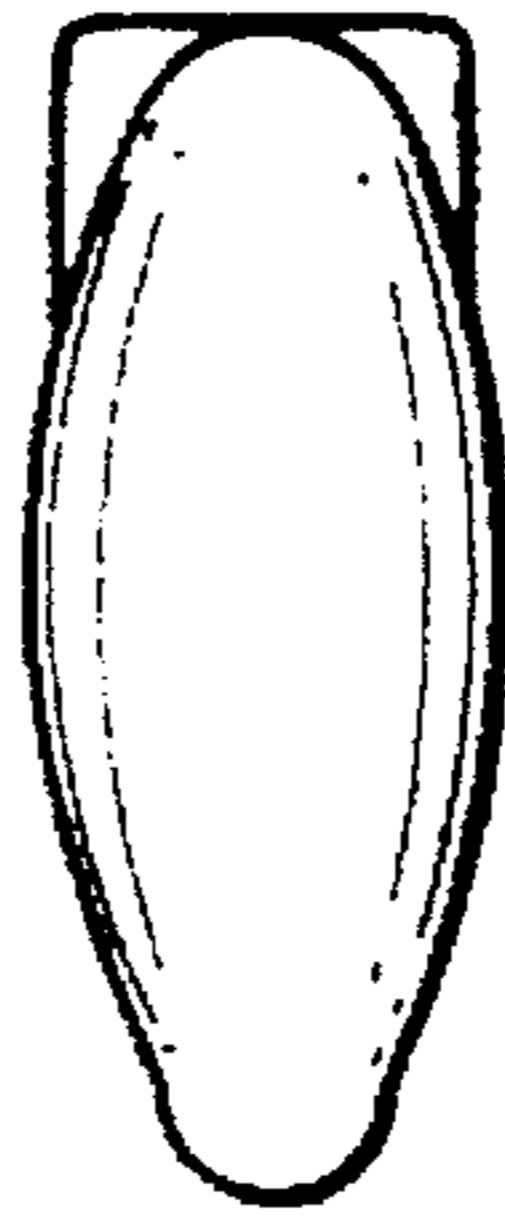


FIG. 5

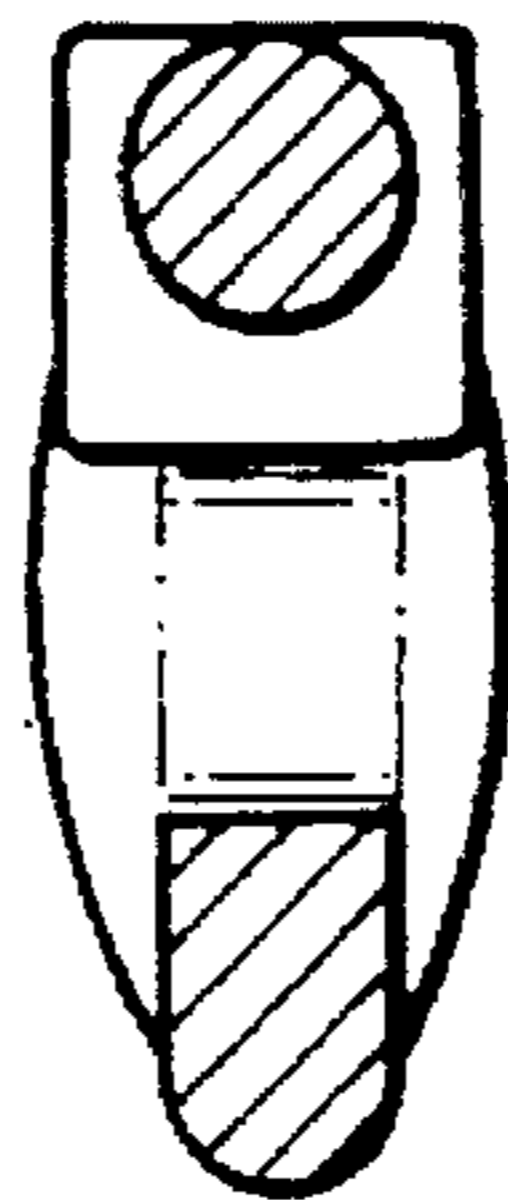


FIG. 6

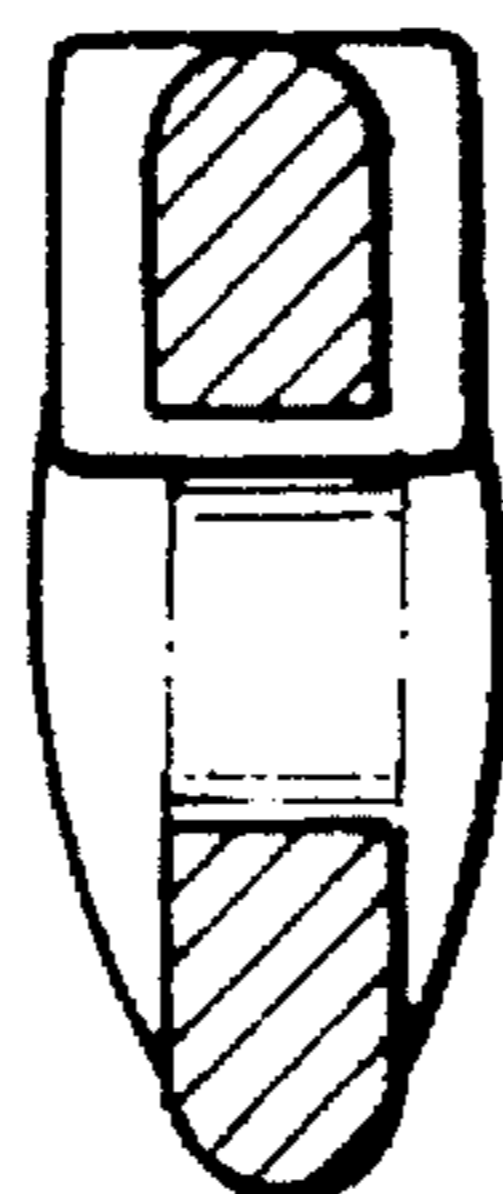


FIG. 7

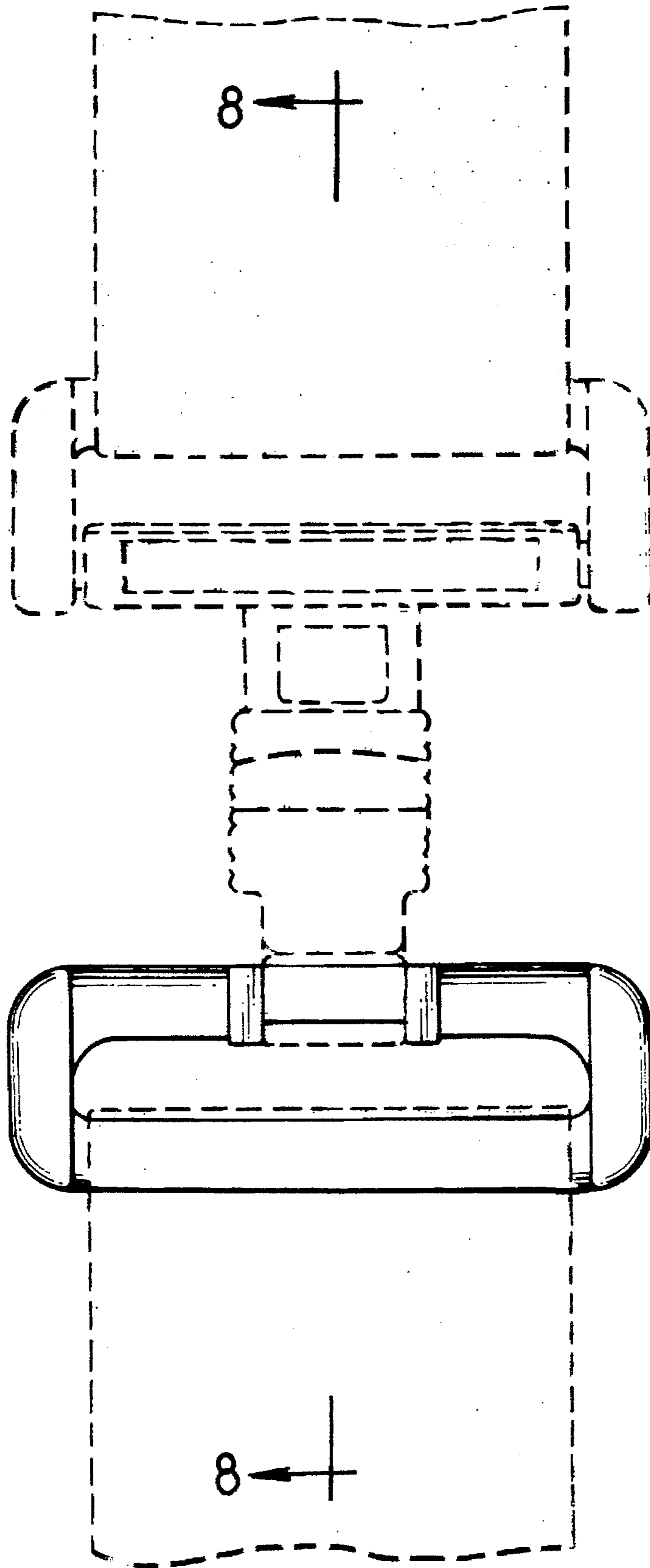


FIG. 8

