



US00D363041S

United States Patent [19]

[11] Patent Number: **Des. 363,041**

Ridenour

[45] Date of Patent: ****Oct. 10, 1995**

[54] **JEWELRY CHARM**

Primary Examiner—Ralf Seifert

[76] Inventor: **Charles A. Ridenour**, 207 Murray Ave., Fairmont, W. Va. 26554

Attorney, Agent, or Firm—Donald A. Kettlestrings

[**] Term: **14 Years**

[57] **CLAIM**

The ornamental design for a jewelry charm, as shown and described.

[21] Appl. No.: **26,867**

DESCRIPTION

[22] Filed: **Aug. 8, 1994**

[52] U.S. Cl. **D11/81; D11/61**

[58] Field of Search D11/1, 2, 40-48, D11/79-116, 61; 63/1.1, 2, 12, 13, 20, 1.8

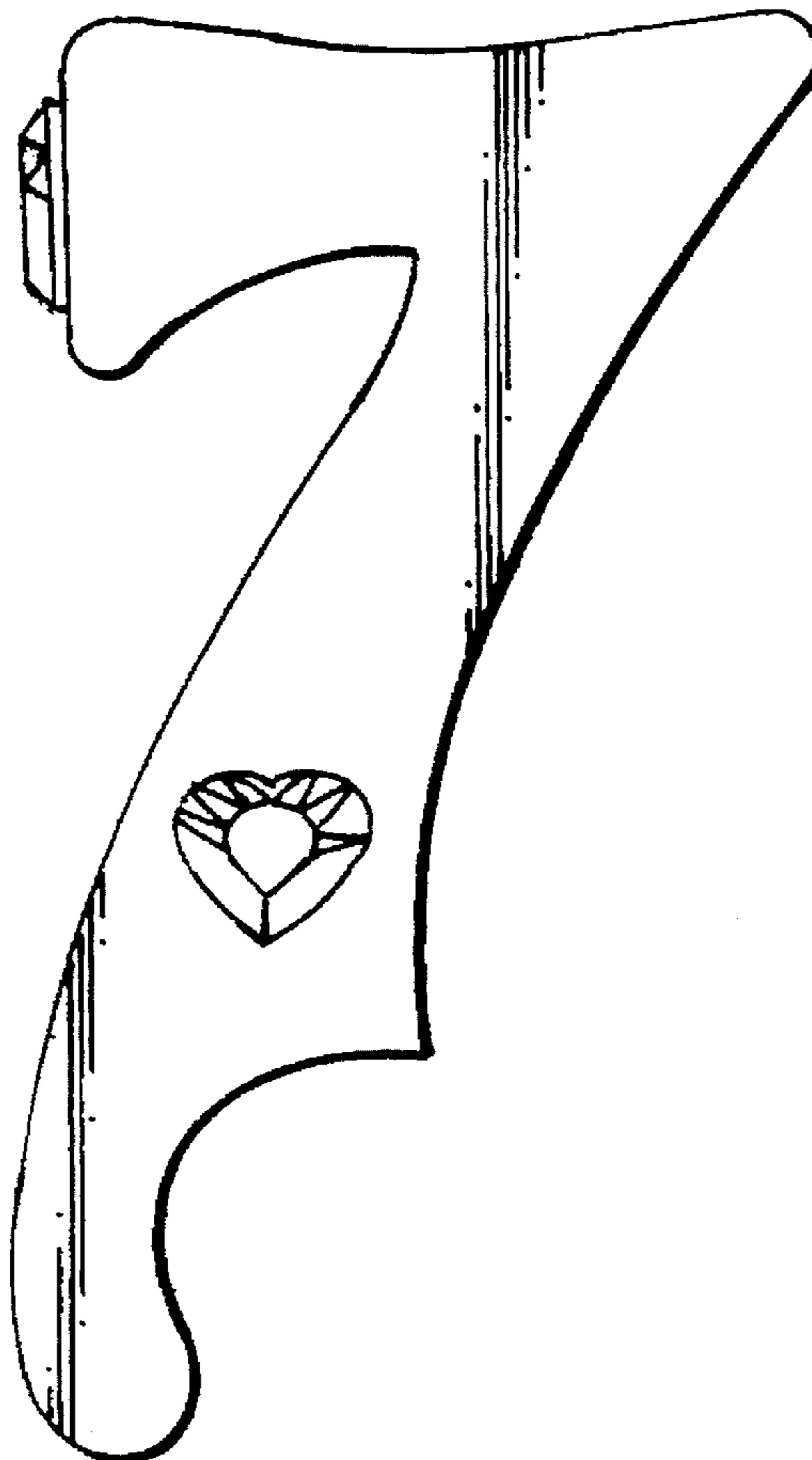
FIG. 1 is a front elevational view of a jewelry charm showing my new design;
FIG. 2 is a rear elevation view of the first embodiment;
FIG. 3 is a top plan view of the first embodiment;
FIG. 4 is a bottom plan view of the first embodiment;
FIG. 5 is a left-side elevation view of the first embodiment;
FIG. 6 is a right-side elevation view of the first embodiment;
FIG. 7 is a front elevational view of a jewelry charm showing a second embodiment of my new design;
FIG. 8 is a rear elevation view of the second embodiment;
FIG. 9 is a top plan view of the second embodiment;
FIG. 10 is a bottom plan view of the second embodiment;
FIG. 11 is a left-side elevation view of the second embodiment; and,
FIG. 12 is a right-side elevation view of the second embodiment.

[56] **References Cited**

U.S. PATENT DOCUMENTS

16,647	4/1886	Whitehouse	D11/116
38,137	7/1906	Davison	D11/116
D. 247,881	5/1978	Hitchens	D11/61
D. 248,936	8/1978	Lohan	D11/61
D. 252,196	6/1979	Gehrke	
D. 283,688	5/1986	Ahee	D11/61
D. 294,809	3/1988	Robinson	D11/61
D. 314,728	2/1991	Wick	D11/61
D. 325,708	4/1992	O'Malley	D11/61

1 Claim, 2 Drawing Sheets



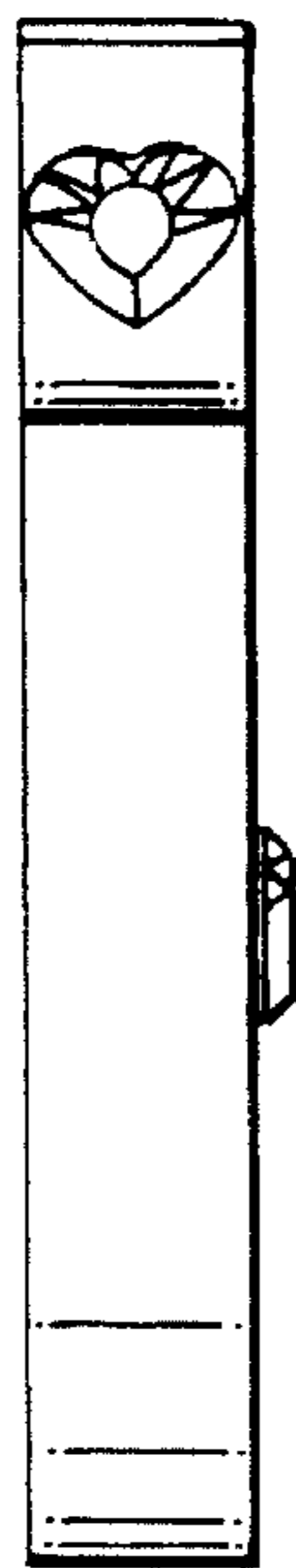
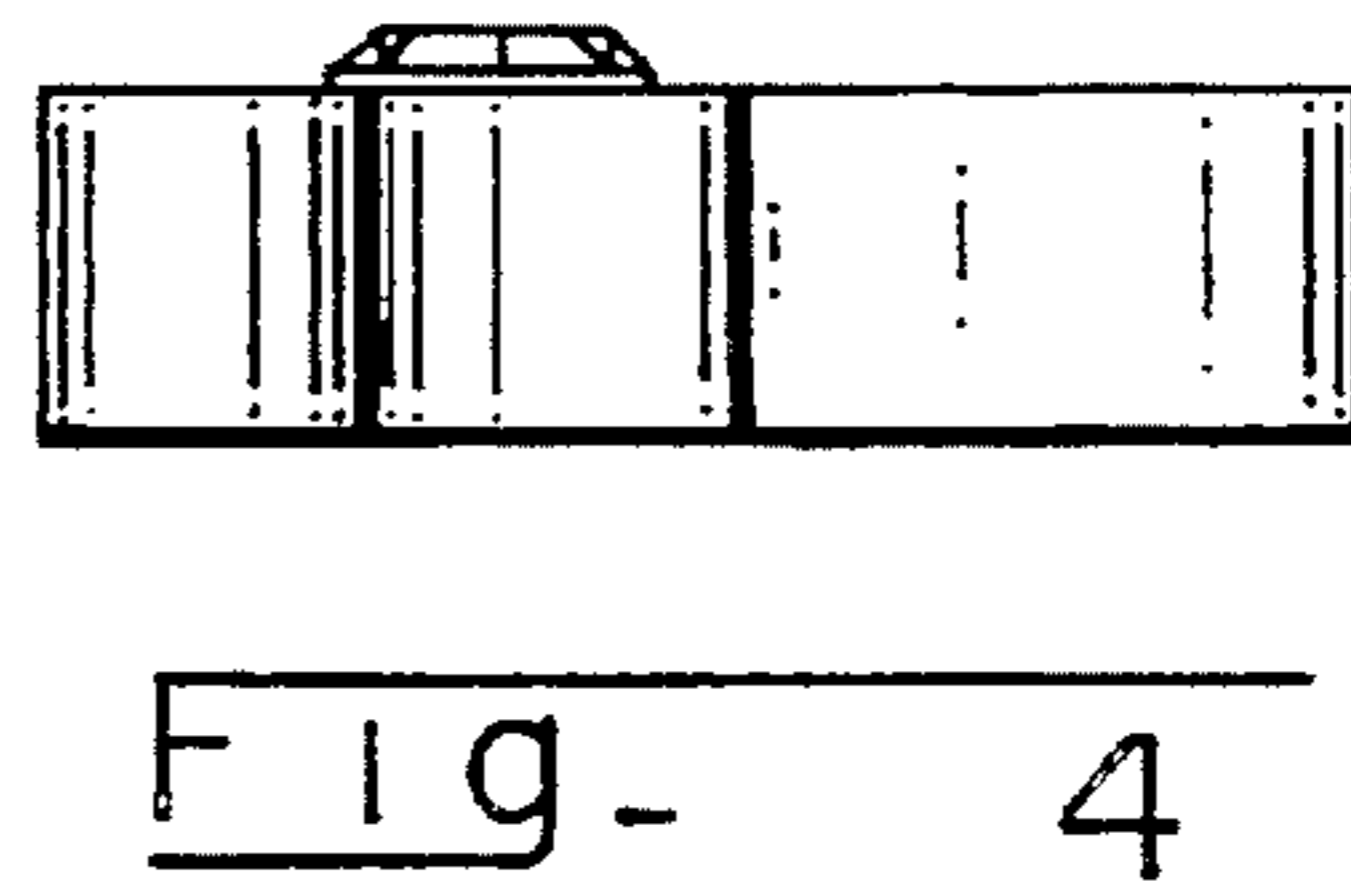
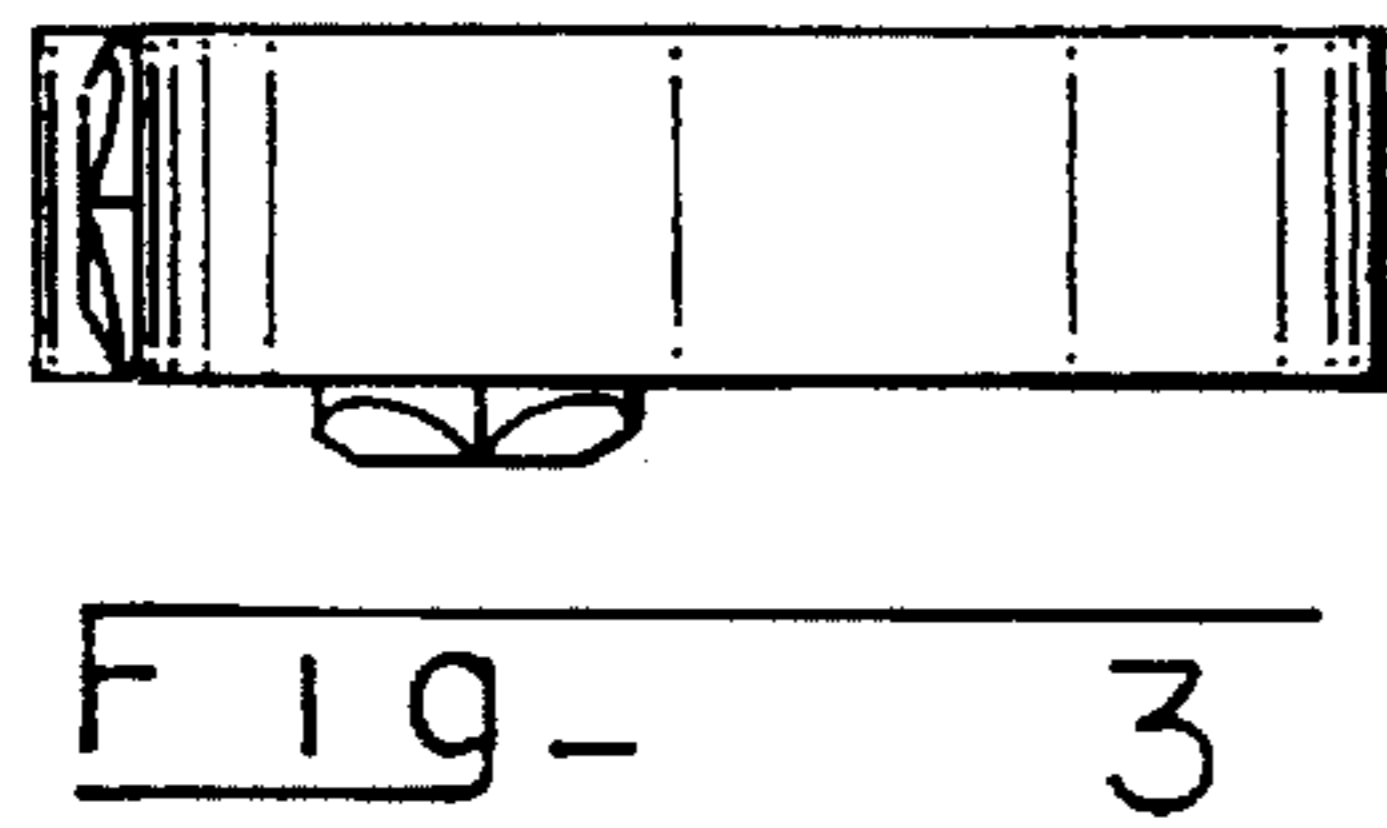
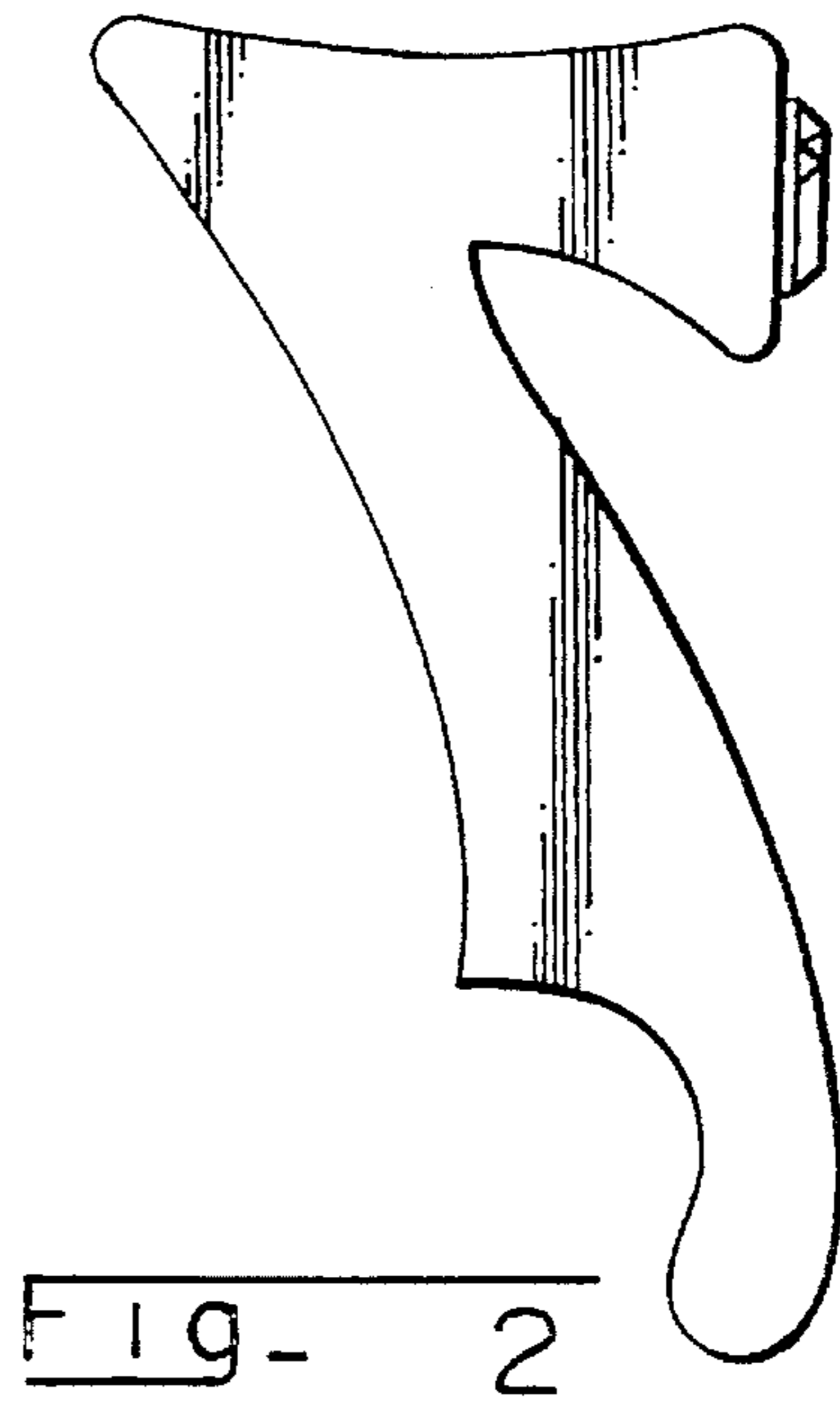
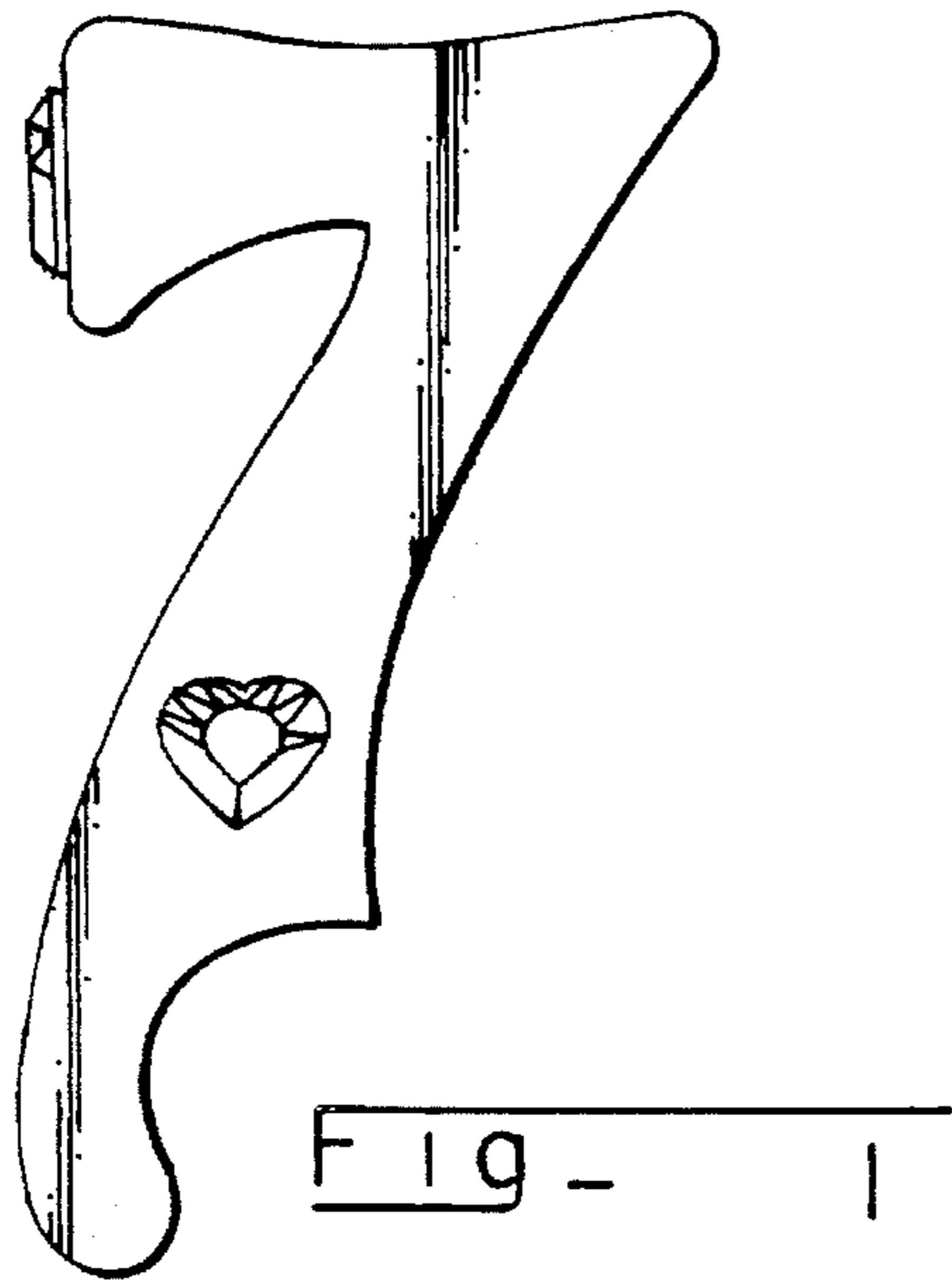


FIG - 5

FIG - 6

