



US00D363033S

# United States Patent [19]

[11] Patent Number: **Des. 363,033**

**Doucet**

[45] Date of Patent: **\*\*Oct. 10, 1995**

[54] LEVEL FOR HAND-HELD ITEMS

4,591,250 5/1986 Woodruff ..... 33/334  
4,663,856 5/1987 Hall et al. .... D10/69 X

[76] Inventor: **Ervis Doucet**, 2727 Avalon St.,  
Jefferson, La. 70121

*Primary Examiner*—Antoine Duval Davis  
*Attorney, Agent, or Firm*—Terry M. Gernstein

[\*\*] Term: **14 Years**

### [57] CLAIM

[21] Appl. No.: **25,354**

The ornamental design for a level for hand-held items, as shown and described.

[22] Filed: **Jun. 30, 1994**

[52] U.S. Cl. .... **D10/69**

### DESCRIPTION

[58] Field of Search ..... D8/70; D10/69;  
29/76.1; 33/334, 347, 371, 382, 390; 144/134 R;  
408/16, 241 G

FIG. 1 is a front, top and side perspective view of the level for hand-held items showing my new design;

FIG. 2 is a front elevational view thereof, the rear being a identical image of the front shown in FIG. 2;

FIG. 3 is an end elevational view thereof, the end opposite being a identical image of the end shown in FIG. 3;

FIG. 4 is a top plan view thereof; and,

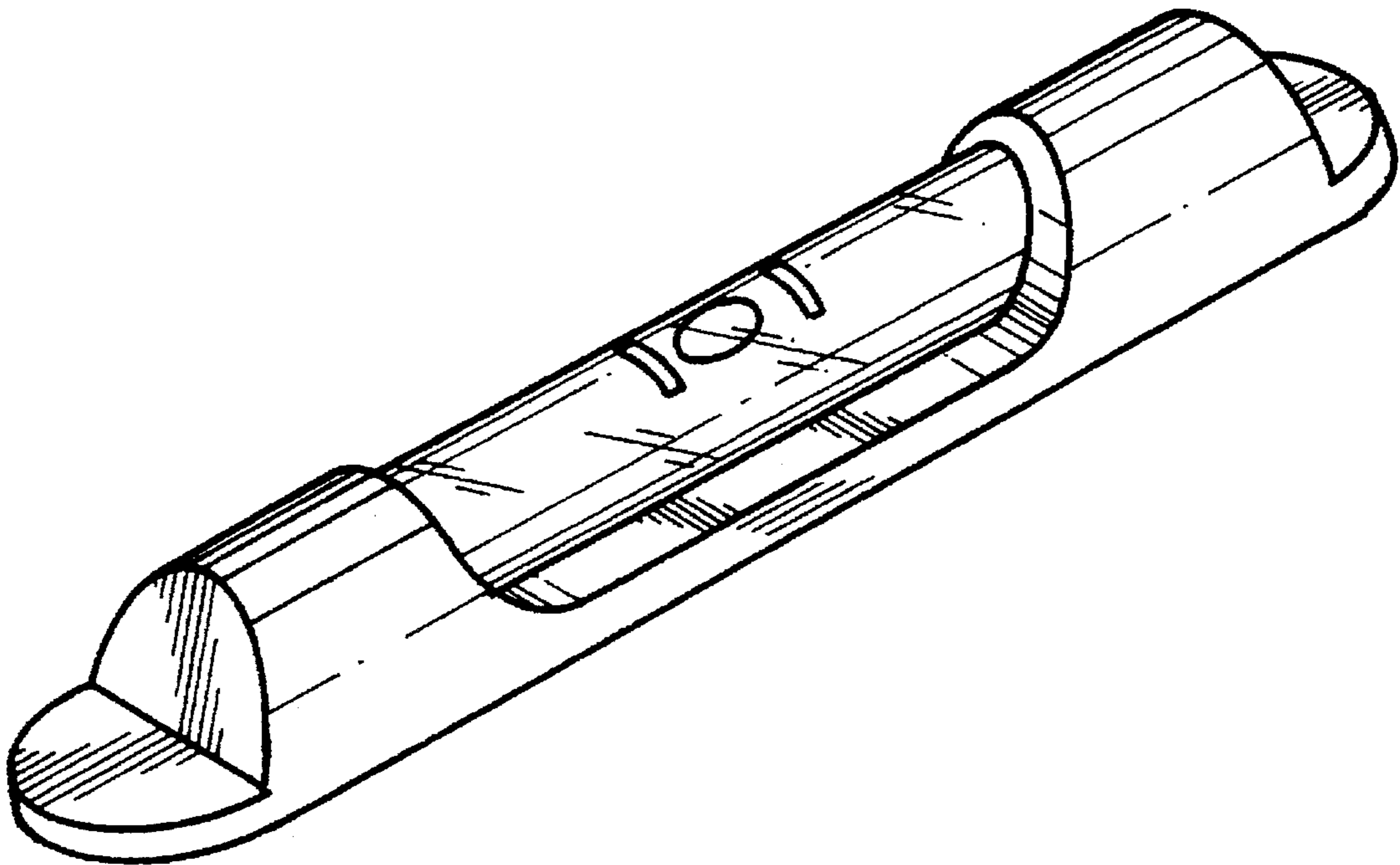
FIG. 5 is a bottom plan view thereof.

### [56] References Cited

#### U.S. PATENT DOCUMENTS

D. 229,341	11/1973	West et al. ....	D10/69
D. 256,337	8/1980	Derryberry et al. ....	D10/69
2,551,301	5/1951	Terry, Jr. ....	33/334
3,816,864	6/1974	Cotter ....	33/334
4,457,078	7/1984	Suchy ....	33/334

**1 Claim, 2 Drawing Sheets**



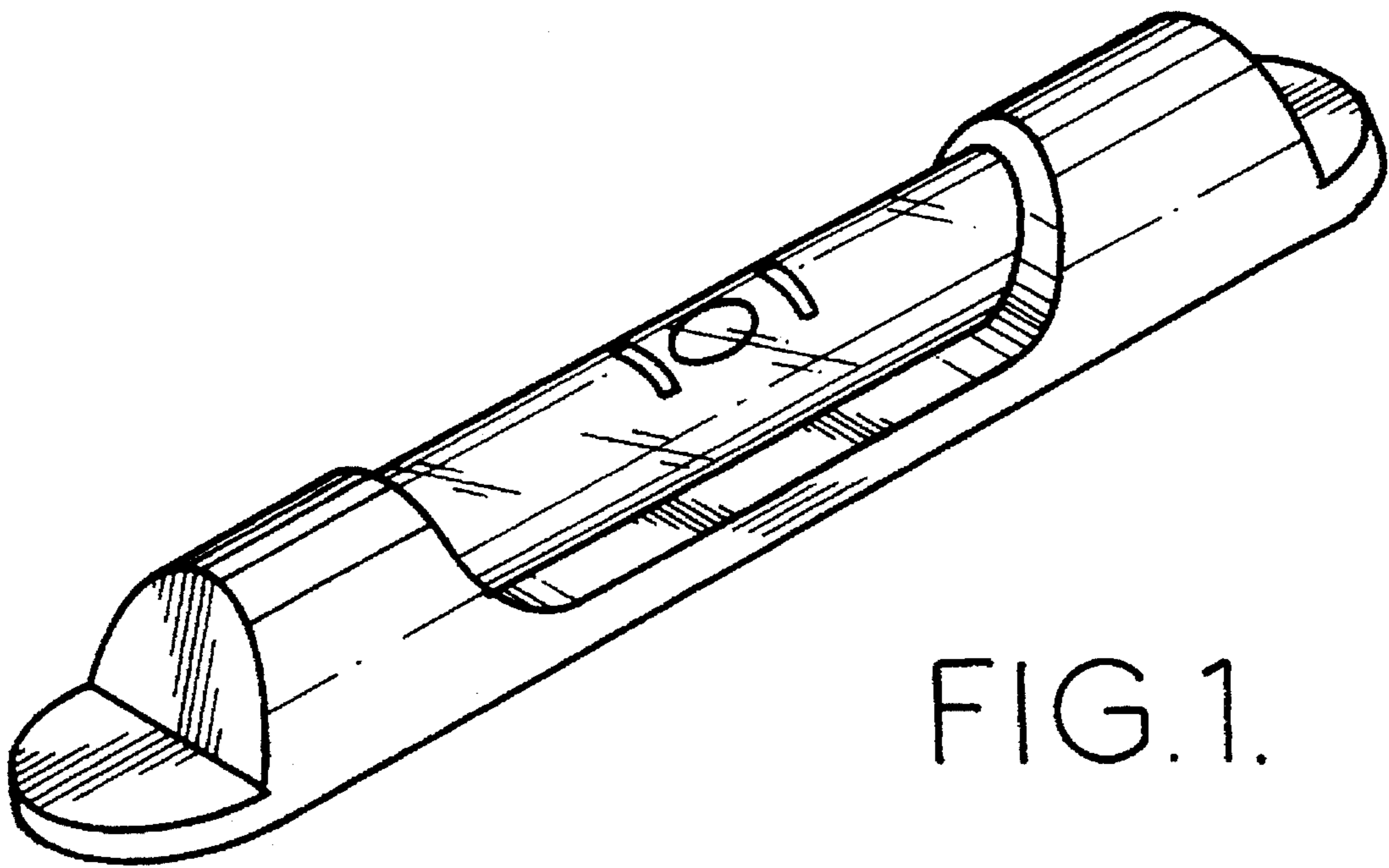


FIG. 1.

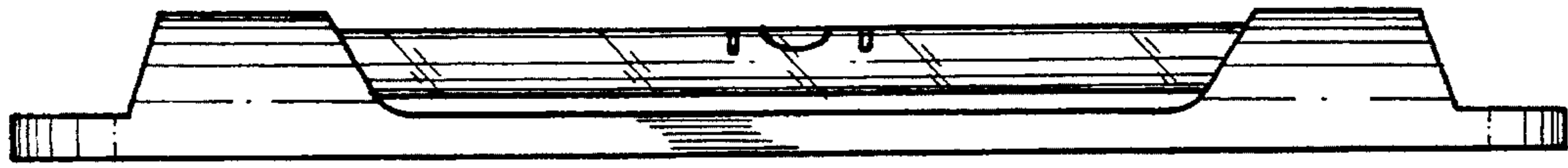


FIG. 2.

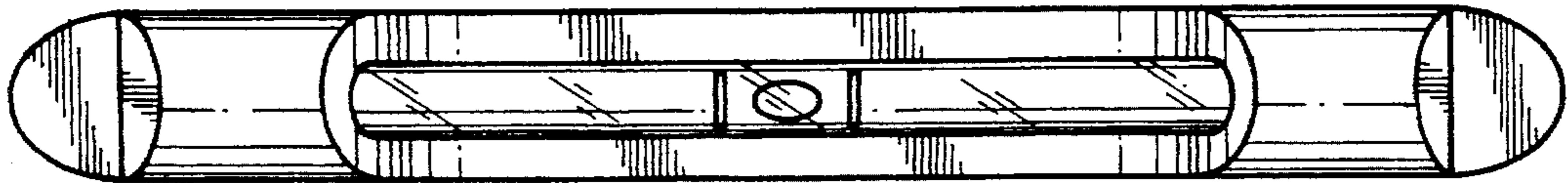


FIG. 4.



FIG. 5.

FIG. 3.

