



US00D363025S

United States Patent [19]

[11] Patent Number: **Des. 363,025**

Deflander et al.

[45] Date of Patent: ****Oct. 10, 1995**

[54] **DISPENSING CLOSURE**

[75] Inventors: **Joseph F. Deflander**, Wespelaar; **Nadi Bilani**, Strombeek-Bever; **Johan W. Declerck**, Ichtegem, all of Belgium; **Antonio C. Hu**, Palo Alto, Calif.; **Peter W. Hamilton**, Cincinnati; **Leane K. Davis**, Milford, both of Ohio

[73] Assignee: **The Procter & Gamble Company**, Cincinnati, Ohio

[**] Term: **14 Years**

[21] Appl. No.: **14,497**

[22] Filed: **Oct. 22, 1993**

Related U.S. Application Data

[63] Continuation-in-part of Ser. No. 825,188, Jan. 24, 1992, Pat. No. Des. 350,482.

[52] U.S. Cl. **D9/449**

[58] Field of Search D9/434-440, 444-449, D9/452-454, 504; 215/201, 224, 235-236; 220/915; 222/182, 204, 209, 320, 335, 372, 382-383, 400.5, 405, 416, 470, 478, 575

References Cited

U.S. PATENT DOCUMENTS

D. 179,833	3/1957	Zelony	D9/439
D. 200,182	1/1965	Crowell et al.	D9/448
D. 209,789	1/1968	Huston	D9/435
D. 256,672	9/1980	Beck	D9/454
D. 264,939	6/1982	Stock	D9/453 X
D. 264,941	6/1982	Stock	D9/453 X
D. 265,060	6/1982	Blank	D9/449

D. 292,673	11/1987	Woodruff et al.	D9/439
D. 305,871	2/1990	Geiger	D9/435
D. 306,701	3/1990	Beck	D9/447
D. 306,978	4/1990	Paulovich	D9/447
D. 314,147	1/1991	Davis	D9/446
D. 323,110	1/1992	Simms et al.	D9/446
D. 350,482	9/1994	Hu et al.	D9/448
3,104,039	9/1963	Dike	D9/450 X
3,107,035	10/1963	Cholet	D9/447 X
4,377,247	3/1983	Hazard et al.	215/235
4,759,455	7/1988	Wilson	215/224
4,854,473	8/1989	Dubach	215/235 X
5,007,555	4/1991	Beck	215/235
5,115,931	5/1992	Dubach	215/235
5,143,234	9/1992	Lohrman et al.	215/235
5,148,912	9/1992	Nozawa	215/235 X

Primary Examiner—Alan P. Douglas
Assistant Examiner—Robert M. Spear
Attorney, Agent, or Firm—Ronald W. Kock

[57] CLAIM

The ornamental design for a dispensing closure, as shown and described.

DESCRIPTION

FIG. 1 is a top plan view of a dispensing closure embodying our new design;
FIG. 2 is a rear elevational view thereof;
FIG. 3 is a front elevational view thereof;
FIG. 4 is a right side elevational view thereof, the left side elevational view being a mirror image of the right side elevational view;
FIG. 5 is a bottom plan view thereof;
FIG. 6 is a perspective elevational view thereof; and,
FIG. 7 is a cross-sectional view thereof, taken along section line 7—7 of FIG. 1.

1 Claim, 4 Drawing Sheets

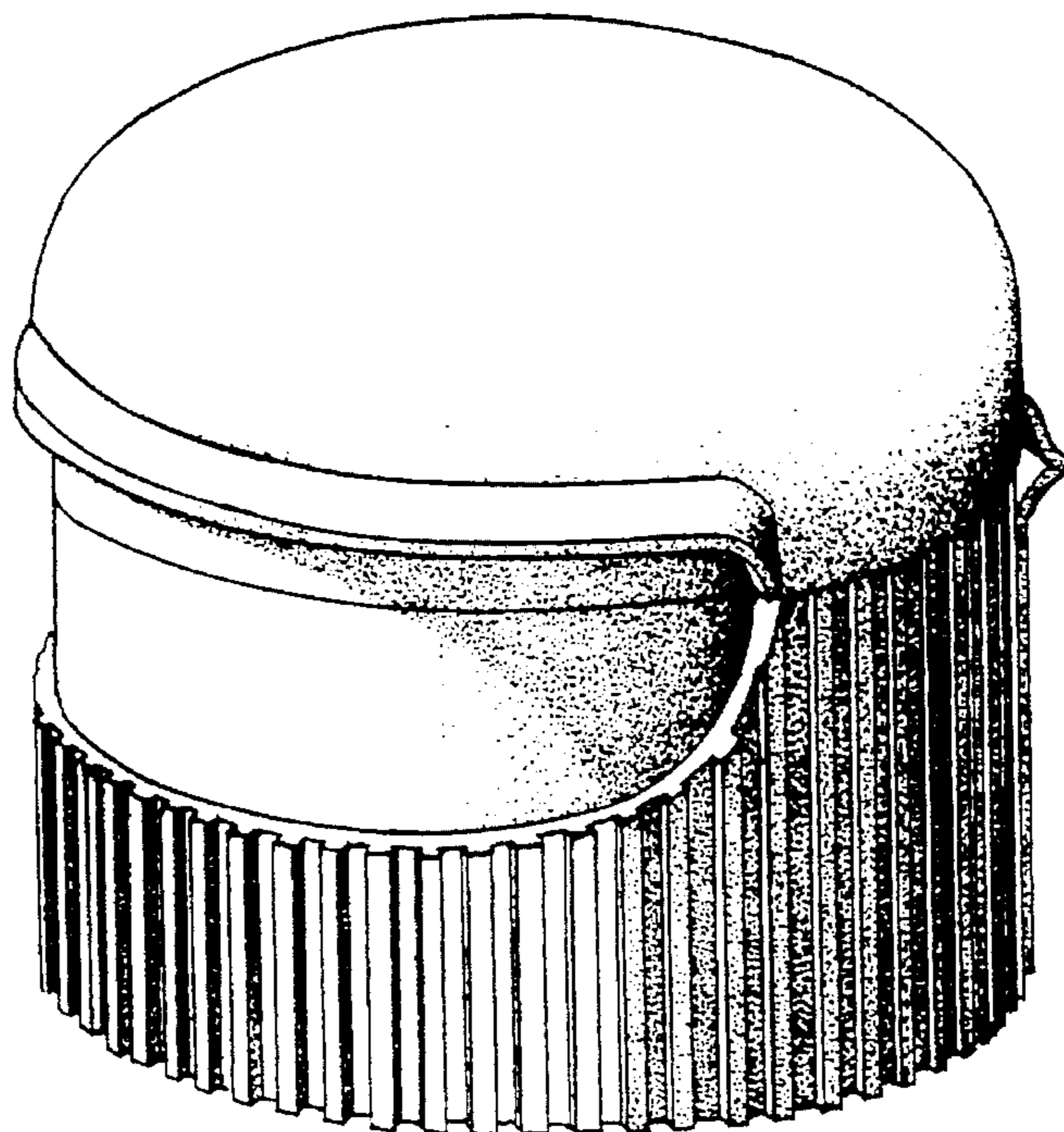


Fig. 1

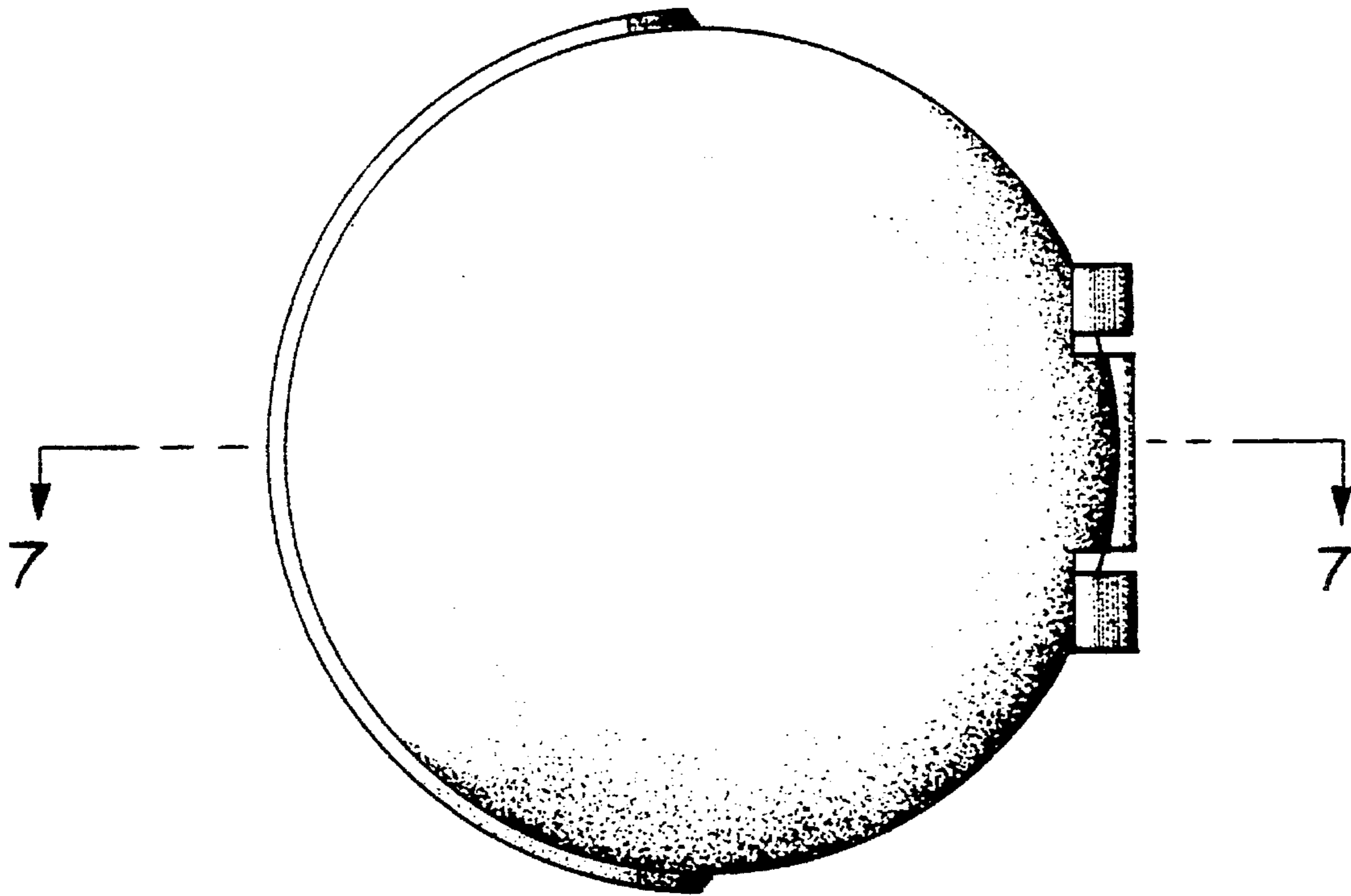


Fig. 2

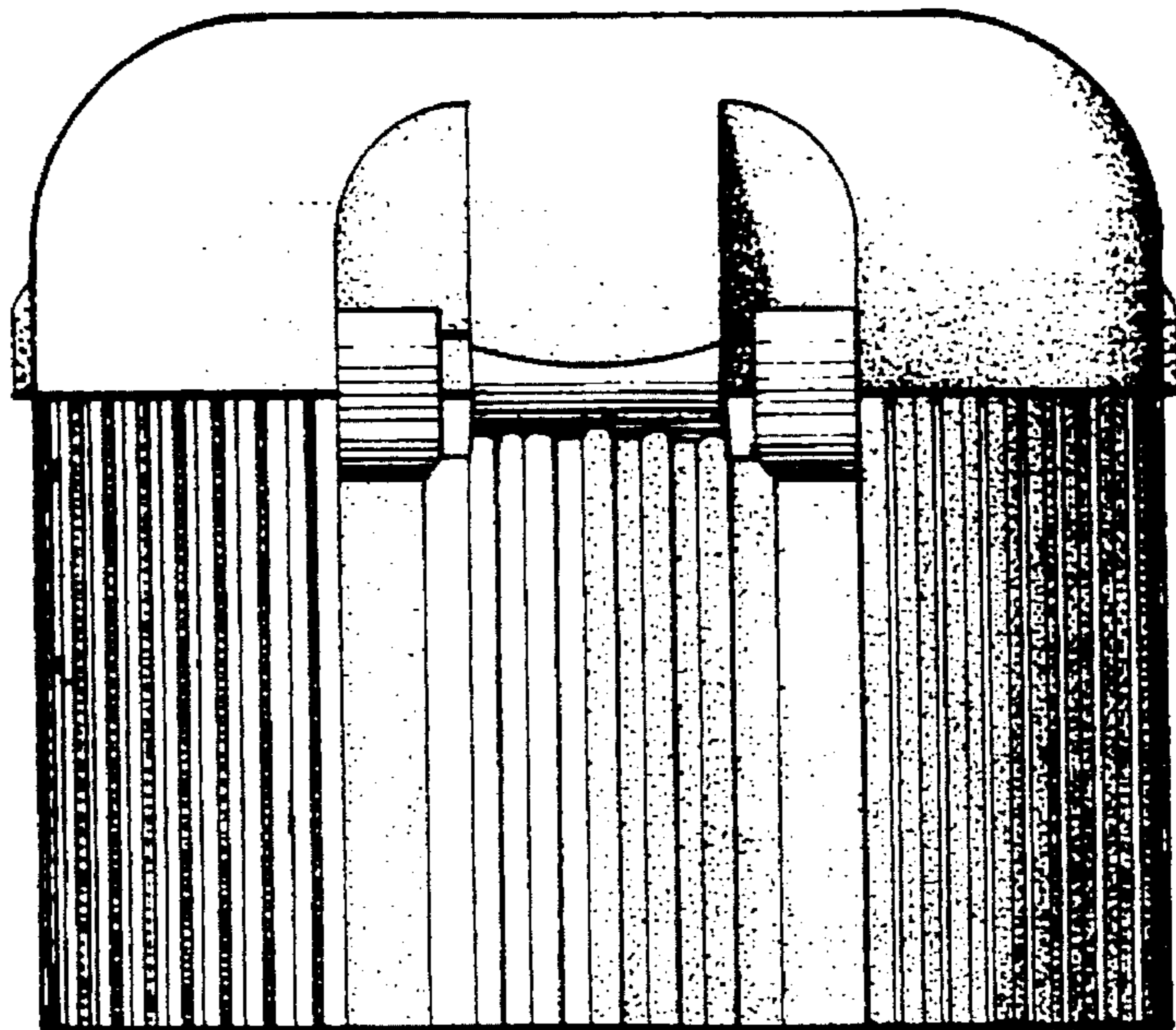


Fig. 3

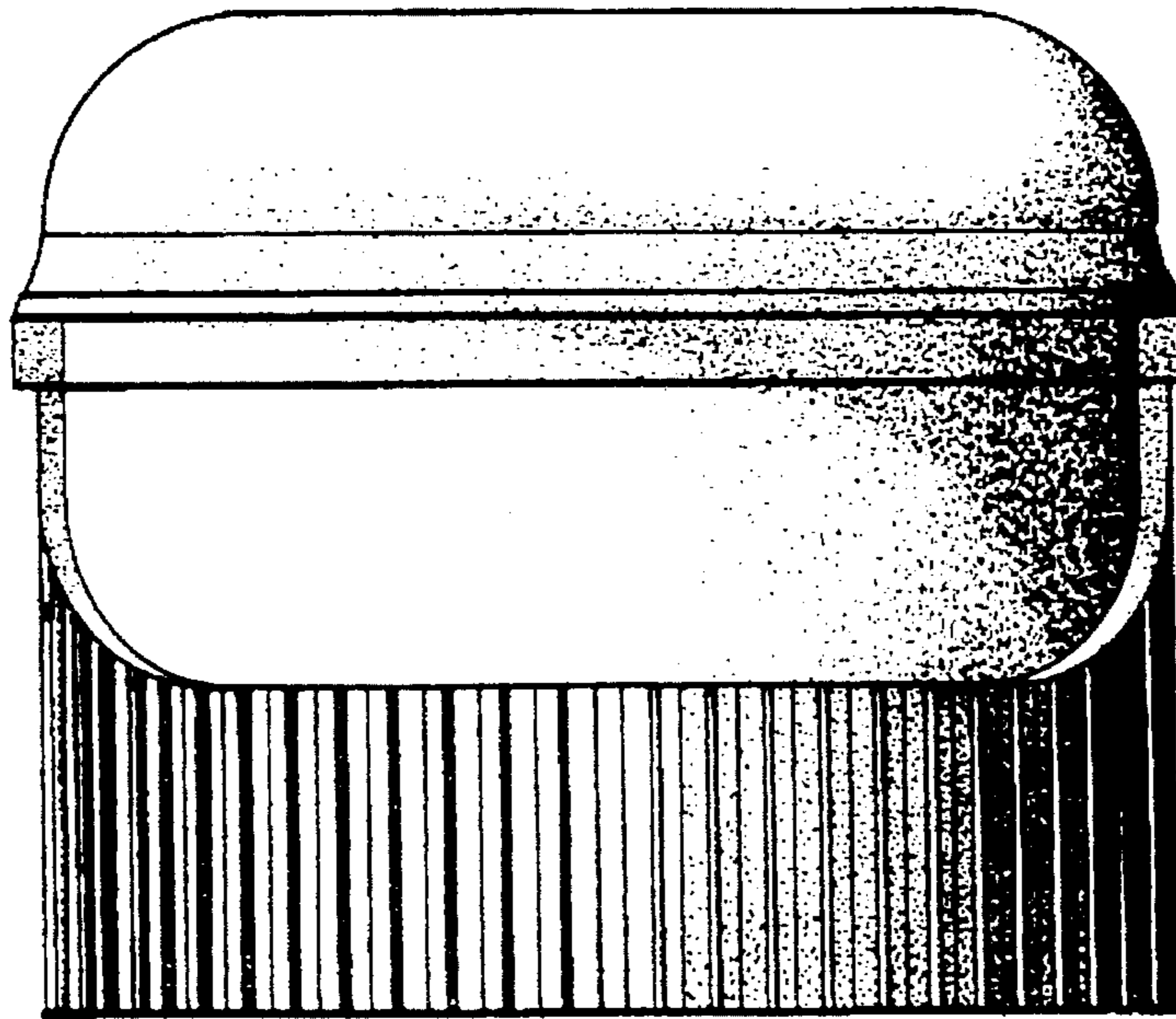


Fig. 4

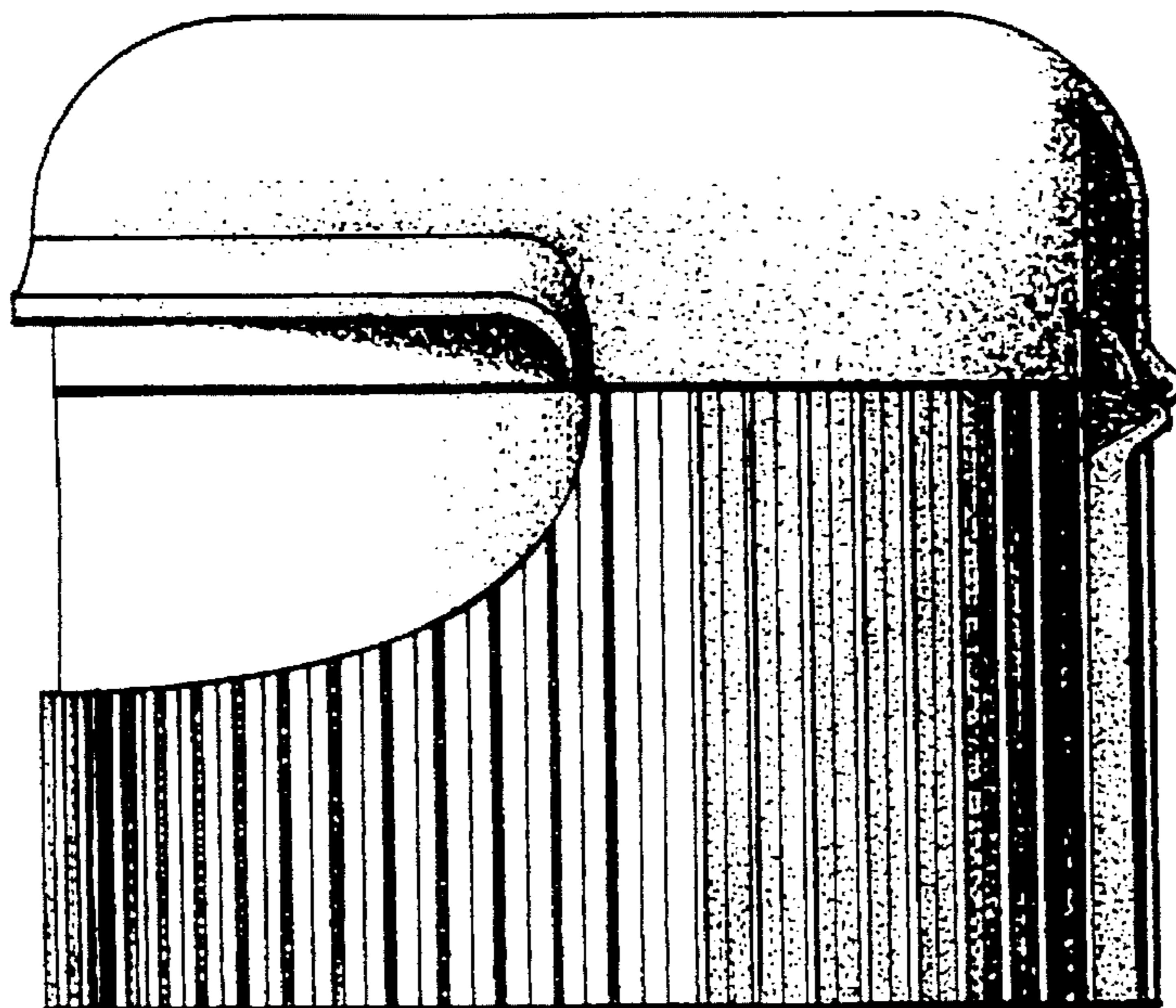


Fig. 5

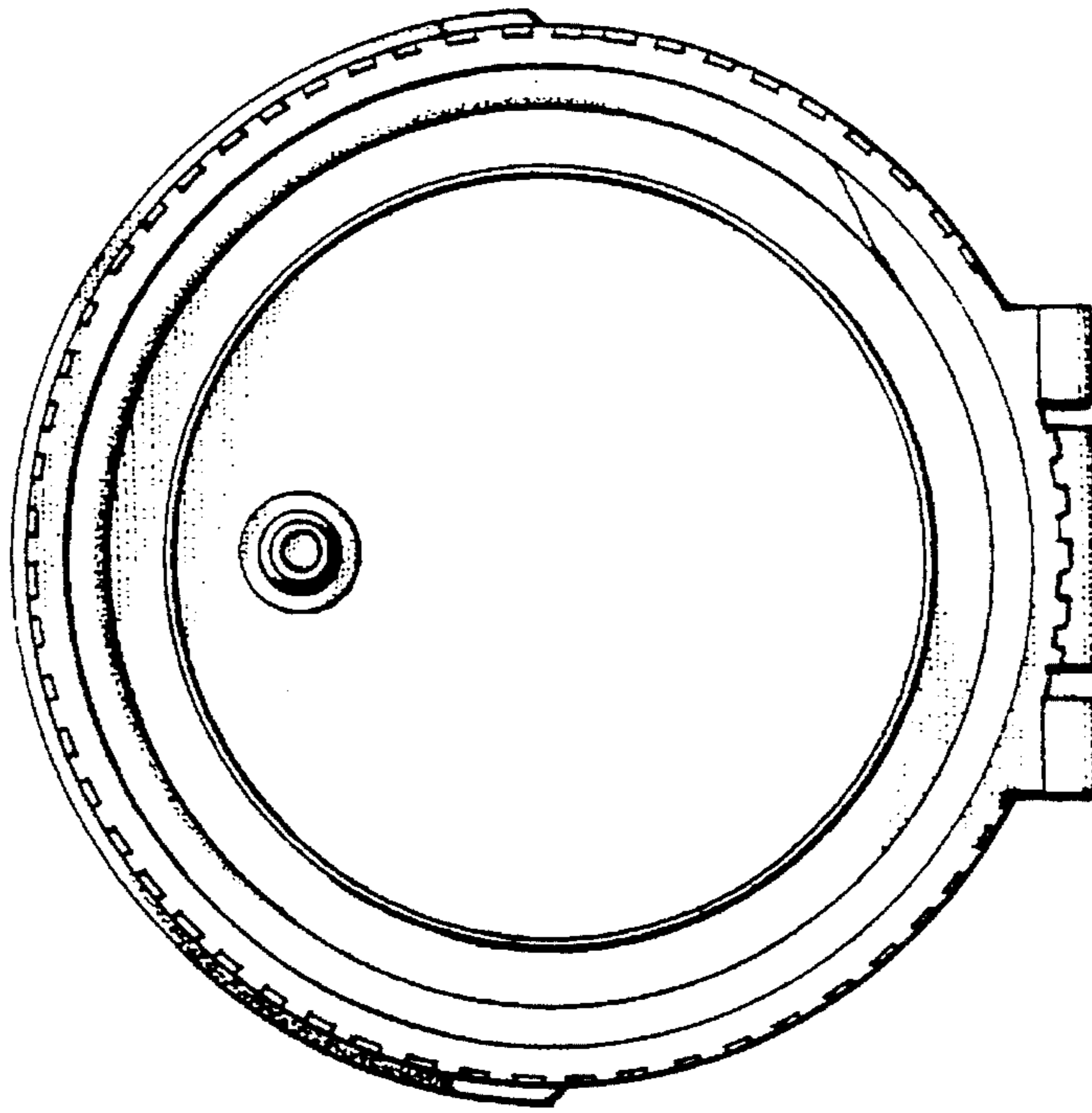


Fig. 6

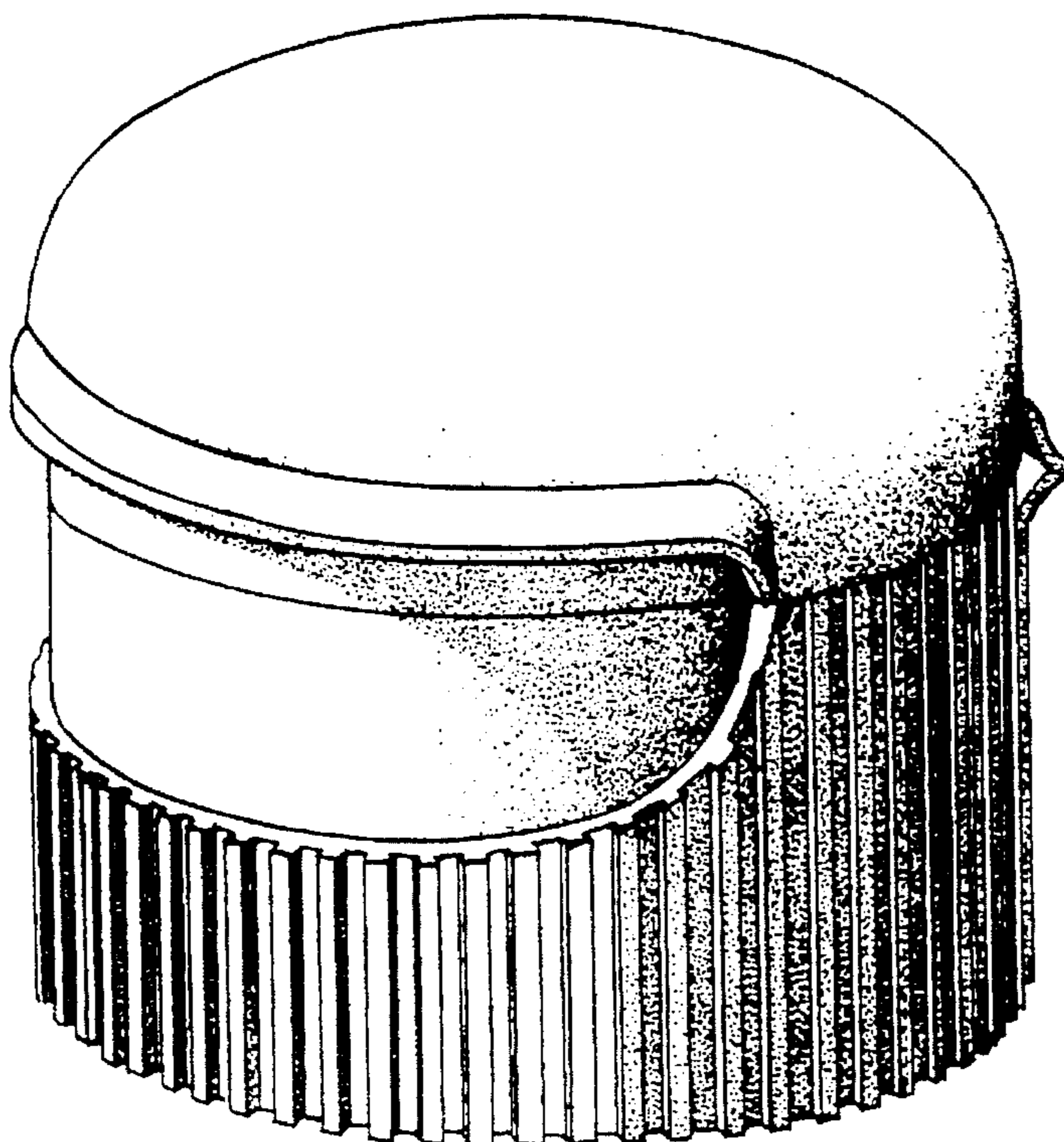


Fig. 7

