



US00D363021S

United States Patent [19]

[11] Patent Number: **Des. 363,021**

Lombard

[45] Date of Patent: ****Oct. 10, 1995**

[54] **GOLF BALL ACCESSORY PACKAGE**

4,781,289 11/1988 Perkins 206/461 X
5,044,495 9/1991 Wyslowsky 206/461 X

[75] Inventor: **Mitchell Lombard**, Dallas, Tex.

OTHER PUBLICATIONS

[73] Assignee: **Sport Supply Group, Inc.**, Farmers Branch, Tex.

Modern Packaging 1963, p. 334.
Techform Inc. Nov. 1982.

[**] Term: **14 Years**

Primary Examiner—Prabhakar G. Deshmukh
Attorney, Agent, or Firm—David H. Judson

[21] Appl. No.: **24,892**

[57] CLAIM

[22] Filed: **Jun. 23, 1994**

The ornamental design for a golf ball accessory package, as shown and described.

[52] U.S. Cl. **D9/415; D9/341**

[58] Field of Search D9/415, 418, 341,
D9/347; 206/461-471, 806, 45.34, 44 R,
315.1, 315.9, 389, 495; 224/919, 918

DESCRIPTION

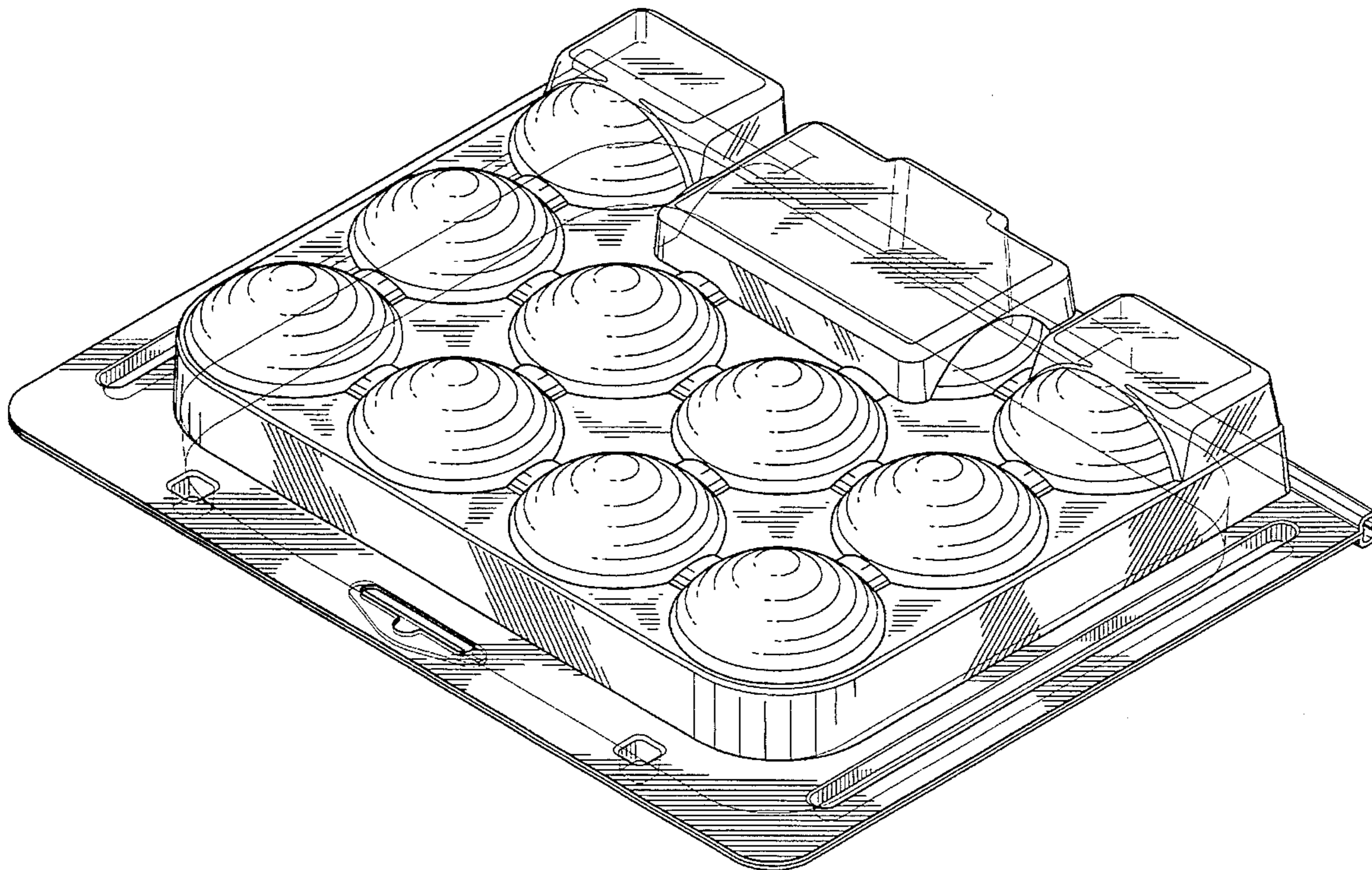
[56] References Cited

U.S. PATENT DOCUMENTS

D. 297,914	10/1988	Goodman	D9/341
D. 315,871	4/1991	Whitebread	D9/415
D. 330,325	10/1992	Kocon	D9/341 X
D. 334,535	4/1993	Piccione et al.	D9/415
D. 350,693	9/1994	Pratt	D9/415
4,296,874	10/1981	Evans	206/315.9
4,687,129	8/1987	Cugley	206/470 X

FIG. 1 is a perspective view of a golf ball accessory package showing my new design;
FIG. 2 is a top plan view thereof;
FIG. 3 is a left side elevational view thereof;
FIG. 4 is a right side elevational view thereof;
FIG. 5 is a bottom plan view thereof;
FIG. 6 is a front elevational view thereof; and,
FIG. 7 is a rear elevational view thereof.

1 Claim, 3 Drawing Sheets



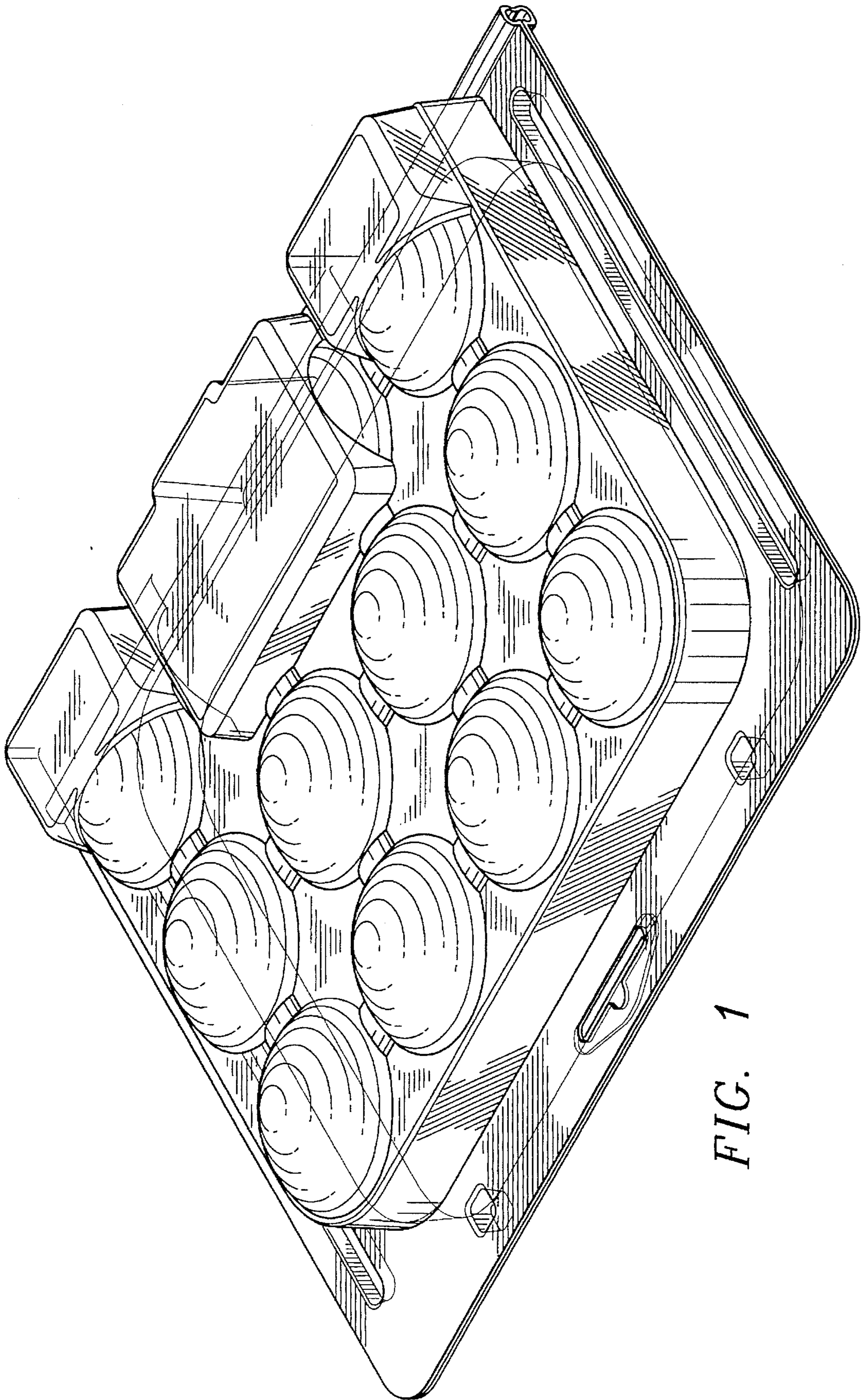


FIG. 1

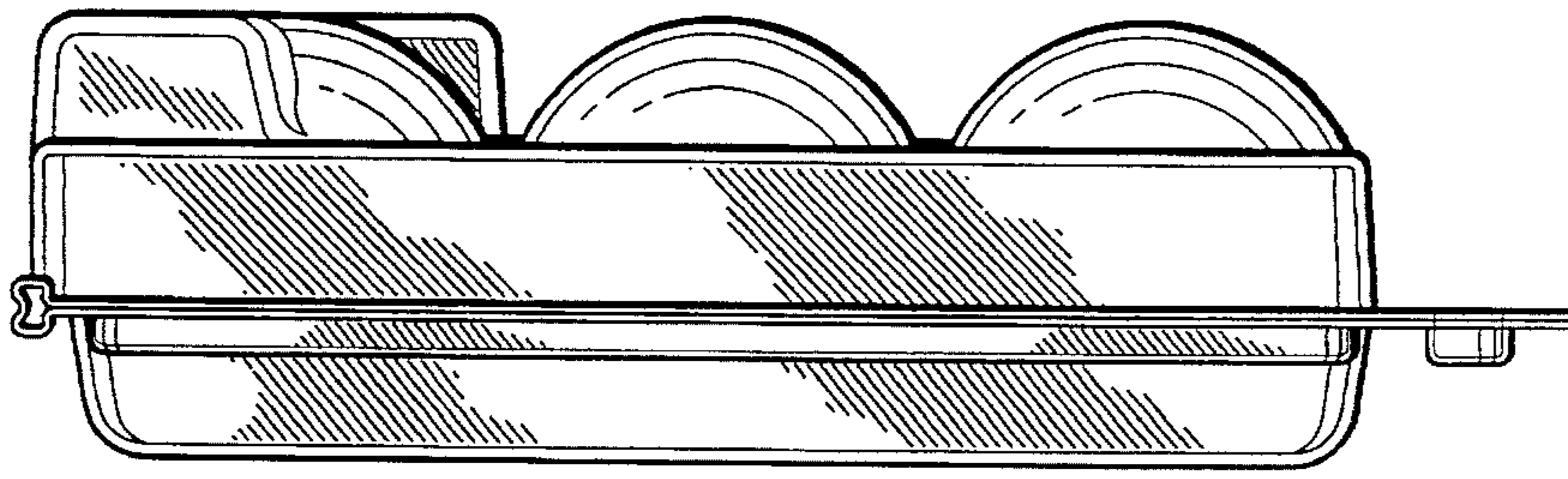


FIG. 4

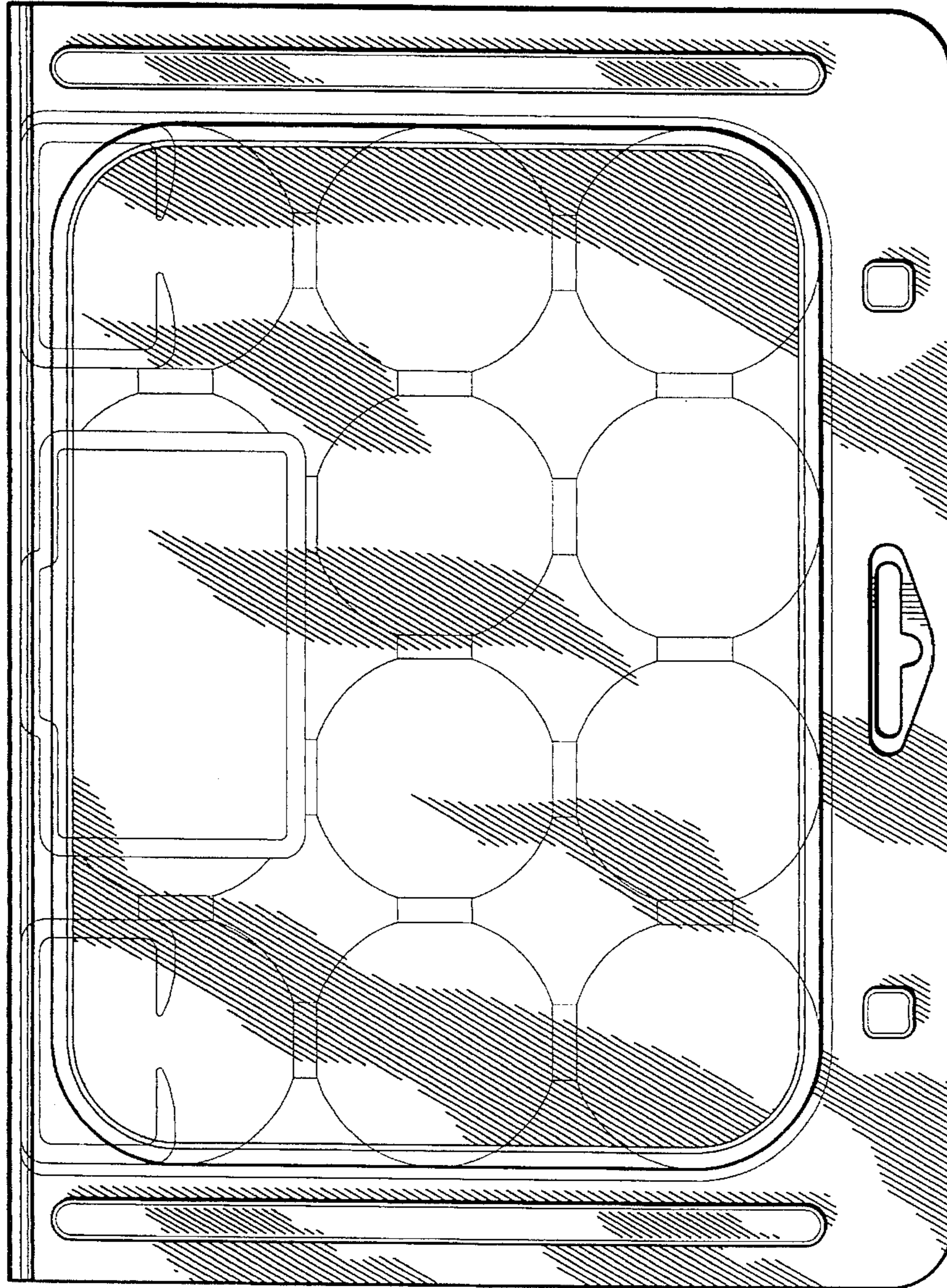


FIG. 2

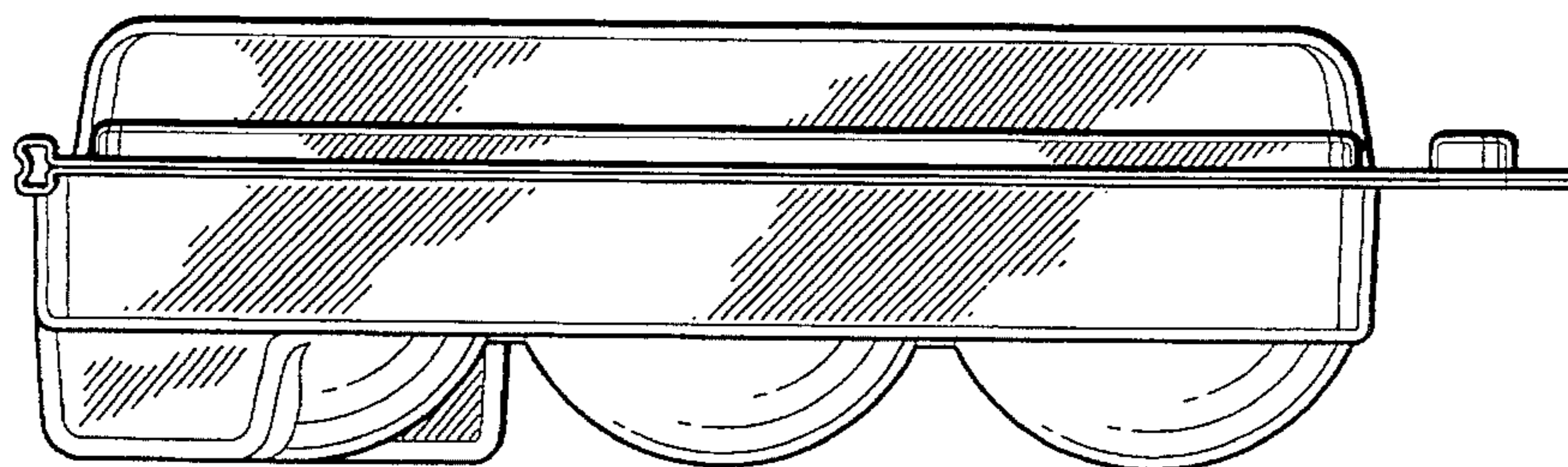


FIG. 3

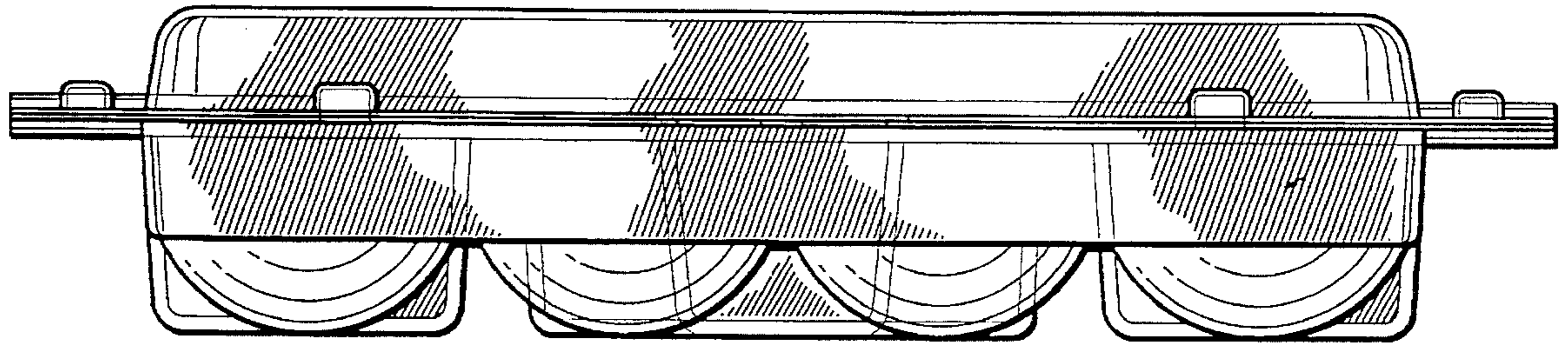


FIG. 6

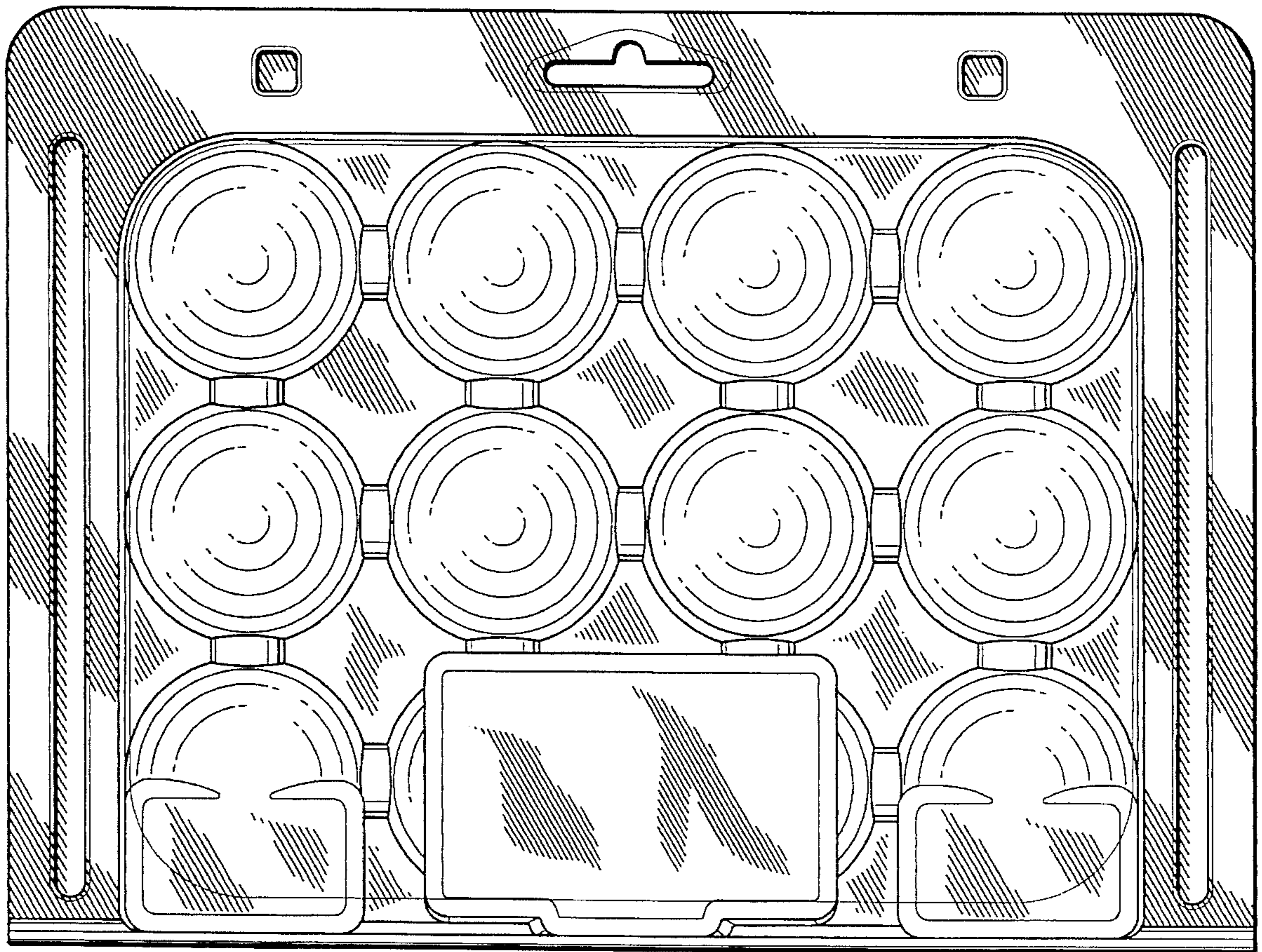


FIG. 5

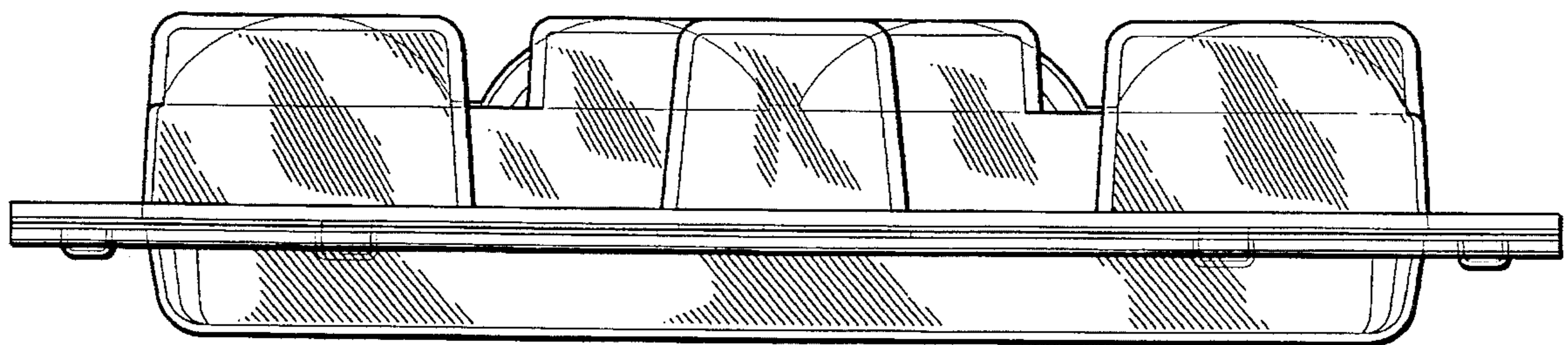


FIG. 7