



US00D363019S

# United States Patent [19]

[11] Patent Number: **Des. 363,019**

Arnold et al.

[45] Date of Patent: **\*\*Oct. 10, 1995**

[54] **DUAL COMPARTMENT CONTAINER**

[76] Inventors: **Peter S. Arnold**, 82 Raikes Road, Skipton, North Yorkshire BD23 1LS; **David Duffy**, 1 Newlaith Close, Overdale Grange, Skipton, North Yorkshire DB23 6AX, both of United Kingdom

[\*\*] Term: **14 Years**

[21] Appl. No.: **27,069**

[22] Filed: **Aug. 11, 1994**

[30] **Foreign Application Priority Data**

Feb. 11, 1994 [GB] United Kingdom ..... 2037105

[52] U.S. Cl. .... **D9/347; D9/524; D9/528**

[58] Field of Search ..... D9/524, 528, 347, D9/527; 215/6, 10, 100 A; 222/145, 158, 159, 478, 481, 143; 220/771

[56] **References Cited**

**U.S. PATENT DOCUMENTS**

- D. 219,642 1/1971 Prahs ..... D9/347
- D. 270,237 8/1983 Hestehave ..... D9/341
- D. 284,641 7/1986 Jones ..... D9/341
- D. 292,268 10/1987 Costa ..... D9/347

- D. 315,867 4/1991 Hestehave et al. .... D9/341
- D. 323,980 2/1992 Perrin ..... D9/347
- 4,860,927 8/1989 Grinde ..... 222/158
- 4,889,255 12/1989 Schiemann ..... 215/1 C X

**FOREIGN PATENT DOCUMENTS**

- 2633907 1/1990 France ..... 215/6

*Primary Examiner*—Lucy Lieberman

[57] **CLAIM**

The ornamental design for a dual compartment container, as shown and described.

**DESCRIPTION**

FIG. 1 is a perspective view as seen from the front, top and right side of the dual compartment container of our new design;

FIG. 2 is a perspective view as seen from the rear top and left side thereof;

FIG. 3 is a top plan view thereof;

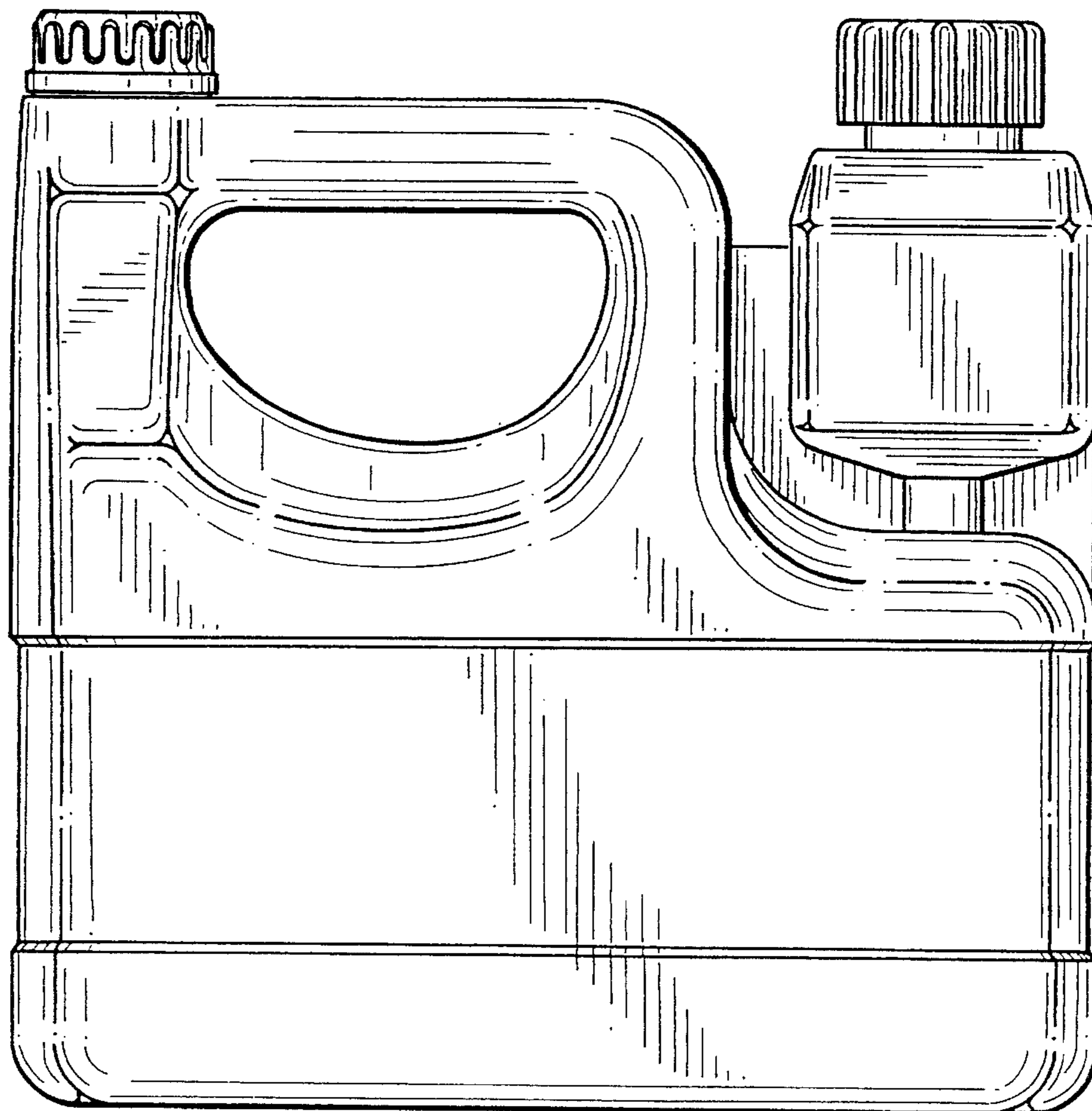
FIG. 4 is a right side elevational view thereof, the left side elevation being a mirror image;

FIG. 5 is a front elevational view thereof;

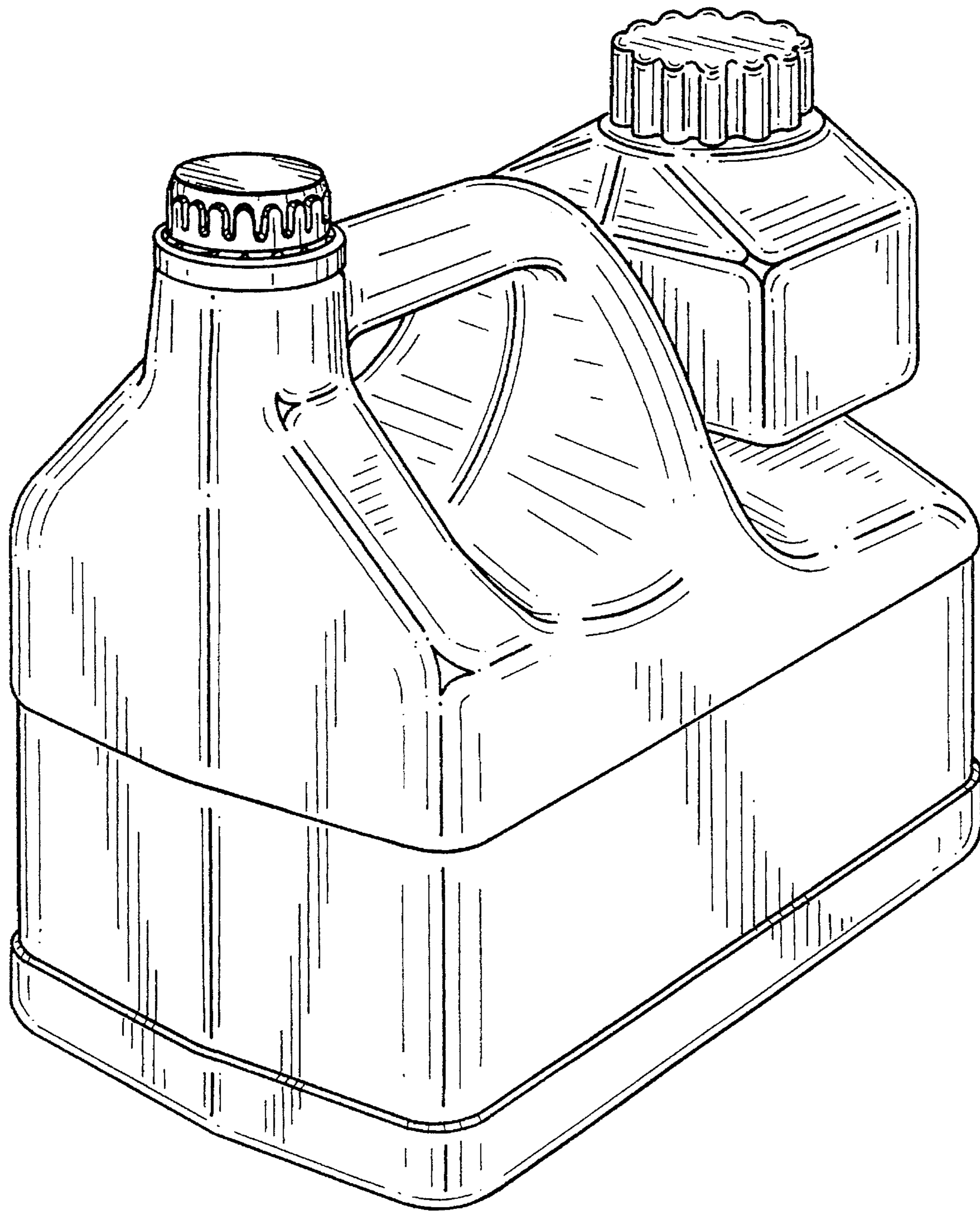
FIG. 6 is a rear elevational view thereof; and,

FIG. 7 is a bottom plan view thereof.

**1 Claim, 7 Drawing Sheets**



*FIG. 1*



*FIG. 2*

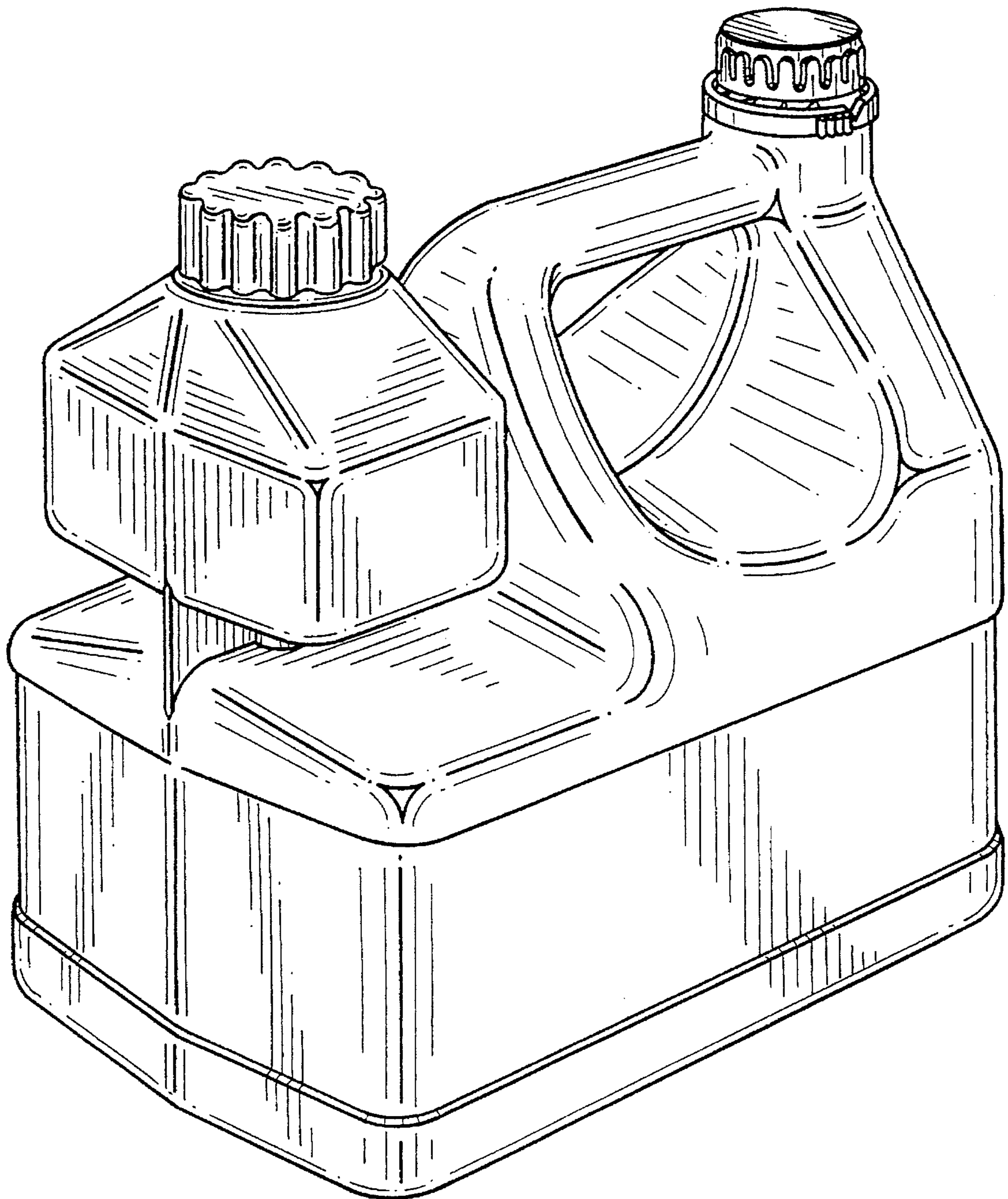
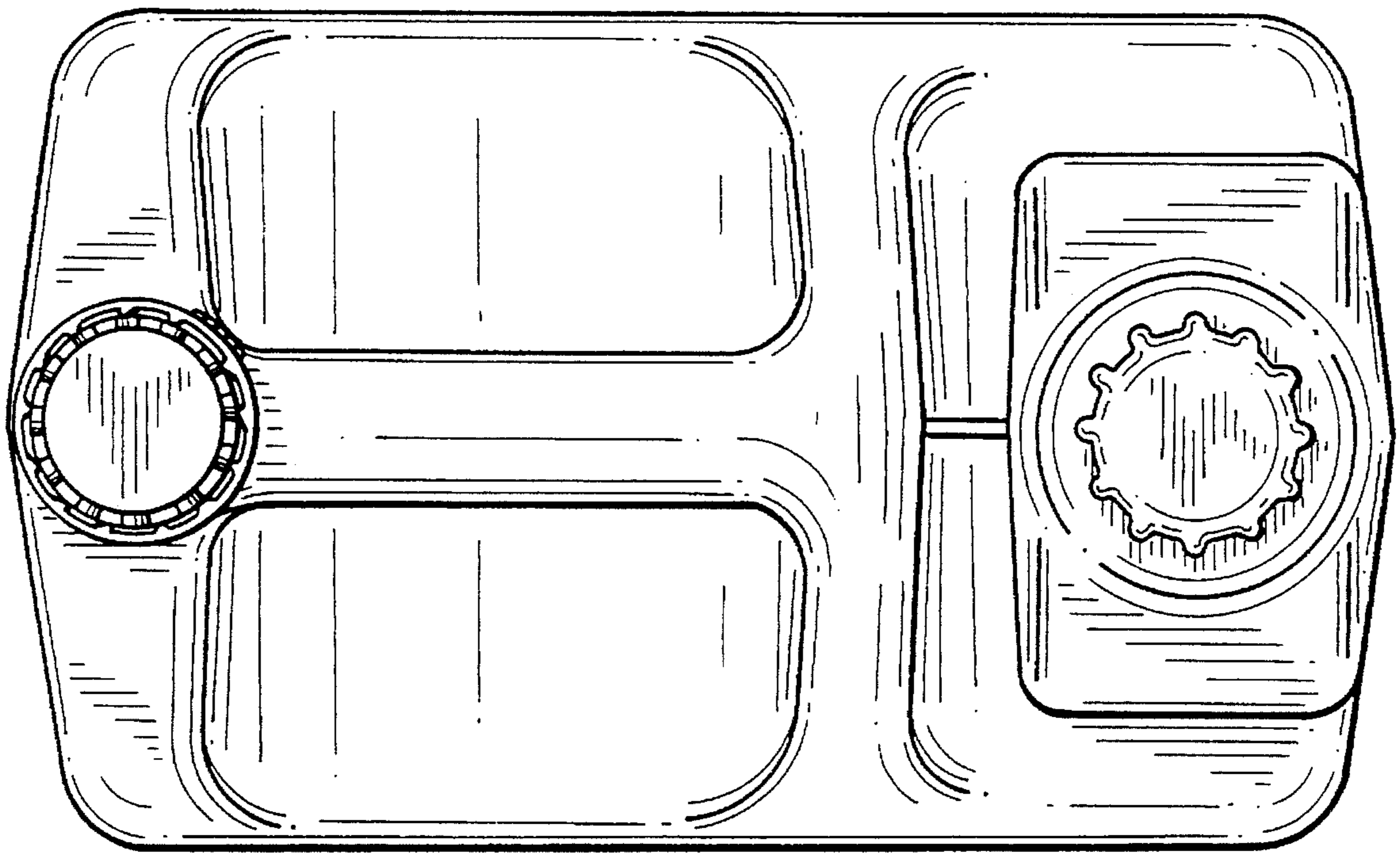


FIG. 3



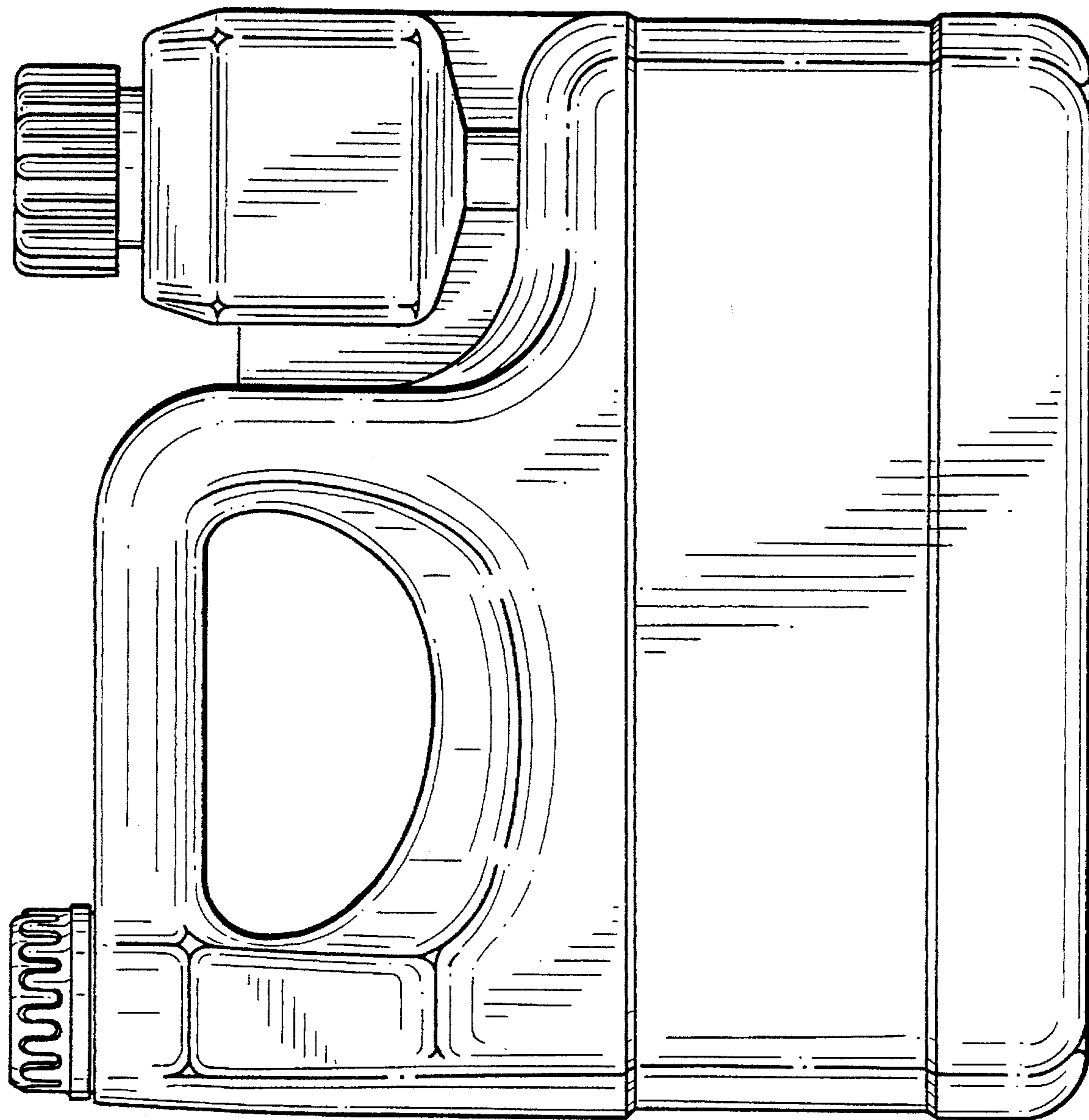
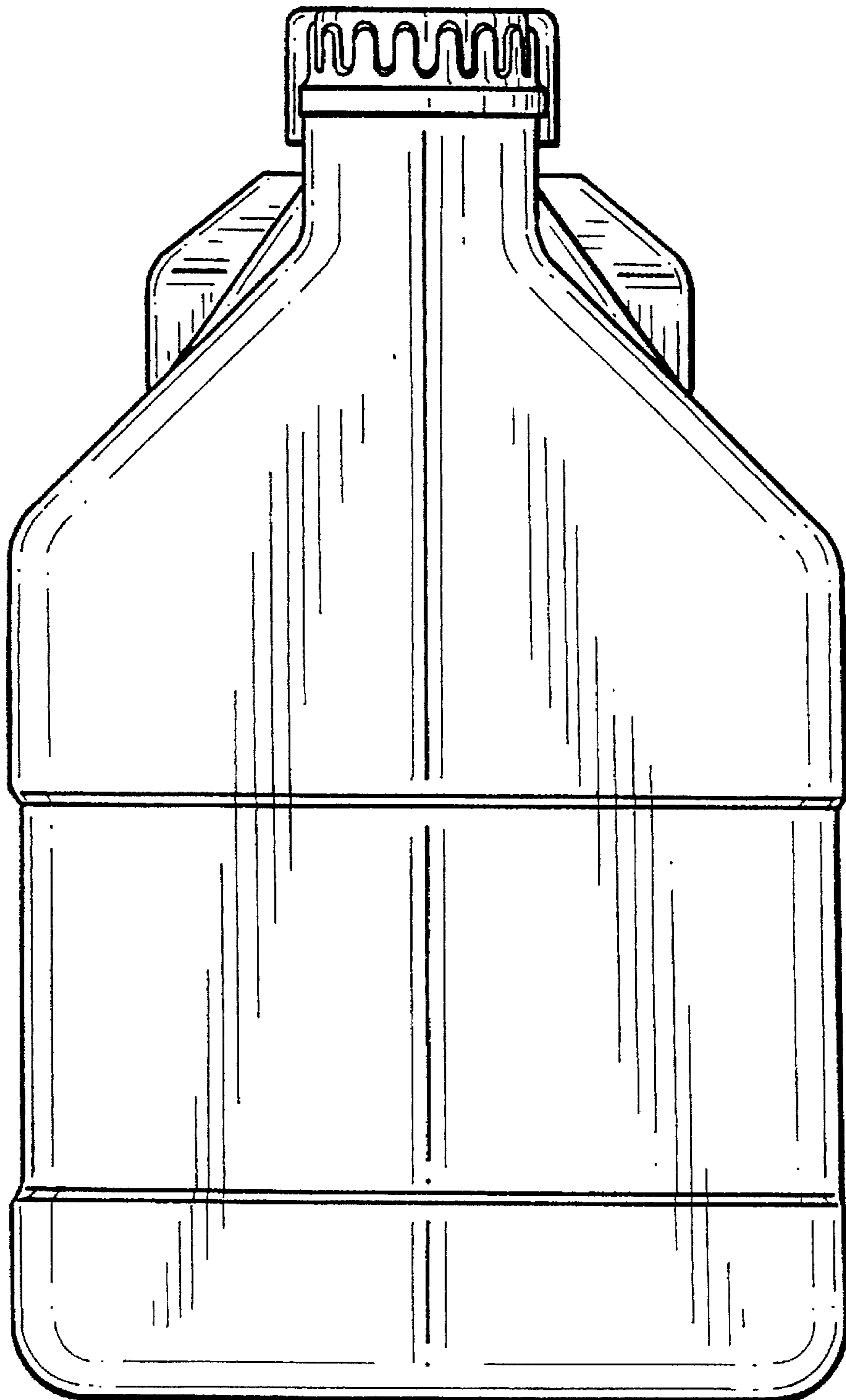
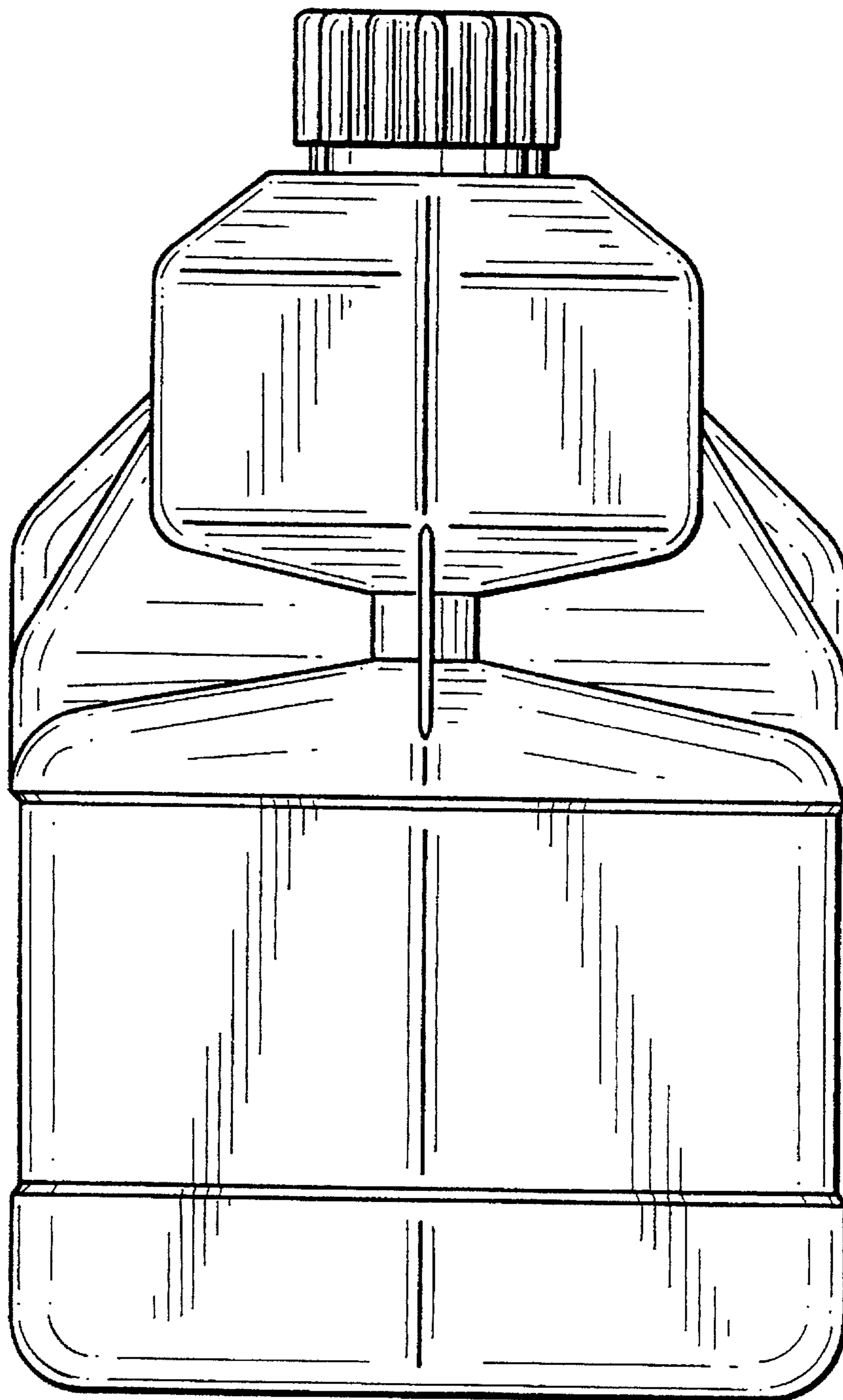


FIG. 4

*FIG. 5*



*FIG. 6*



*FIG. 7*

