



US00D363017S

United States Patent [19]

[11] Patent Number: **Des. 363,017**

Noble

[45] Date of Patent: ****Oct. 10, 1995**

[54] MEDICINE SPOON HOLDER

FOREIGN PATENT DOCUMENTS

[75] Inventor: **Terrance O. Noble**, Burnsville, Minn.

0467798 6/1937 United Kingdom 24/339

[73] Assignee: **Apothecary Products, Inc.**, Burnsville, Minn.

Primary Examiner—Lucy Lieberman
Attorney, Agent, or Firm—Merchant, Gould, Smith, Edell, Welter & Schmidt

[**] Term: **14 Years**

[57] CLAIM

[21] Appl. No.: **24,760**

The ornamental design for a medicine spoon holder, as shown and described.

[22] Filed: **Jun. 21, 1994**

[52] U.S. Cl. **D8/395**; D9/434

DESCRIPTION

[58] **Field of Search** D8/394, 395, 396; D9/434, 455, 499, 337; D7/637; D24/128, 127; 215/390, DIG. 5; 248/229, 541; 24/336, 339

FIG. 1 is a perspective view of the front, top and side of the inventive medicine spoon holder;

FIG. 2 is a top plan view thereof, the bottom plan view is the same;

FIG. 3 is a side elevation of one side of the medicine spoon holder, the opposite side being symmetrically identical;

FIG. 4 is a front elevation of the medicine spoon holder; and,

FIG. 5 is a rear elevation of the medicine spoon holder.

The broken lines showing a bottle and a medicine spoon in FIG. 1 are for illustrative purposes only and do not form part of the claimed design.

[56] References Cited

U.S. PATENT DOCUMENTS

D. 295,725	5/1988	Shioda	D8/396
370,942	10/1887	Hanington	24/339
378,276	2/1888	Whittlesley	215/391
4,883,290	11/1989	Landa	24/336 X
5,288,047	2/1974	Pan	248/229

1 Claim, 2 Drawing Sheets

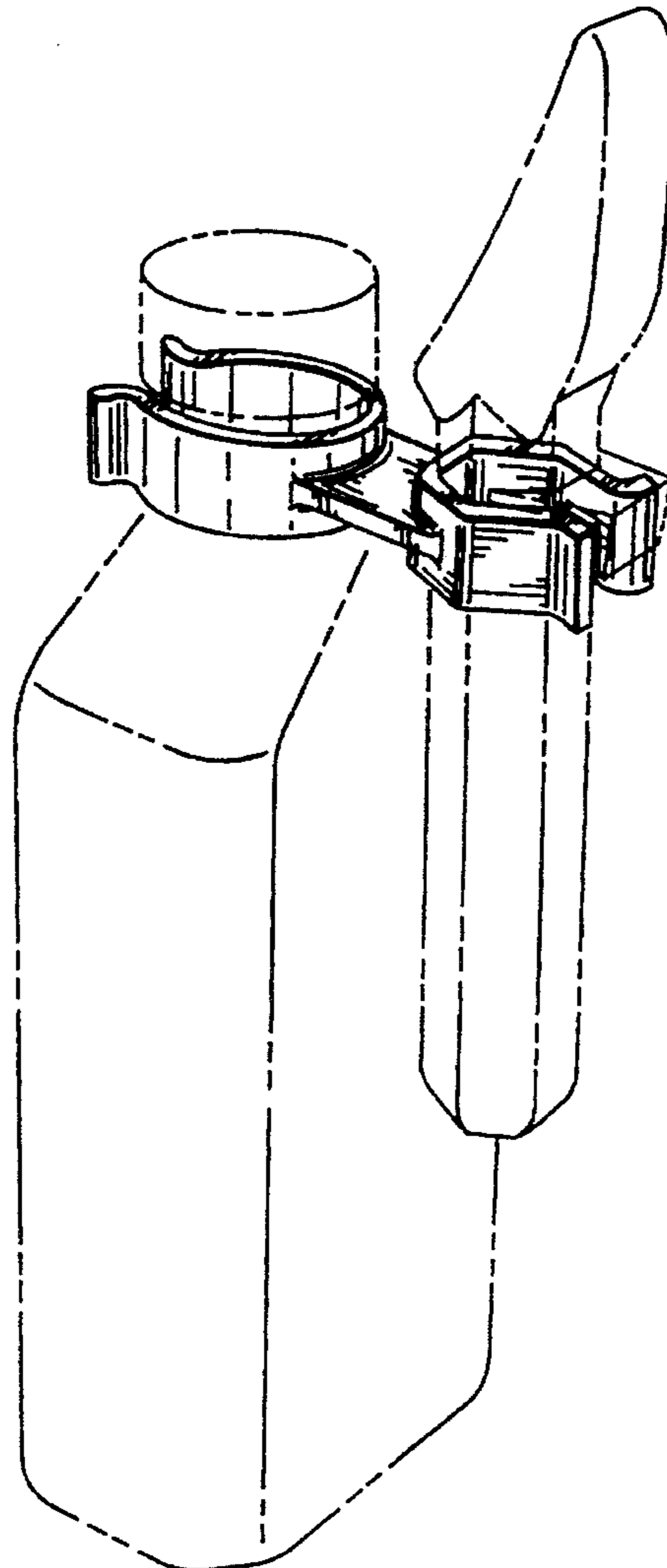


FIG. 1

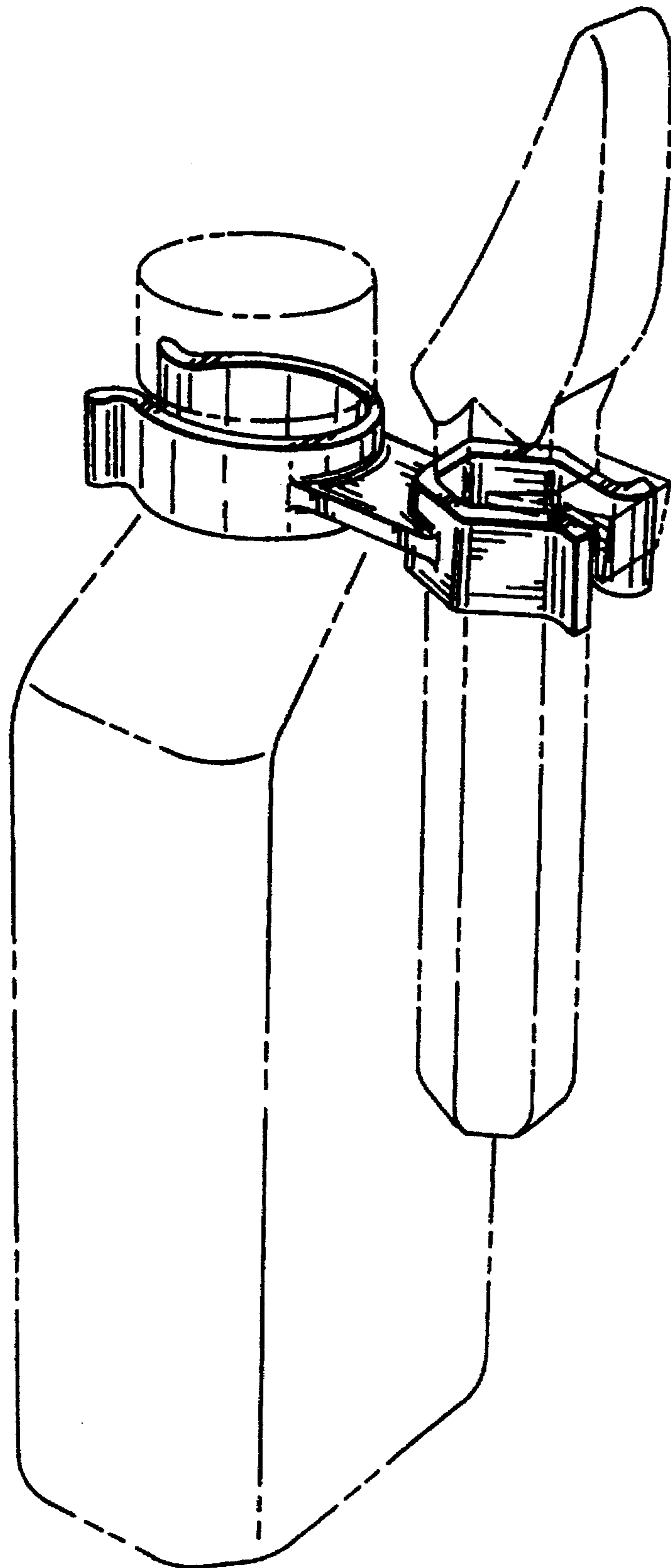


FIG. 2

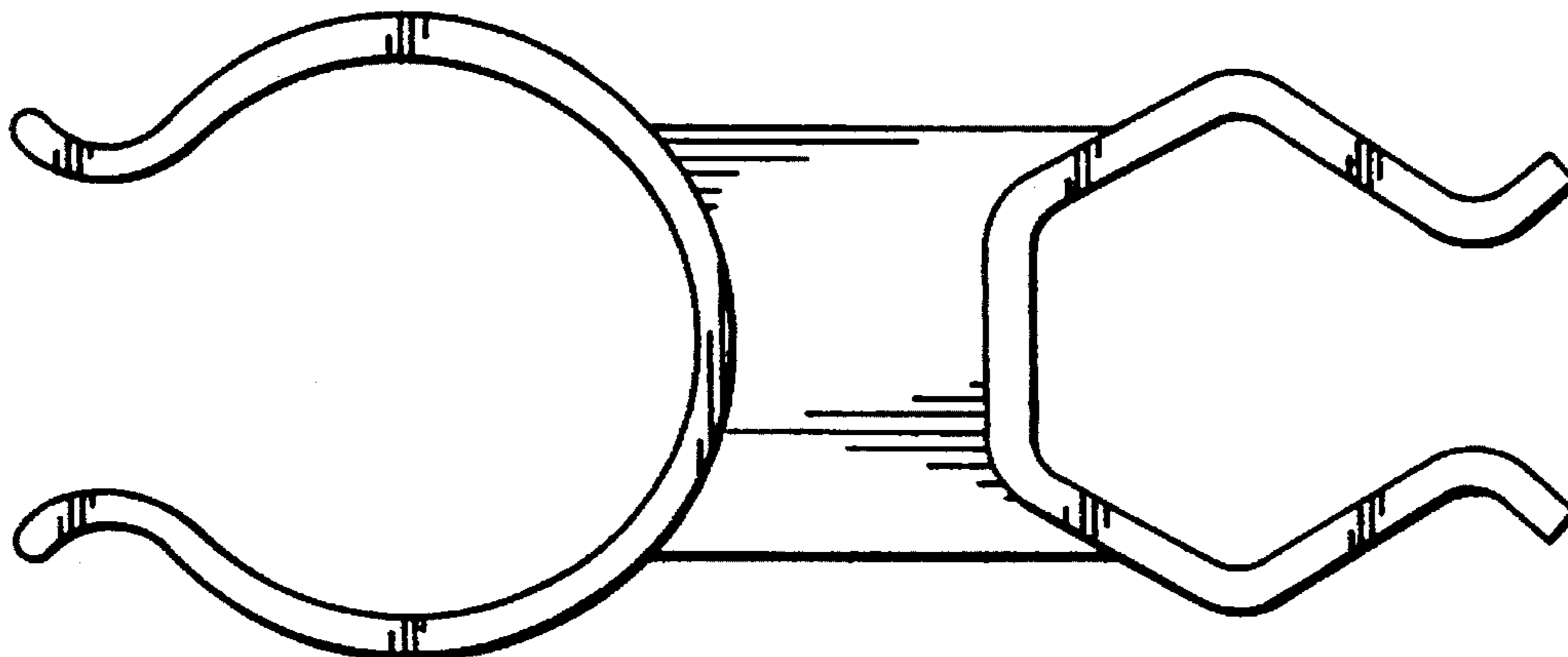


FIG. 3

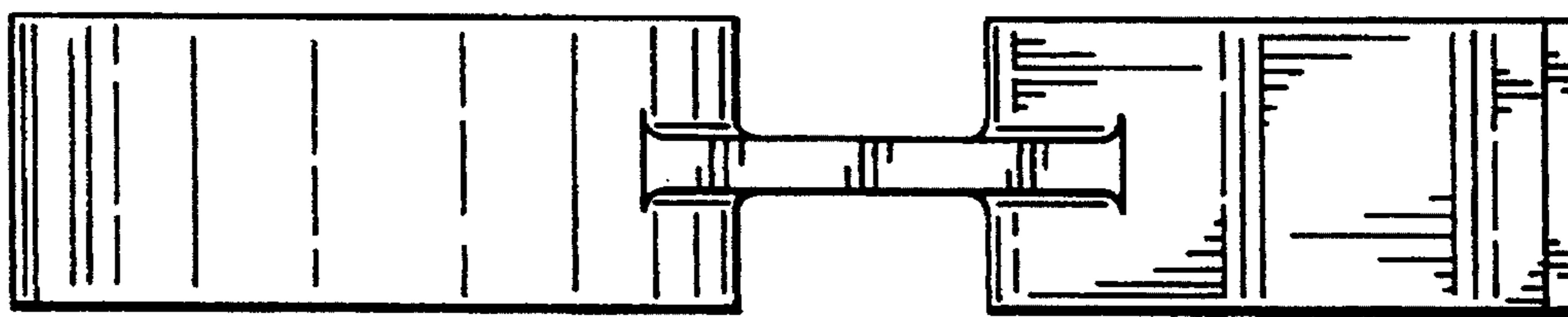


FIG. 4

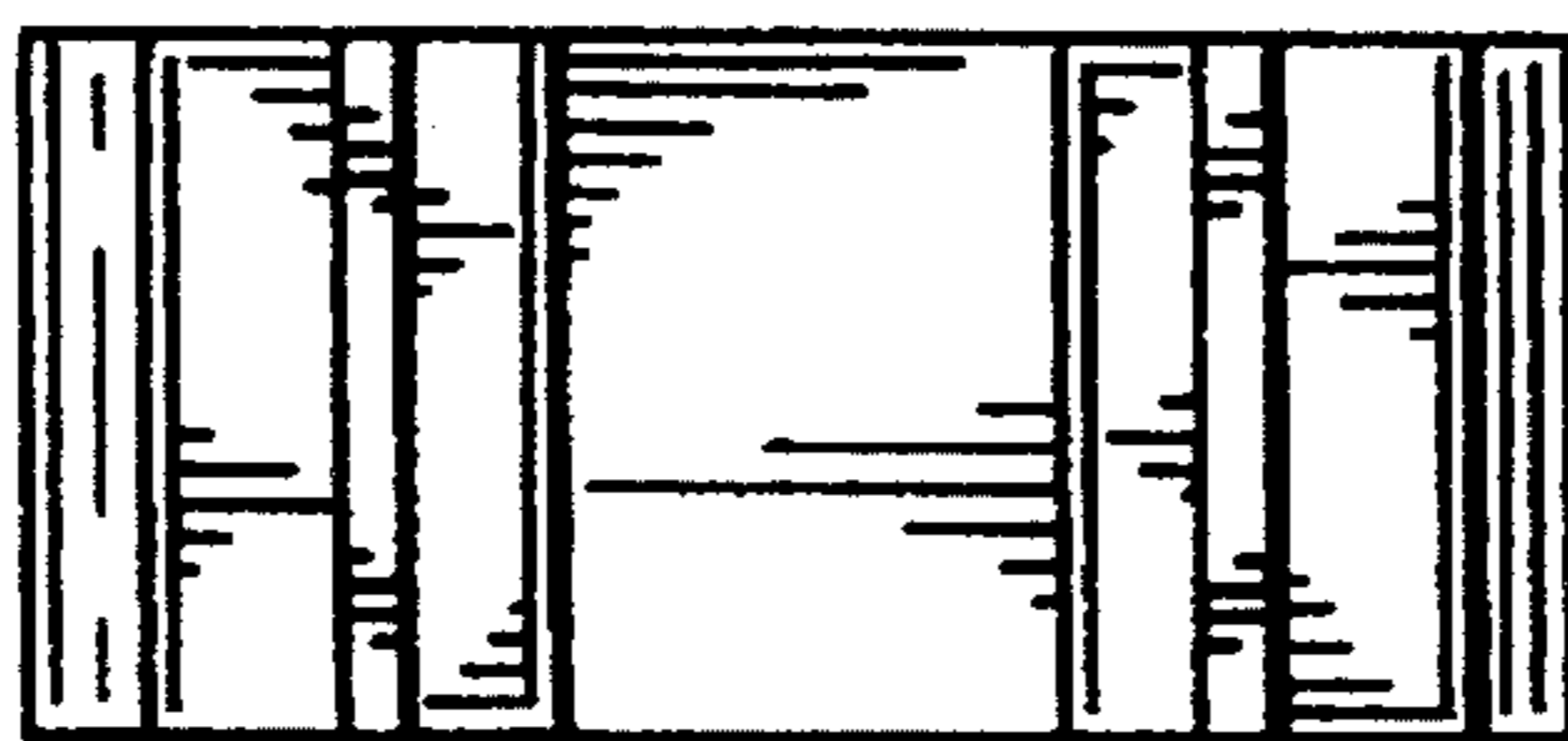


FIG. 5

