



US00D363016S

United States Patent [19]

[11] Patent Number: **Des. 363,016**

Sippelle, III et al.

[45] Date of Patent: ****Oct. 10, 1995**

[54] **BEACH CHAIR TOWEL CLAMP**

[76] Inventors: **James H. Sippelle, III**, 11661 Montecito Rd., Los Alamitos, Calif. 90720; **Jeffrey A. Stumpf**, 120 14th Ave., #C, Huntington Beach, Calif. 92648

[**] Term: **14 Years**

[21] Appl. No.: **13,598**

[22] Filed: **Sep. 28, 1993**

[52] U.S. Cl. **D8/395**

[58] Field of Search D8/395, 396; D20/43; 24/336, 339; 40/666; 248/74.2, 225.31, 229, 230, 231.7, 231.8, 300, 316.7

[56] **References Cited**

U.S. PATENT DOCUMENTS

D. 199,020	9/1964	Beddor	D20/43
D. 241,314	9/1976	Hug	D8/395
D. 291,728	9/1987	Hoyt	D8/396 X
1,496,388	6/1924	Stern	.	
2,980,260	4/1961	Richer	211/124
3,537,825	11/1970	Nuttall	223/85
3,578,304	4/1971	Gillemot	248/54
3,591,013	7/1971	Von Hermann	211/50

4,105,127	8/1978	Höll	211/125
4,779,746	10/1988	Usner	211/124
4,858,285	8/1989	Dala et al.	24/555
4,934,540	6/1990	Novak	211/124
4,993,126	2/1991	Collins	24/366

FOREIGN PATENT DOCUMENTS

0016418	7/1898	United Kingdom	40/666
---------	--------	----------------	-------	--------

Primary Examiner—Terry A. Wallace
Assistant Examiner—Nanda Bondade
Attorney, Agent, or Firm—Fulwider, Patton, Lee & Utecht

[57] **CLAIM**

The ornamental design for a beach chair towel clamp, as shown and described.

DESCRIPTION

FIG. 1 is a perspective view of a beach chair clamp showing our new design;
FIG. 2 is an end view thereof, the opposite end being identical;
FIG. 3 is a side view thereof, the opposite end being identical;
FIG. 4 is a top plan view thereof; and,
FIG. 5 is a bottom plan view thereof.

1 Claim, 1 Drawing Sheet

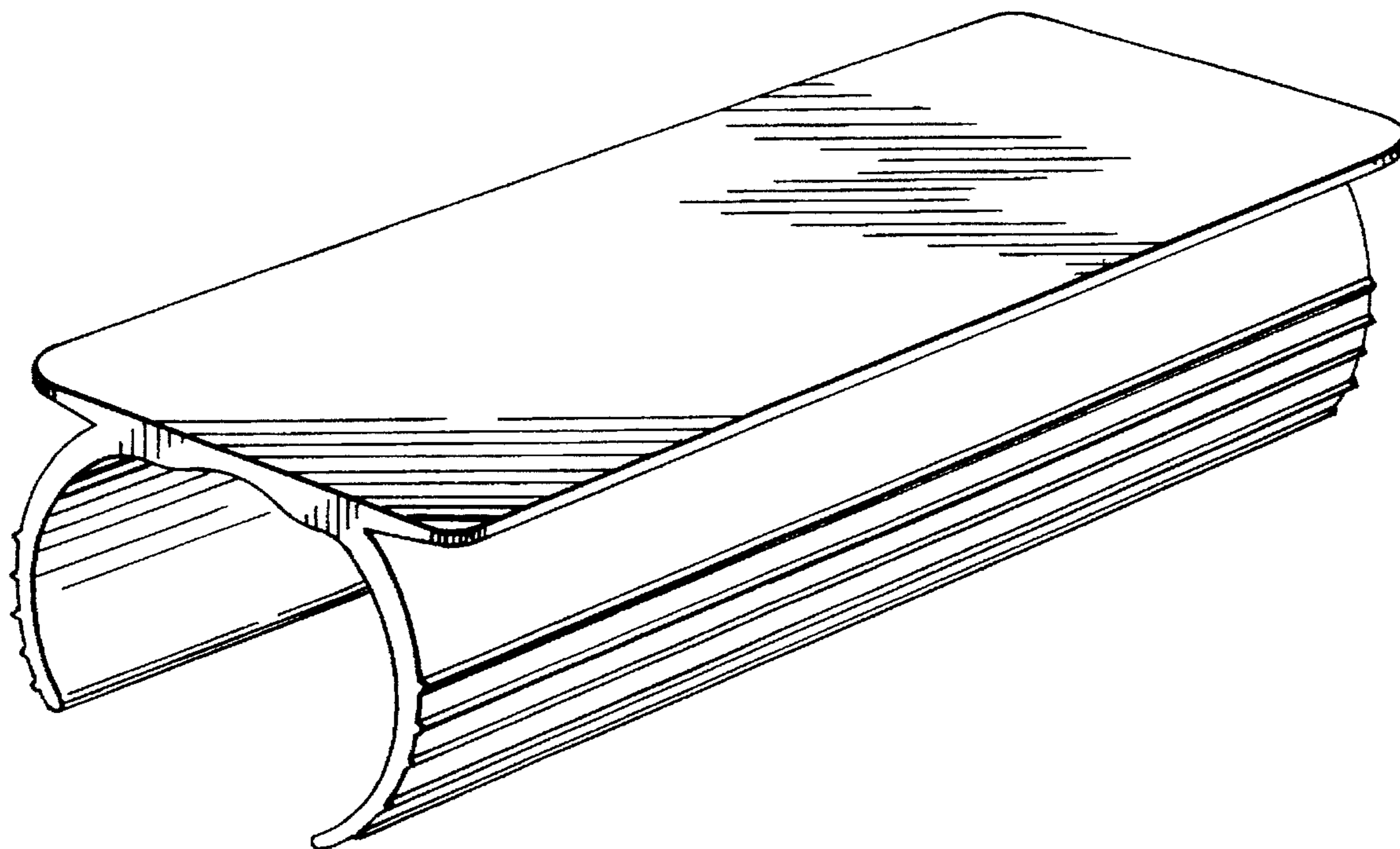


FIG. 1

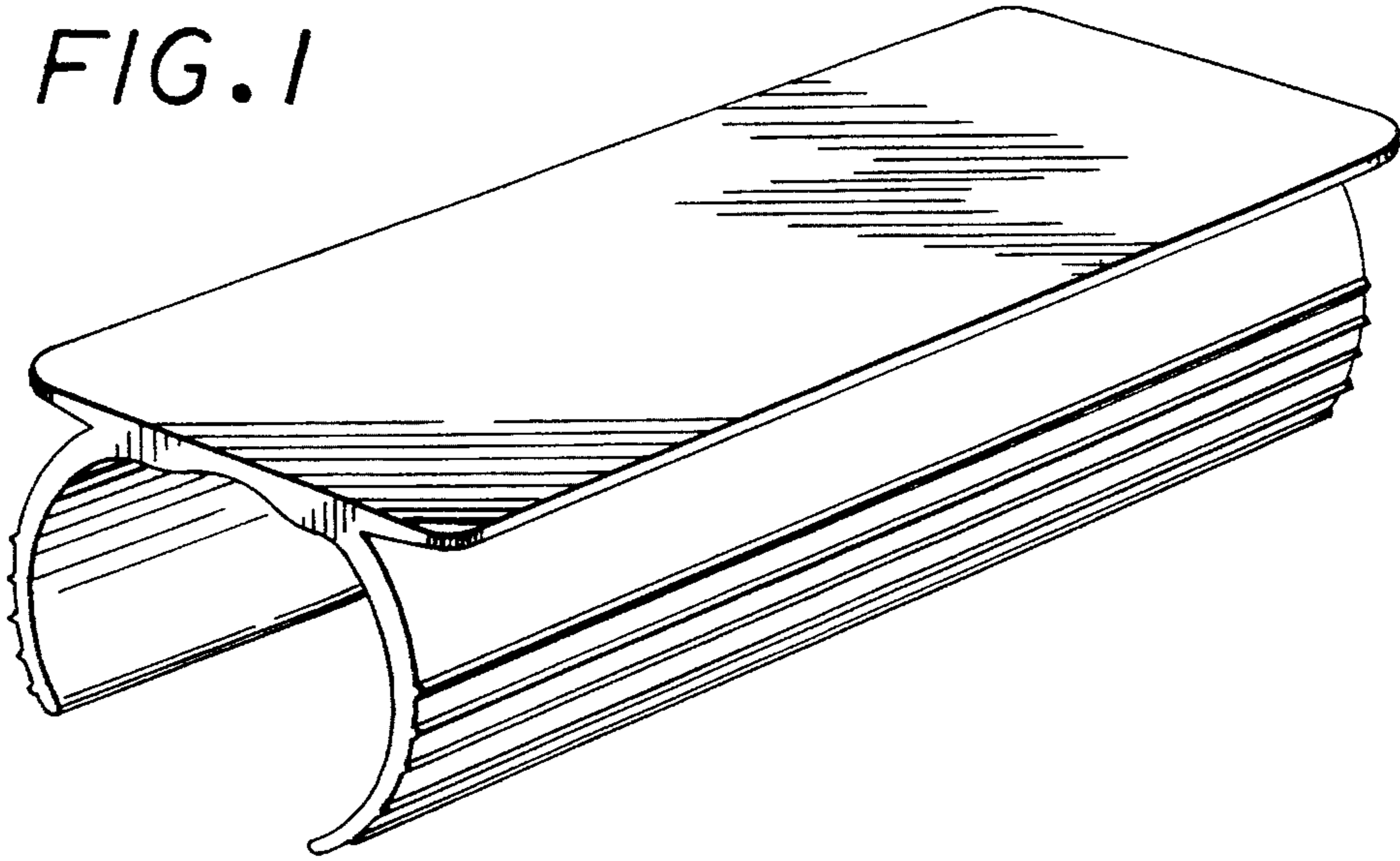


FIG. 2

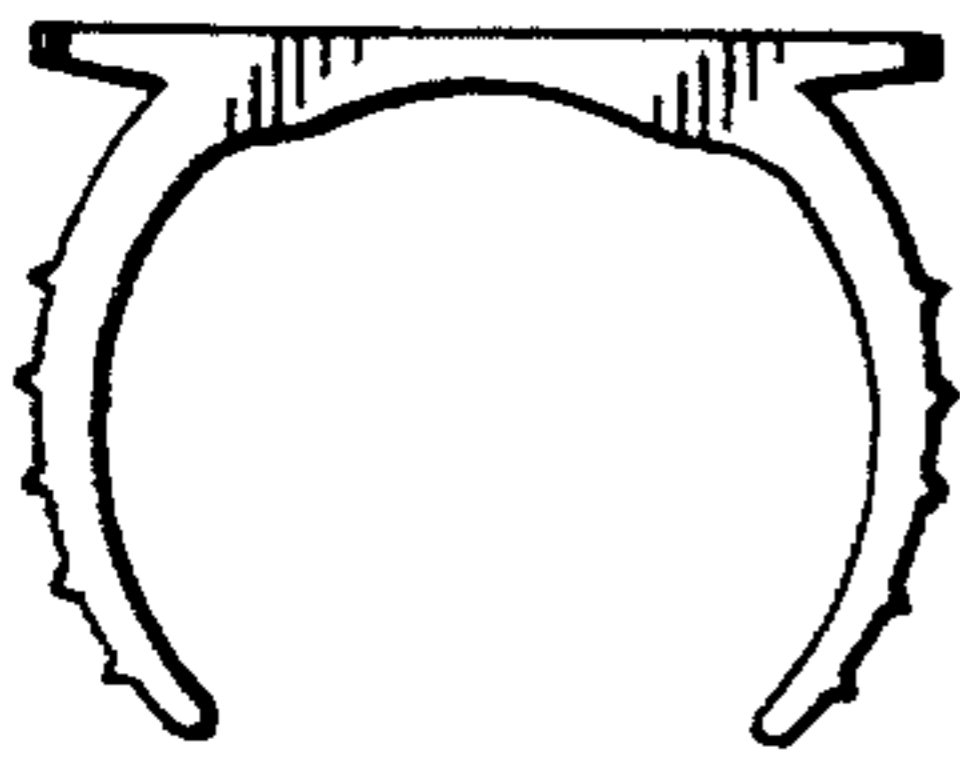


FIG. 3



FIG. 4

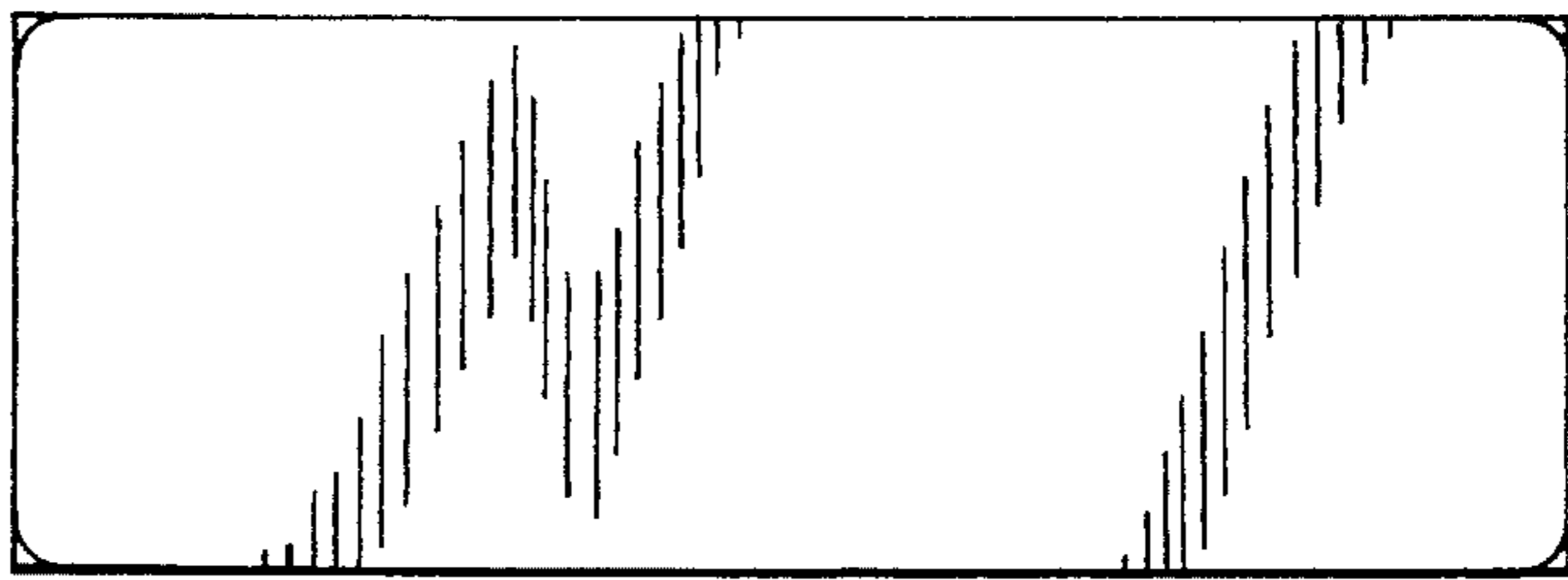


FIG. 5

