



US00D363015S

# United States Patent [19]

[11] Patent Number: **Des. 363,015**

**Campbell et al.**

[45] Date of Patent: **\*\*Oct. 10, 1995**

[54] **SUPPORT FOR PLANT PROTECTOR CONES**

[57] **CLAIM**

[76] Inventors: **Paul D. Campbell; Linda S. Campbell**, both of 3695 Bursley Hwy., Charlotte, Mich. 48813

The ornamental design for a support for plant protector cones, as shown and described.

[\*\*] Term: **14 Years**

**DESCRIPTION**

[21] Appl. No.: **900,696**

FIG. 1 is a front elevational view of the support for plant protector cones showing our new design, in its flattened condition;

[22] Filed: **Jun. 17, 1992**

FIG. 2 is a rear elevational view thereof;

[52] U.S. Cl. .... **D8/389; D8/1**

FIG. 3 is a left side elevational view thereof;

[58] Field of Search ..... **D8/1, 388, 389; 248/156, 175, 505; 47/28.1, 30, 30 T; D19/59**

FIG. 4 is a right side elevational view thereof;

[56] **References Cited**

FIG. 5 is a top plan view thereof;

**U.S. PATENT DOCUMENTS**

FIG. 6 is a bottom plan view thereof; and,

516,632 3/1894 Leonard ..... 248/175  
2,009,867 7/1935 Ball ..... 47/28.1

FIG. 7 is a perspective view thereof in the position of use, the plant protector cone being shown in broken lines for illustrative purposes only.

**OTHER PUBLICATIONS**

"A Manual of Engineering Drawing"; French; 1935; p. 71; dodecagon (right end-third row).

Primary Examiner—B. J. Bullock

**1 Claim, 3 Drawing Sheets**

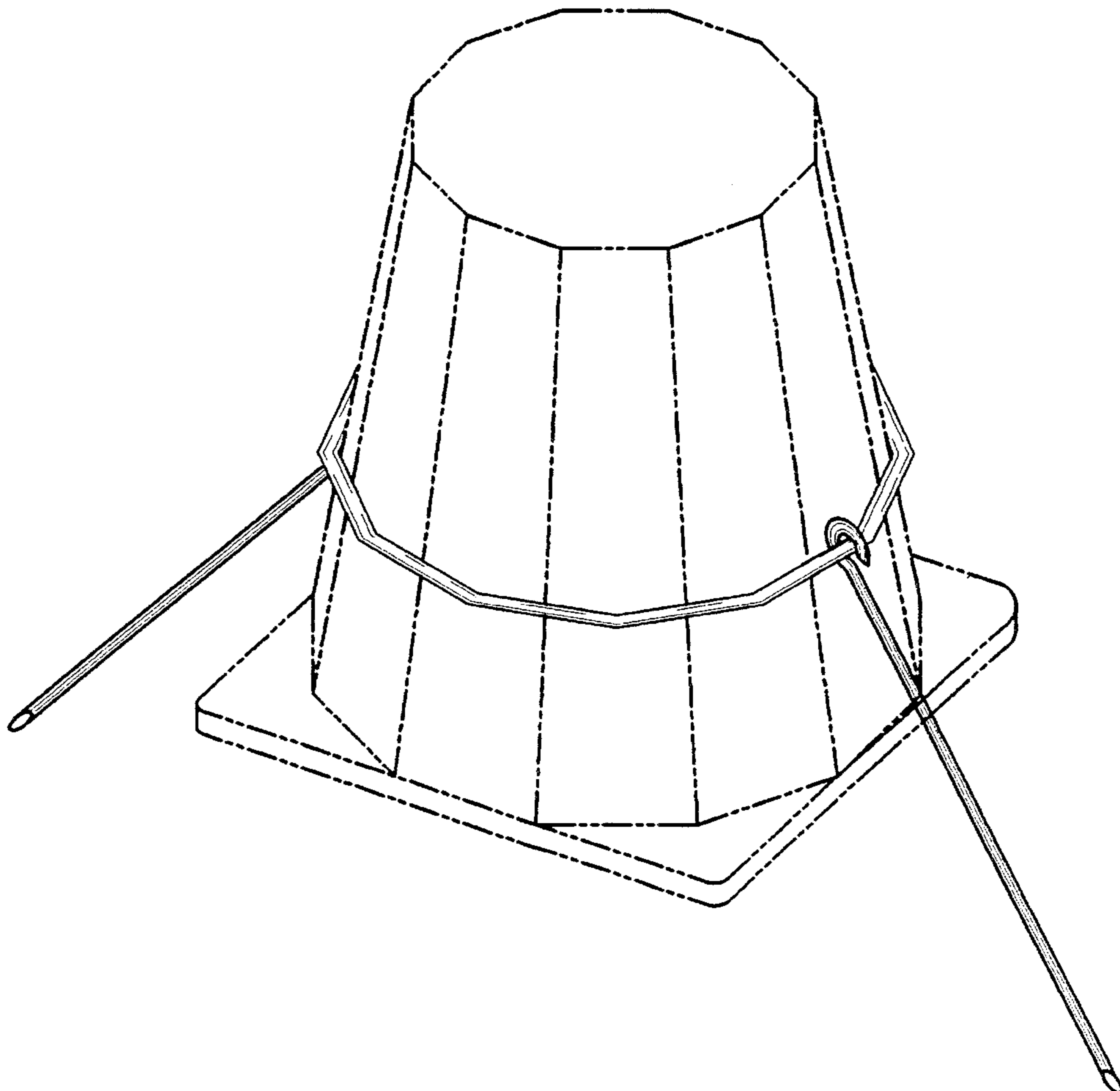


FIG. 1

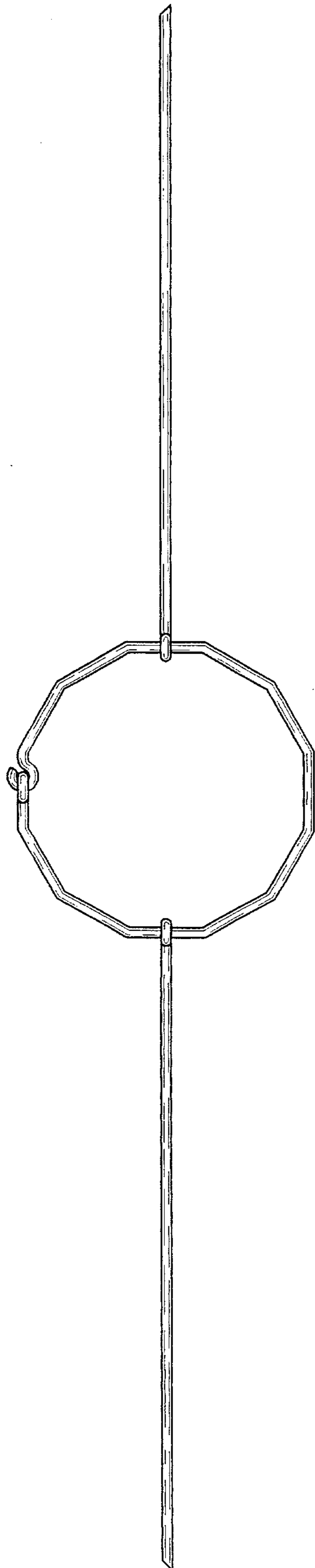


FIG. 2

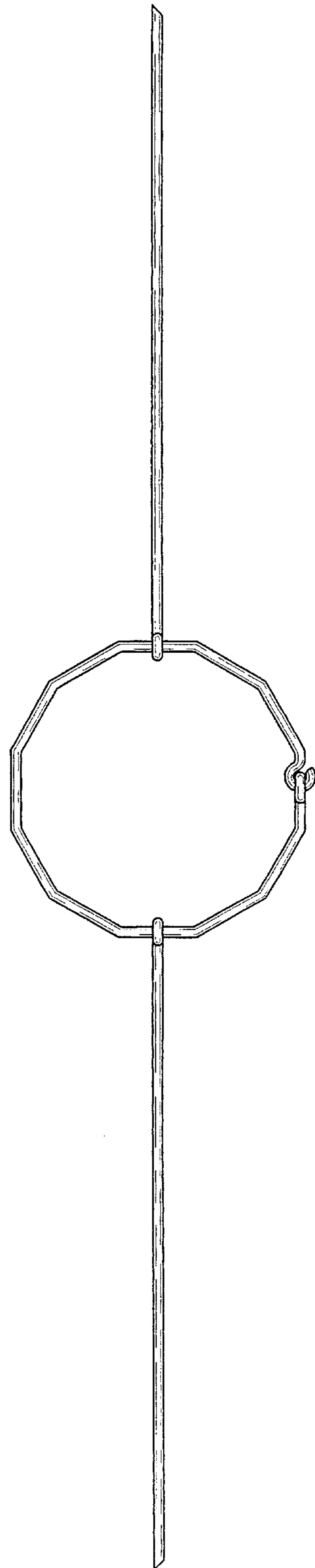


FIG. 3

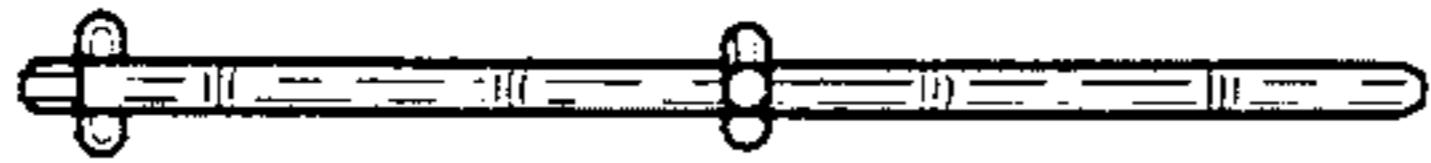


FIG. 4



FIG. 5



FIG. 6



FIG. 7

