



US00D363013S

United States Patent [19]

[11] Patent Number: **Des. 363,013**

Hunter

[45] Date of Patent: ****Oct. 10, 1995**

[54] **ABRASIVE DISK CUTTER**

5,044,243 9/1991 Aizawa 83/607
5,249,495 10/1993 Renk 83/607

[76] Inventor: **Theodore K. Hunter**, 501 Riverside Ave., Paso Robles, Calif. 93446

Primary Examiner—Terry A. Wallace
Assistant Examiner—Philip Hyder
Attorney, Agent, or Firm—Basil Travis

[**] Term: **14 Years**

[21] Appl. No.: **26,548**

[57] **CLAIM**

[22] Filed: **Aug. 1, 1994**

The ornamental design for an abrasive disk cutter, as shown and described.

[52] U.S. Cl. **D8/98; D8/51; D8/56**

[58] Field of Search D8/51, 14, 56, D8/98; 83/37, 607, 608, 609, 584, 558

DESCRIPTION

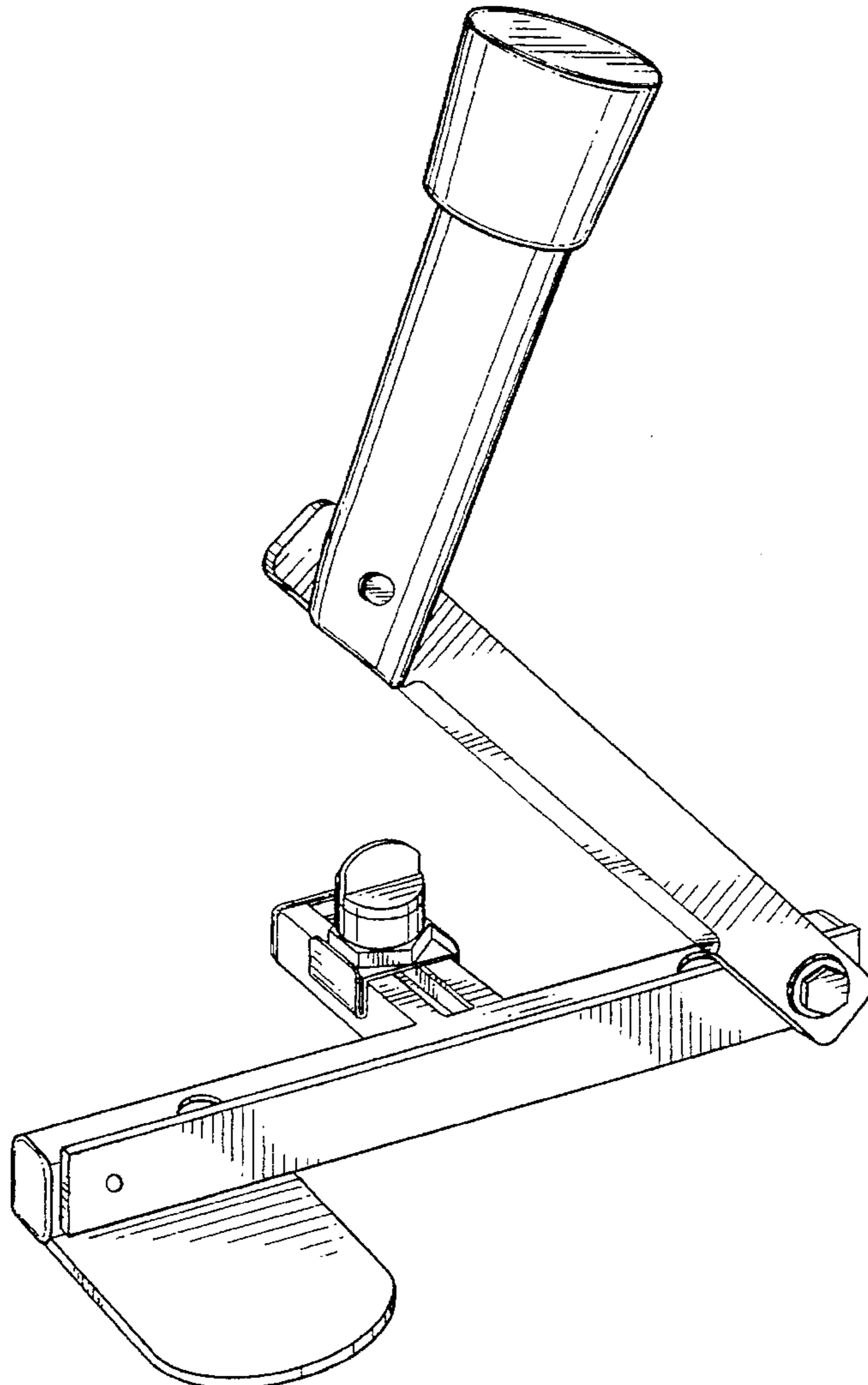
[56] **References Cited**

FIG. 1 is a front and top perspective view of an abrasive disk cutter showing my new design;
FIG. 2 is a top plan view;
FIG. 3 is a rear elevational view;
FIG. 4 is a front elevational view;
FIG. 5 is a left side elevational view of FIG. 4;
FIG. 6 is a right side elevational view of FIG. 4 and,
FIG. 7 is a bottom plan view thereof.

U.S. PATENT DOCUMENTS

678,441	7/1901	Stevens	83/607
1,463,786	8/1923	Baldwin	83/607
1,805,399	5/1931	Hendrick	83/607
2,089,274	8/1937	Laukhuff	83/584
2,563,741	8/1951	Patton	83/607
3,435,716	4/1969	Sjostrand	83/37
3,735,445	5/1973	Jurcak	83/607

1 Claim, 4 Drawing Sheets



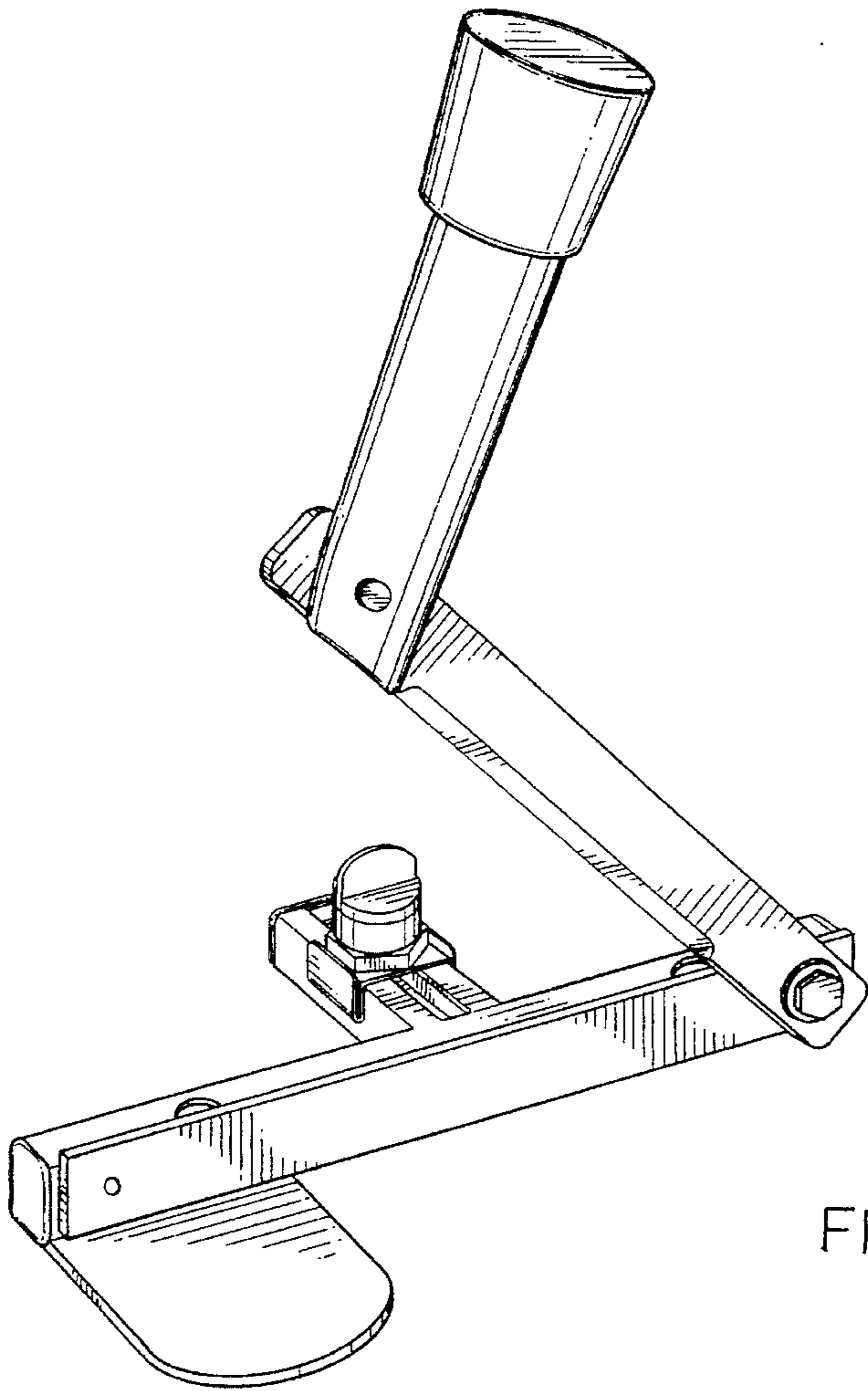


FIG. 1

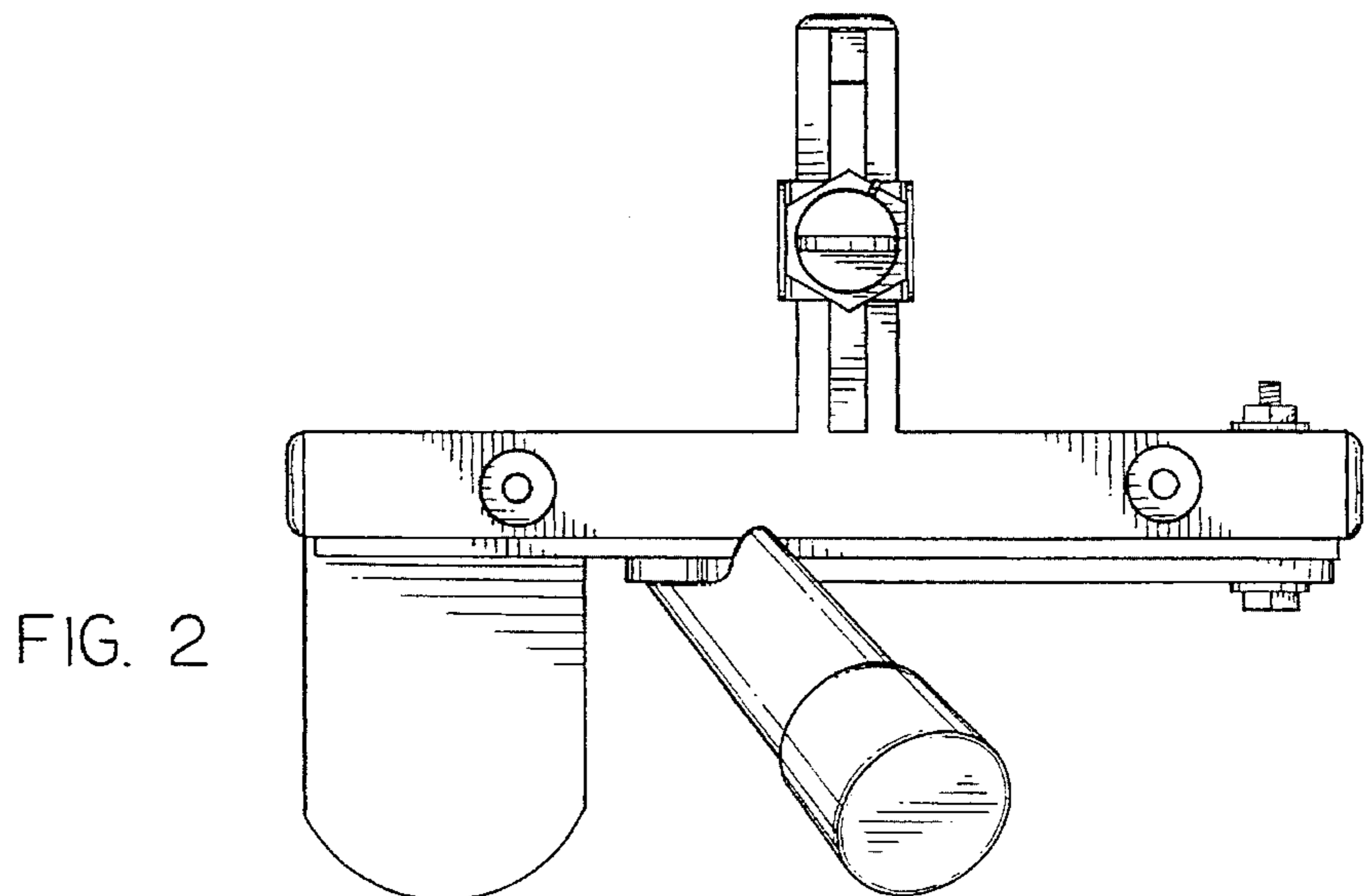


FIG. 2

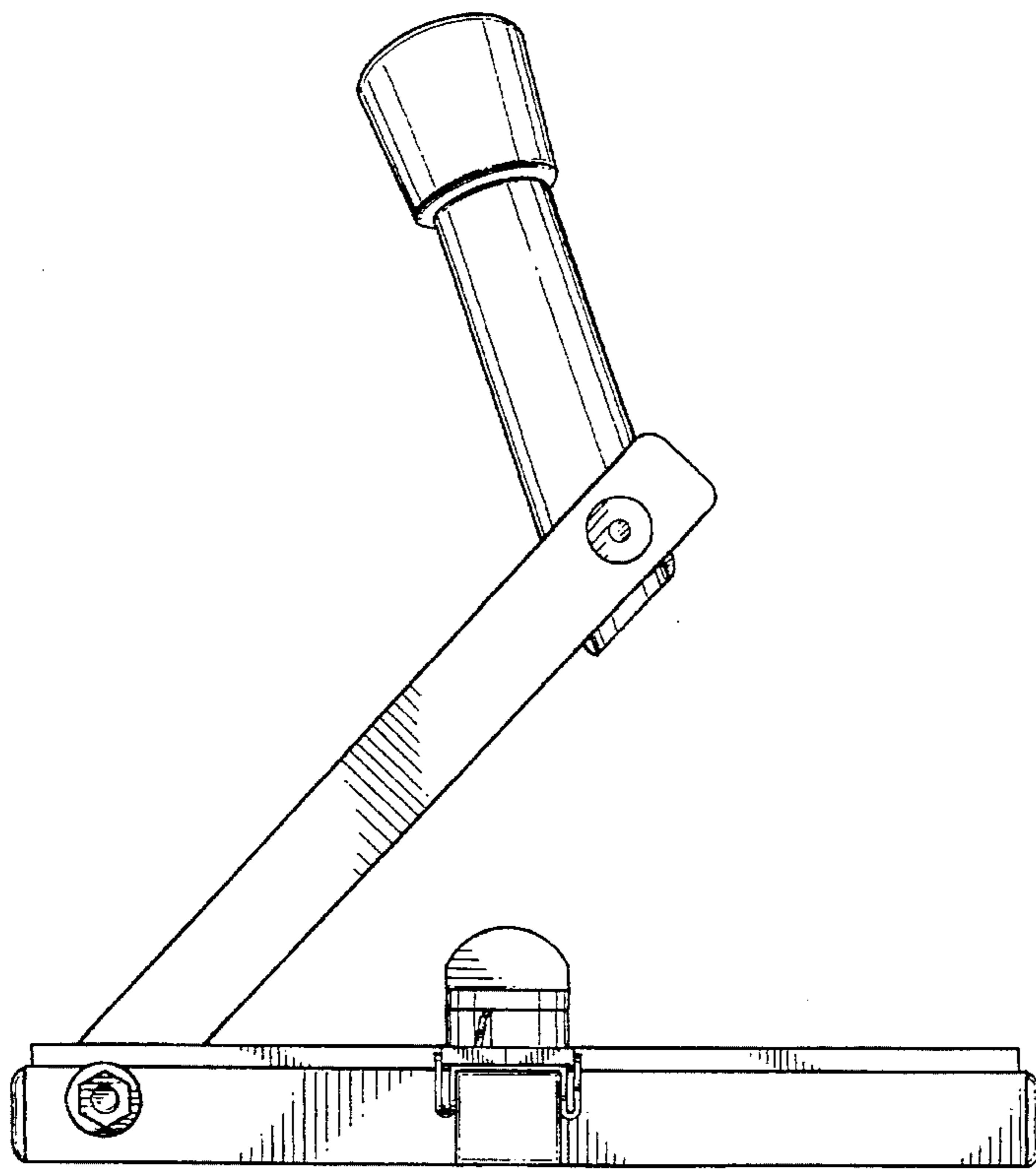


FIG. 3

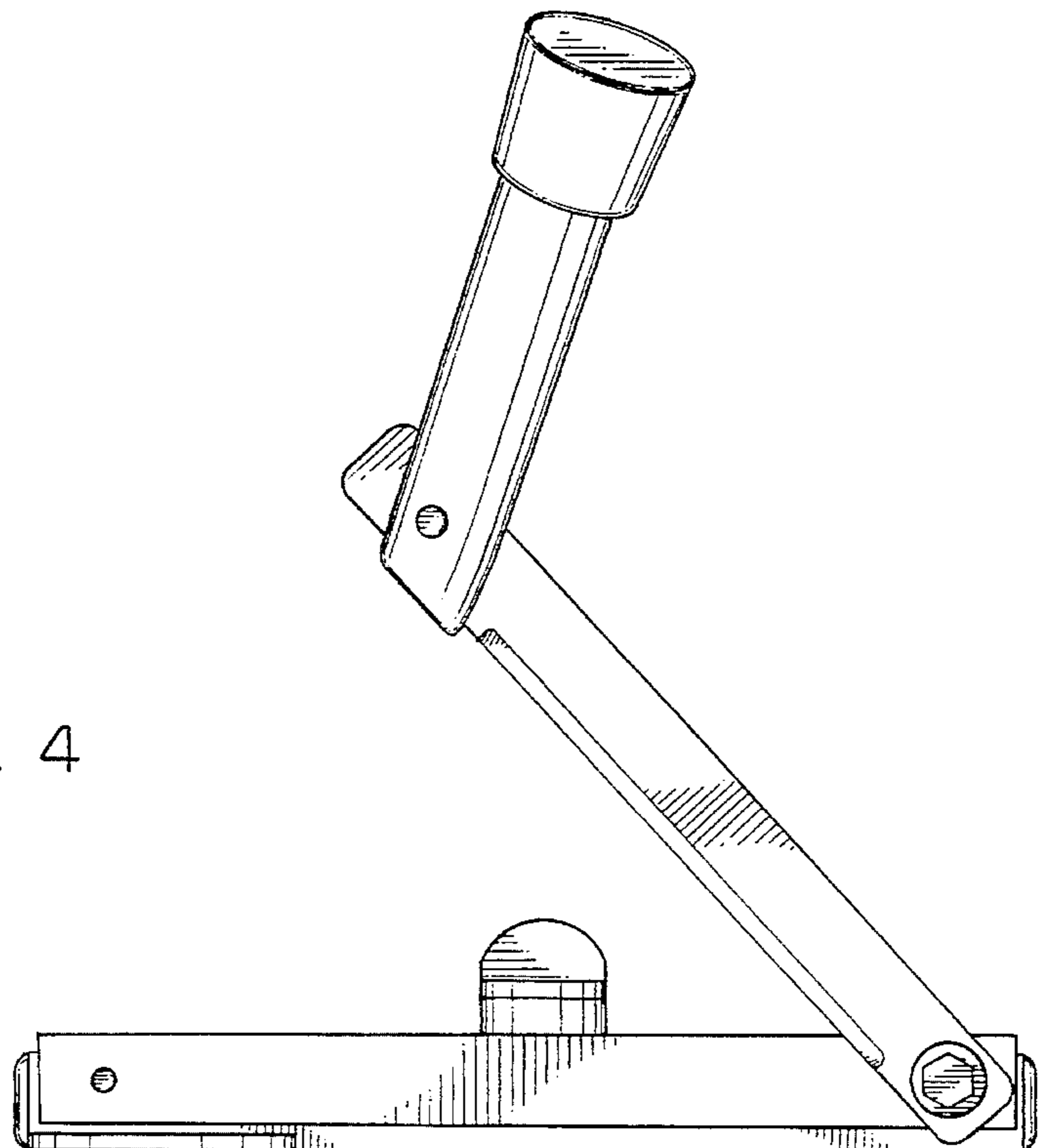


FIG. 4

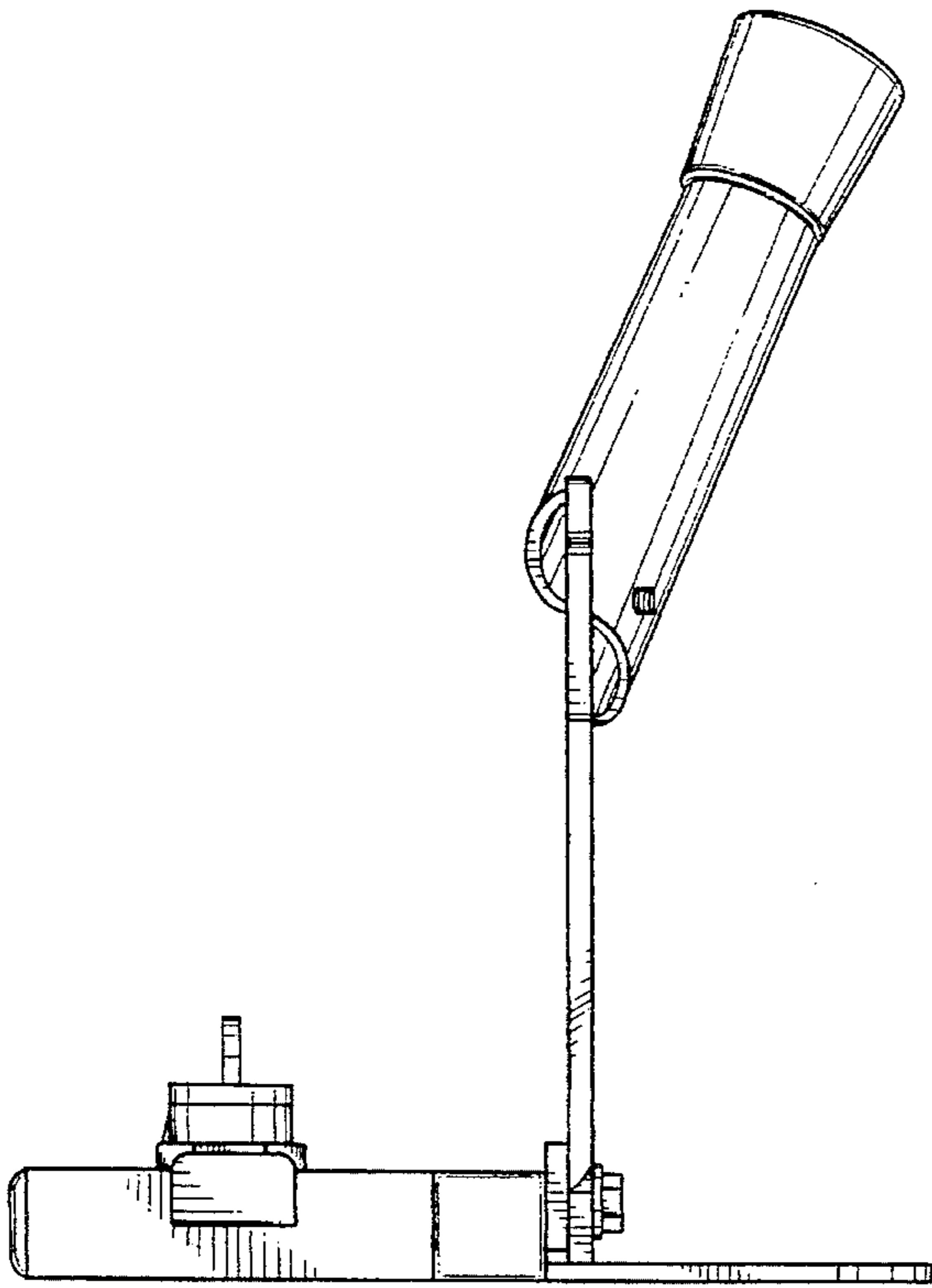


FIG. 5

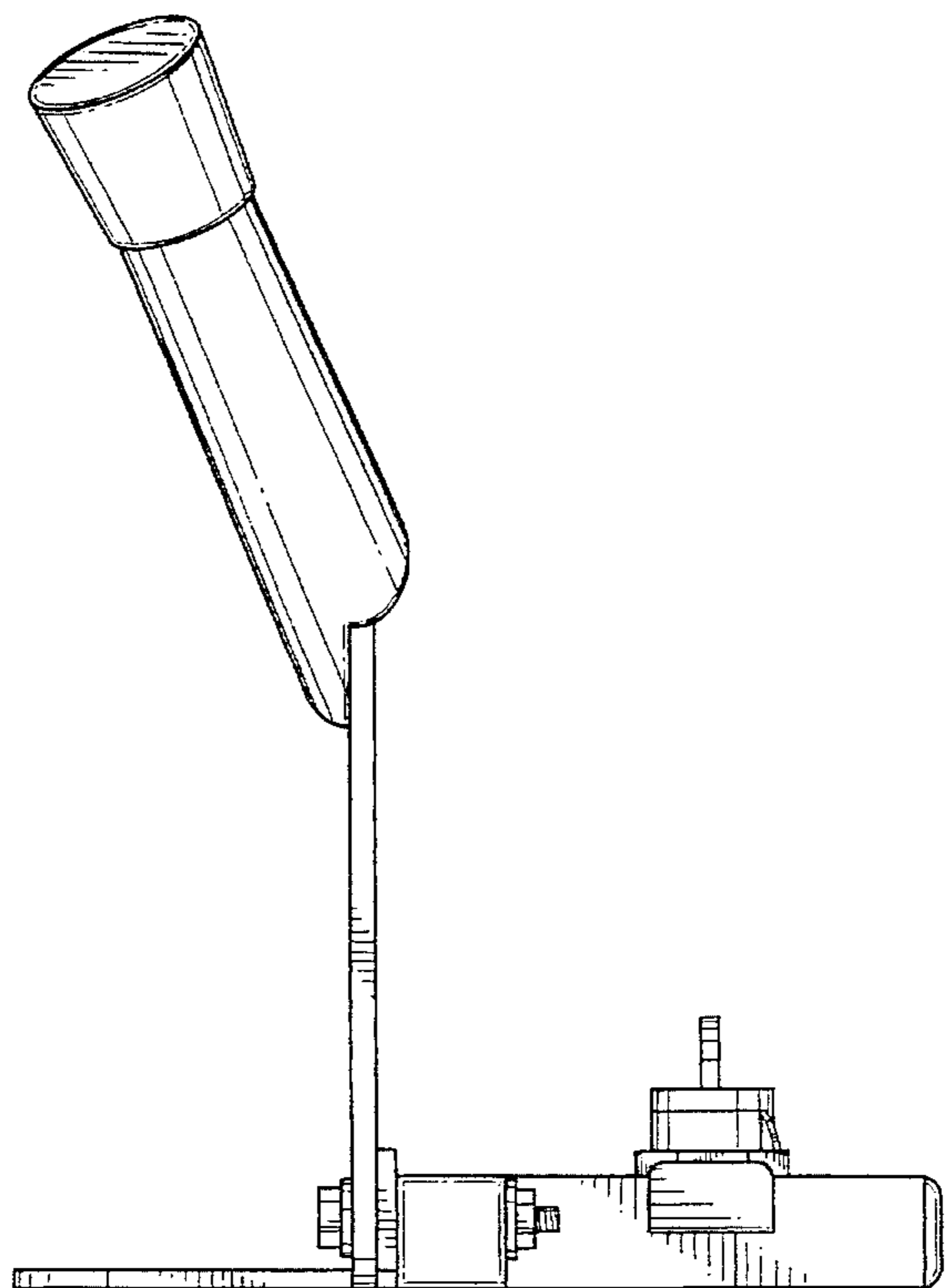


FIG. 6

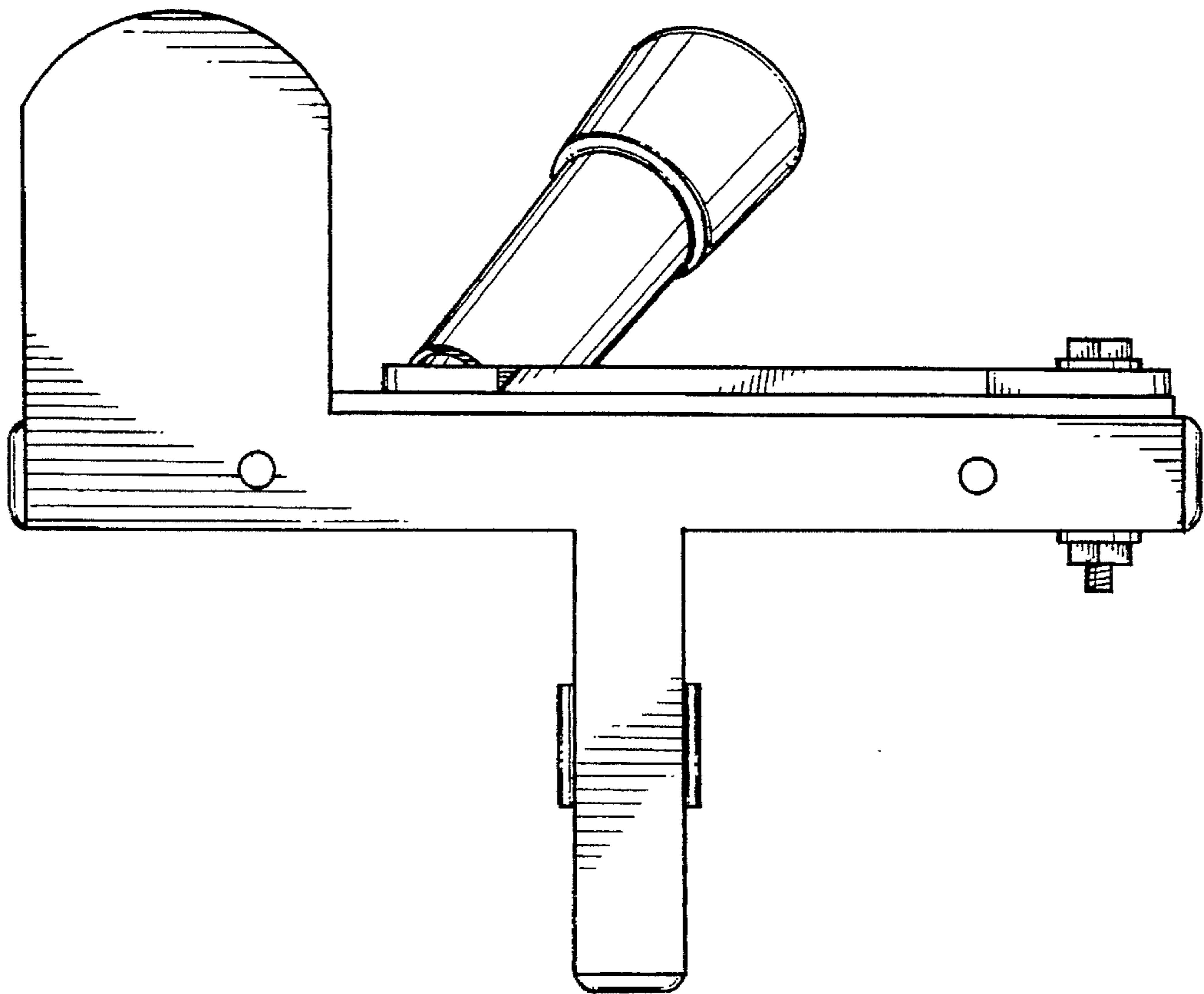


FIG. 7