



US00D363012S

# United States Patent [19]

[11] Patent Number: **Des. 363,012**

**Humphries**

[45] Date of Patent: **\*\*Oct. 10, 1995**

[54] **ILLUMINATED SCREWDRIVER**

[76] Inventor: **Harris L. Humphries**, 103 Meadow Dr., Birmingham, Ala. 35424

[\*\*] Term: **14 Years**

[21] Appl. No.: **18,816**

[22] Filed: **Feb. 16, 1994**

[52] U.S. Cl. .... **D8/87; D26/38; D8/83**

[58] Field of Search ..... **D8/82, 83, 84, D8/85, 86, 87; D26/38; 362/119; 81/177.1, 436, 489**

[56] **References Cited**

**U.S. PATENT DOCUMENTS**

D. 160,706	10/1950	Hetrick	.....	D8/87
1,603,985	10/1926	Rosenberg	.....	D8/87
2,240,596	5/1941	White et al.	.....	D8/87
2,673,284	3/1954	Henderson	.....	D8/87
2,674,685	4/1954	Young	.....	D8/87
2,736,792	2/1956	Freeland	.....	D8/87
3,919,541	11/1975	Chao	.....	81/436
4,302,797	11/1981	Cooper	.....	362/119
4,480,295	10/1984	Shuster	.....	362/119

**OTHER PUBLICATIONS**

Stanley Tools Catalog 1976, #34, p. 76 Various Screw drivers.

Time Motion Tools Catalog, 1993, p. 61, Various Screw drivers.

*Primary Examiner*—Prabhakar G. Deshmukh

*Assistant Examiner*—Philip Hyder

*Attorney, Agent, or Firm*—H. Jay Spiegel

[57] **CLAIM**

The ornamental design for a illuminated screwdriver, as shown and described.

**DESCRIPTION**

FIG. 1 is a perspective view of an illuminated screwdriver showing my new design;

FIG. 2 is an end elevational view thereof, showing the butt end of the handle with the actuator button;

FIG. 3 is a side elevational view thereof, wherein the opposite side appears the same; and,

FIG. 4 is a top plan view thereof, wherein the bottom plan view appears the same.

**1 Claim, 3 Drawing Sheets**

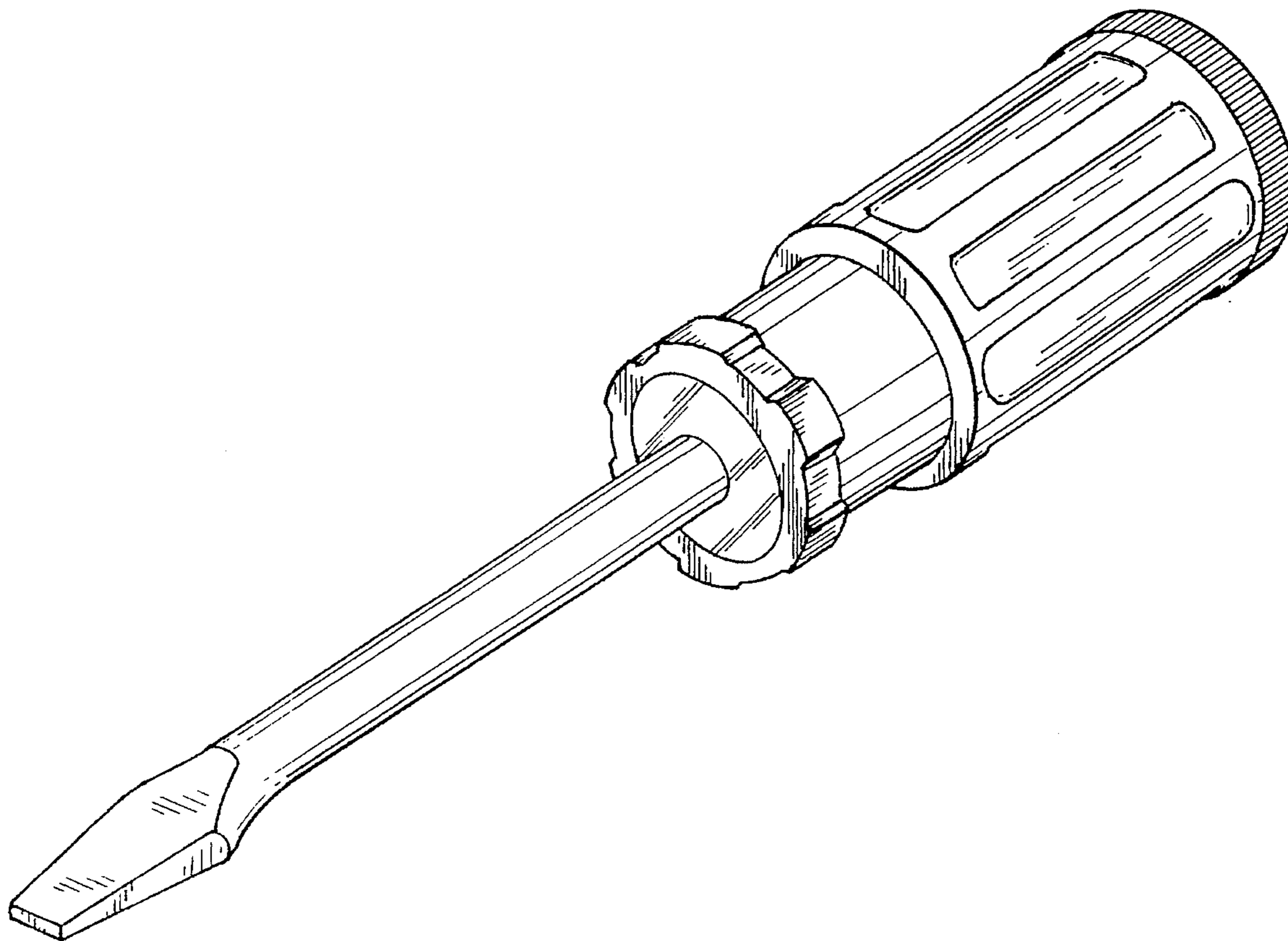


FIG. 1

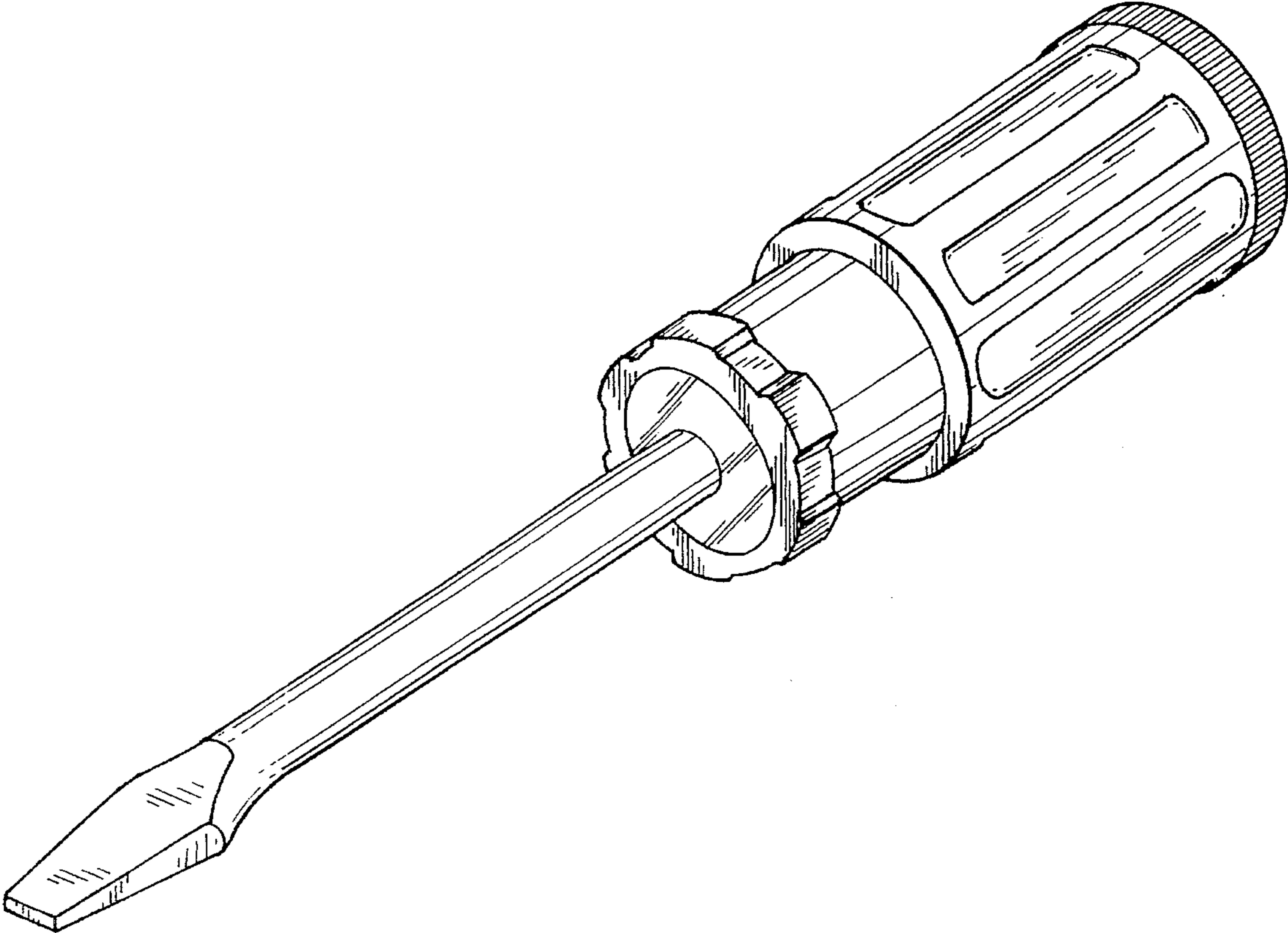


FIG. 3

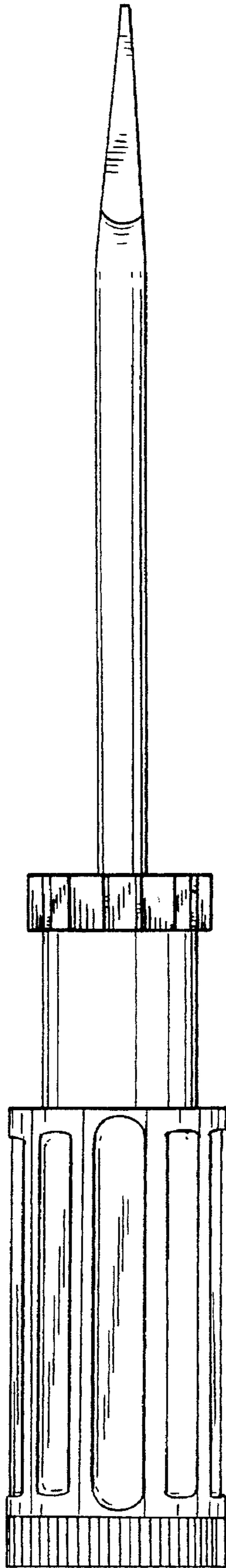


FIG. 2

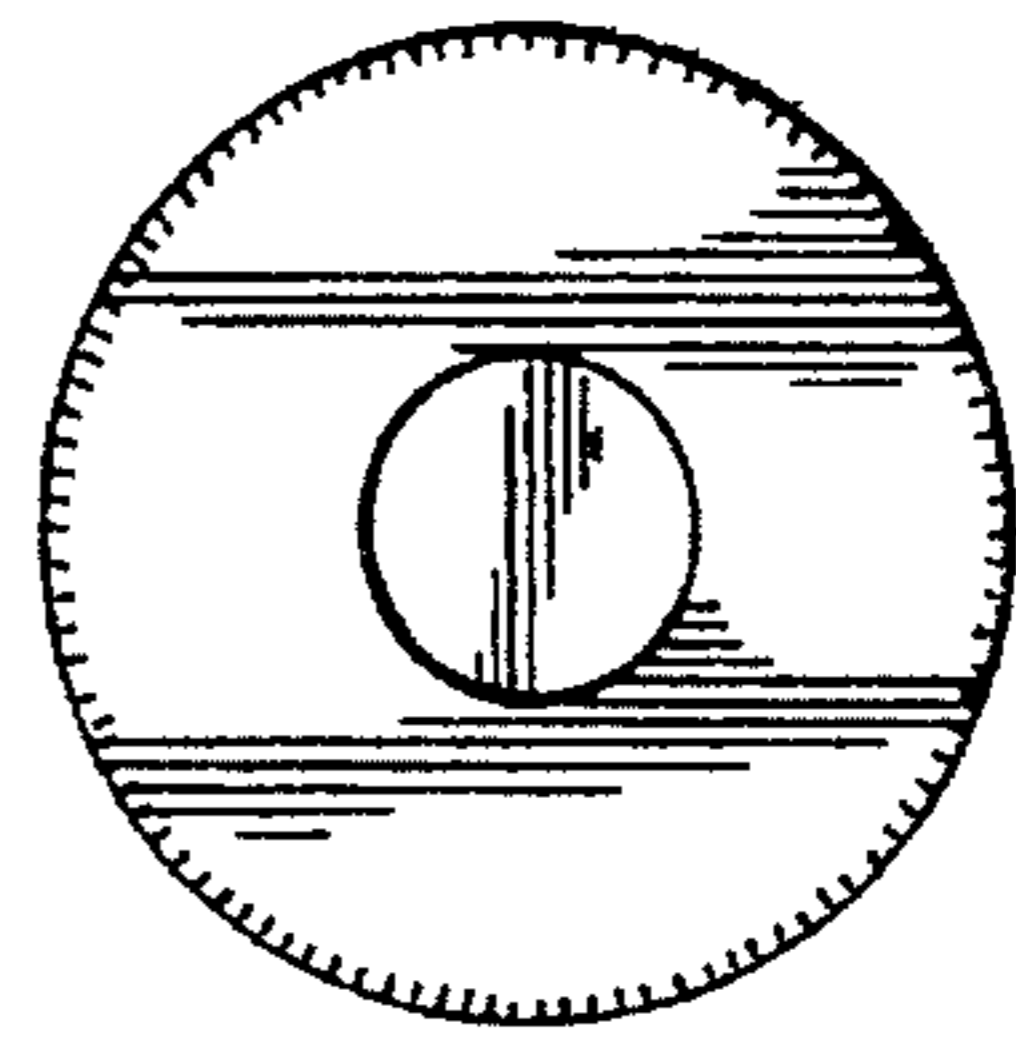


FIG. 4

