



US00D363011S

United States Patent [19]

[11] Patent Number: **Des. 363,011**

Gruner et al.

[45] Date of Patent: ****Oct. 10, 1995**

[54] **BOLT DRIVER**

4,548,533	10/1985	Pratt	411/77
4,781,085	11/1988	Fox	81/177.85
4,962,682	10/1990	Rose et al.	81/177.85

[76] Inventors: **Larry Gruner; Ara L. Gruner**, both of 2476 Shield Dr., Union City, Calif. 94587

Primary Examiner—Terry A. Wallace
Assistant Examiner—Richelle Shelton
Attorney, Agent, or Firm—Terry M. Gernstein

[**] Term: **14 Years**

[57] **CLAIM**

[21] Appl. No.: **25,186**

The ornamental design for a bolt driver, as shown and described.

[22] Filed: **Jul. 6, 1994**

[52] U.S. Cl. **D8/29**

DESCRIPTION

[58] Field of Search D8/14, 29; 81/121.1, 81/177.1, 177.2, 177.85, 436

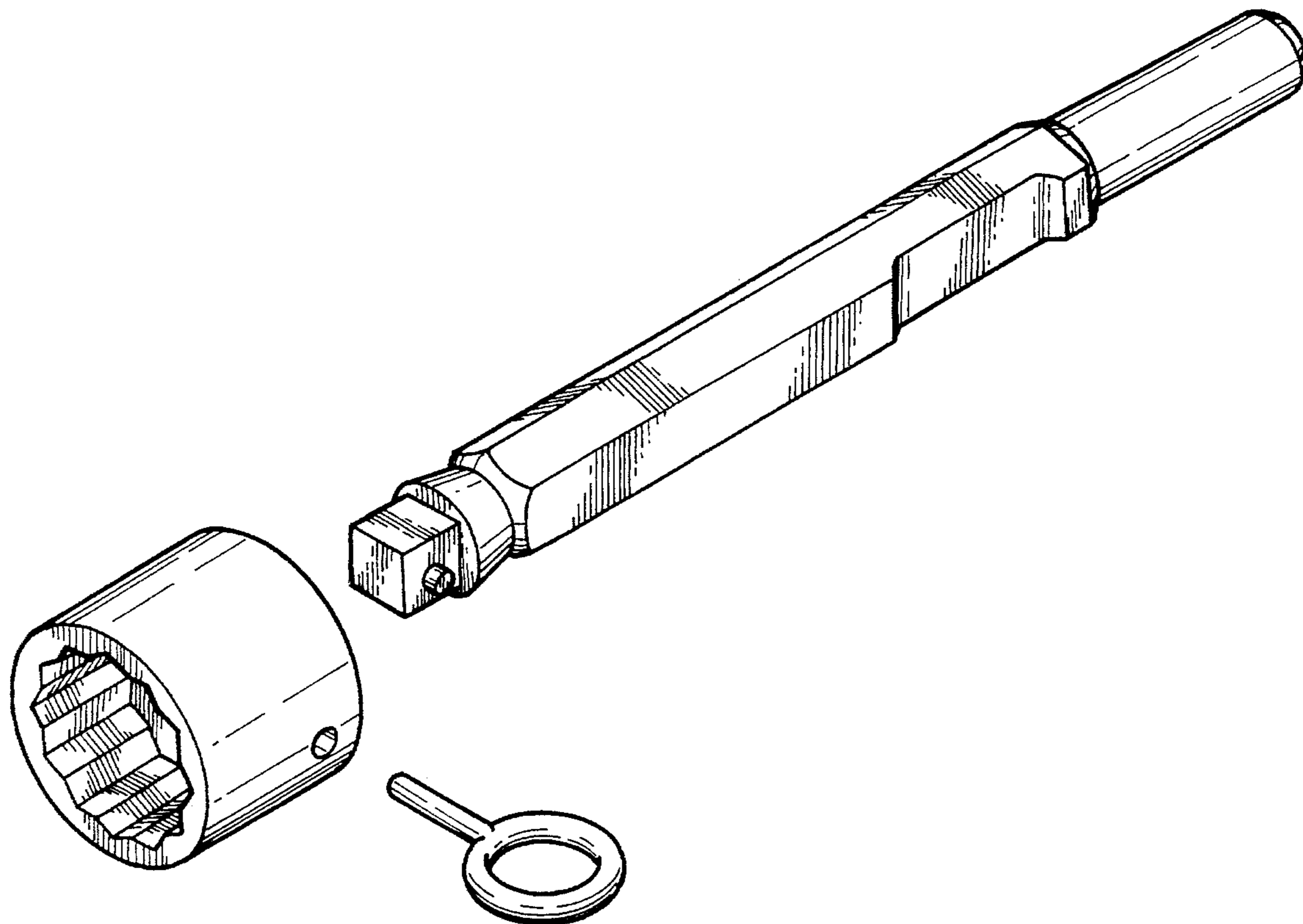
FIG. 1 is a front, top and side perspective view of a bolt driver showing our new design in the disassembled position; FIG. 2 is a front elevation view in an assembled position; FIG. 3 is a rear elevation view thereof; FIG. 4 is a side elevation view thereof, the opposite side being a mirror image; FIG. 5 is a top plan view thereof; and, FIG. 6 is a bottom plan view thereof.

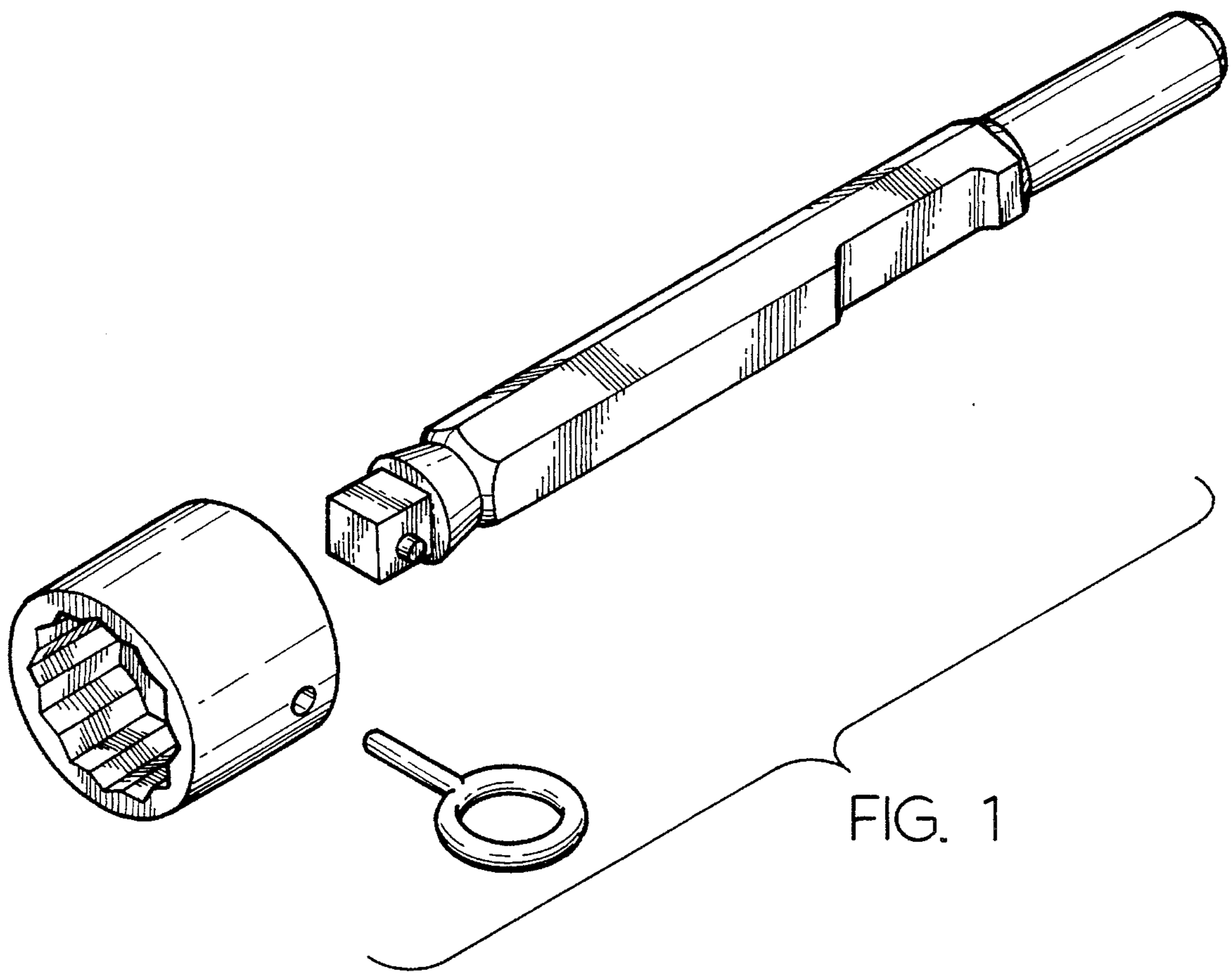
[56] **References Cited**

U.S. PATENT DOCUMENTS

D. 319,562	9/1991	Ballard	D8/29
4,040,287	8/1977	Wivinis	D8/14 X
4,266,453	5/1981	Farley	81/177.85
4,518,290	5/1985	Frichmann et al.	411/77
4,535,520	8/1985	Scherer	D8/14 X
4,537,542	8/1985	Pratt et al.	411/77

1 Claim, 3 Drawing Sheets





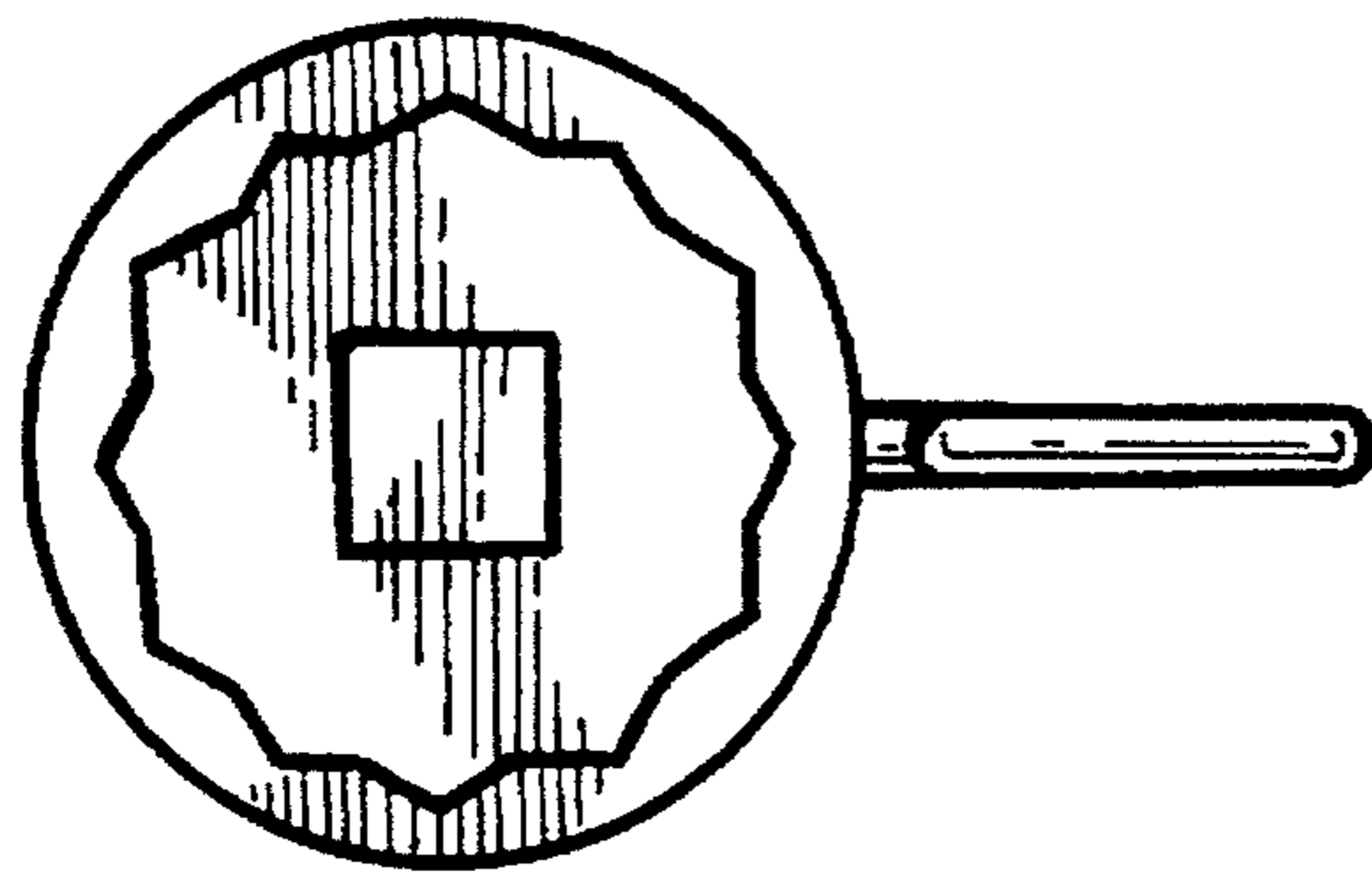


FIG. 2

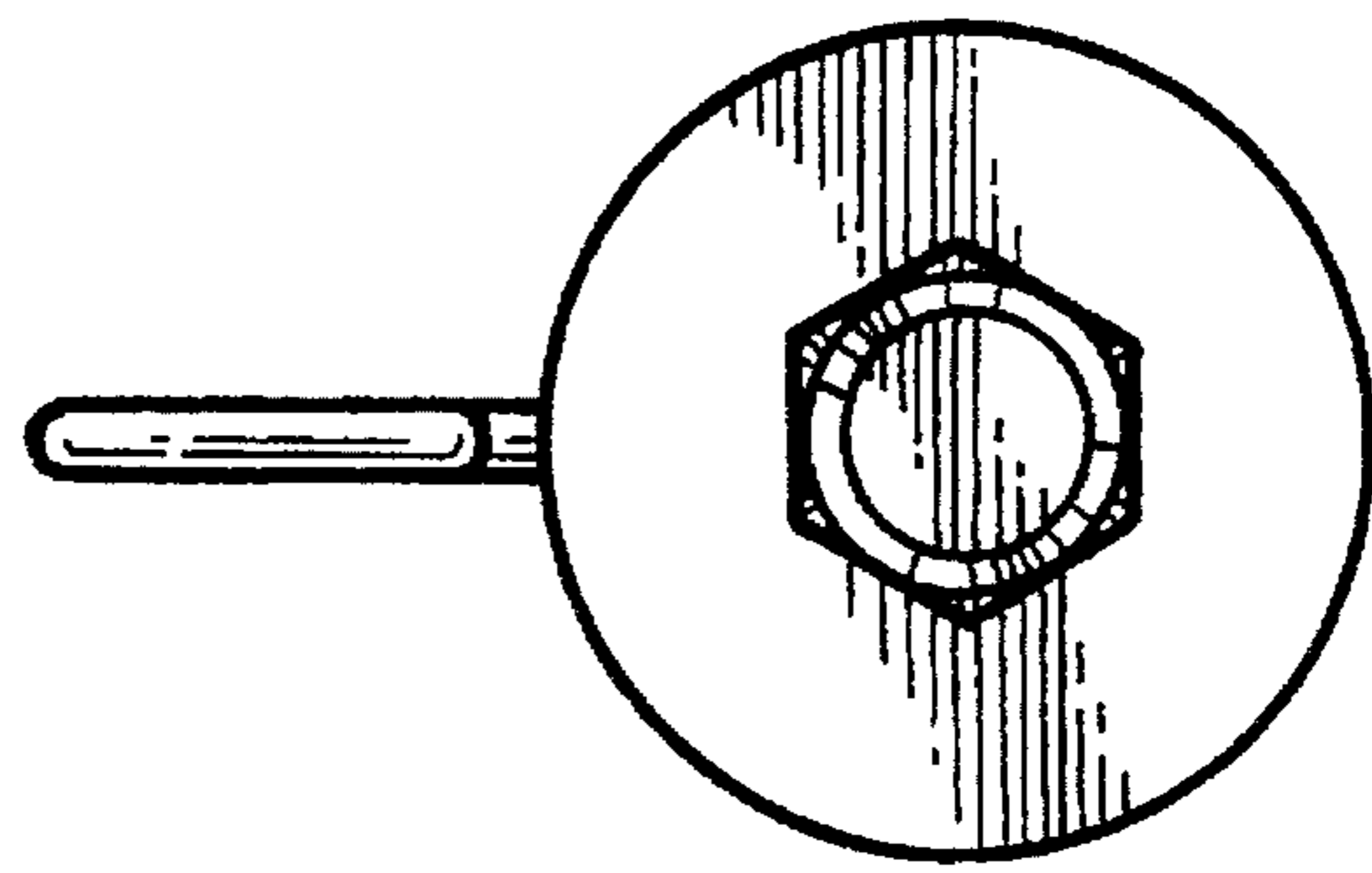


FIG. 3

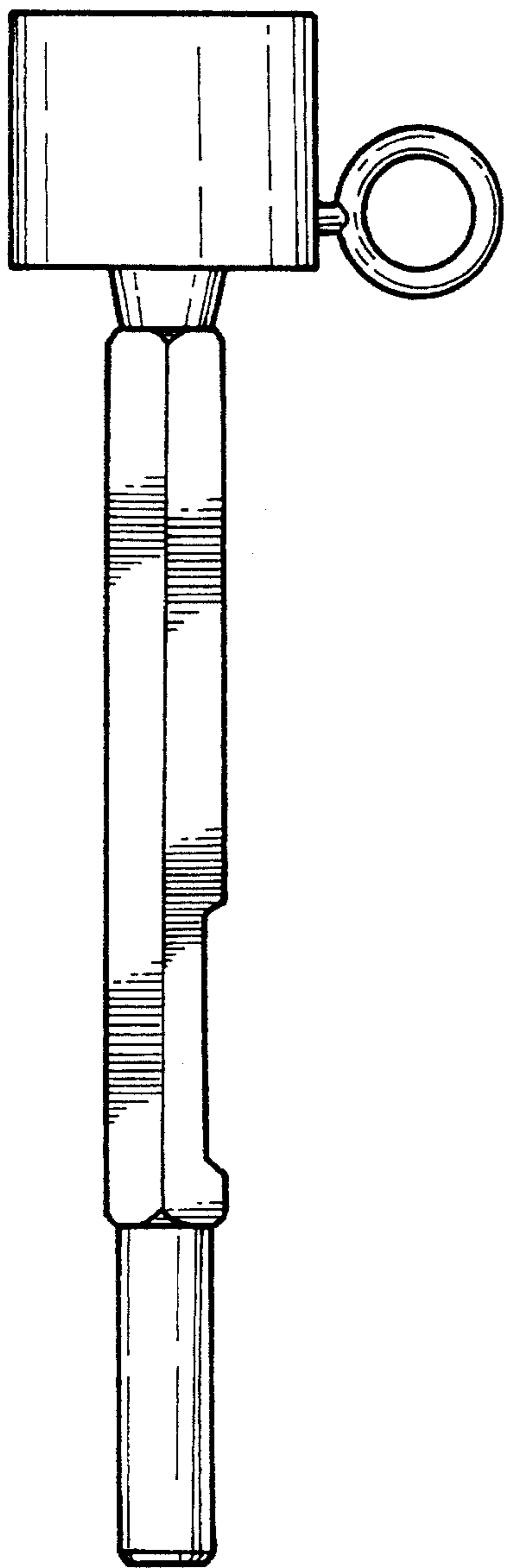


FIG. 4

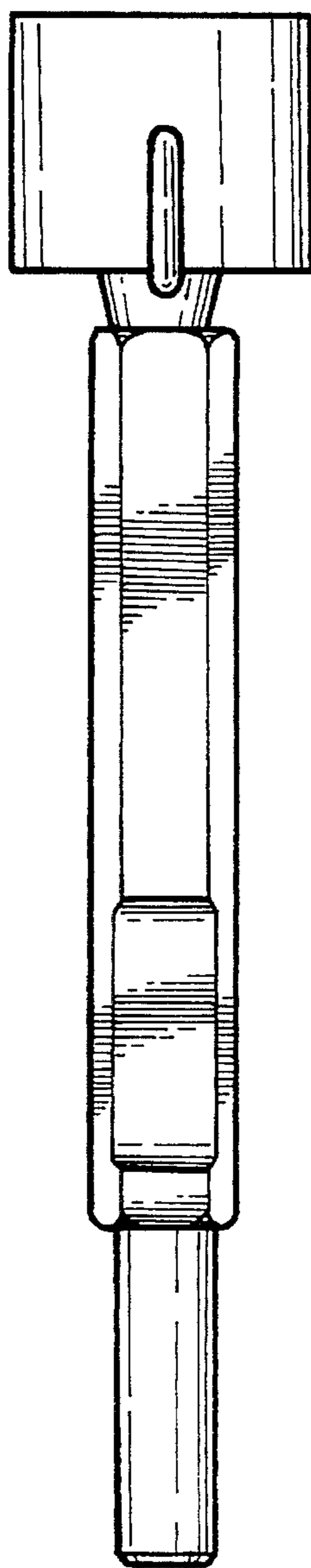


FIG. 5

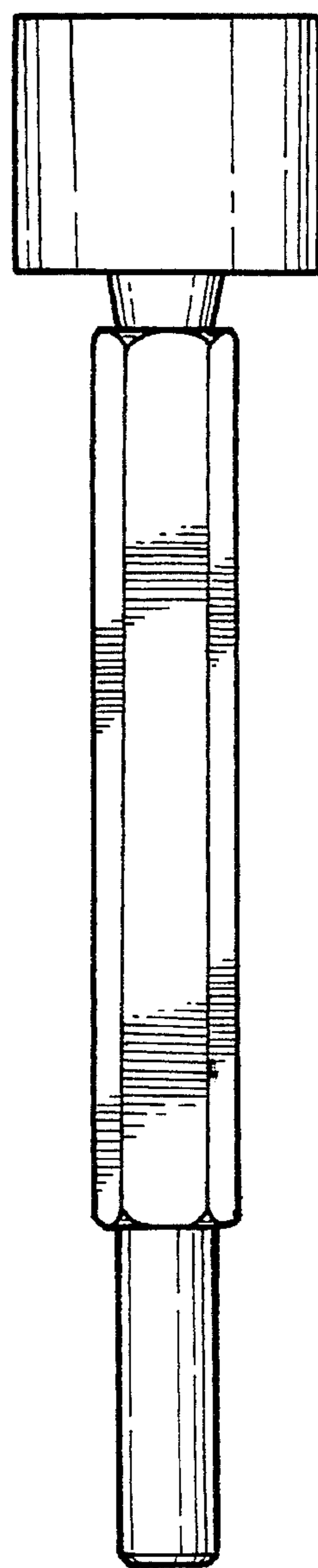


FIG. 6