



US00D363002S

United States Patent [19]

[11] Patent Number: **Des. 363,002**

Douglas

[45] Date of Patent: ****Oct. 10, 1995**

[54] **CORNBREAD BAKING DISH**

[76] Inventor: **Lee F. Douglas**, 4804 Haverwood La.,
No. 513, Dallas, Tex. 75287

[**] Term: **14 Years**

[21] Appl. No.: **834,804**

[22] Filed: **Feb. 12, 1992**

[52] U.S. Cl. **D7/543; D7/354; D7/361**

[58] Field of Search **D7/543, 551, 550,
D7/545, 546, 548, 549, 552, 553, 554,
555, 556, 557, 566, 354, 361, 366, 367;
220/574, 767, 769, 771, 912; D9/424**

[56] **References Cited**

U.S. PATENT DOCUMENTS

D. 174,431	4/1955	Jepson et al.	D81/10
D. 176,328	12/1955	Hampshire	D44/1
D. 181,246	10/1957	Boldt	D81/10
D. 197,663	3/1964	O'Reilly	D7/361 X
D. 204,145	3/1966	De Puy	D7/361
D. 204,996	6/1966	Lepoix	D44/1
D. 208,317	8/1967	Broder	D7/553
D. 208,565	9/1967	Leonardo	D7/553
D. 212,821	11/1968	Benes	D9/424 X
D. 230,460	2/1974	Gulotta	D7/361
D. 236,415	8/1975	Cyren	D7/95
D. 245,059	7/1977	Bardin	D7/361
D. 246,884	1/1978	Finke	D7/361
D. 276,873	12/1984	Gulotta	D7/543
D. 277,251	1/1985	Gulotta	D7/20
D. 280,175	8/1985	Bassett	D7/354
D. 287,092	12/1986	Durand	D7/361
D. 297,604	9/1988	Hagberg et al.	D7/361 X

D. 306,679	3/1990	Schultz	D7/361
940,422	11/1909	Bailman	220/769 X
2,777,626	1/1957	French	D7/545 X
3,384,195	5/1968	Jepson et al.	D7/354 X
4,462,388	7/1984	Bohl et al.	126/390
4,926,521	5/1990	Gagnepain	16/110
5,004,121	4/1991	Howe	220/912 X
5,056,424	10/1991	Lai	220/912 X

FOREIGN PATENT DOCUMENTS

924202	7/1947	France	D7/550
--------	--------	--------------	--------

OTHER PUBLICATIONS

Tableware international p. 26 (#11) Aug. 1983.
House Beautiful.

Primary Examiner—Alan P. Douglas
Assistant Examiner—M. M. Pandozzi
Attorney, Agent, or Firm—Dennis T. Griggs

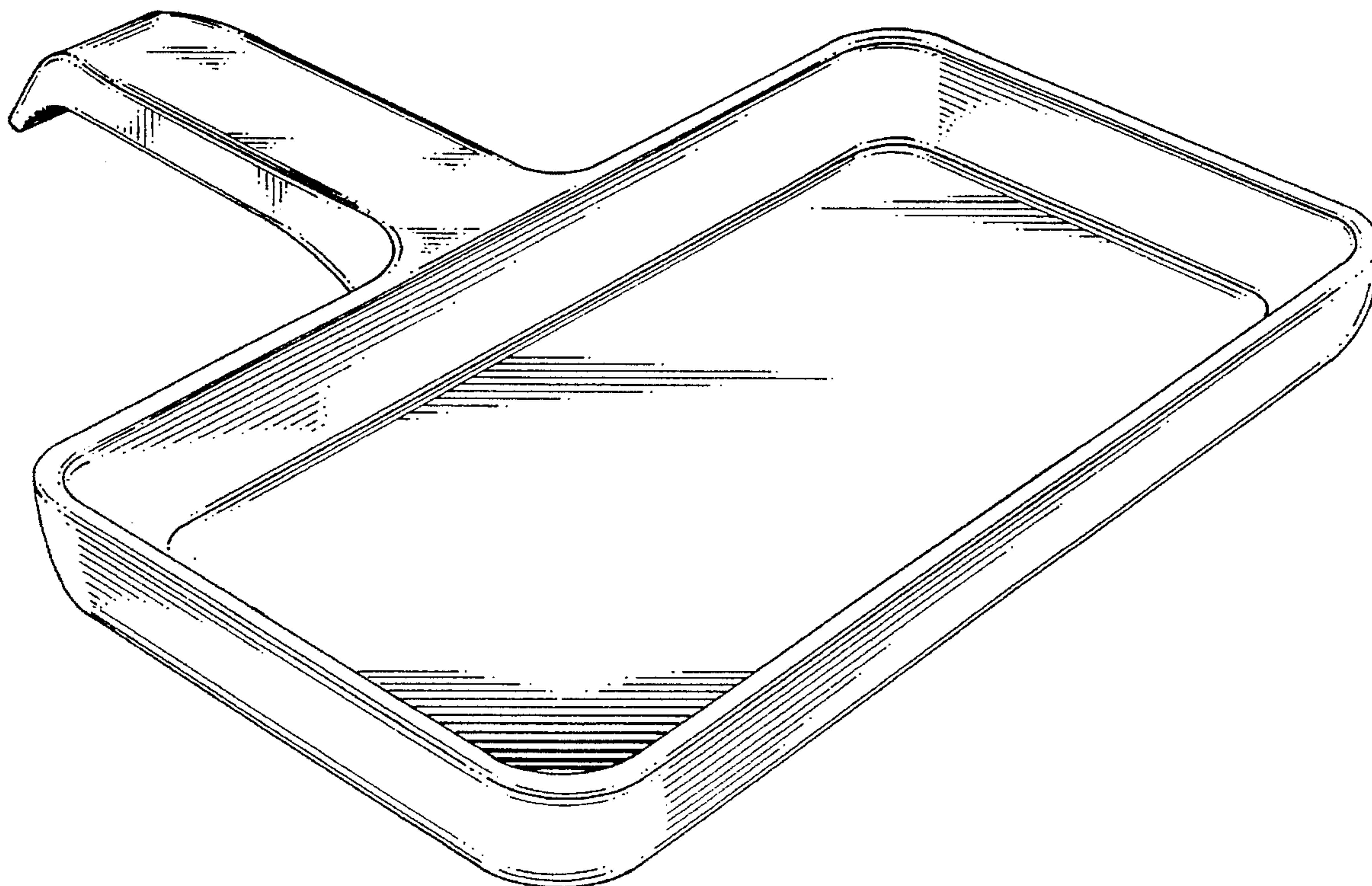
[57] **CLAIM**

The ornamental design for a cornbread baking dish, as shown and described.

DESCRIPTION

FIG. 1 is a top perspective view of a cornbread baking dish which illustrates my new design;
FIG. 2 is a top plan view thereof;
FIG. 3 is a right side elevational view thereof, the left side elevational view being a mirror image thereof;
FIG. 4 is a front elevational view thereof;
FIG. 5 is a bottom plan view thereof; and,
FIG. 6 is a rear elevational view thereof.

1 Claim, 2 Drawing Sheets



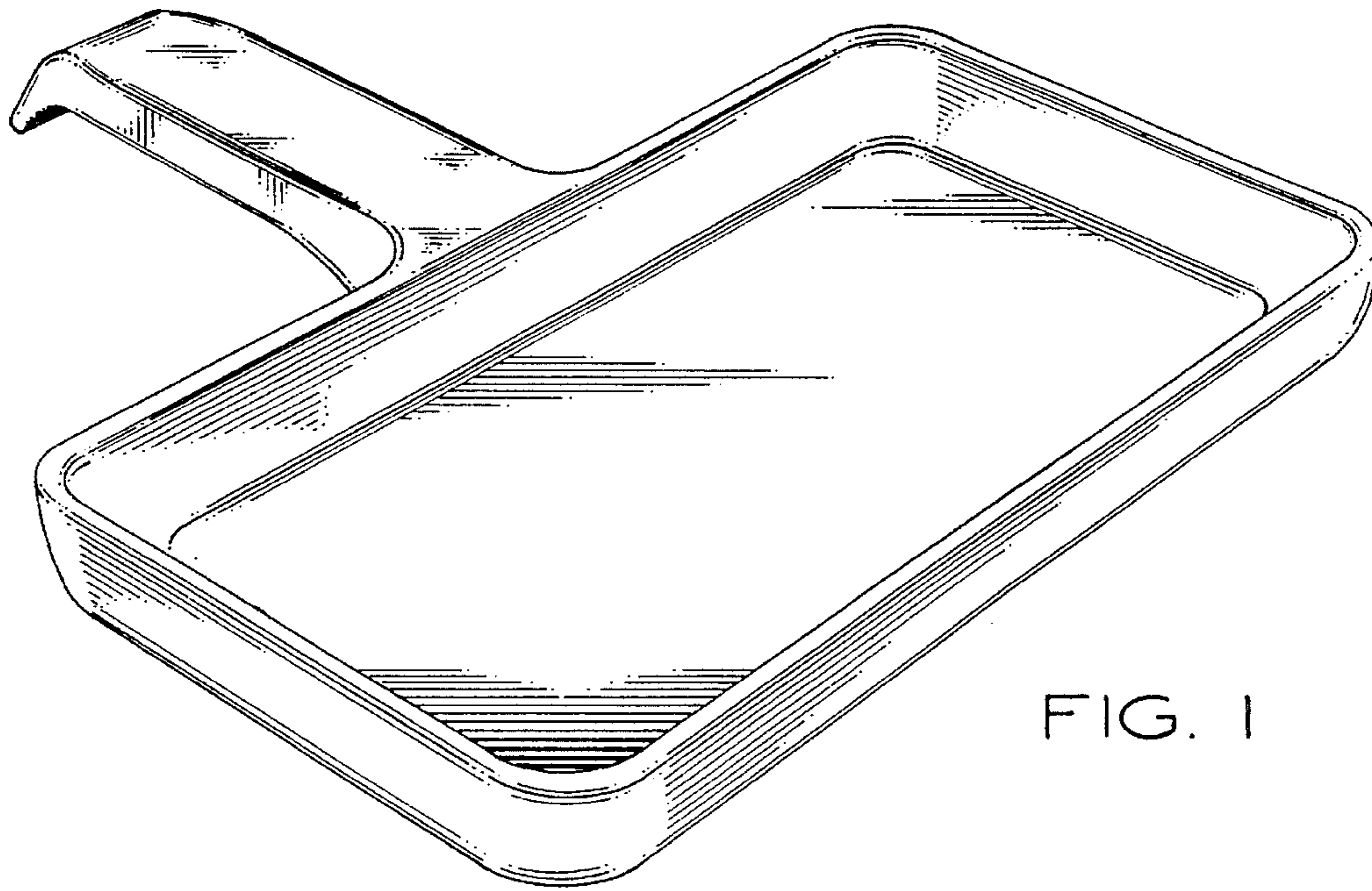


FIG. 1

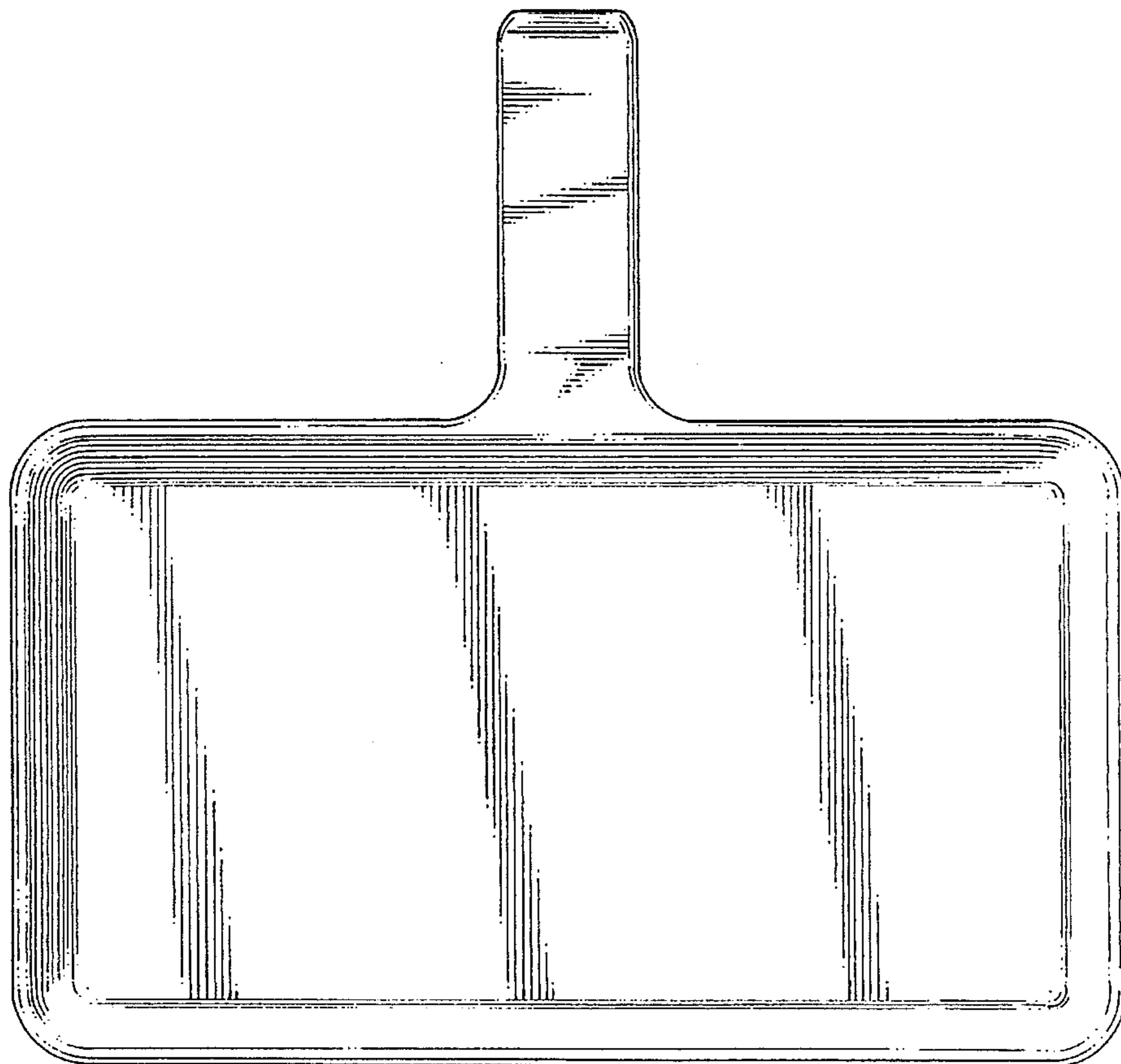


FIG. 2

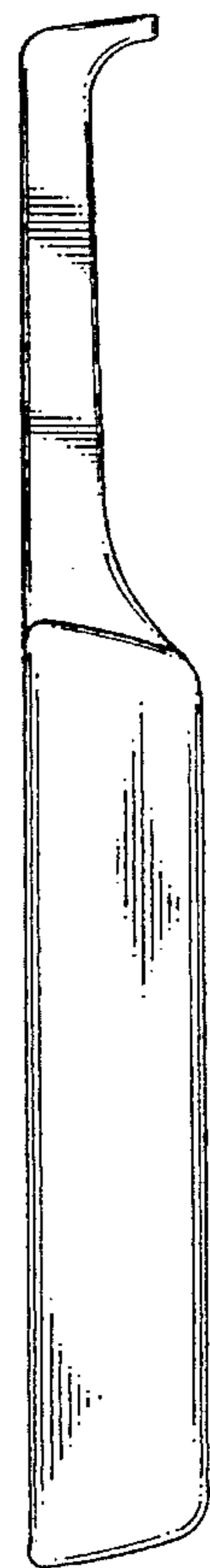


FIG. 3

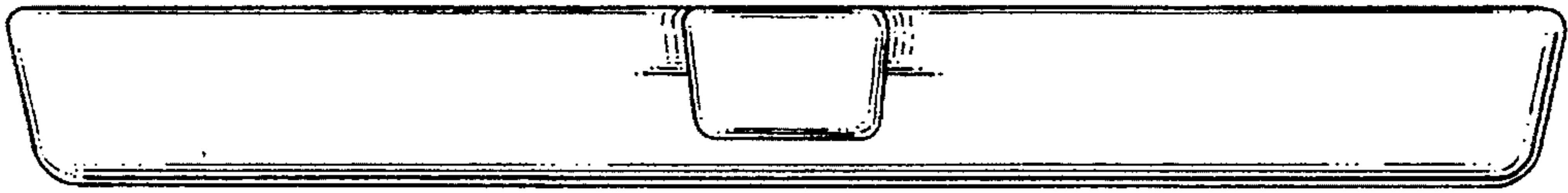


FIG. 4

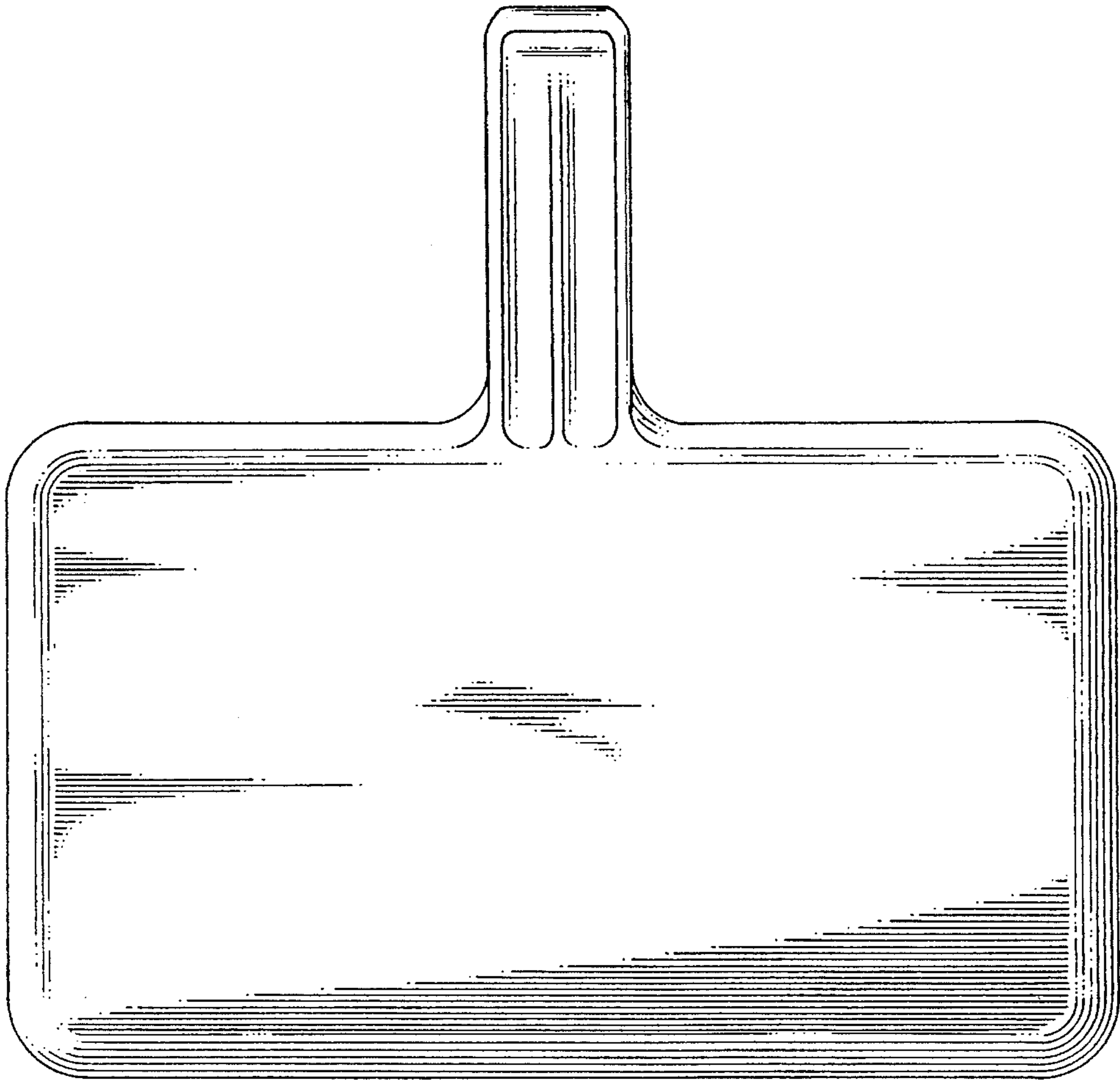


FIG. 5

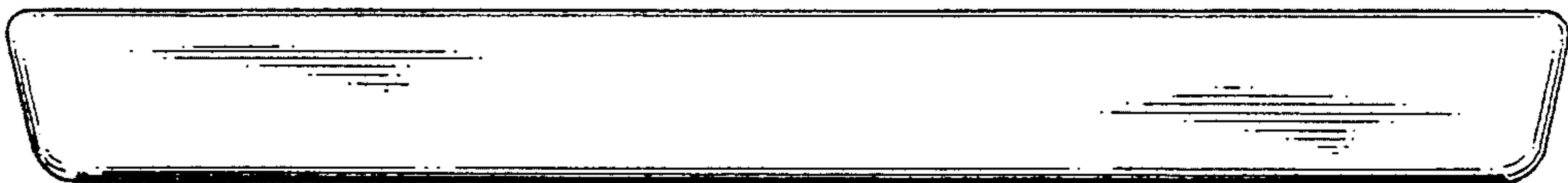


FIG. 6