



US00D363001S

# United States Patent [19]

[11] Patent Number: **Des. 363,001**

Scholfield

[45] Date of Patent: **\*\*Oct. 10, 1995**

[54] CUP

5,029,720 7/1991 Bridges ..... D7/536 X

[76] Inventor: **Richard P. Scholfield**, 4608 Eastlake Cir., Sarasota, Fla. 34232

*Primary Examiner*—Alan P. Douglas  
*Assistant Examiner*—M. N. Pandozzi  
*Attorney, Agent, or Firm*—Cushman Darby & Cushman

[\*\*] Term: **14 Years**

[57] **CLAIM**

[21] Appl. No.: **21,380**

The ornamental design for cup, as shown and described.

[22] Filed: **Apr. 15, 1994**

**DESCRIPTION**

[52] U.S. Cl. .... **D7/536; D7/533**

[58] Field of Search ..... D7/505, 506, 507,  
D7/509, 510, 511, 513, 514, 523, 533,  
536, 318, 622, 600, 535; 220/717, 740,  
711, 713

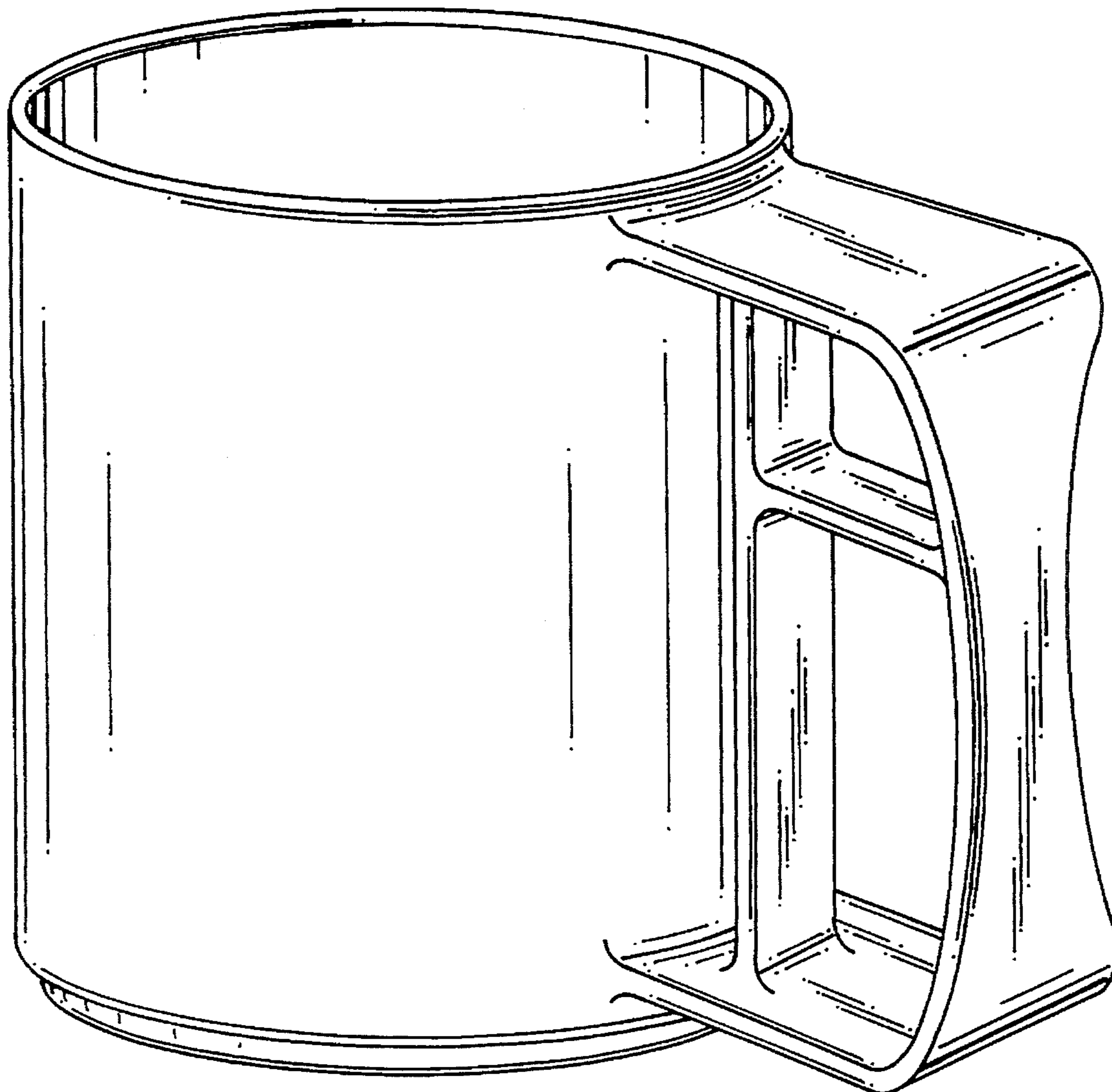
FIG. 1 is a perspective view of a cup showing my design;  
FIG. 2 is a top plan view thereof;  
FIG. 3 is a bottom plan view thereof;  
FIG. 4 is a front elevational view of the cup, the rear  
elevational view being a mirror image thereof;  
FIG. 5 is a side elevational view of the cup taken from line  
5—5 in FIG. 4;  
FIG. 6 is a side elevational view of the cup taken from line  
6—6 in FIG. 4;  
FIG. 7 is a sectional taken along line 7—7 in FIG. 2; and,  
FIG. 8 is a sectional view taken long line 8—8 in FIG. 2.

[56] **References Cited**

**U.S. PATENT DOCUMENTS**

D. 174,432	4/1955	Johnson, Jr. ....	D7/622
D. 184,673	3/1959	Fasure .....	D7/622
D. 227,532	7/1973	Refsgaard .....	D7/536
D. 258,795	4/1981	Zamorski .....	D7/536
D. 334,869	4/1993	Mills .....	D7/536 X
2,689,760	9/1954	Vanous .....	D7/622 X

**1 Claim, 4 Drawing Sheets**



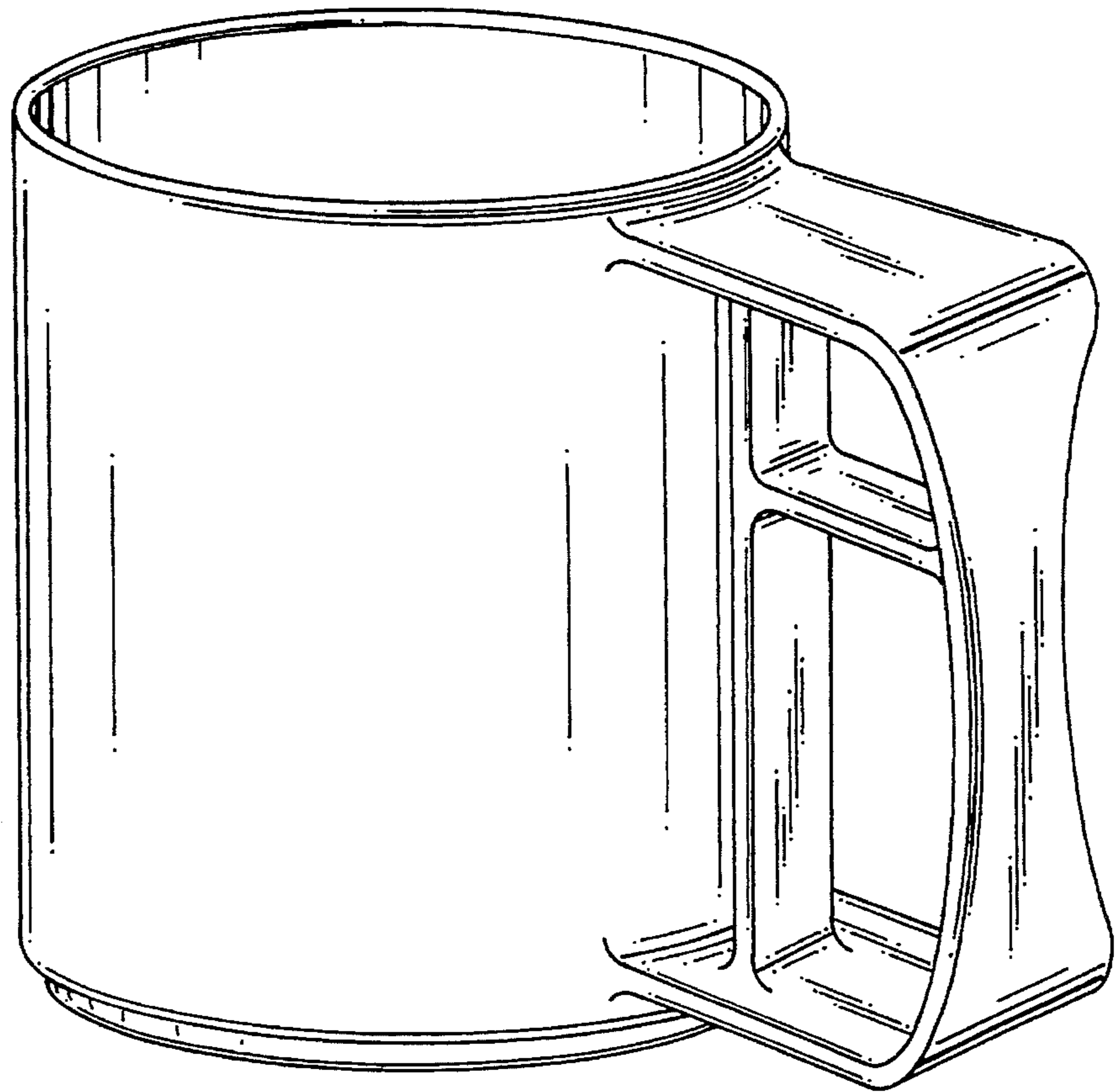


FIG. 1

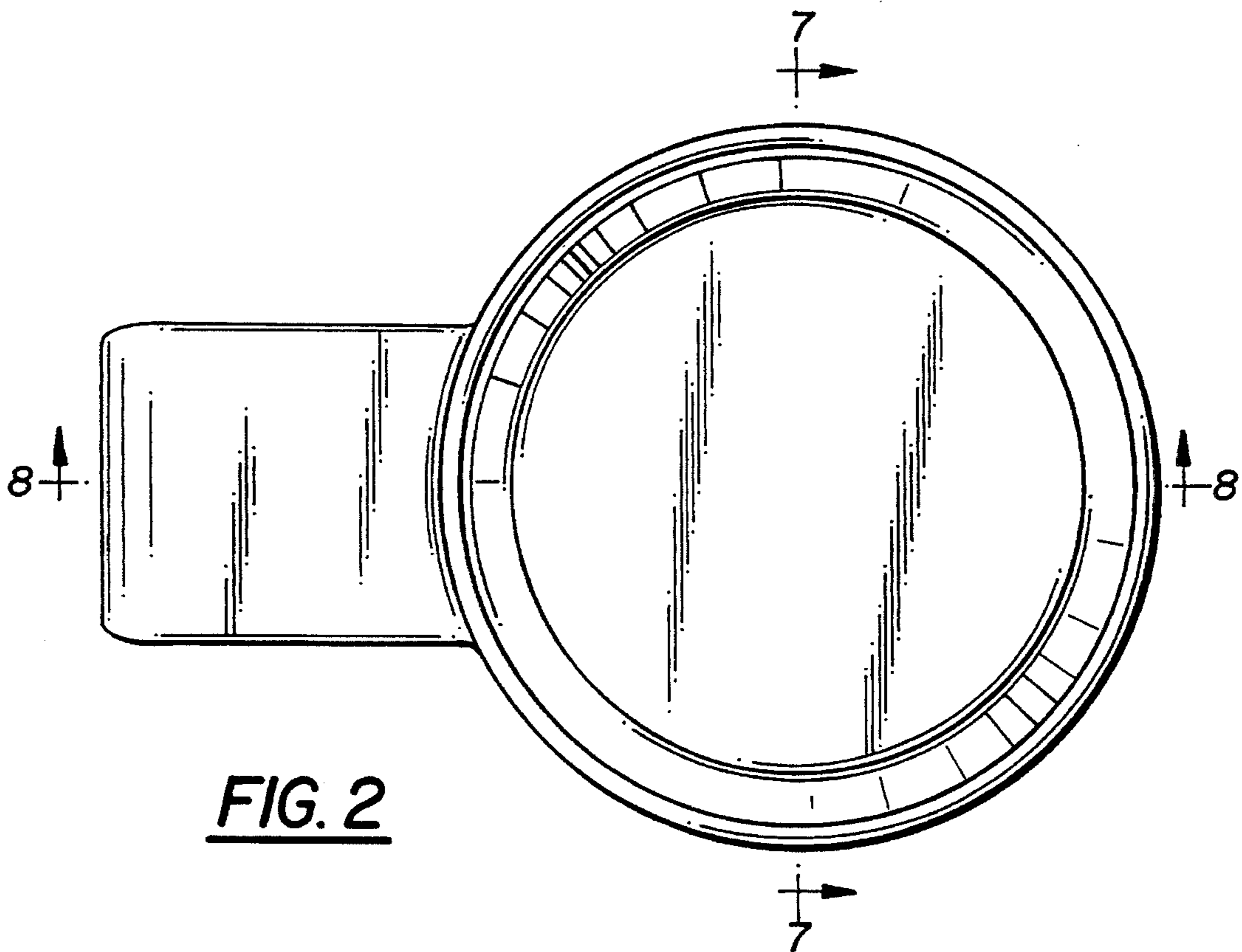


FIG. 2

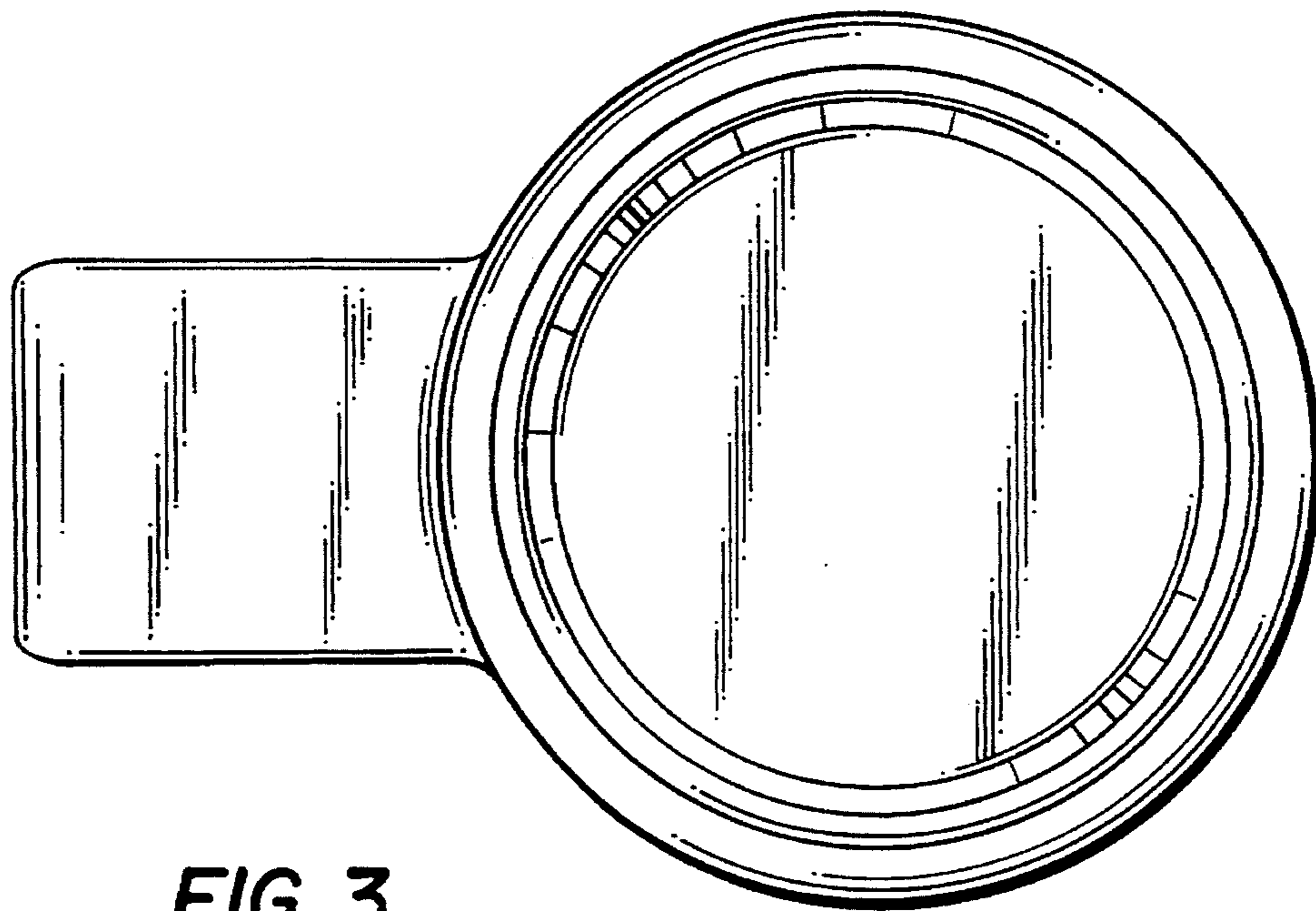


FIG. 3

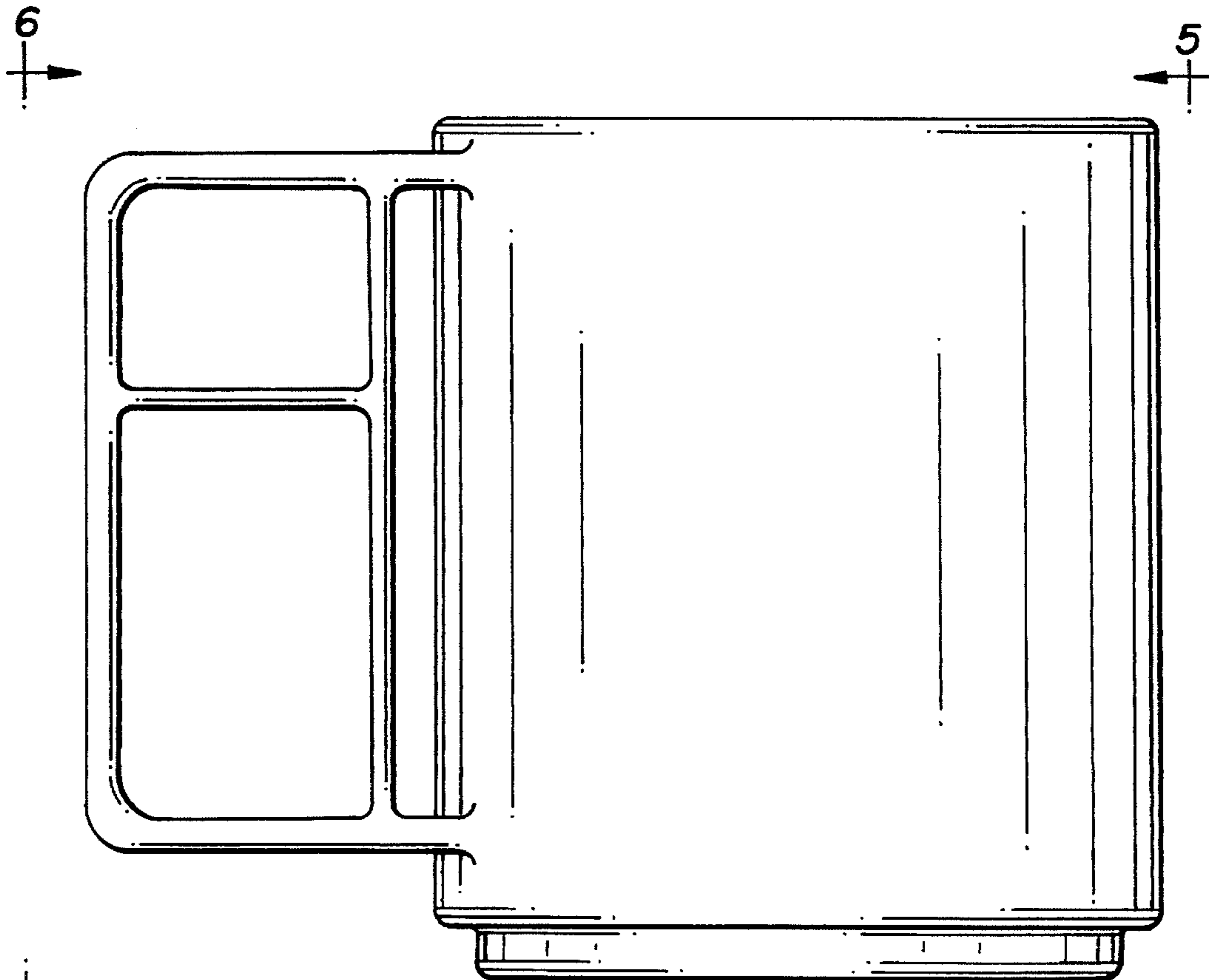


FIG. 4

FIG. 5

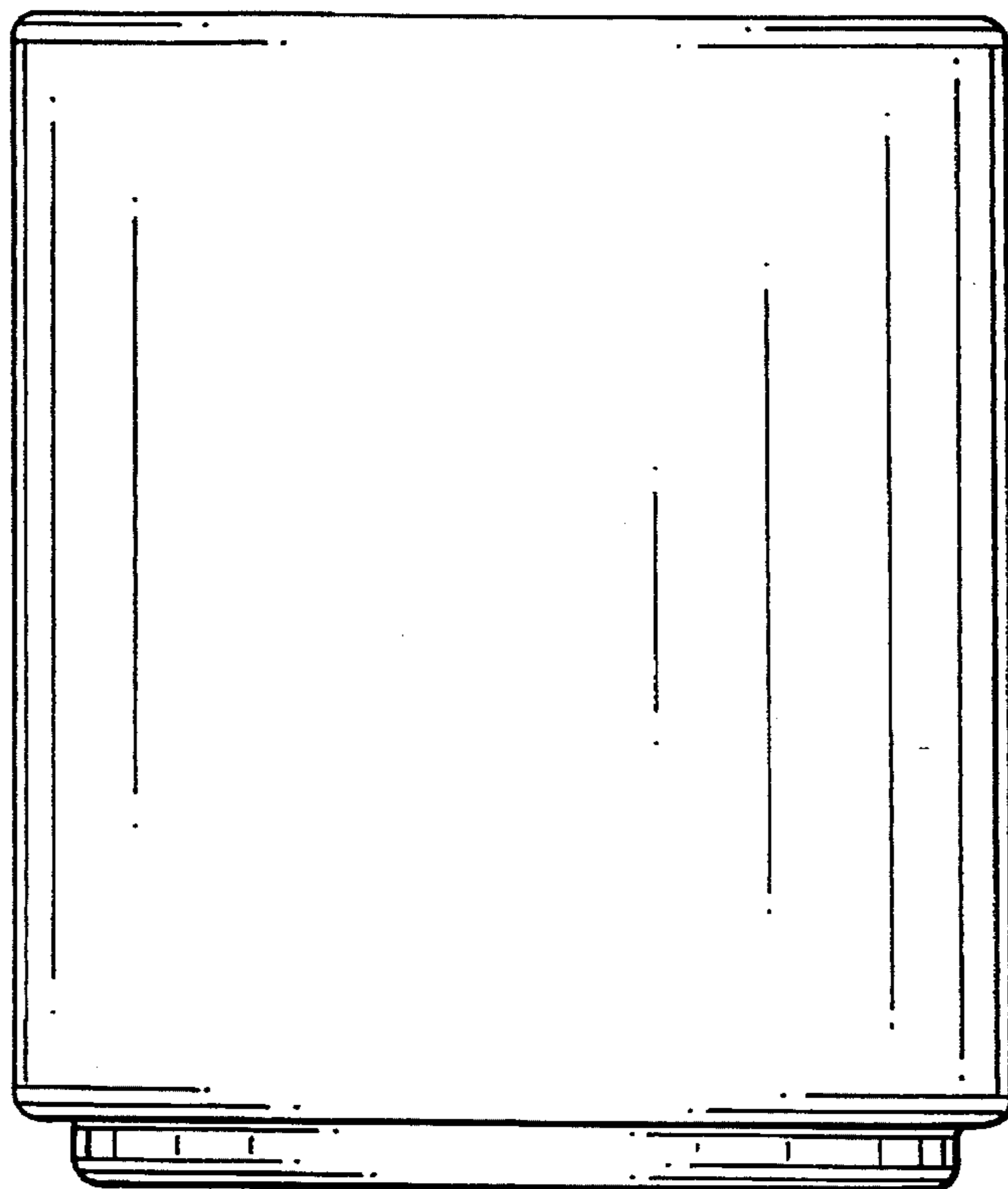


FIG. 6

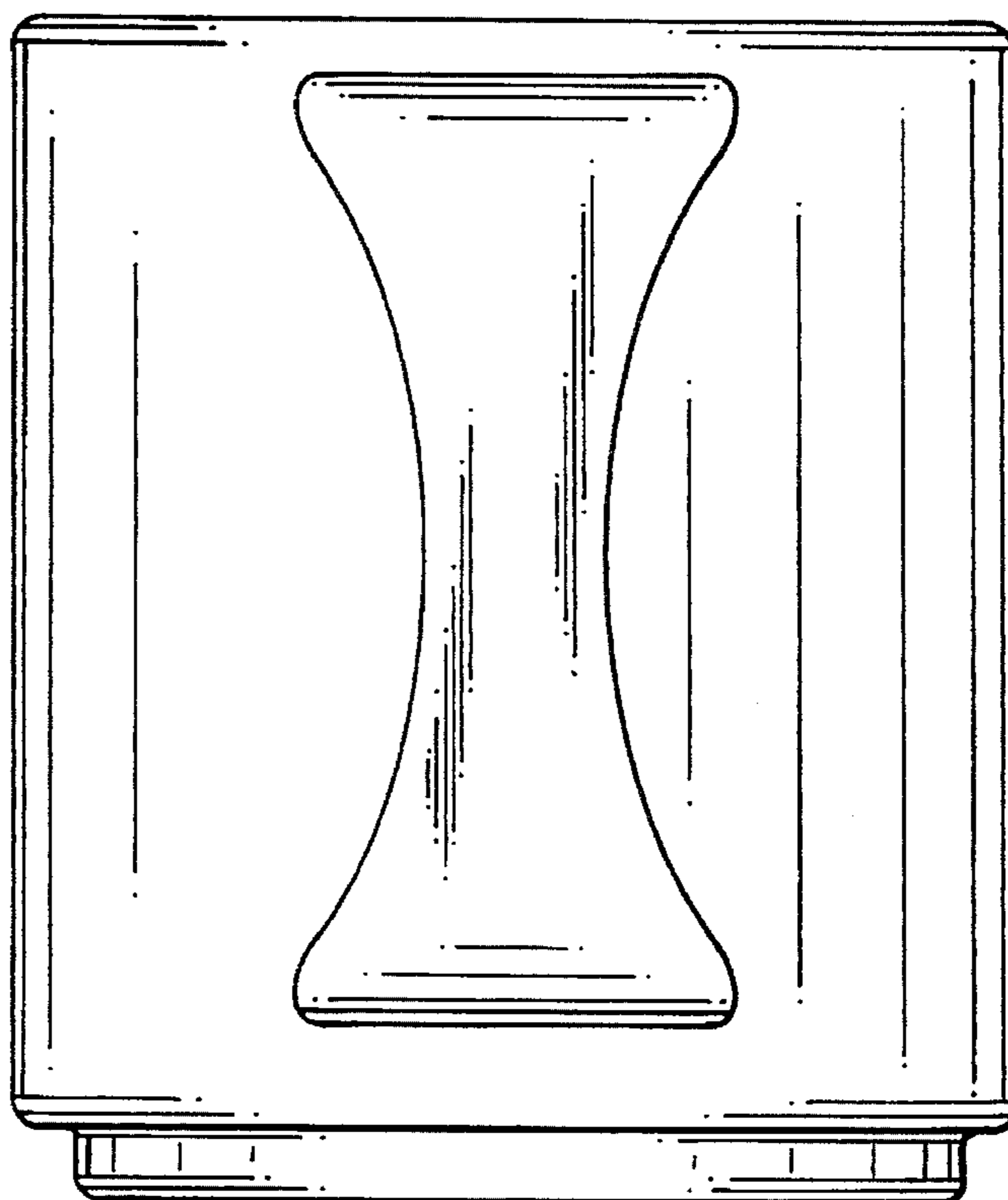


FIG. 7

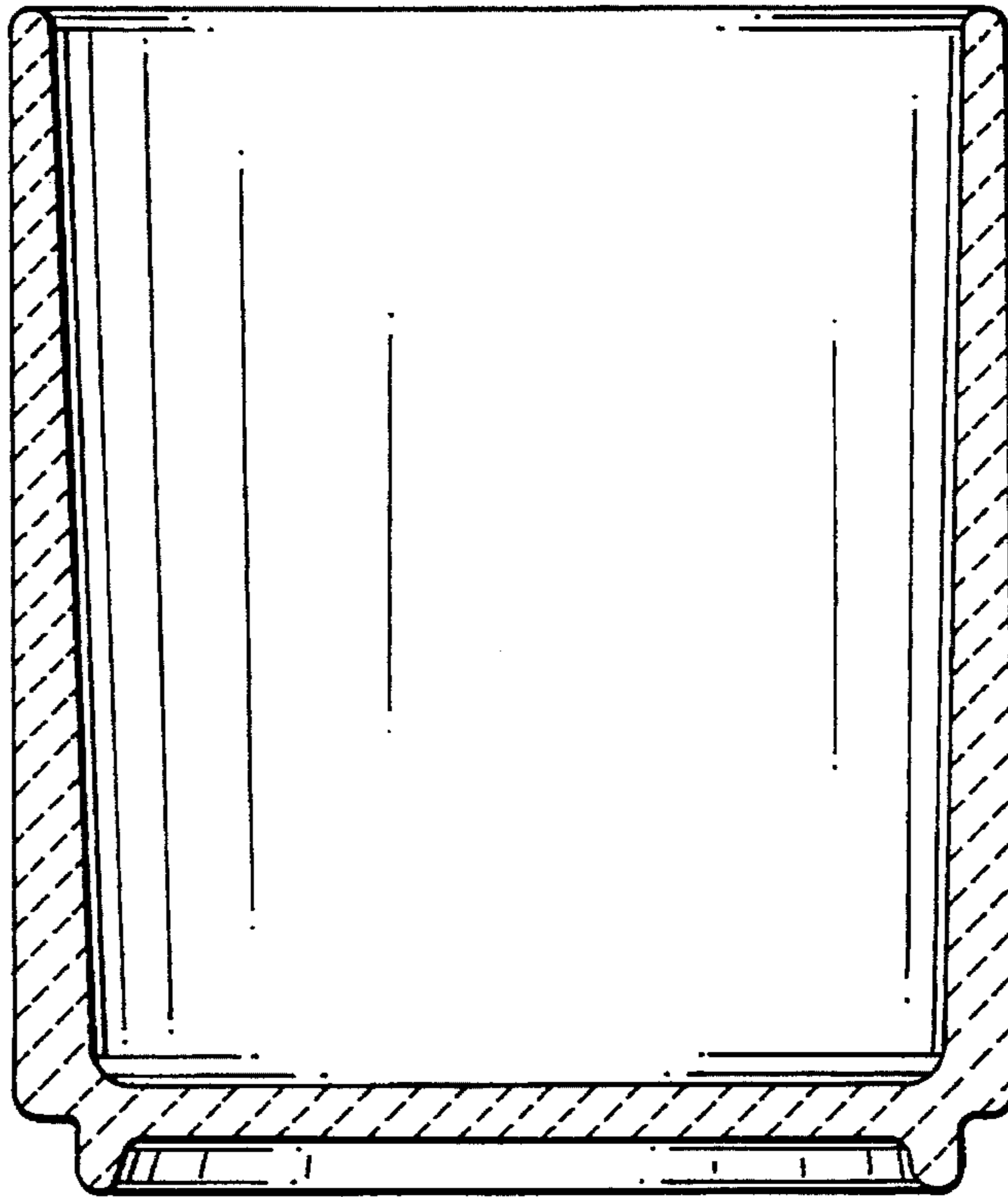


FIG. 8

