



US00D363000S

United States Patent [19]

[11] **Patent Number:** **Des. 363,000**

Buff, IV

[45] **Date of Patent:** ****Oct. 10, 1995**

[54] **FOWL STAND UP RACK**

5,069,117	12/1991	Schlessel	99/419
5,081,916	1/1992	Kühling et al.	99/419
5,106,642	4/1992	Ciofalo	426/509

[75] Inventor: **George J. Buff, IV**, Cherry Hill, N.J.

[73] Assignee: **Penny Plate, Inc.**, Cherry Hill, N.J.

[**] Term: **14 Years**

Primary Examiner—Alan P. Douglas
Assistant Examiner—Caron D. Veynar
Attorney, Agent, or Firm—Panitch Schwarze Jacobs & Nadel

[21] Appl. No.: **10,389**

[57] CLAIM

[22] Filed: **Jul. 6, 1993**

The ornamental design for a fowl stand up rack, as shown and described.

[52] U.S. Cl. **D7/409**; D7/323; D7/387

[58] Field of Search D7/409, 323, 387;
99/425, 426, 446, 419, 448; 211/181

DESCRIPTION

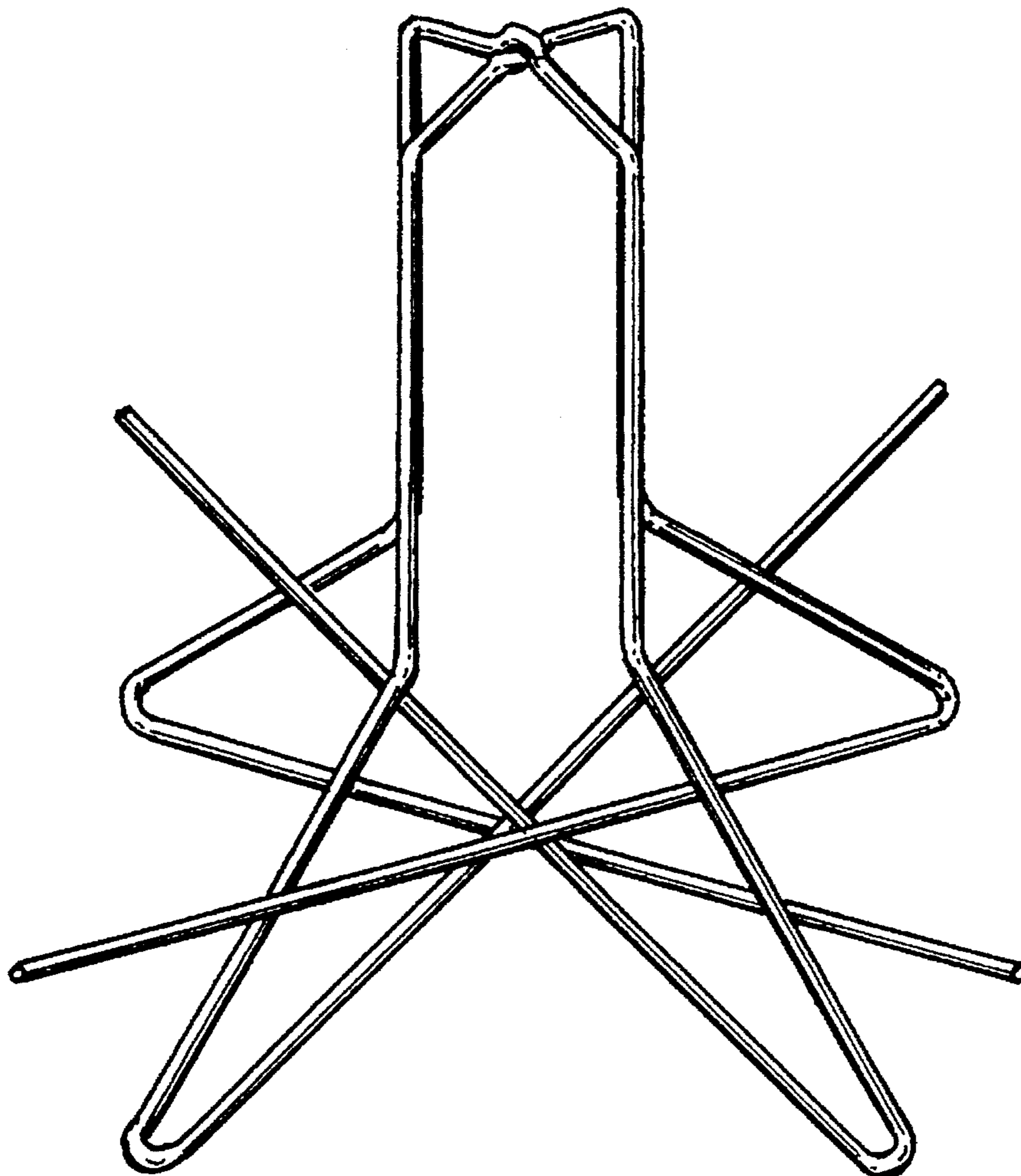
[56] References Cited

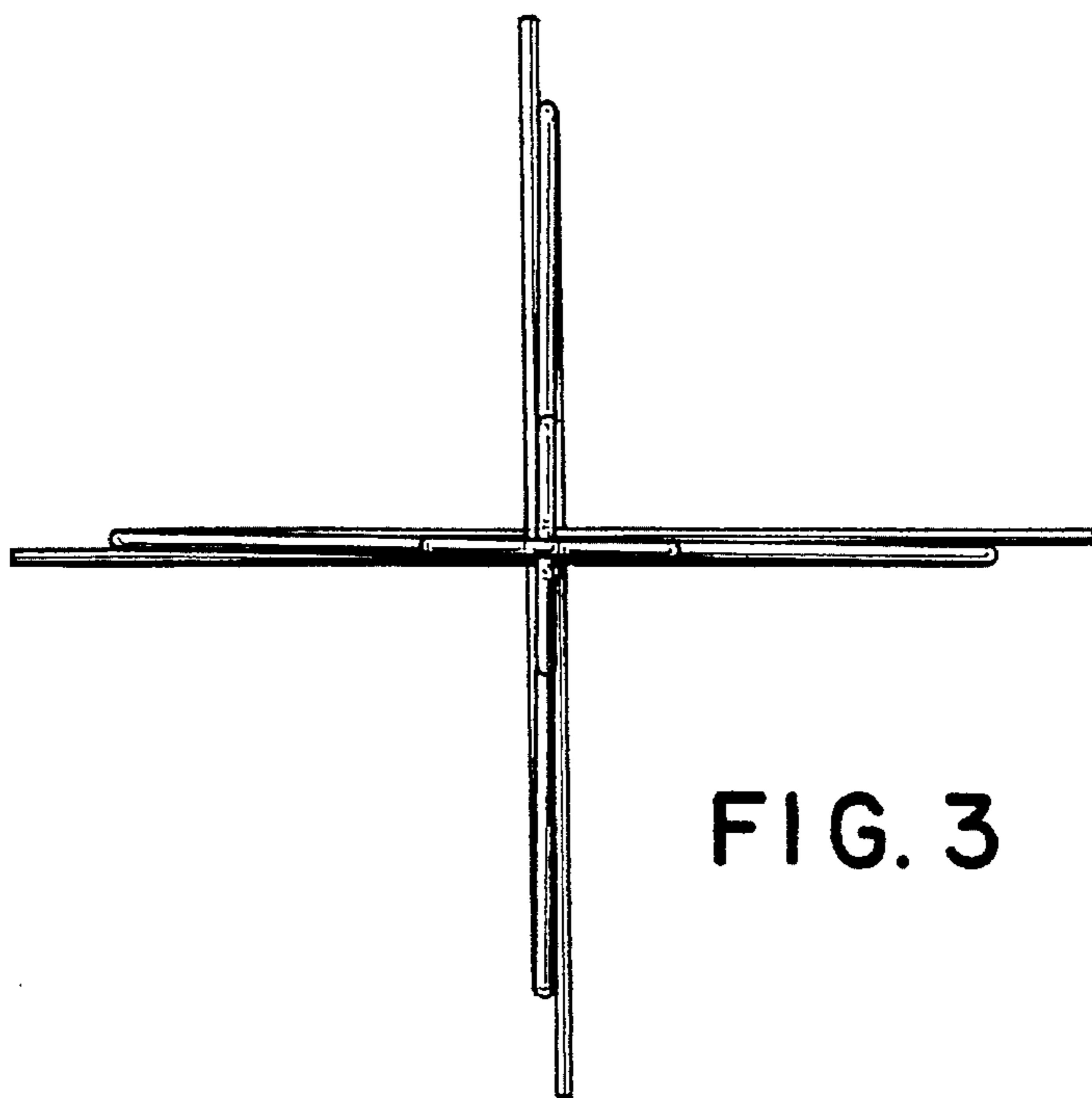
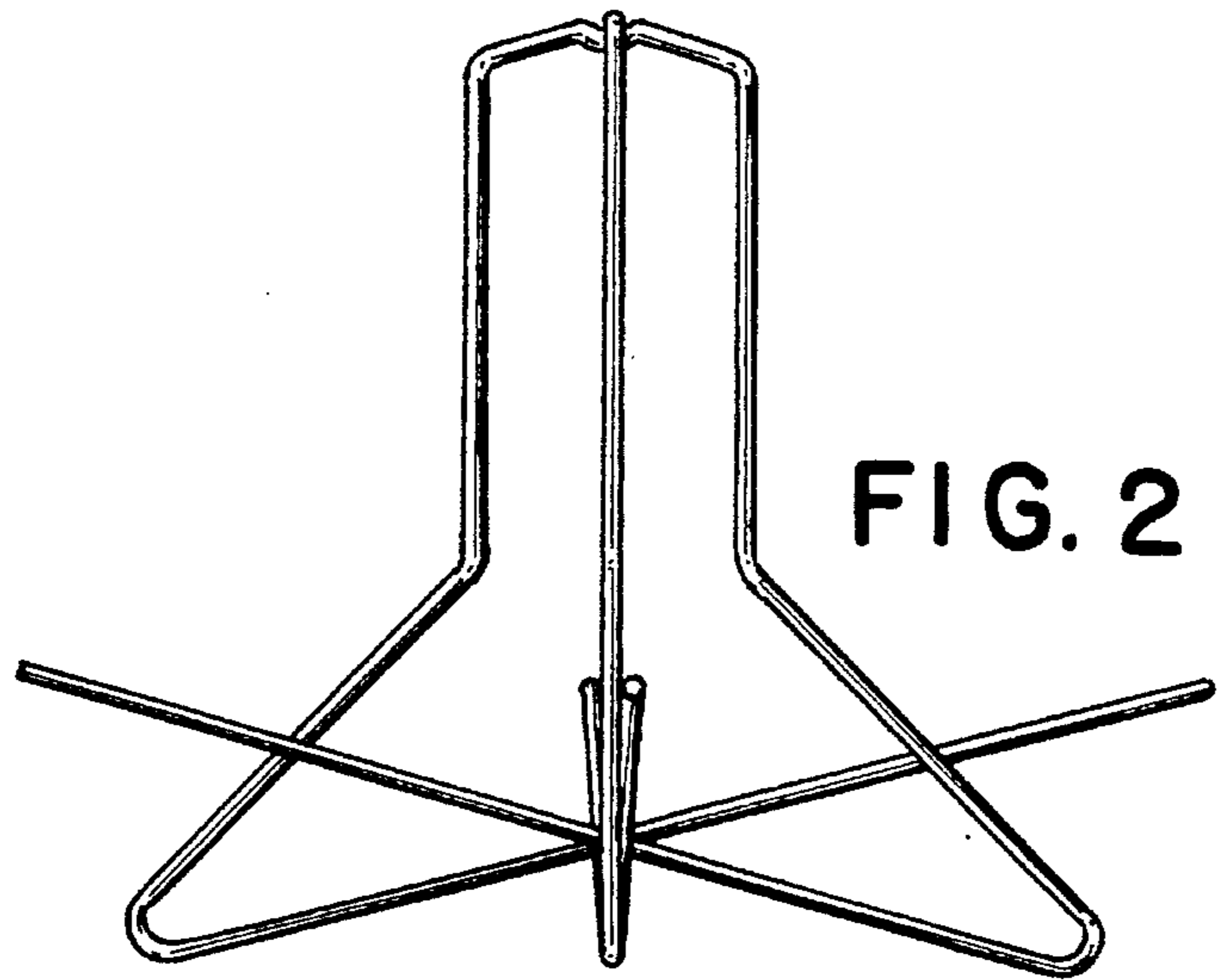
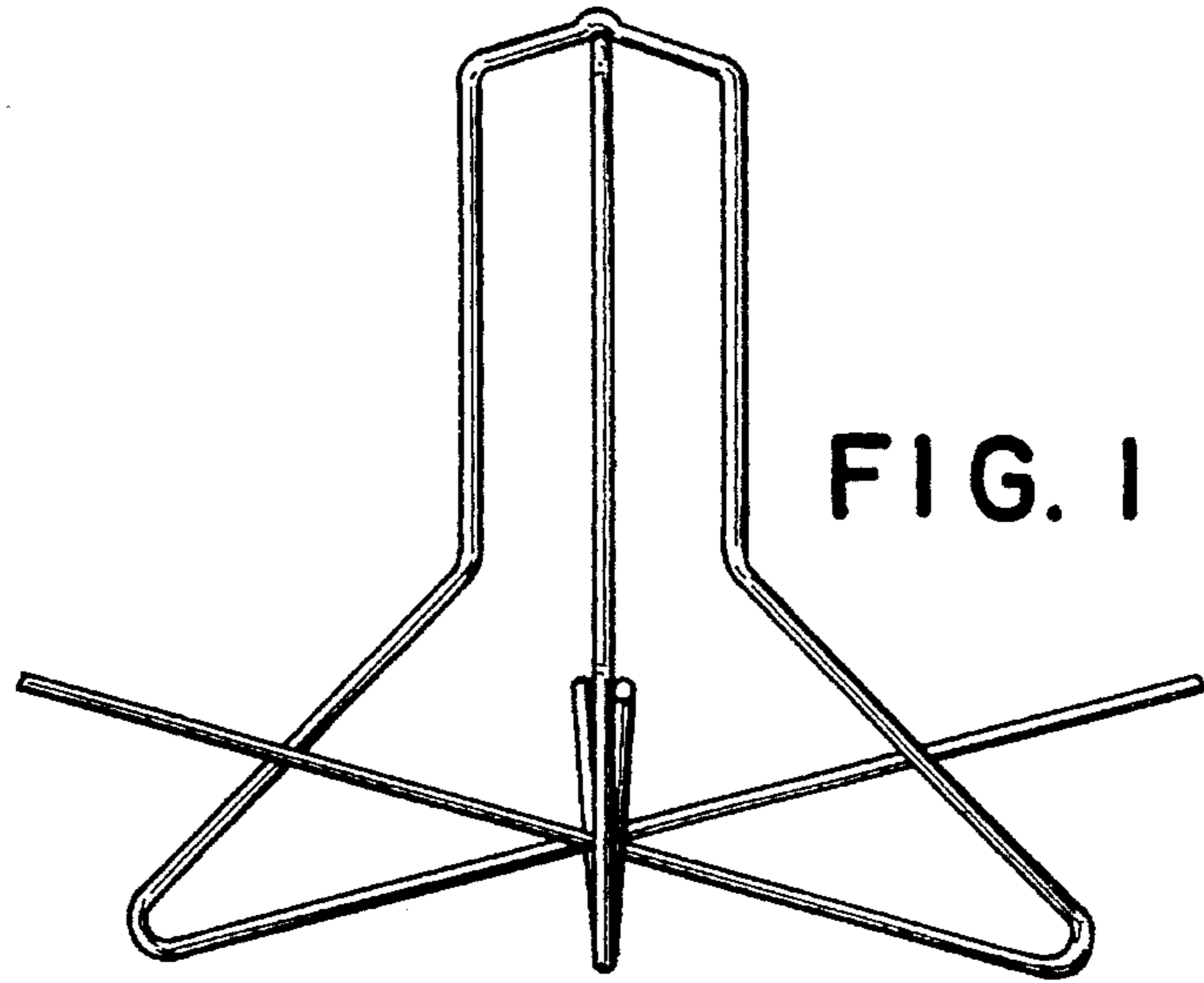
U.S. PATENT DOCUMENTS

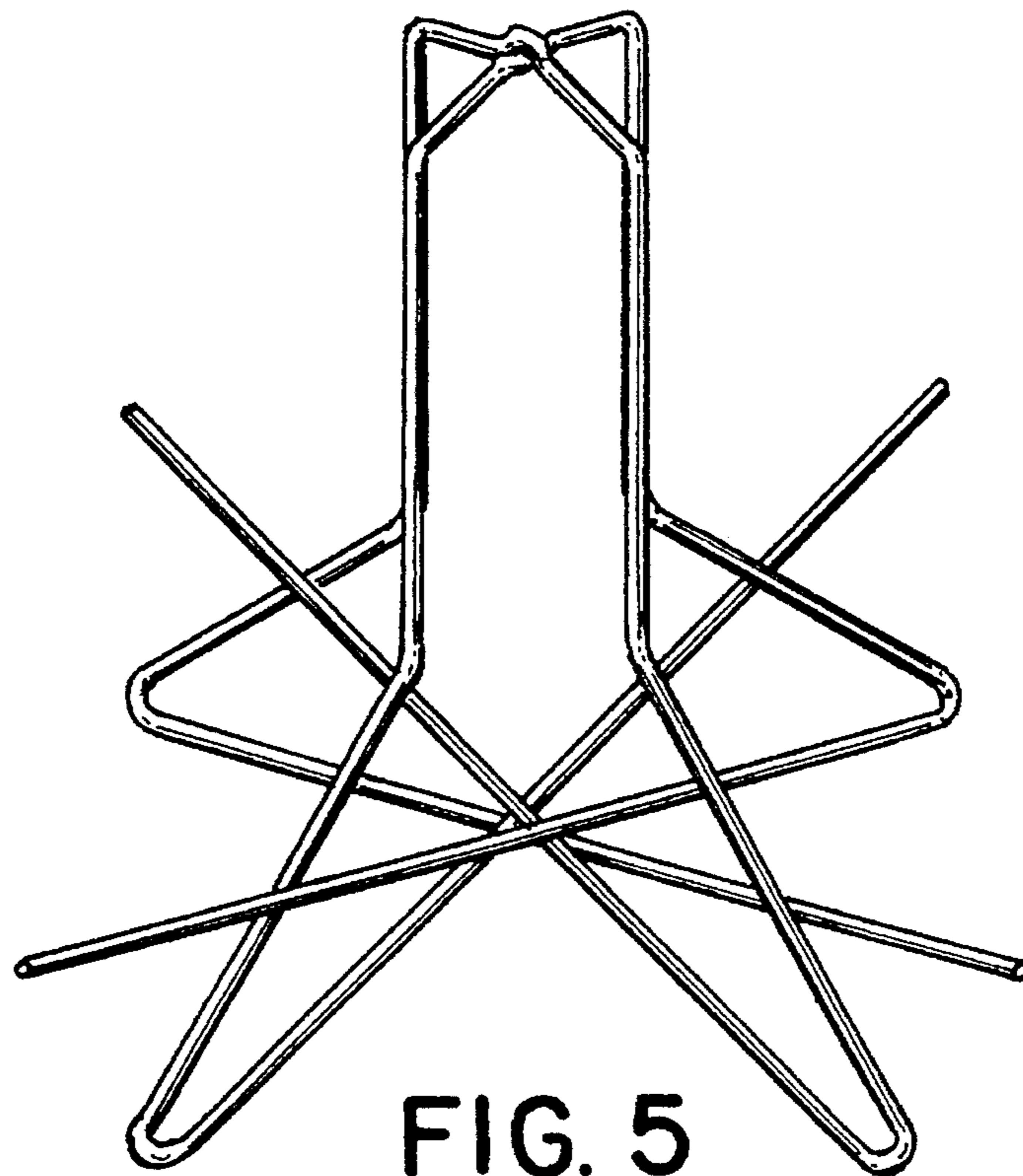
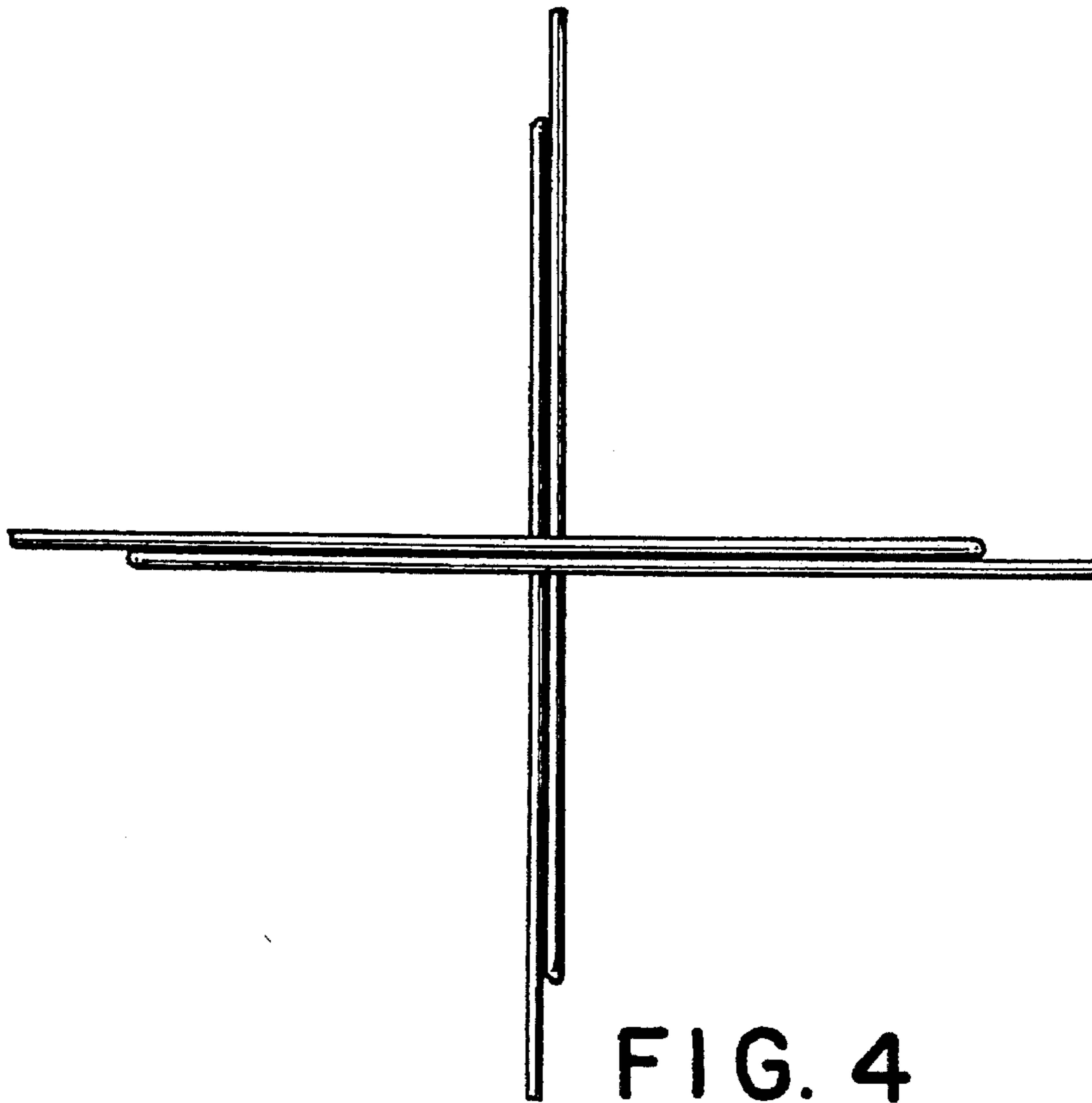
D. 253,156	10/1979	Bengloff	D7/409
D. 261,941	11/1981	Lubin	D7/409 X
D. 270,608	9/1983	Spanek et al.	D7/409
D. 286,498	11/1986	Rosenkrantz	D7/409
3,986,445	10/1976	Hooton	99/426
4,027,583	6/1977	Spanek et al.	99/421 H
4,557,188	12/1985	Spanek	99/415
4,633,773	1/1987	Jay	99/426
4,709,626	12/1987	Hamlyn	99/426

FIG. 1 is a front elevational view of a fowl stand up rack showing my new design, the rear elevational view being a mirror image thereof;
FIG. 2 is a right side elevational view, the left side elevational view being a mirror image thereof;
FIG. 3 is a top plan view thereof;
FIG. 4 is a bottom plan view thereof;
FIG. 5 is a perspective view thereof; and,
FIG. 6 is an exploded perspective view thereof.

1 Claim, 3 Drawing Sheets







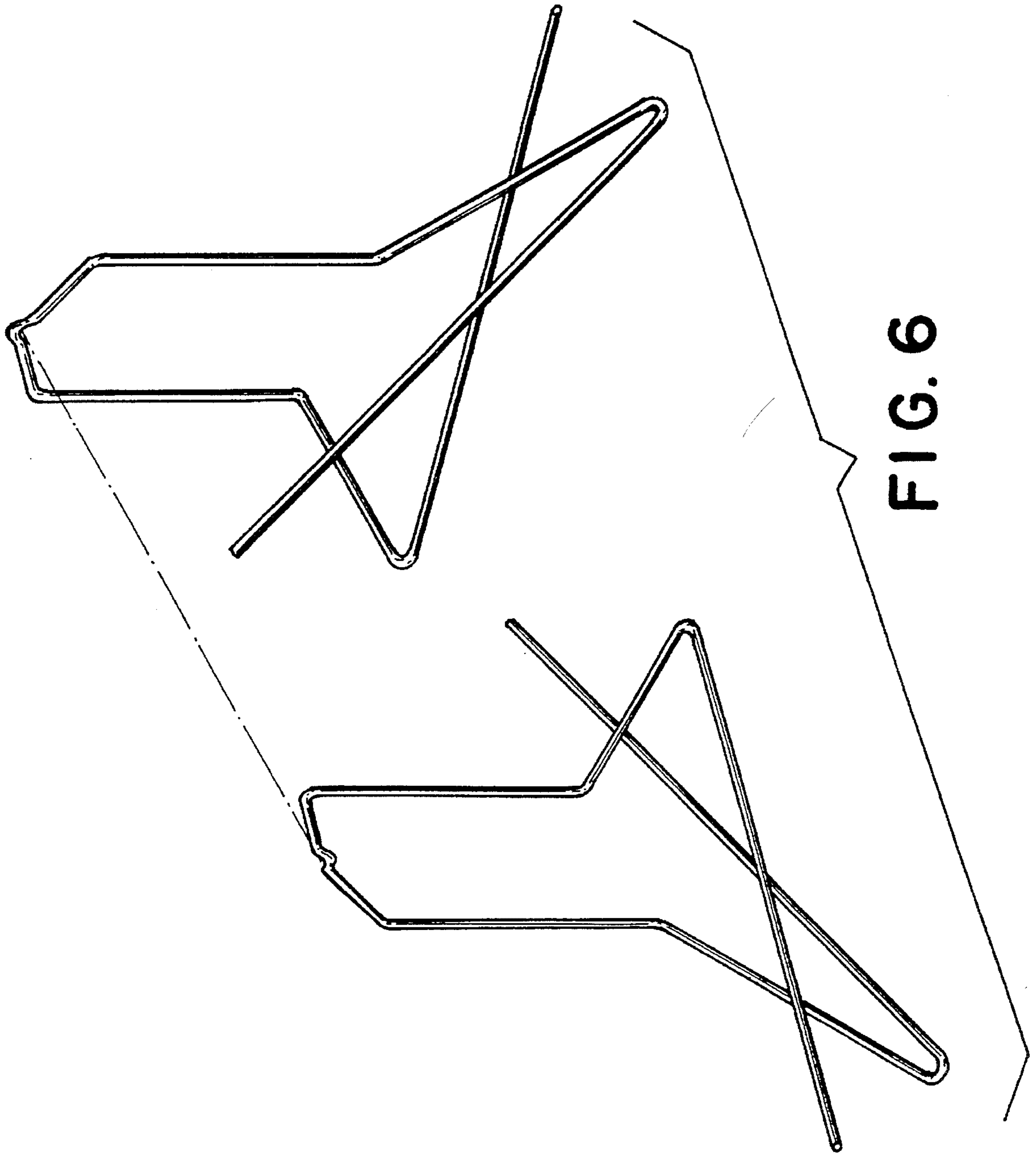


FIG. 6