



US00D362998S

United States Patent [19]

[11] Patent Number: **Des. 362,998**

Müller et al.

[45] Date of Patent: ****Oct. 10, 1995**

[54] **EMULSIFYER NOZZLE FOR ESPRESSO-COFFEEMAKERS**

[75] Inventors: **Roland Müller**, Dreieich; **Ludwig Littmann**, Schwalbach, both of Germany

4,852,474 8/1989 Malich et al. D7/398 X
 4,945,824 8/1990 Borgmann 99/293
 4,949,631 8/1990 Fregnan 99/452
 5,154,112 10/1992 Wehern 99/323.1
 5,233,915 8/1993 Siccardi 99/323.1 X
 5,330,266 7/1994 Stubaus 99/293 X
 5,339,725 8/1994 DeLonghi 99/293

[73] Assignee: **Braun Aktiengesellschaft**, Kronberg, Germany

FOREIGN PATENT DOCUMENTS

[**] Term: **14 Years**

3538041A1 10/1985 Germany .

[21] Appl. No.: **15,111**

Primary Examiner—Alan P. Douglas
Assistant Examiner—M. N. Pandozzi
Attorney, Agent, or Firm—Fish & Richardson

[22] Filed: **Nov. 8, 1993**

[57] CLAIM

[30] Foreign Application Priority Data

The ornamental design for an emulsifyer nozzle for espresso-coffeemakers, as shown and described.

May 17, 1993 [XH] Hague Agreement DMA/002154

[52] U.S. Cl. **D7/398**; D7/397

DESCRIPTION

[58] Field of Search D7/300, 397, 309, D7/398, 310, 387, 311, 213; 99/280, 282, 281, 2931452, 323.1, 453

FIG. 1 is a perspective front elevational view of an emulsifyer nozzle for espresso-coffeemakers showing our new design;

[56] References Cited

U.S. PATENT DOCUMENTS

D. 310,152 8/1990 Malich et al. D7/398
 D. 316,356 4/1991 Borgman D7/398
 D. 351,529 10/1994 Scott, Jr. D7/398
 4,735,133 4/1988 Paoletti 99/323.1 X

FIG. 2 is a front view thereof;

FIG. 3 is a side view thereof;

FIG. 4 is a top plan view thereof; and,

FIG. 5 is a bottom plan view thereof.

1 Claim, 2 Drawing Sheets

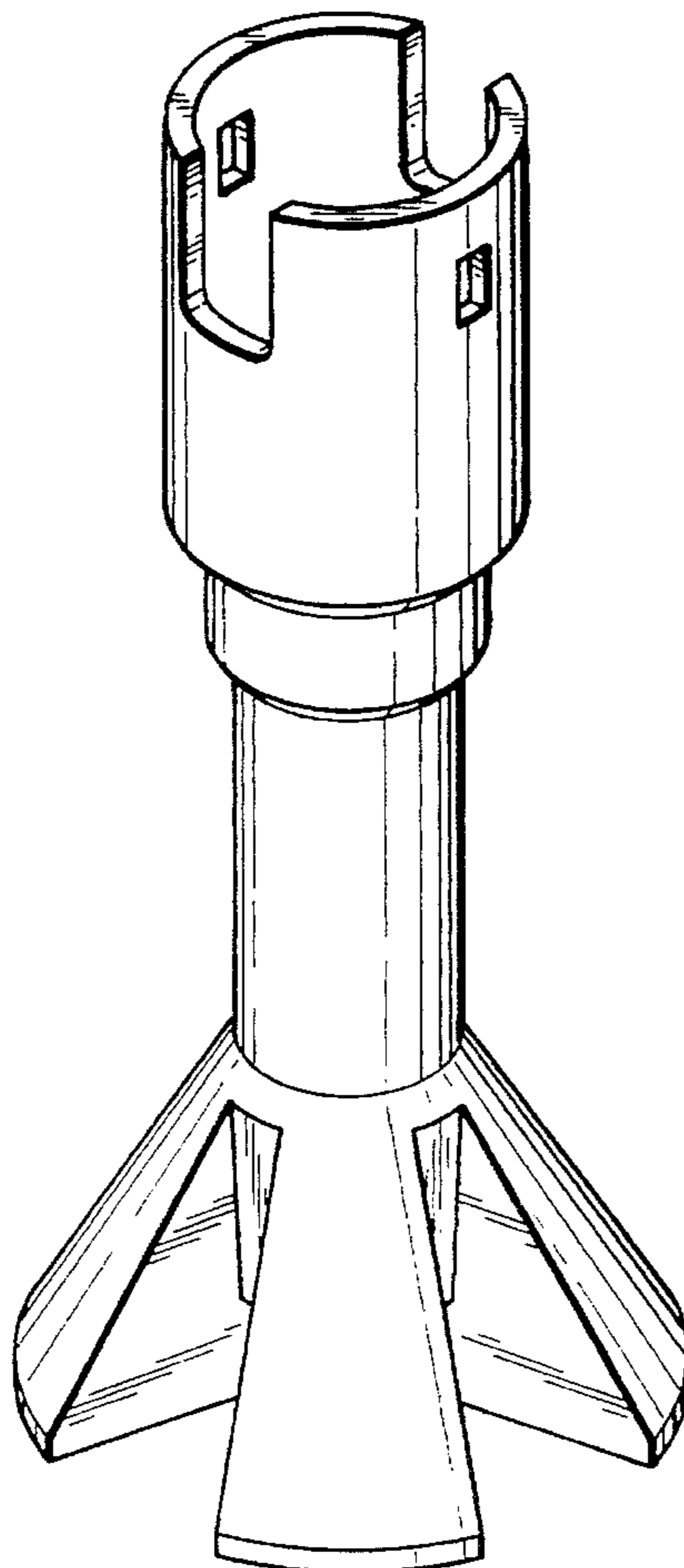


Fig. 1

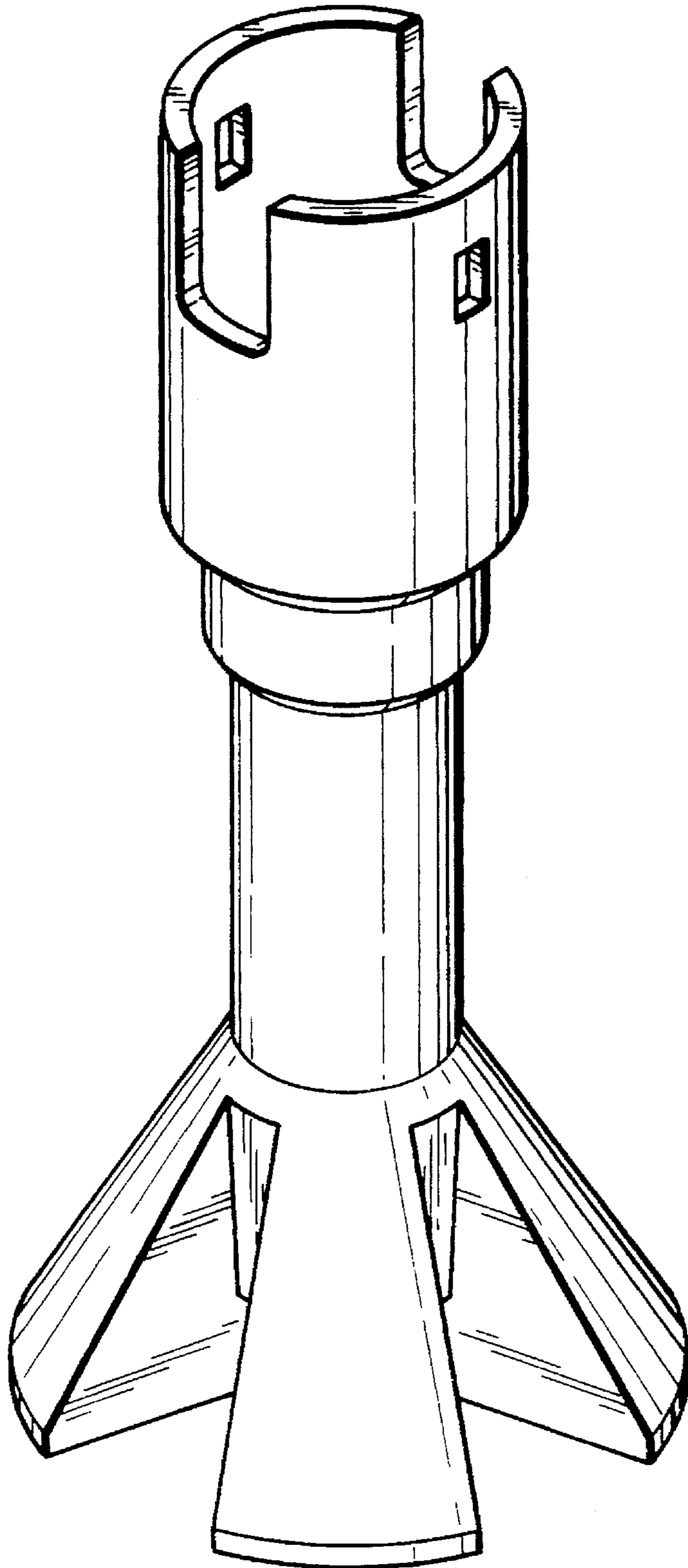


Fig. 2

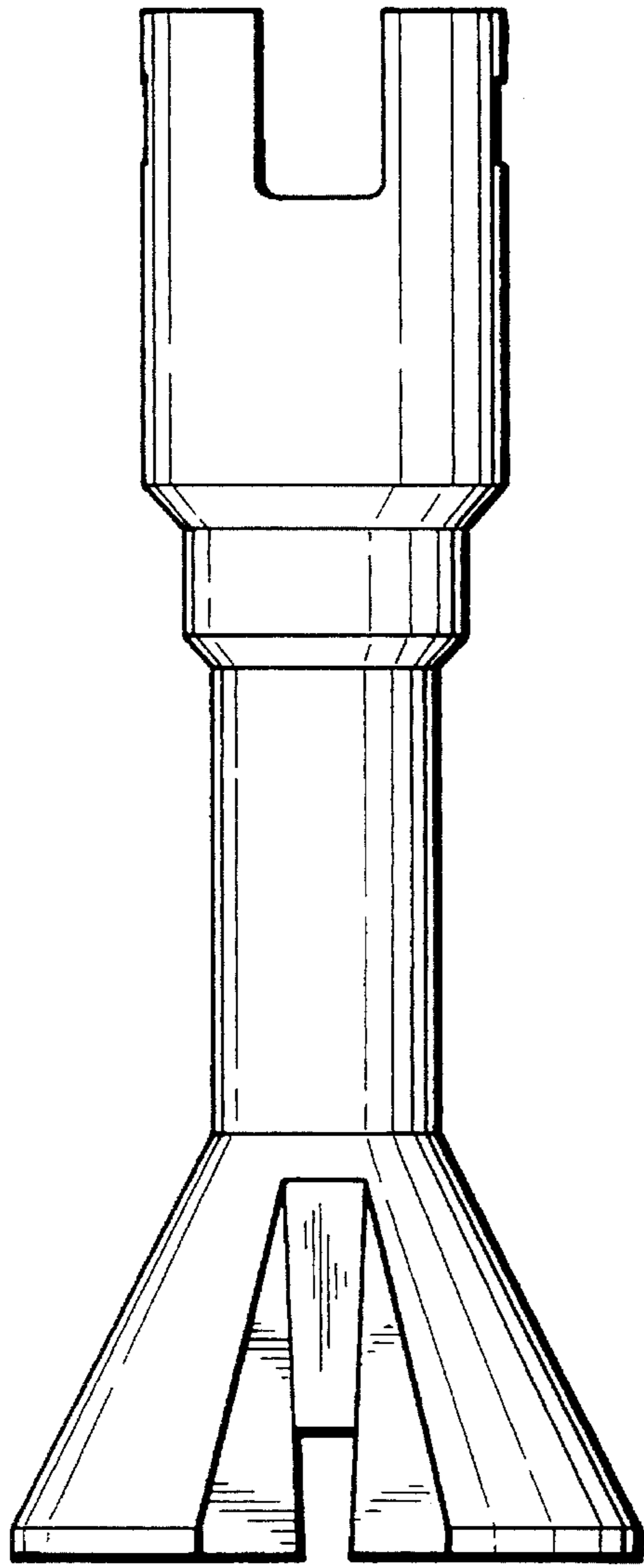


Fig. 3

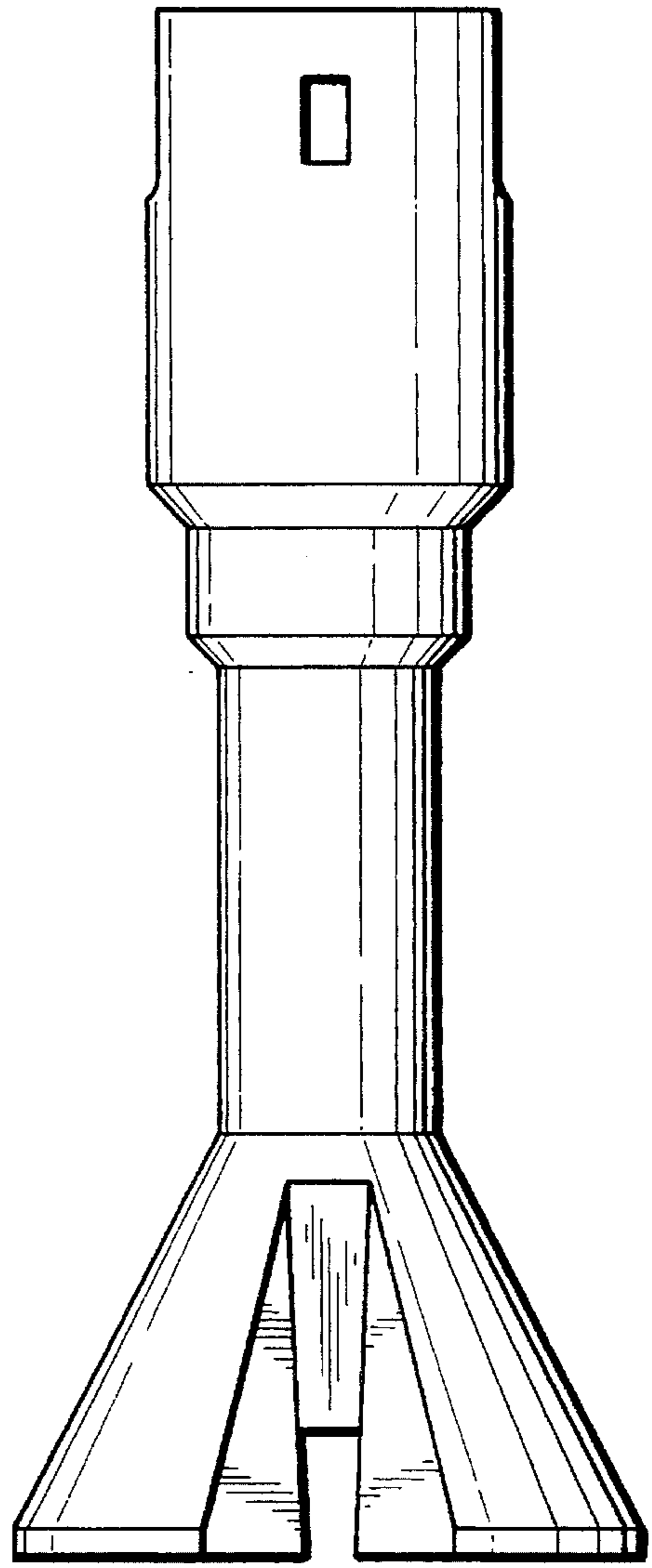


Fig. 5

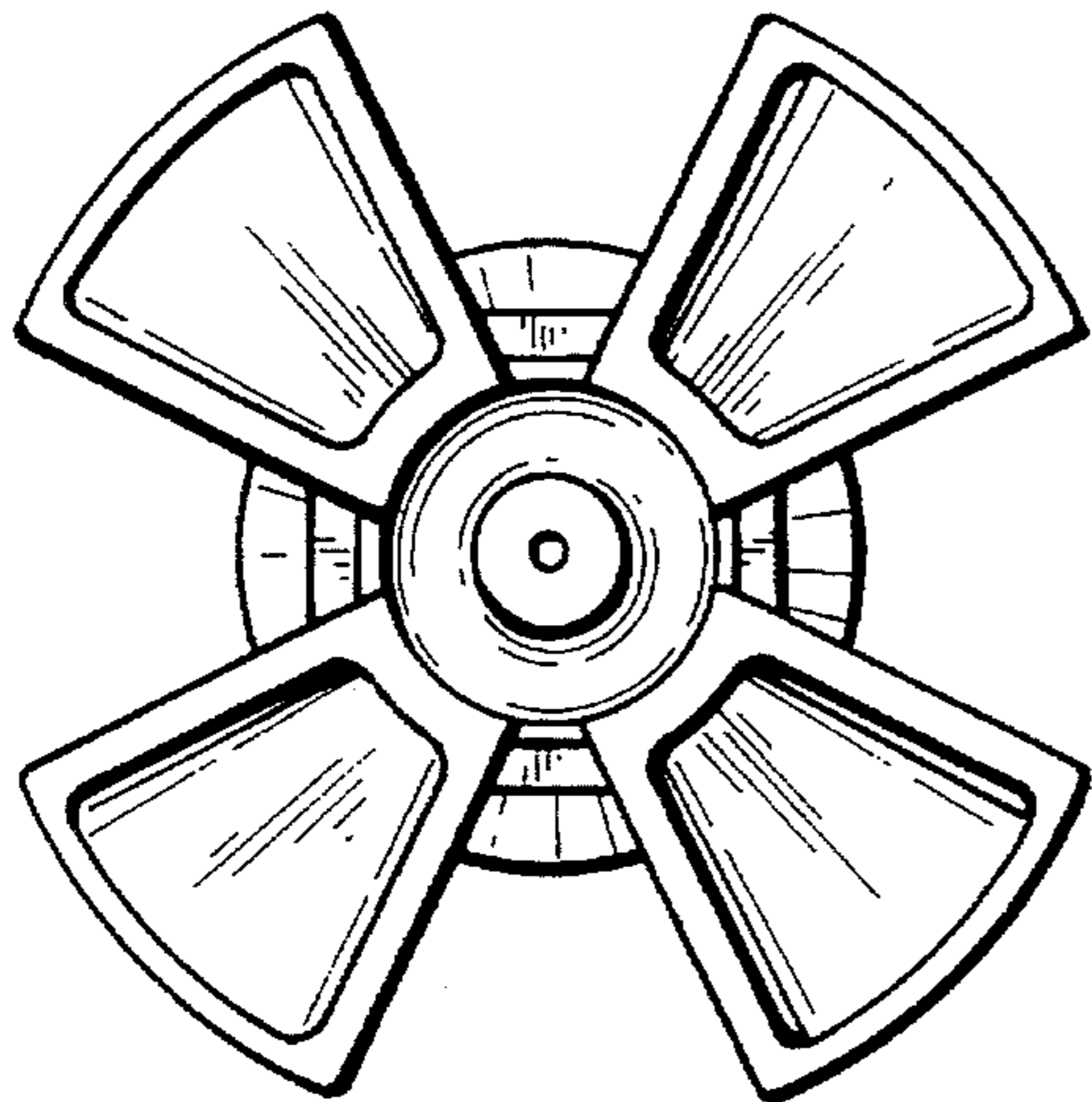


Fig. 4

