



US00D362997S

United States Patent [19]
Kong

[11] **Patent Number: Des. 362,997**

[45] **Date of Patent: **Oct. 10, 1995**

- [54] **GOBLET STEM**
- [75] Inventor: **Yick M. Kong**, Tsuen Wan, Hong Kong
- [73] Assignee: **Magician Industrial Company, Ltd.**,
Hong Kong
- [**] Term: **14 Years**
- [21] Appl. No.: **18,669**
- [22] Filed: **Feb. 14, 1994**
- [52] U.S. Cl. **D7/396.6; D7/396.2**
- [58] **Field of Search** D7/516, 515, 510,
D7/511, 507, 533, 536, 519, 520, 518,
523, 507, 506, 509, 514, 524, 396.6, 396.2,
396.4, 396.1, 387, 396.5, 313; D9/307,
310, 311, 312, 318; D11/128, 129; D21/129,
162, 163, 159; D26/9, 16, 18, 19, 22, 17;
215/99.5

- 600,427 3/1898 Jones, Jr. 215/99.5
- D. 729,186 6/1927 Venon D7/516
- 2,532,729 12/1950 Millstein D21/179 X
- 4,681,236 7/1987 Ilk D7/509 X

OTHER PUBLICATIONS

Libbey Crystal Creatures (Snowman Tumbler) Food Service
Equipment Specialist Dec. 1981 p. 30.
Snowman Soap Dispenser (B2102) p. 5 of Harriet Carter
Catalog.

Primary Examiner—Alan P. Douglas
Assistant Examiner—M. N. Pandozzi
Attorney, Agent, or Firm—Majestic, Parsons, Siebert &
Hsue

CLAIM

The ornamental design of a goblet stem, as shown and
described.

DESCRIPTION

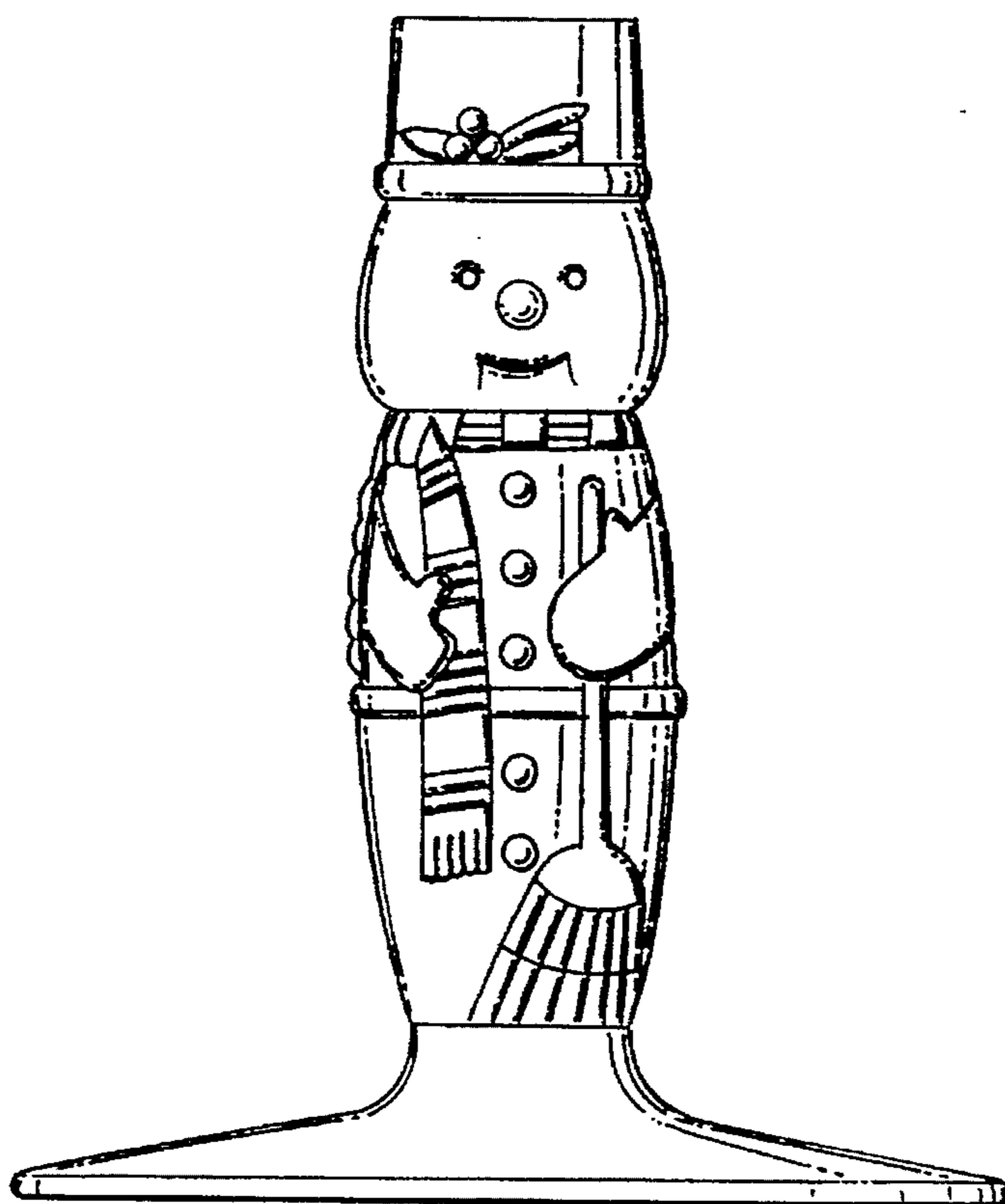
FIG. 1 is a top perspective view showing my new design.
The broken line showing the top portion of a goblet is for
illustrative purposes only and forms no part of the claimed
design;
FIG. 2 is a top view of my design;
FIG. 3 is a front elevational view thereof;
FIG. 4 is a rear elevational view thereof;
FIG. 5 is a left side elevational view thereof;
FIG. 6 is a right side elevational view thereof; and,
FIG. 7 is a bottom plan view thereof.

[56] **References Cited**

U.S. PATENT DOCUMENTS

- D. 60,480 2/1922 Unmack D26/18
- D. 184,032 12/1958 Unwin D11/128 X
- D. 186,553 11/1959 Rosenzweig D11/129 X
- D. 192,388 3/1962 Kolb D9/312
- D. 194,475 1/1963 Gottsegen D21/179 X
- D. 208,827 10/1967 Darr D21/179 X
- D. 230,335 2/1974 Achenbach D7/516
- D. 309,404 7/1990 Pierotti D9/311 X
- D. 314,340 2/1991 Waugh D9/311 X
- D. 351,340 10/1994 Drummond et al. D9/312 X

1 Claim, 2 Drawing Sheets



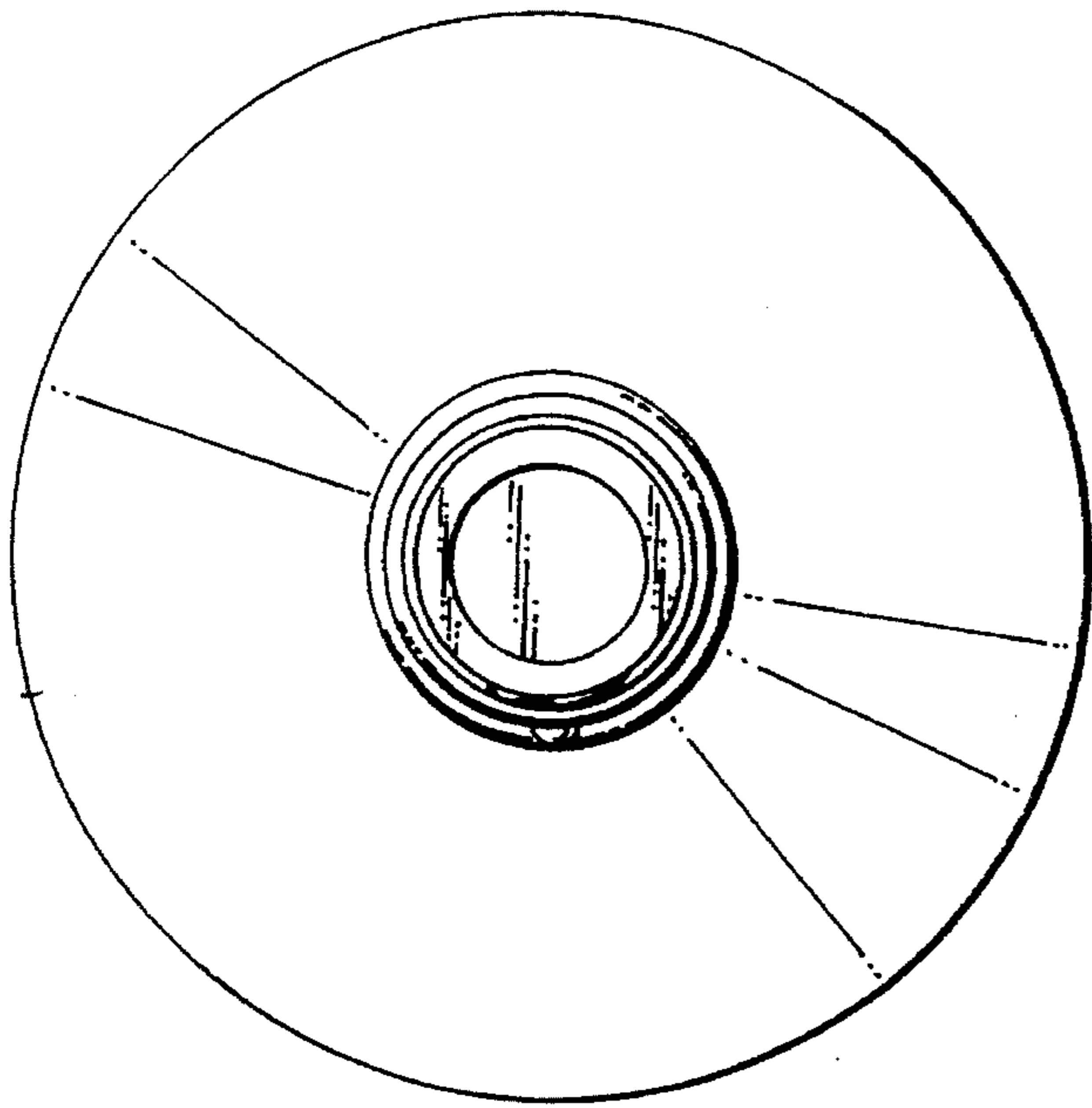


FIG. 2.

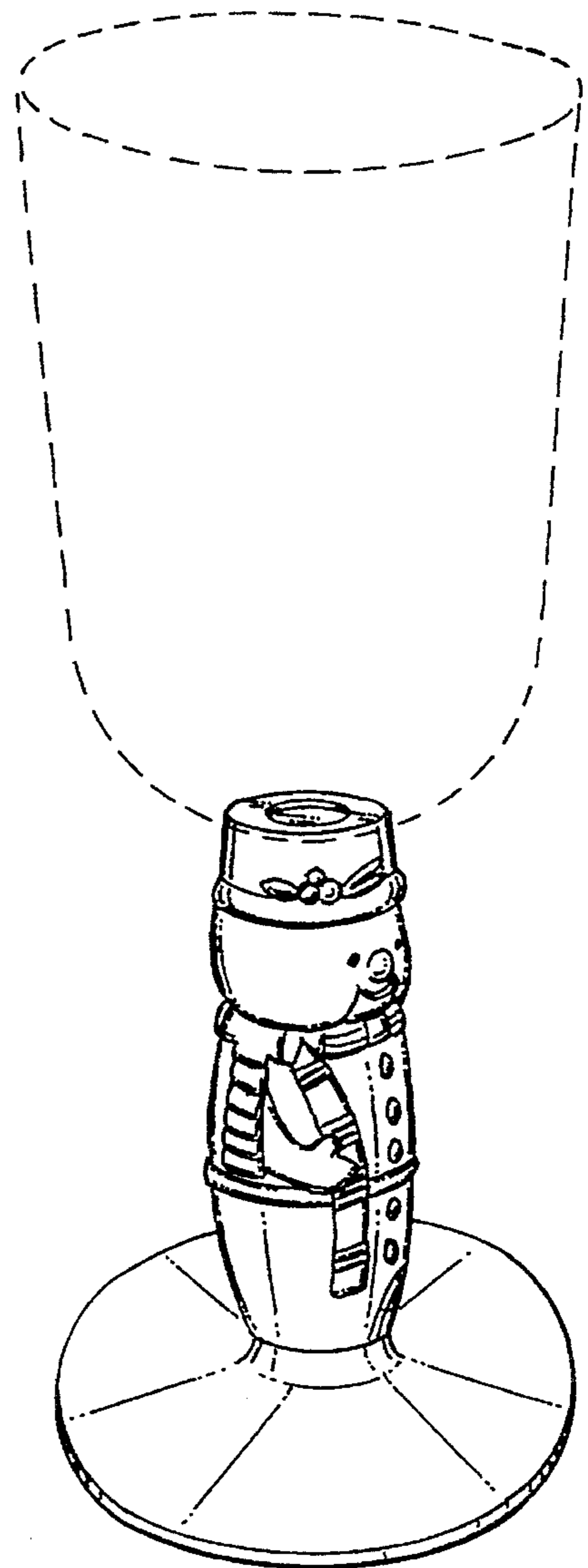


FIG. 1.

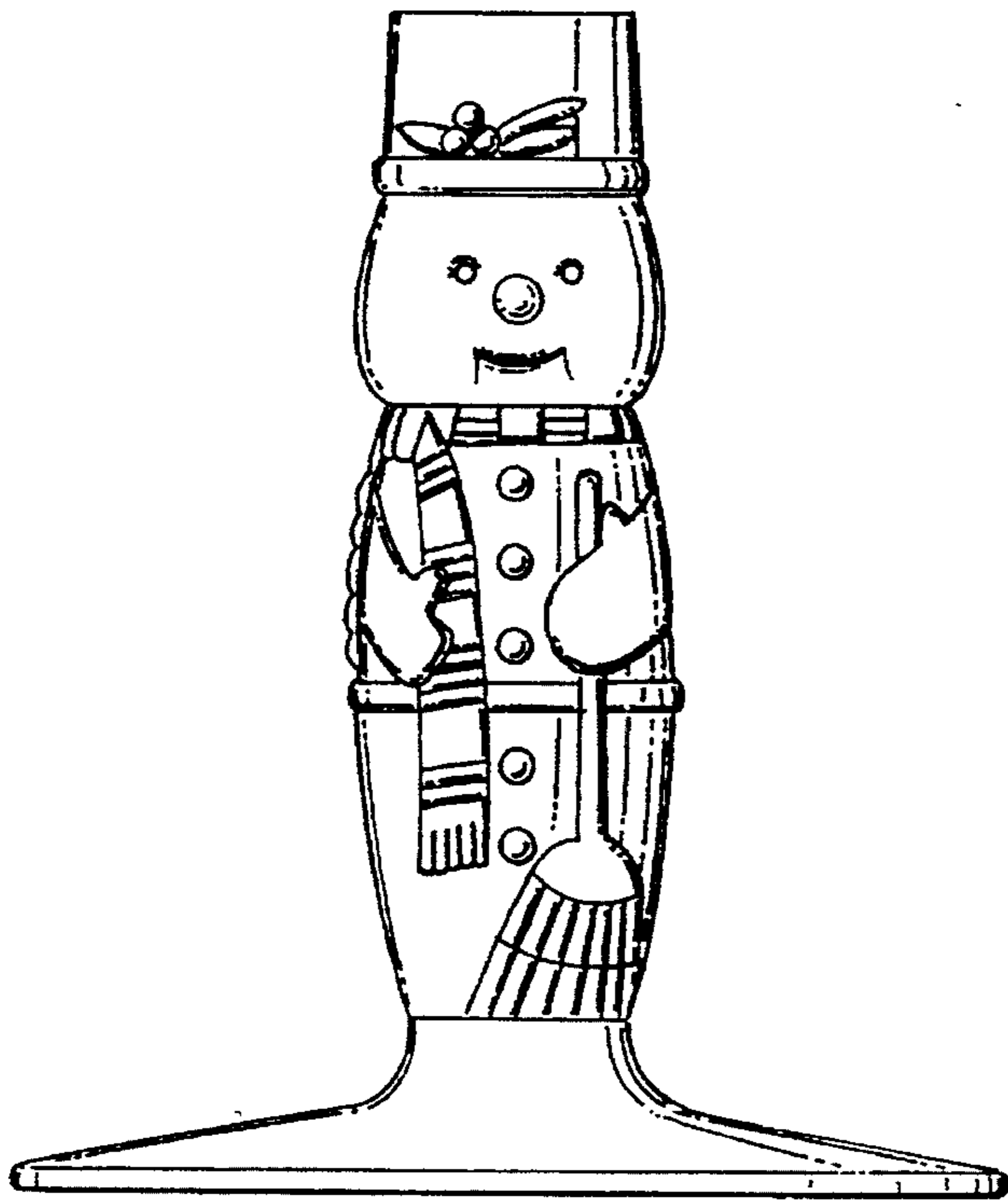


FIG. 3.

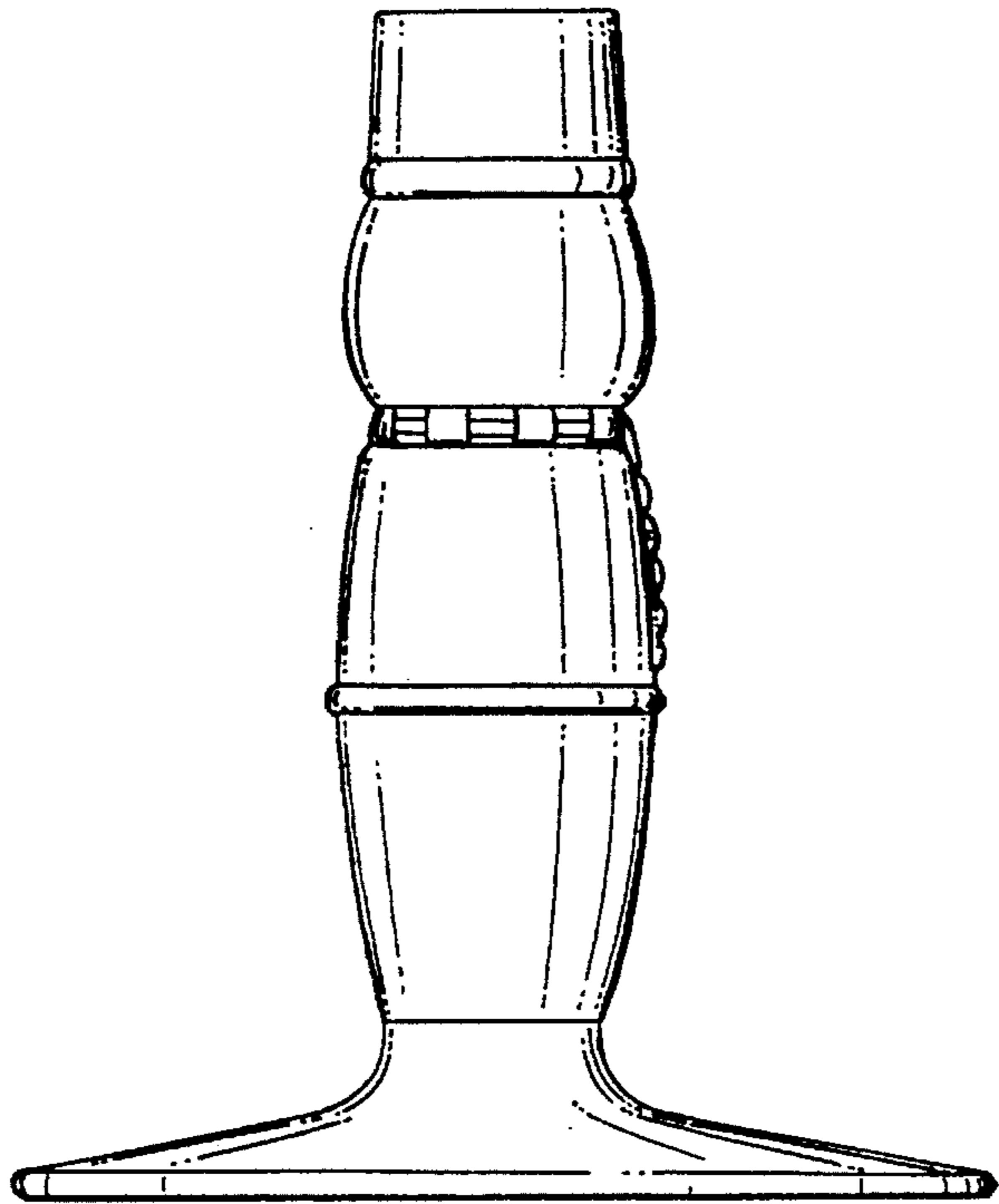


FIG. 4.

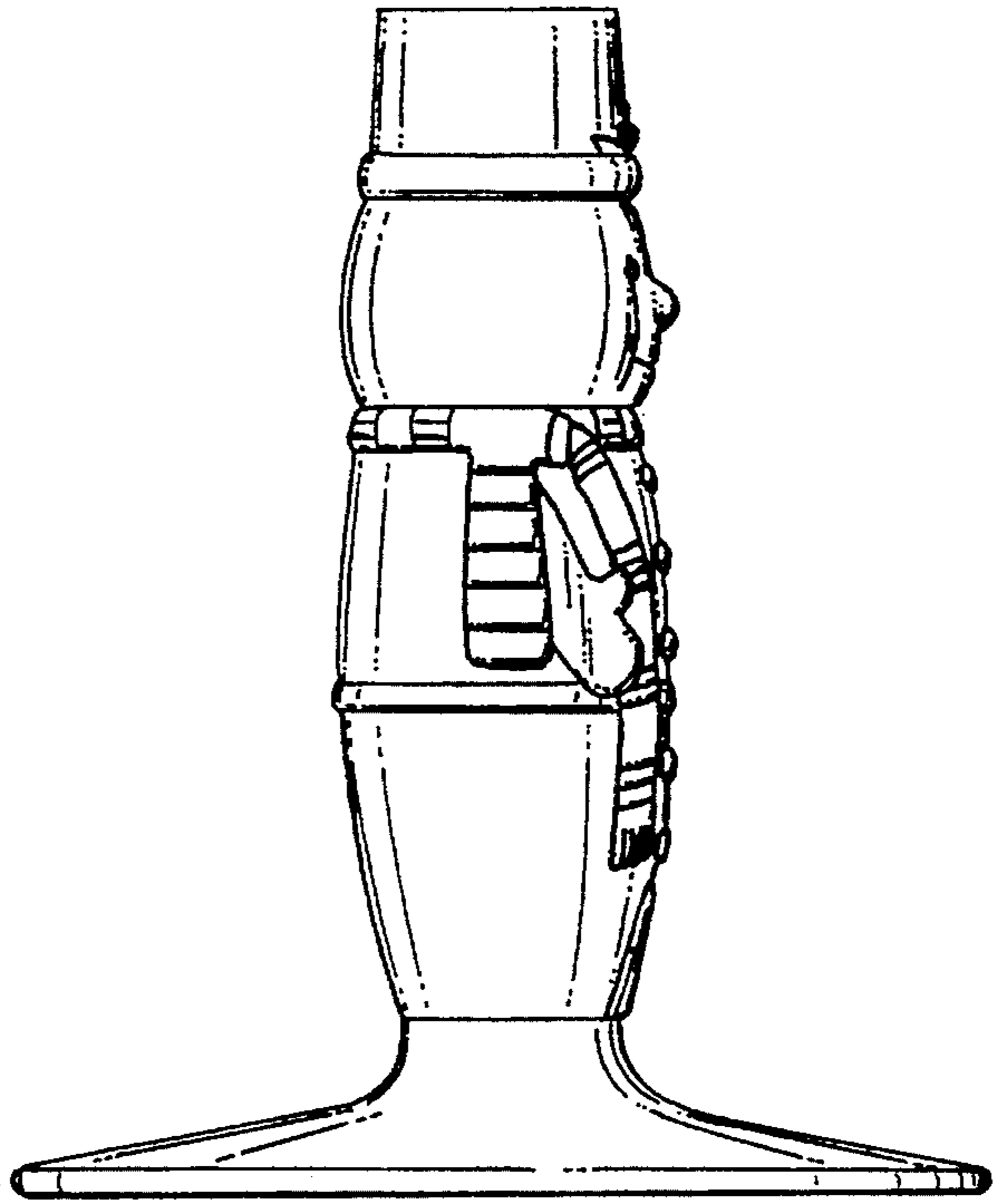


FIG. 5.

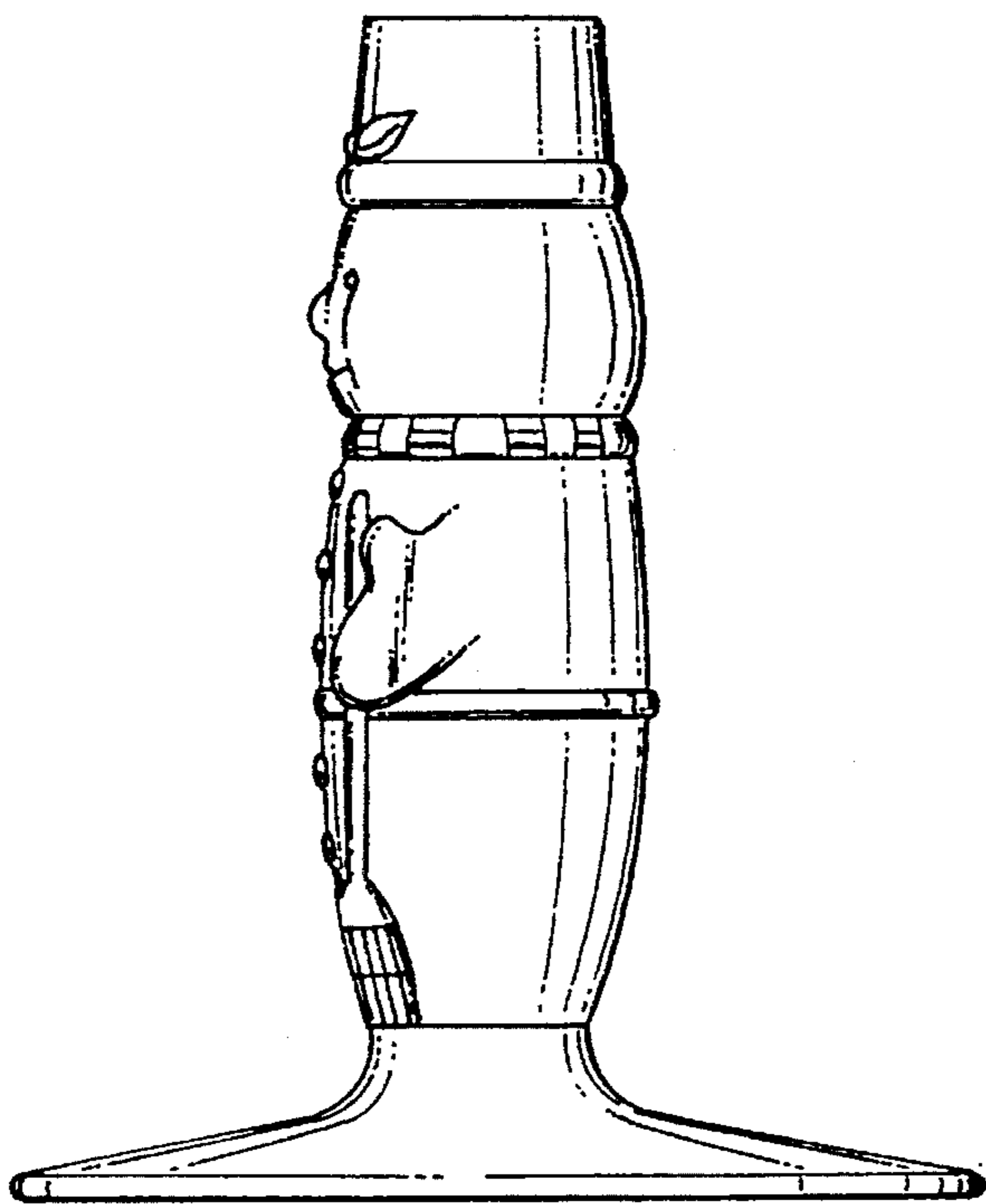


FIG. 6.

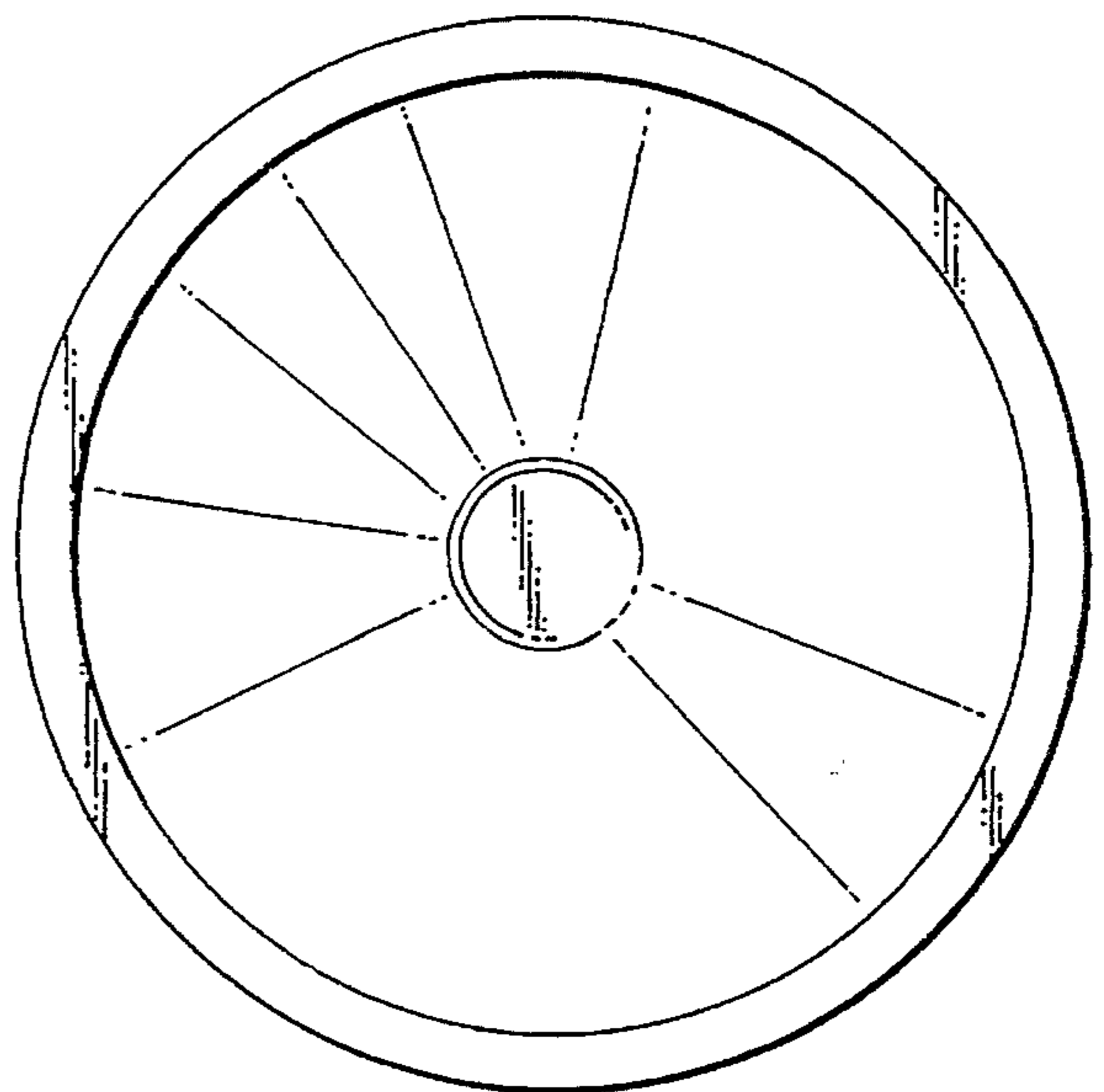


FIG. 7.