



US00D362995S

United States Patent [19]

[11] **Patent Number:** **Des. 362,995**

Marsico

[45] **Date of Patent:** ****Oct. 10, 1995**

[54] **PIE CRUST SHIELD**

3,728,957 4/1973 Polus 99/433

[76] Inventor: **Vincent Marsico**, 1806 N. Carnegie,
Niles, Ohio 44446

Primary Examiner—Terry A. Wallace
Attorney, Agent, or Firm—Harpman & Harpman

[**] Term: **14 Years**

[57] **CLAIM**

The ornamental design for a pie crust shield, as shown and described.

[21] Appl. No.: **27,358**

[22] Filed: **Aug. 19, 1994**

DESCRIPTION

[52] U.S. Cl. **D7/387**

[58] Field of Search D7/387, 610; 99/433,
99/DIG. 15, 447

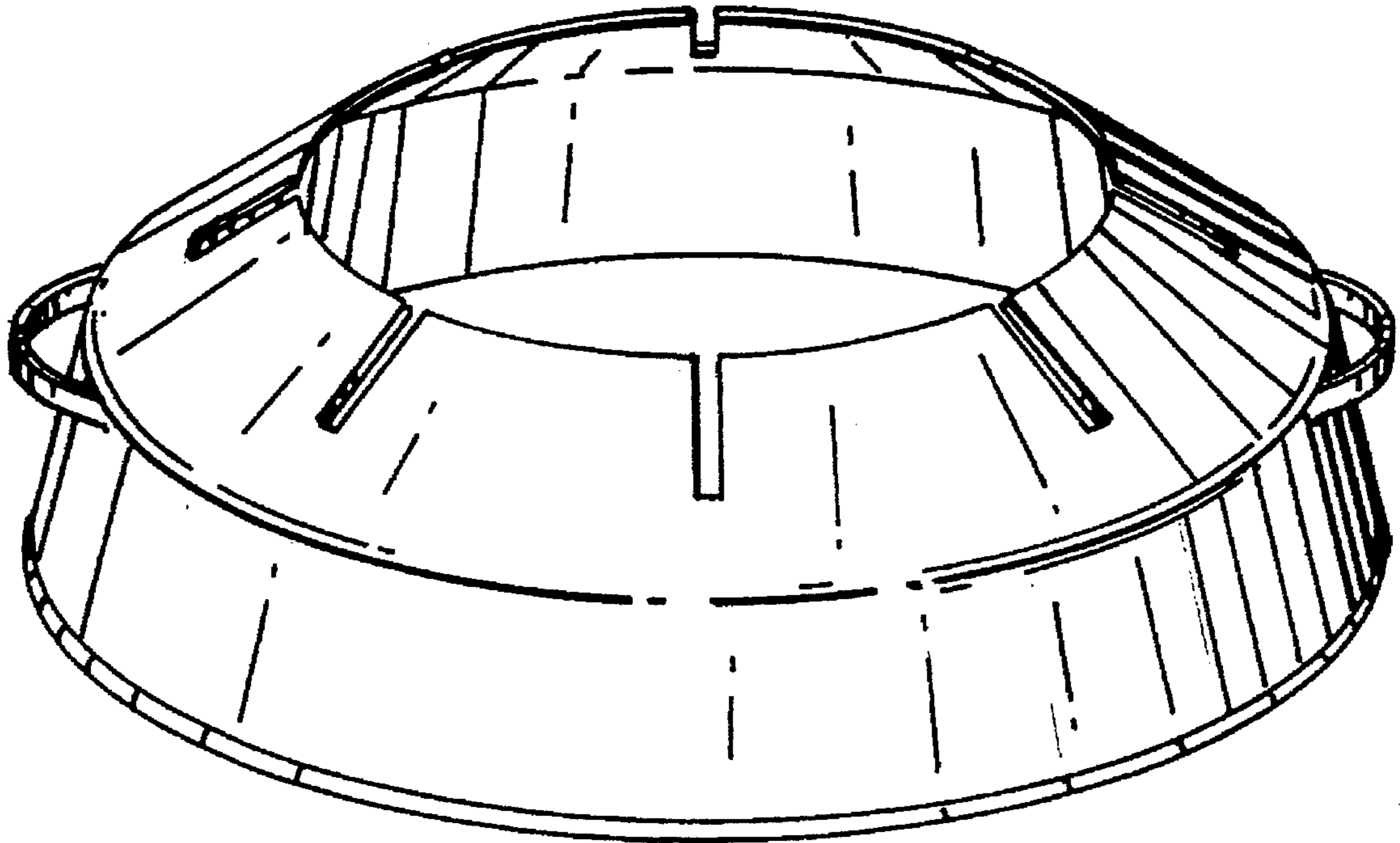
FIG. 1 is a front elevational view of the pie crust shield with the rear side being a mirror image;
FIG. 2 is a perspective view thereof;
FIG. 3 is a top plan view thereof; and,
FIG. 4 is a bottom plan view thereof.

[56] References Cited

U.S. PATENT DOCUMENTS

3,431,836 3/1969 Murrell 99/433

1 Claim, 1 Drawing Sheet



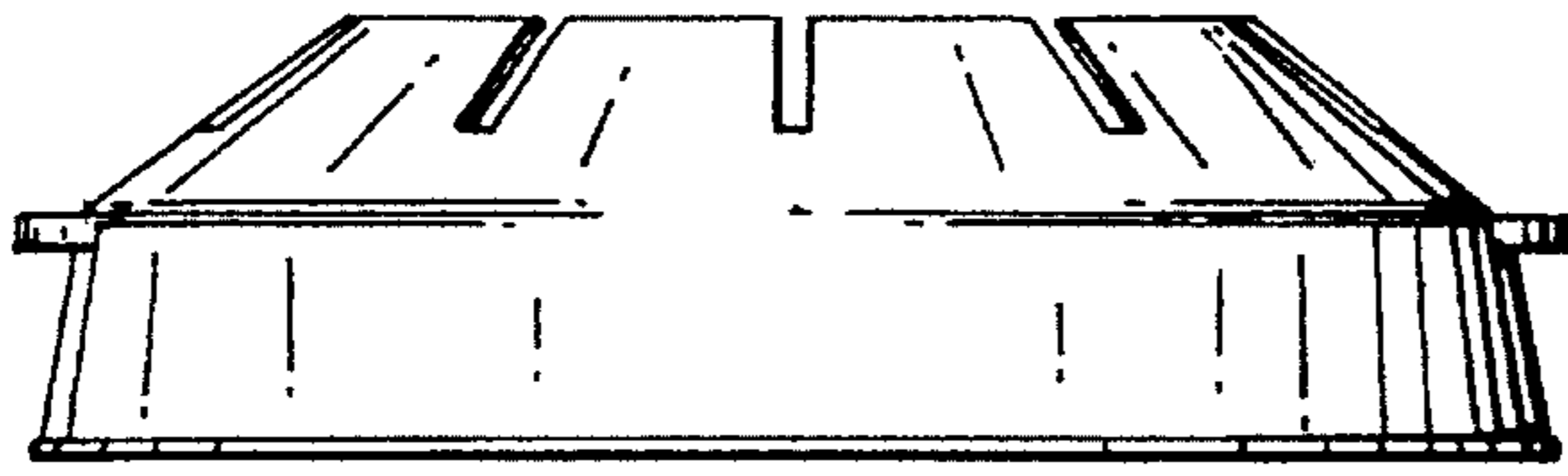


FIG. 1

FIG. 2

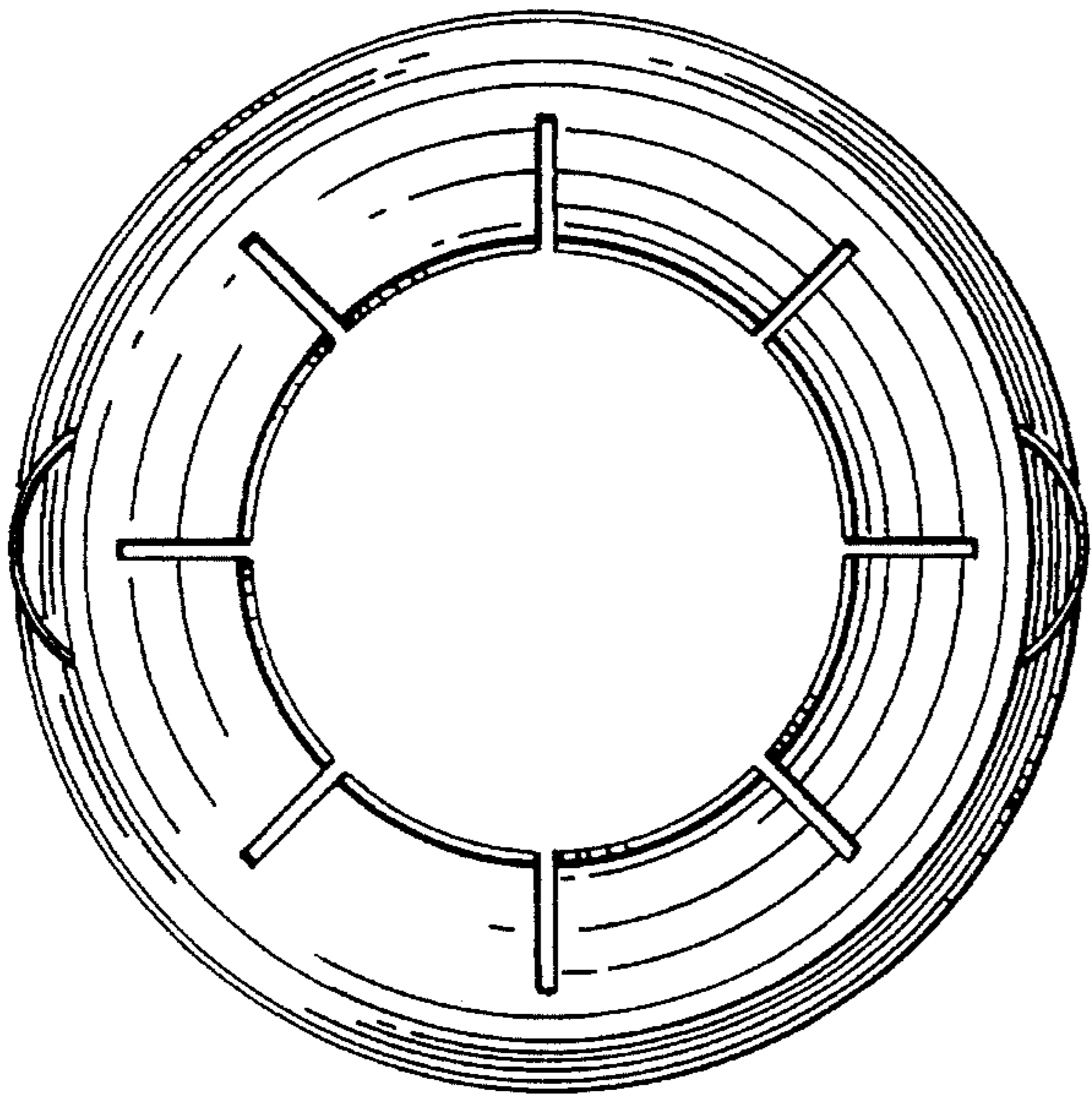
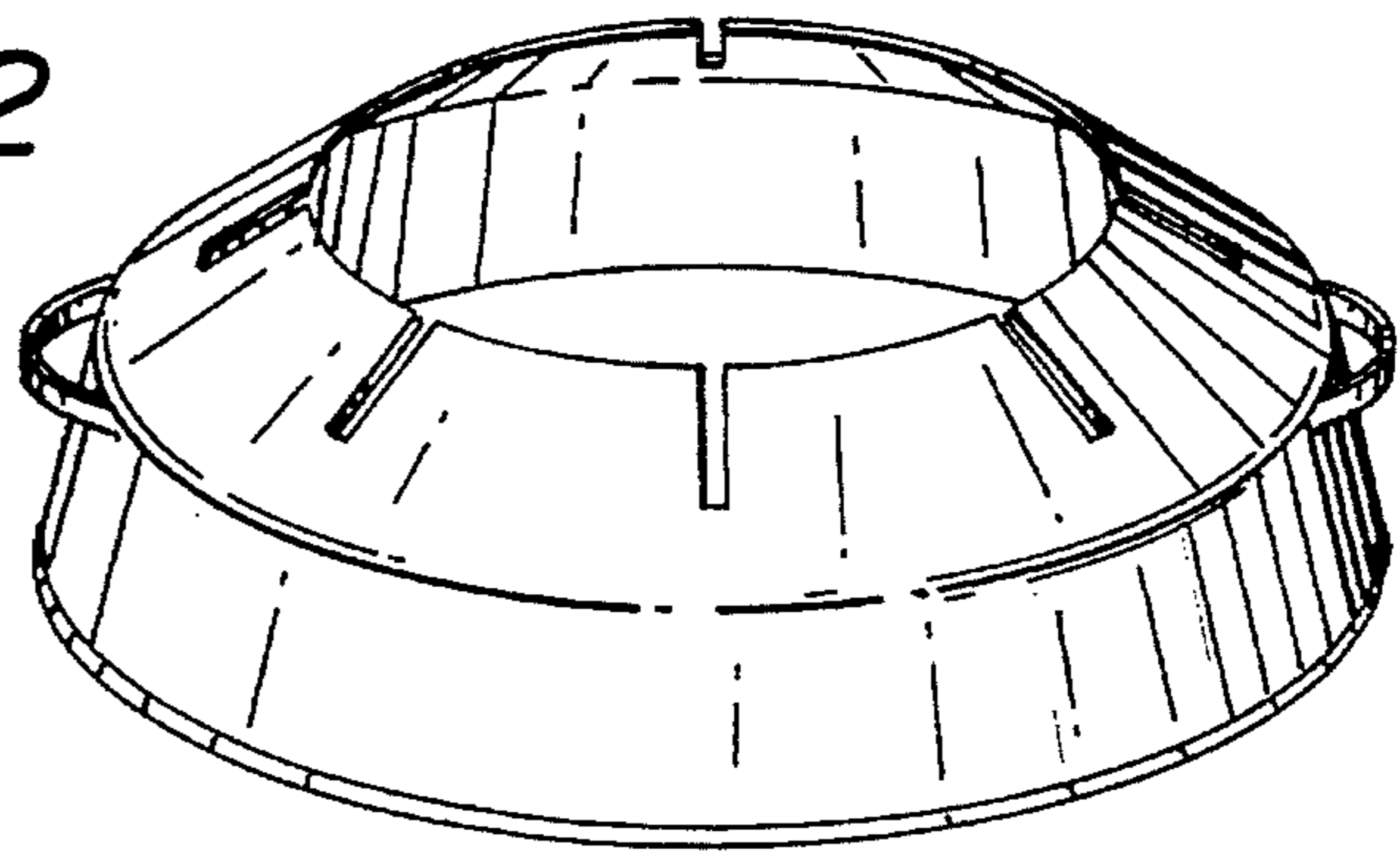


FIG. 3

FIG. 4

