



US00D362994S

United States Patent [19]

Ratermann et al.

[11] Patent Number: **Des. 362,994**

[45] Date of Patent: ****Oct. 10, 1995**

[54] **FOOD MIXER**

[75] Inventors: **Philip A. Ratermann, Troy; Randall L. Redman, Beaucreek, both of Ohio**

[73] Assignee: **Premark FEG Corporation, Deerfield, Ill.**

[**] Term: **14 Years**

[21] Appl. No.: **948,699**

[22] Filed: **Sep. 11, 1992**

[30] Foreign Application Priority Data

Mar. 12, 1992 [GB] United Kingdom 2021592

[52] U.S. Cl. **D7/376**

[58] Field of Search D7/376, 379; 366/92, 366/94, 95, 98, 185, 194, 197, 206, 241, 244

[56] References Cited

U.S. PATENT DOCUMENTS

D. 111,616 10/1938 Rosengren D7/379

D. 119,953	4/1940	Anstice et al.	D7/379
D. 163,423	5/1951	Schimanski	D7/379
D. 205,092	6/1966	Ewart	D7/379
1,955,413	4/1934	Dell	366/95
2,339,439	1/1944	Tone	D7/379 X

Primary Examiner—Alan P. Douglas
Assistant Examiner—Caron D. Veynar
Attorney, Agent, or Firm—Thompson, Hine and Flory

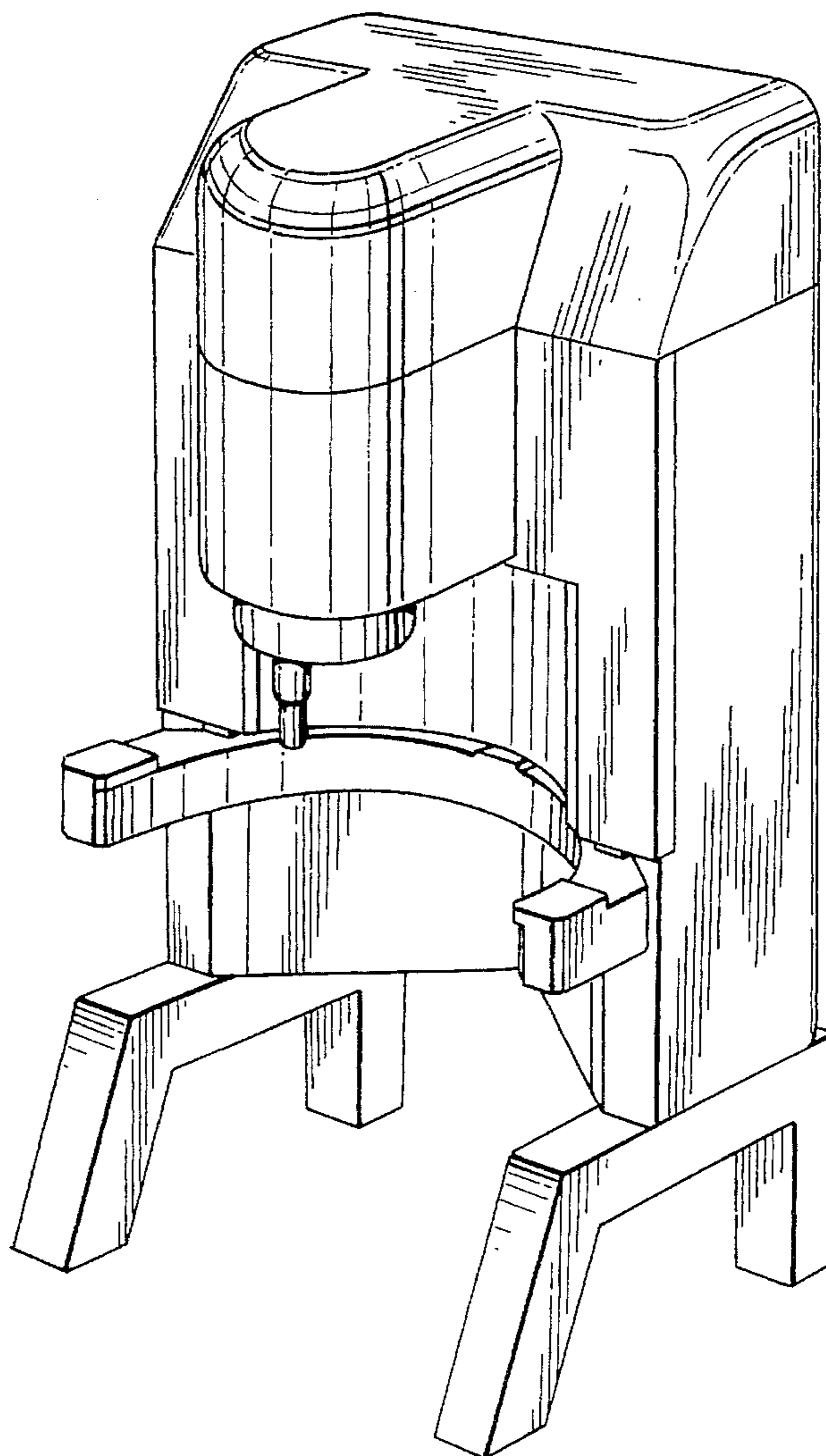
[57] CLAIM

The ornamental design for a food mixer, as shown.

DESCRIPTION

FIG. 1 is a front and right side perspective view of a food mixer showing our new design;
FIG. 2 is a top plan view thereof;
FIG. 3 is a left side elevational view thereof;
FIG. 4 is a front elevational view thereof;
FIG. 5 is a bottom plan view thereof; and,
FIG. 6 is a rear elevational view thereof.

1 Claim, 5 Drawing Sheets



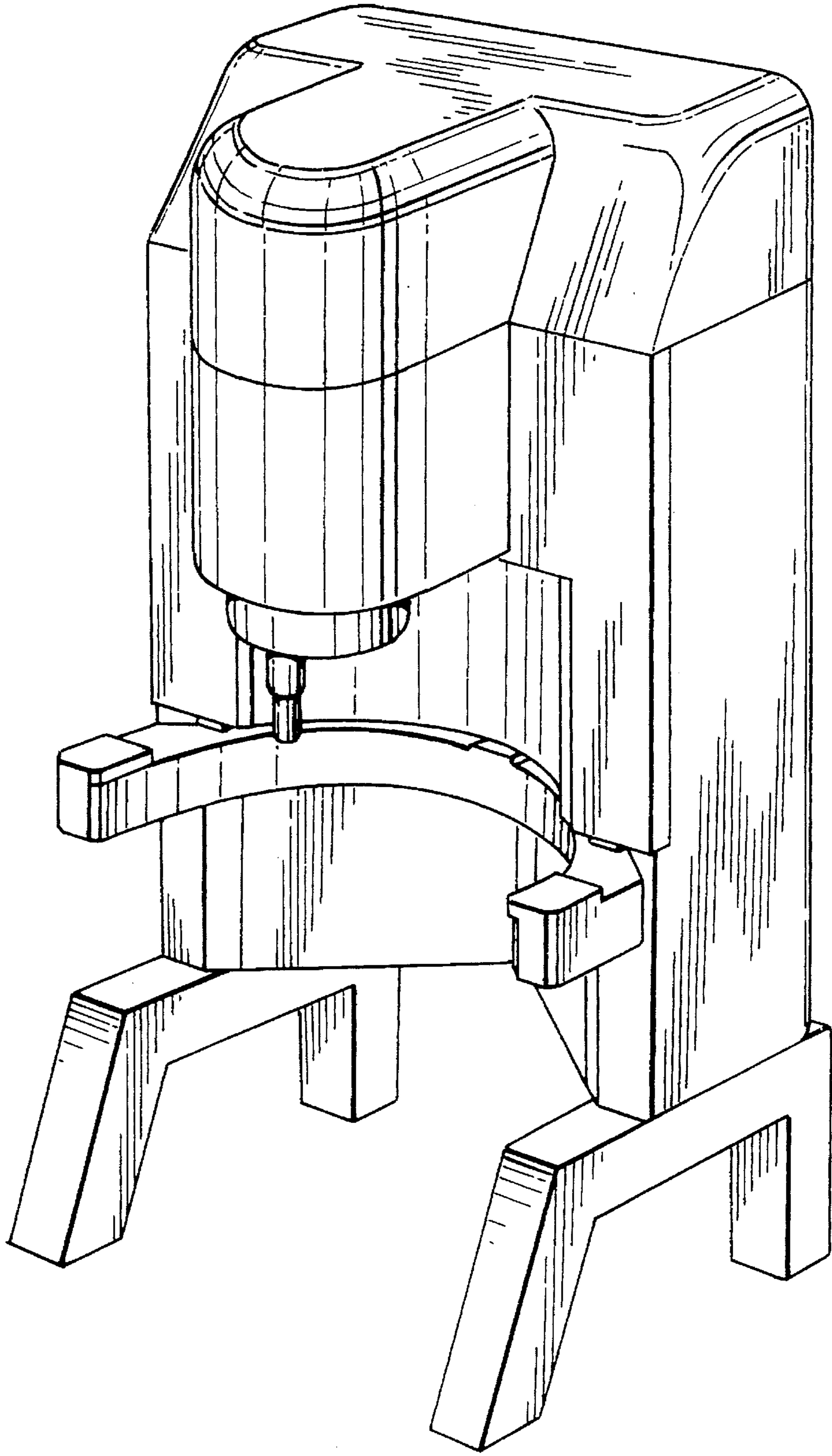


Fig. 1.

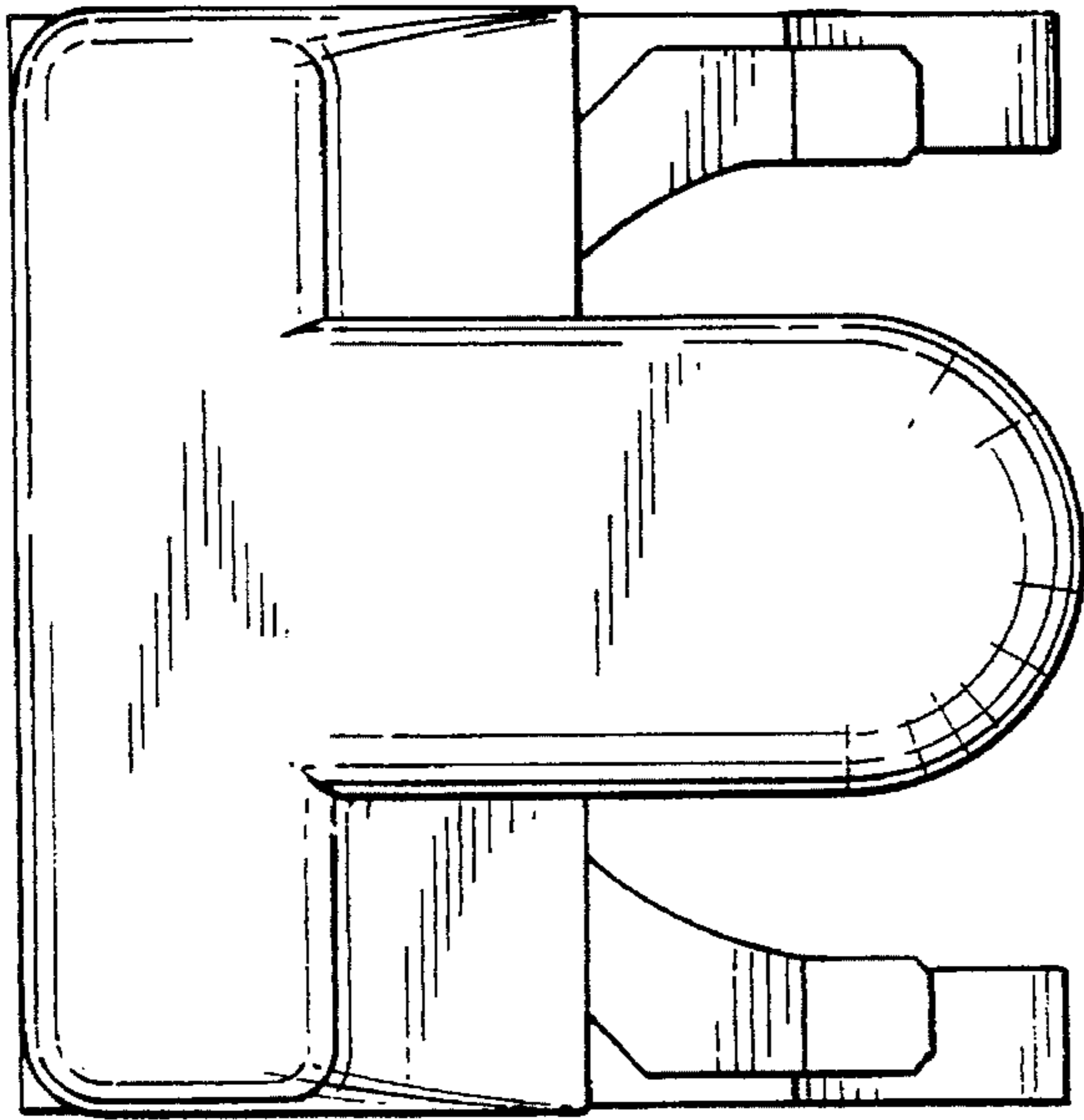


Fig. 2.

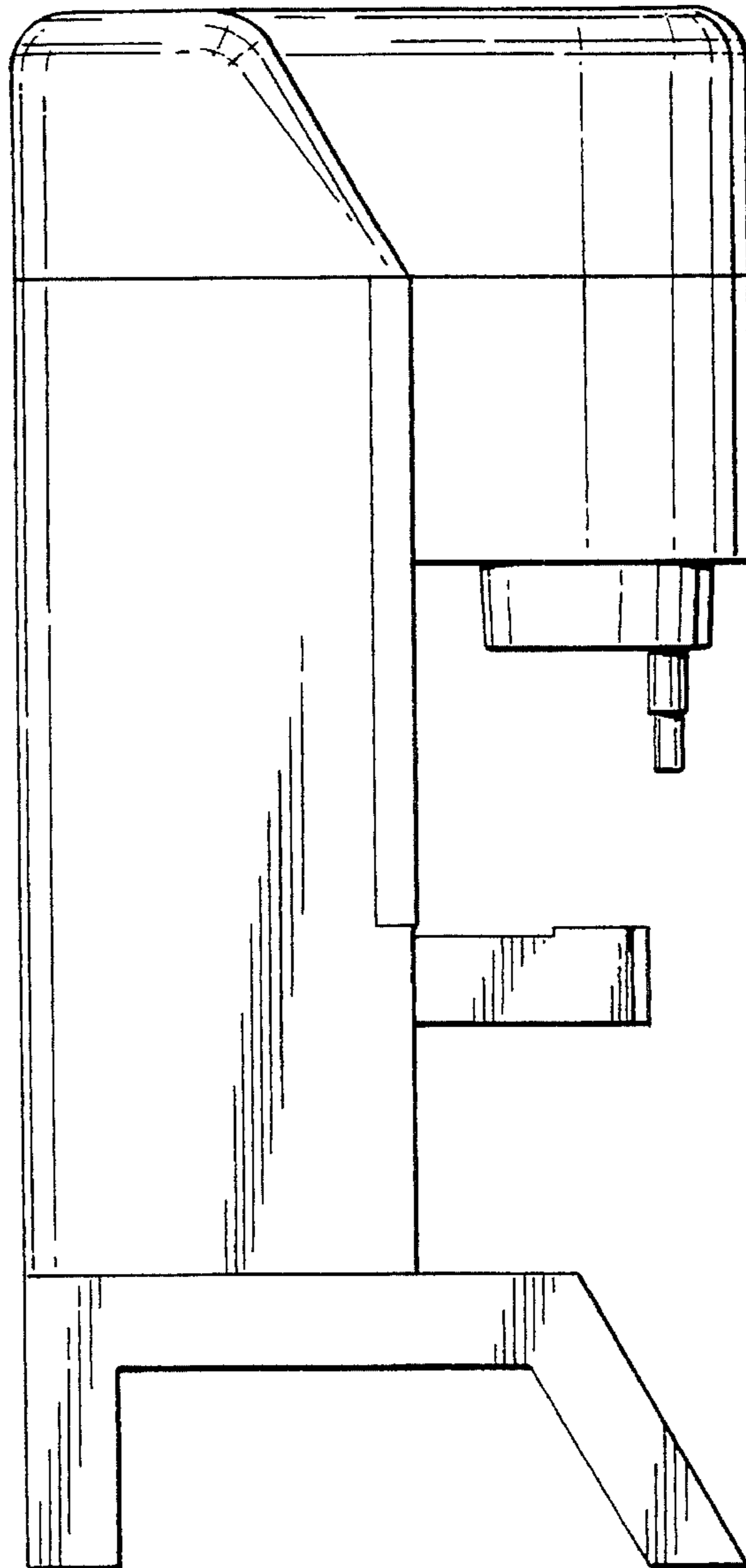


Fig. 3.

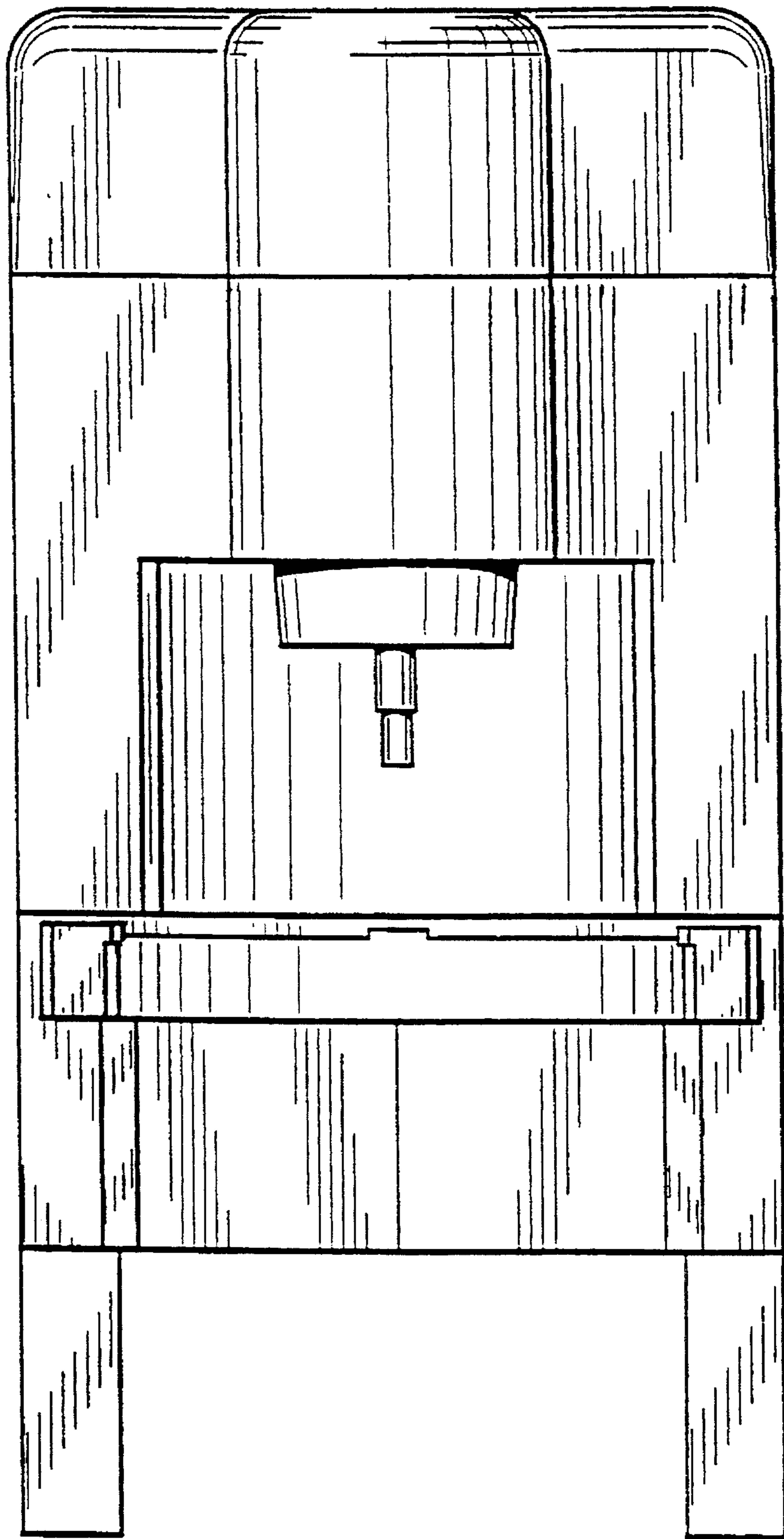


FIG. 4

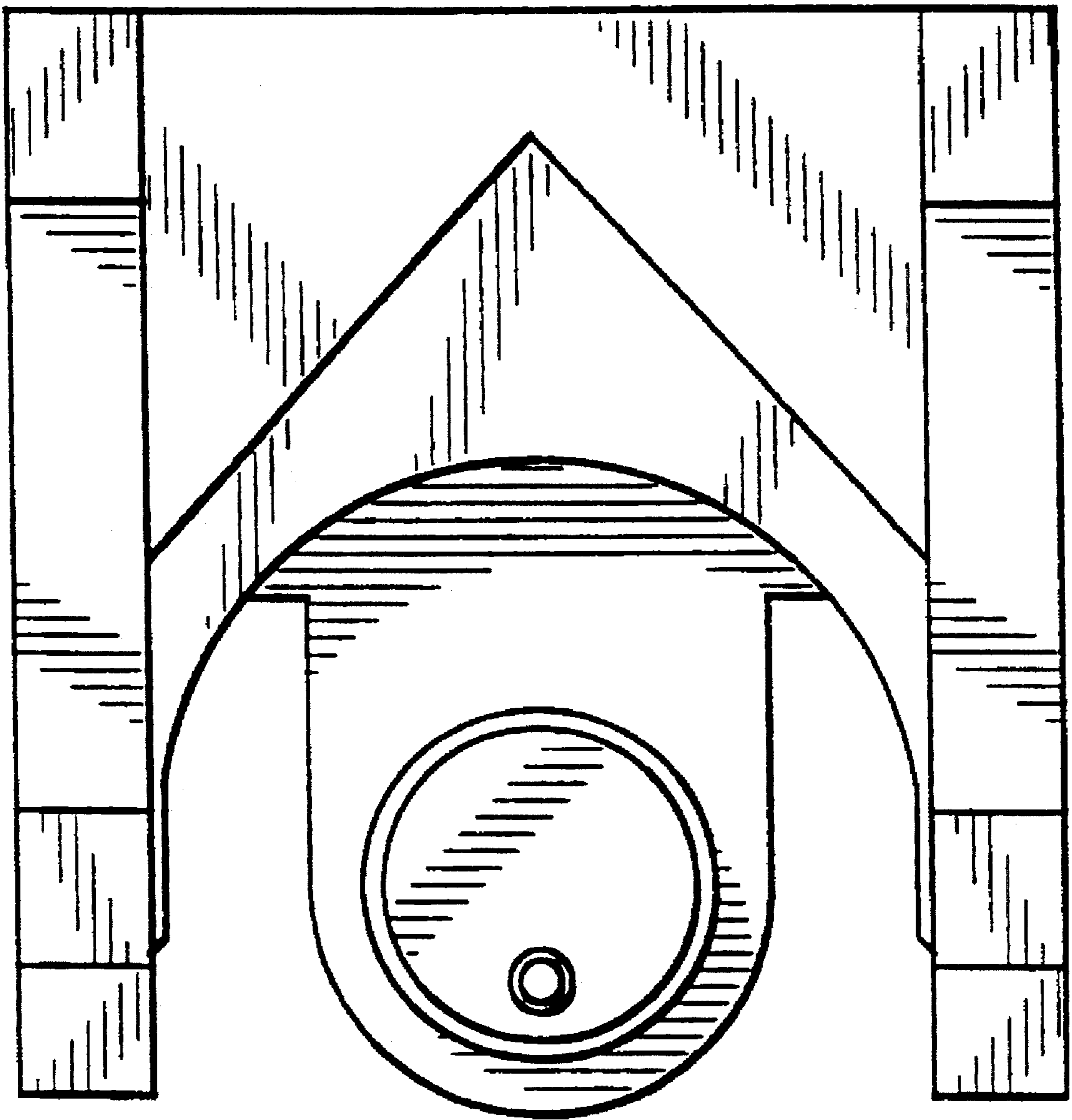


FIG. 5

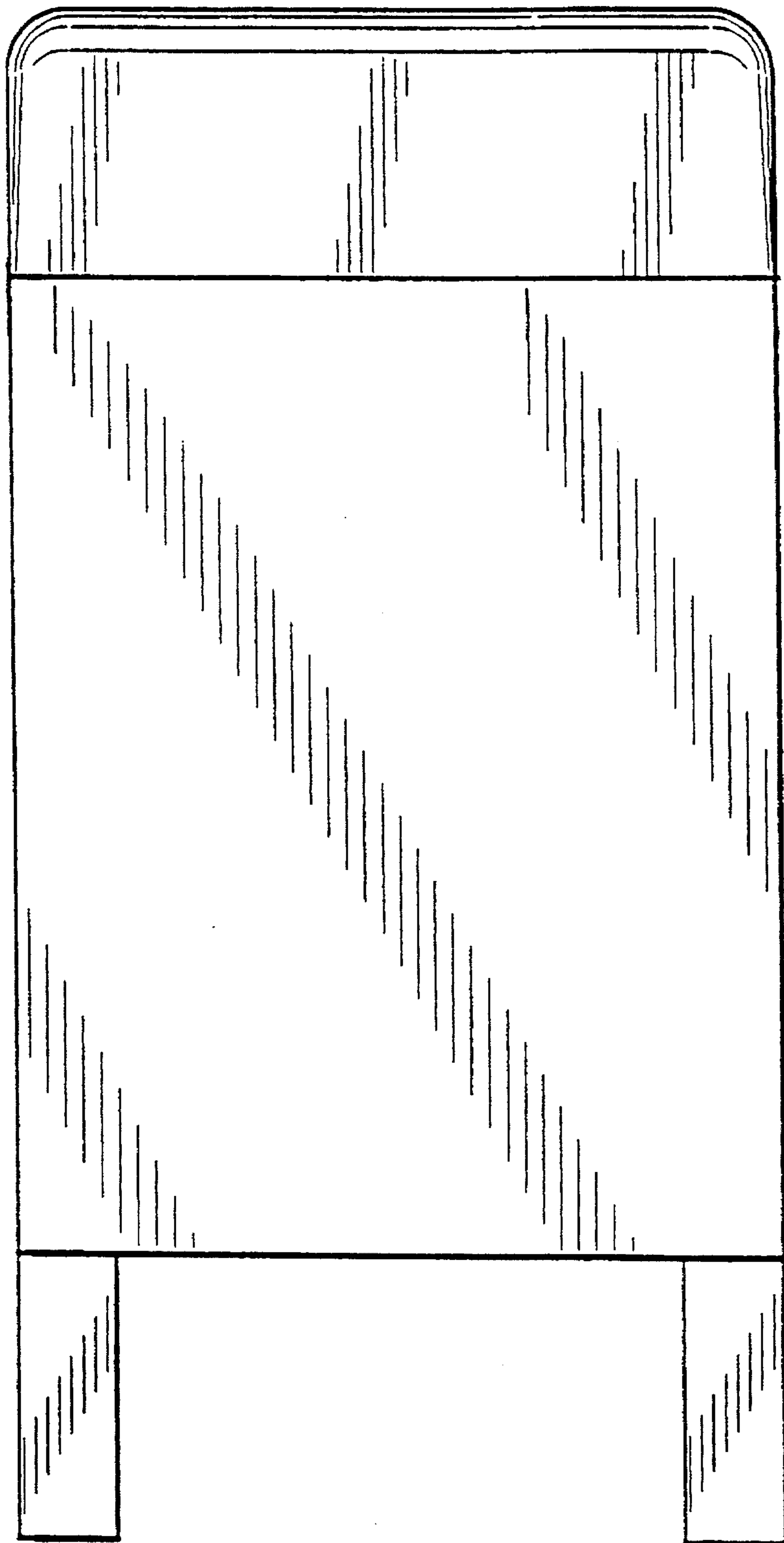


FIG. 6