



US00D362993S

United States Patent [19]

[11] **Patent Number:** **Des. 362,993**

Sarnoff et al.

[45] **Date of Patent:** ****Oct. 10, 1995**

[54] **RICE AND PASTA COOKER**

D. 345,485 3/1994 Leung D7/354 X

[75] Inventors: **Norton Sarnoff**, Northbrook; **Carl Fletcher**, Kildeer; **Laura Giese**, Oak Park; **John Chmela**, Mount Prospect, all of Ill.

Primary Examiner—Alan P. Douglas
Assistant Examiner—Caron D. Veynar
Attorney, Agent, or Firm—Lee, Mann, Smith, McWilliams, Sweeney & Ohlson

[73] Assignee: **Ensar Corporation**, Wheeling, Ill.

[57] **CLAIM**

[**] Term: **14 Years**

The ornamental design for a rice and pasta cooker, as shown and described.

[21] Appl. No.: **5,947**

DESCRIPTION

[22] Filed: **Mar. 18, 1993**

[52] U.S. Cl. **D7/360; D7/323**

[58] **Field of Search** D7/323, 354, 360;
99/403, 337, 324, 336, 339, 348, 376, 413,
417, 426

FIG. 1 is a perspective view of the rice and pasta cooker according to the invention;
FIG. 2 is a top plan view thereof;
FIG. 3 is a bottom plan view thereof;
FIG. 4 is a front elevational view, the rear elevational view being a mirror image thereof; and,
FIG. 5 is a right side elevational view, the left side elevational view being a mirror image thereof.

[56] **References Cited**

U.S. PATENT DOCUMENTS

D. 335,422 5/1993 Mano et al. D7/354 X

1 Claim, 3 Drawing Sheets

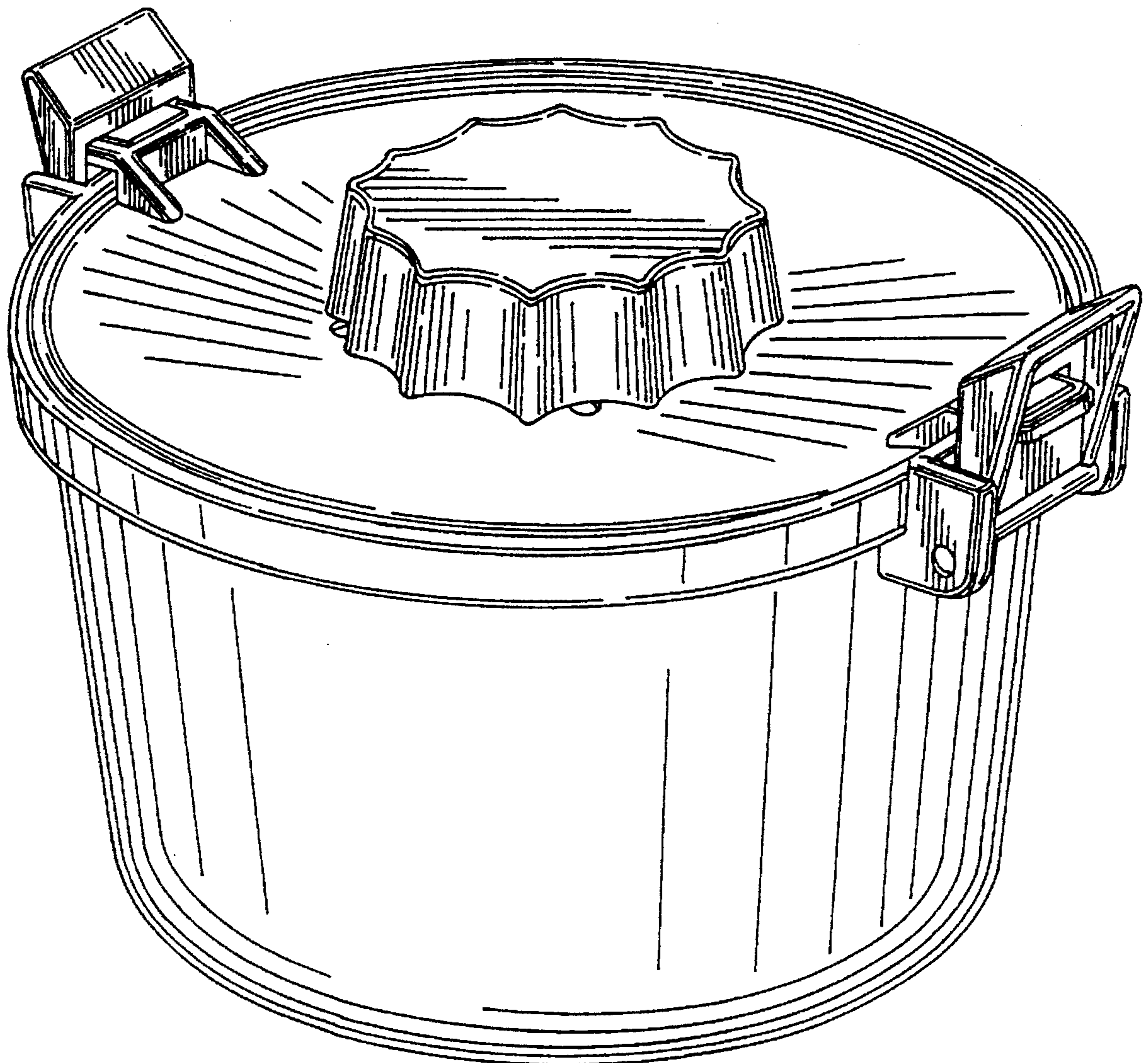


FIG. 1

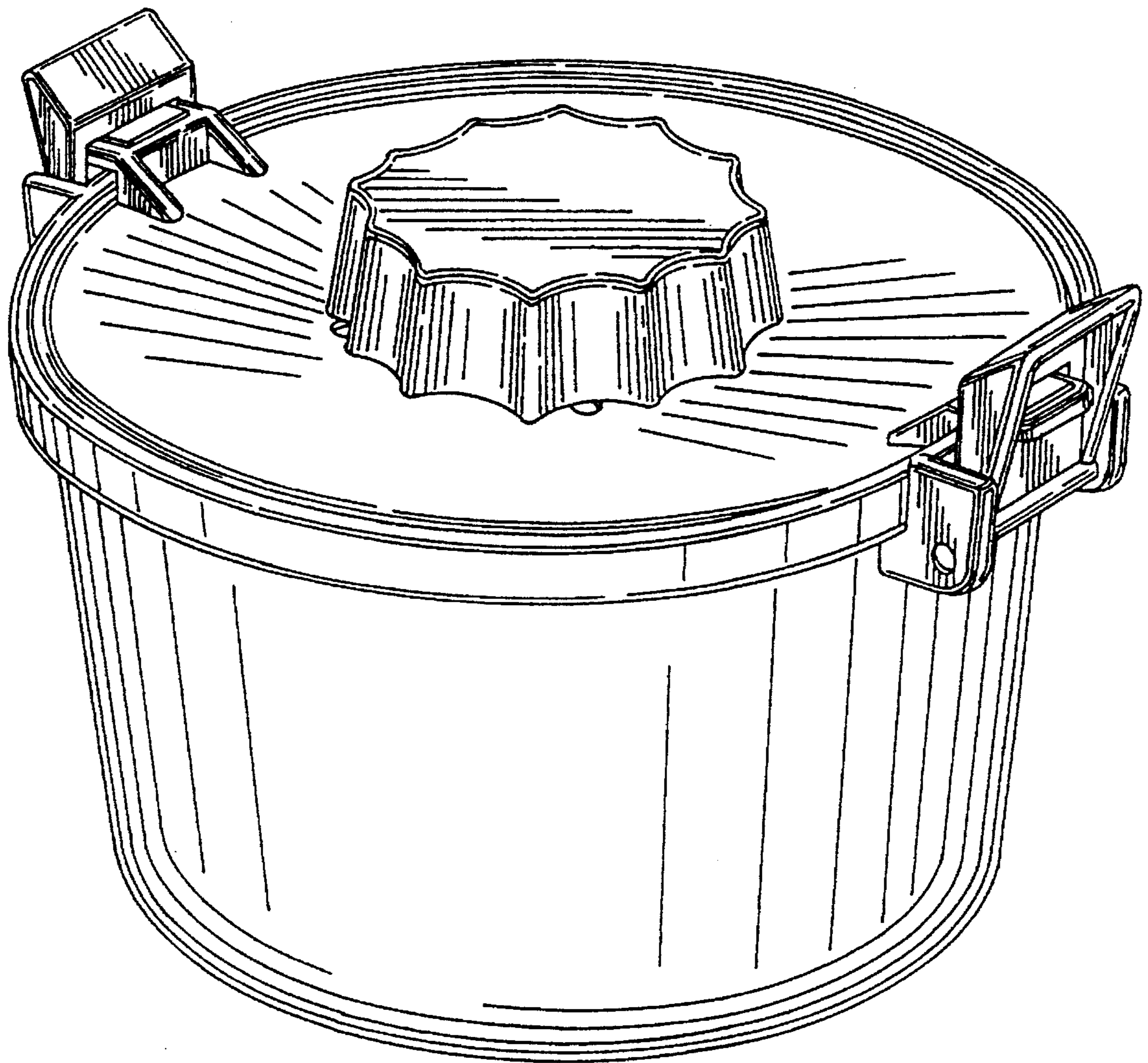


FIG. 2

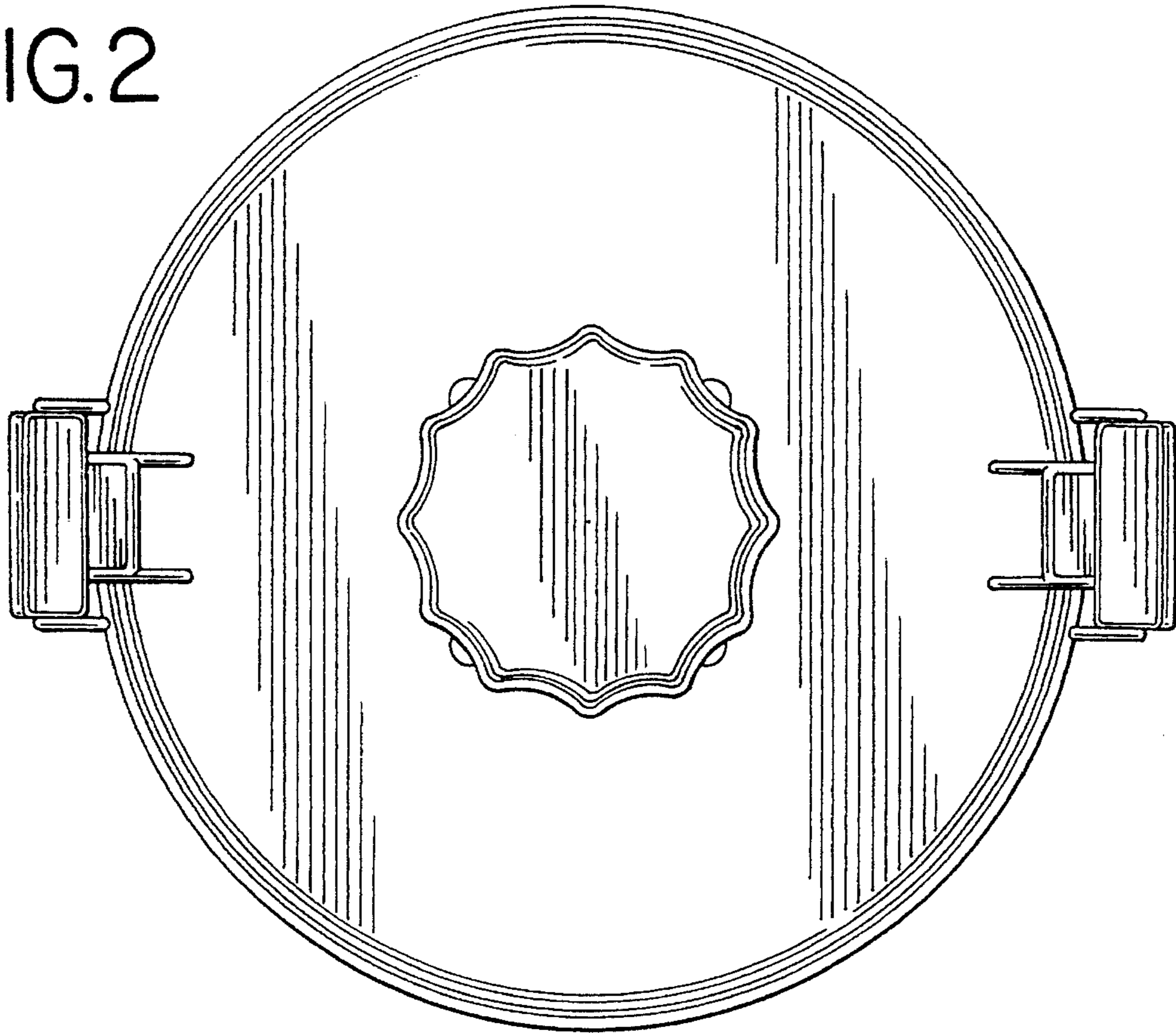


FIG. 3

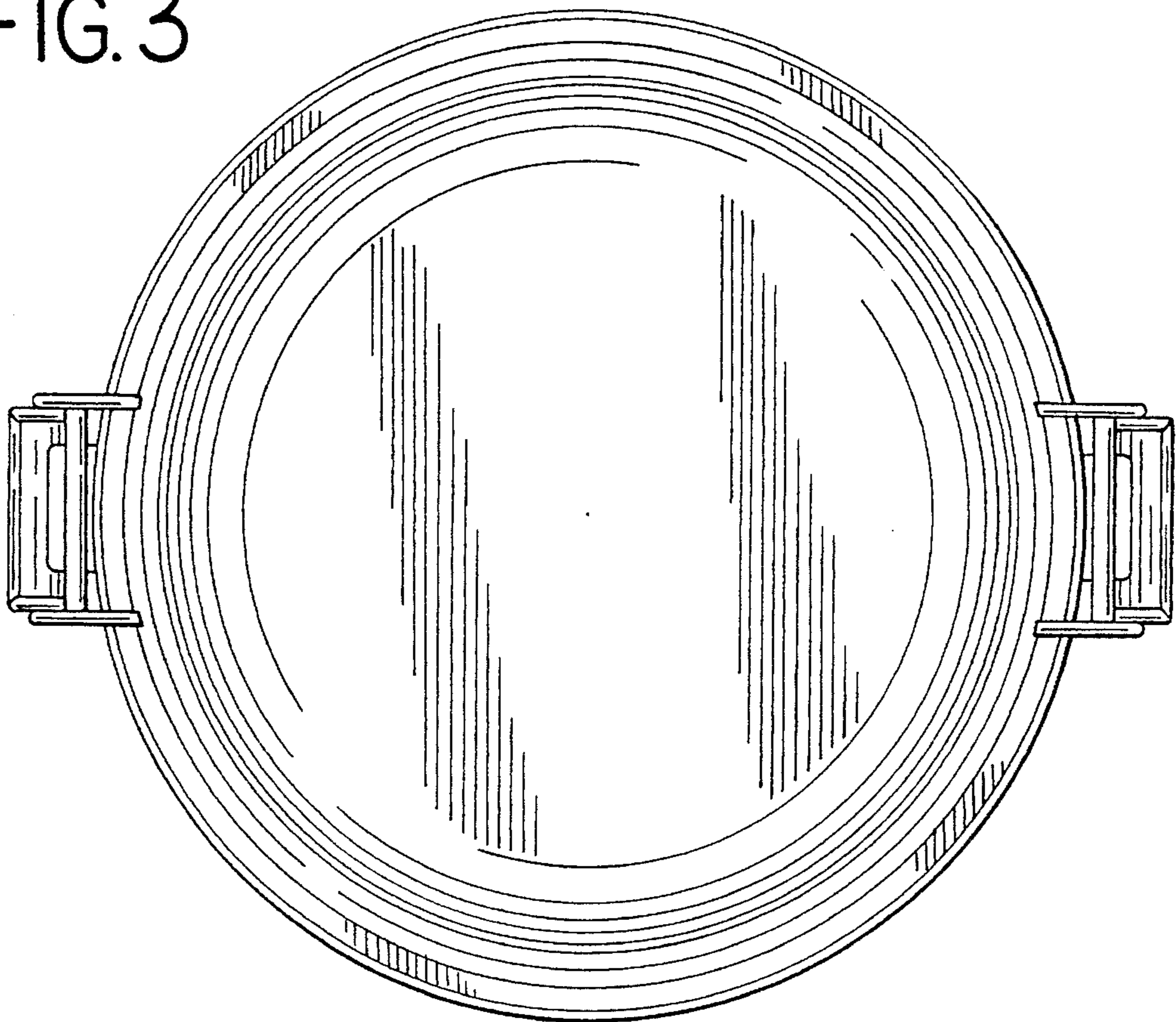


FIG. 4

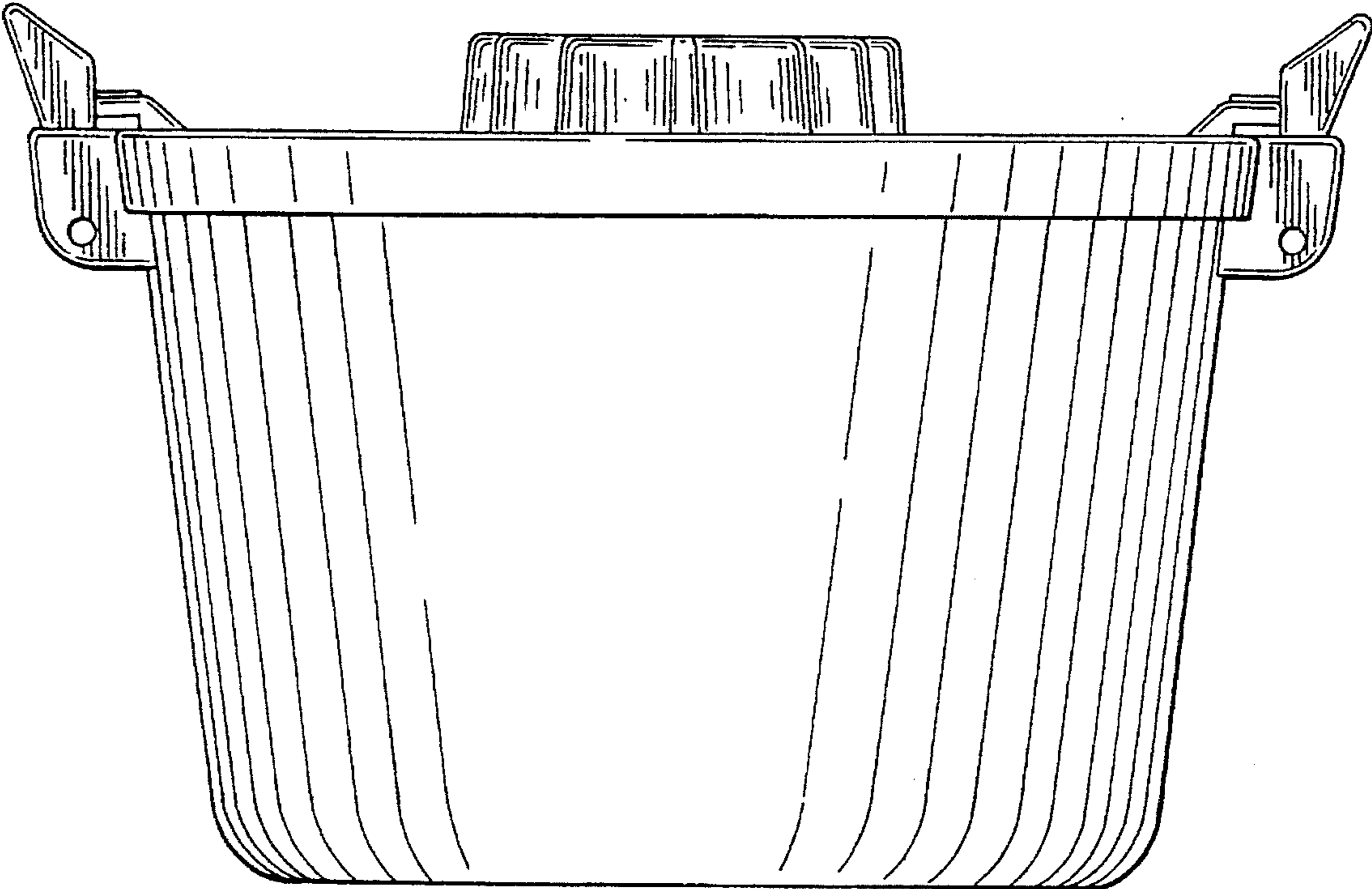


FIG. 5

