



US00D362987S

**United States Patent** [19]  
**Laib**

[11] **Patent Number:** **Des. 362,987**

[45] **Date of Patent:** **\*\*Oct. 10, 1995**

[54] **FREESTANDING OR WALL-MOUNTABLE STORAGE RACK FOR SEALABLE CONTAINER COVERS**

2,636,663 4/1953 Carlson ..... 211/88  
3,294,244 12/1966 Laughlin .  
3,779,152 12/1973 Smith .

[75] Inventor: **Douglas M. Laib**, Kissimmee, Fla.

*Primary Examiner*—Brian N. Vinson  
*Attorney, Agent, or Firm*—John A. Doninger

[73] Assignee: **Dart Industries Inc.**, Deerfield, Ill.

[57] **CLAIM**

[\*\*] Term: **14 Years**

The ornamental design for a freestanding or wall-mountable storage rack for sealable container covers, as shown.

[21] Appl. No.: **17,653**

**DESCRIPTION**

[22] Filed: **Jan. 19, 1994**

[52] U.S. Cl. .... **D6/567**

[58] **Field of Search** ..... D6/512, 553, 567,  
D6/407; D7/637; 211/86-87, 88, 13, 41

FIG. 1 is a top front perspective view of a freestanding or wall-mountable storage rack for sealable container covers comprising my new design;

FIG. 2 is a front elevation view thereof;

FIG. 3 is a rear elevation view thereof;

FIG. 4 is a top plan view thereof;

FIG. 5 is a bottom plan view thereof;

FIG. 6 is a right side elevation view thereof;

FIG. 7 is a left side elevation view thereof;

FIG. 8 is a cross-section view taken on line 8—8 in FIG. 4; and,

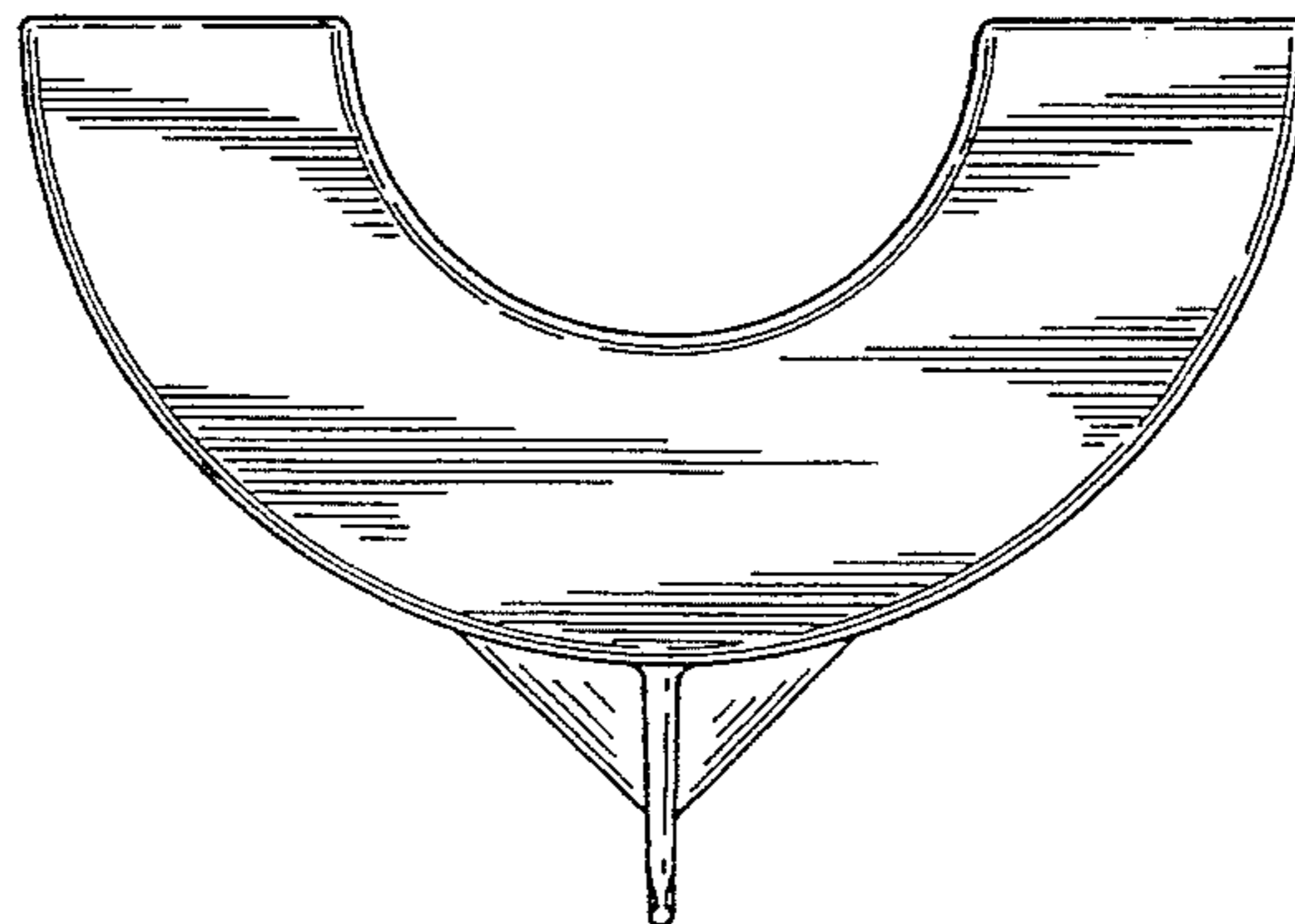
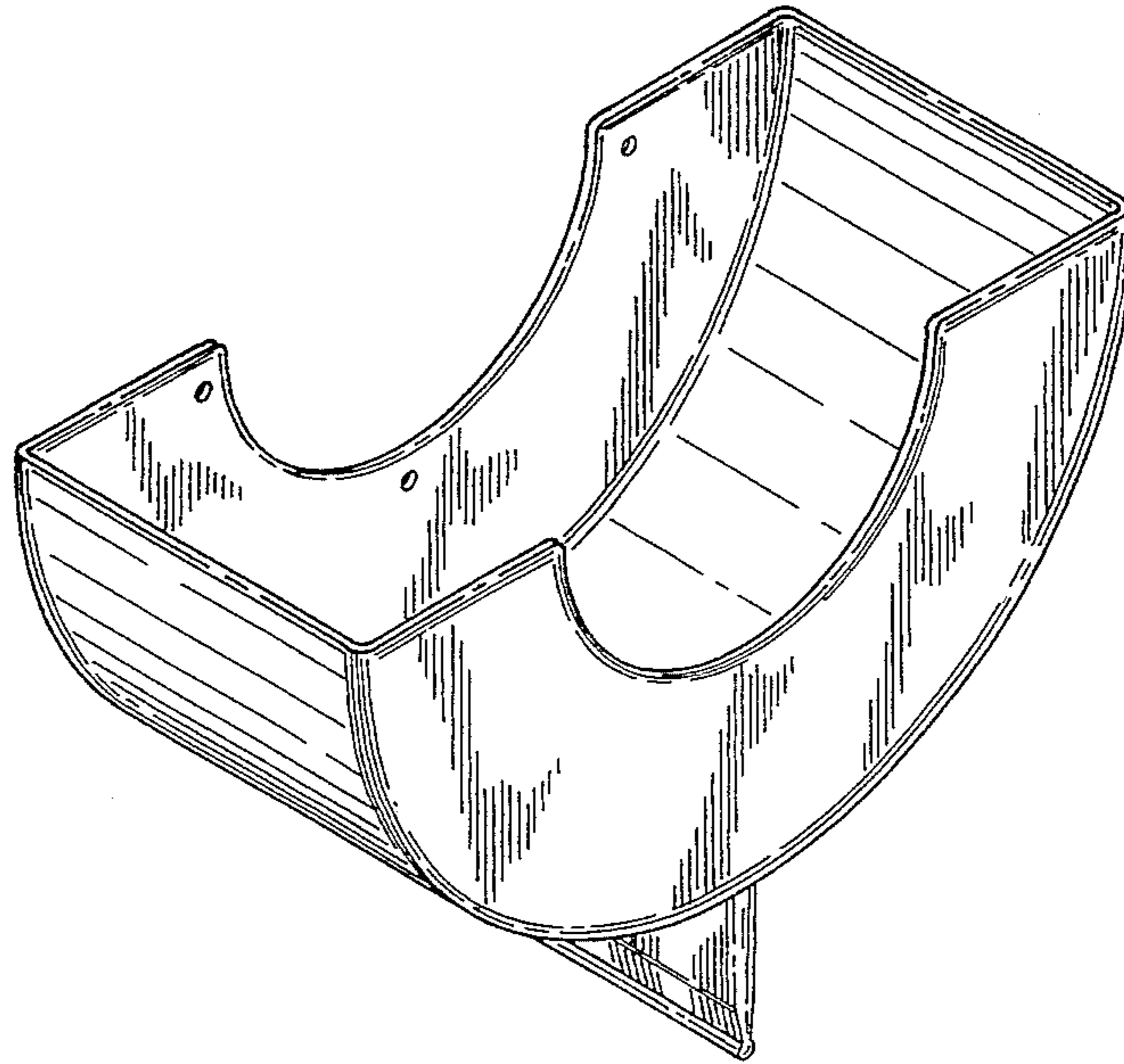
FIG. 9 is a cross-section view taken on line 9—9 in FIG. 4.

[56] **References Cited**

**U.S. PATENT DOCUMENTS**

D. 244,816	6/1977	Pierce .....	D6/573
D. 285,511	9/1986	Loscalzo et al. ....	D6/573
D. 286,120	10/1986	Szablak et al. ....	D6/553
919,896	4/1909	Lemke .	
1,204,344	11/1916	Dalton .	
1,986,486	12/1932	Swanson .	
2,198,825	4/1940	Kuert .	
2,633,994	4/1953	Brown .	

**1 Claim, 5 Drawing Sheets**



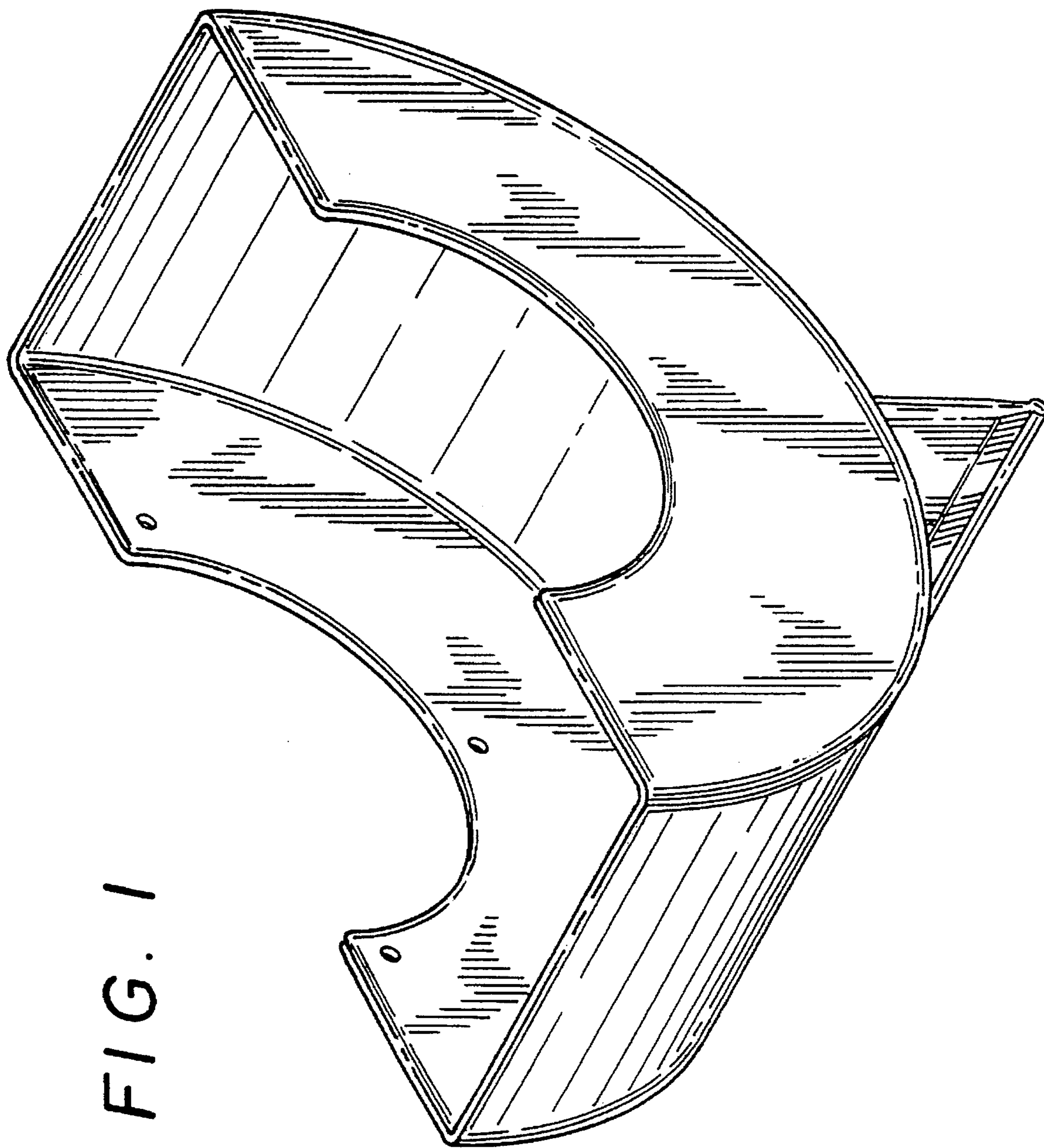


FIG. 1

FIG. 2

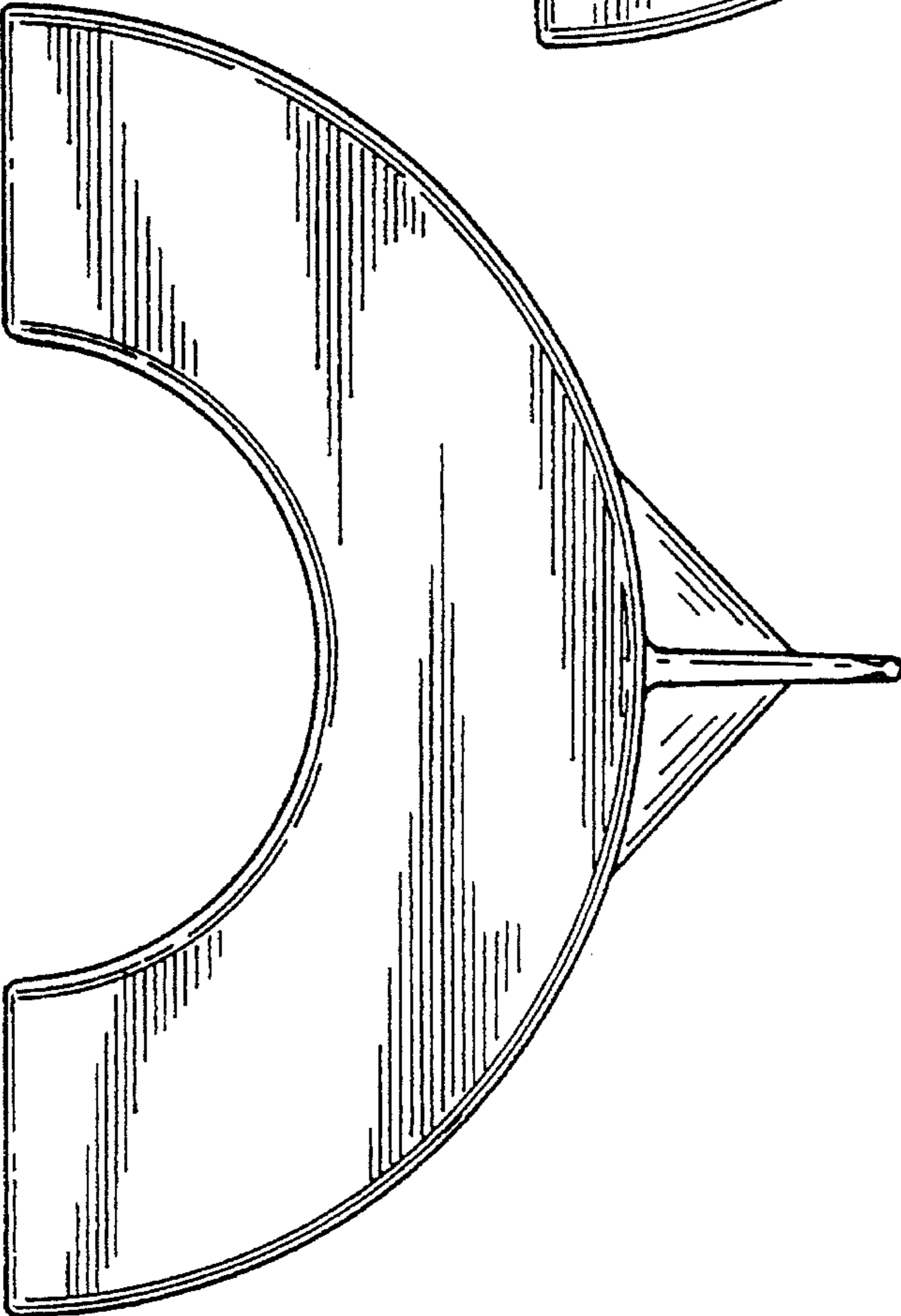
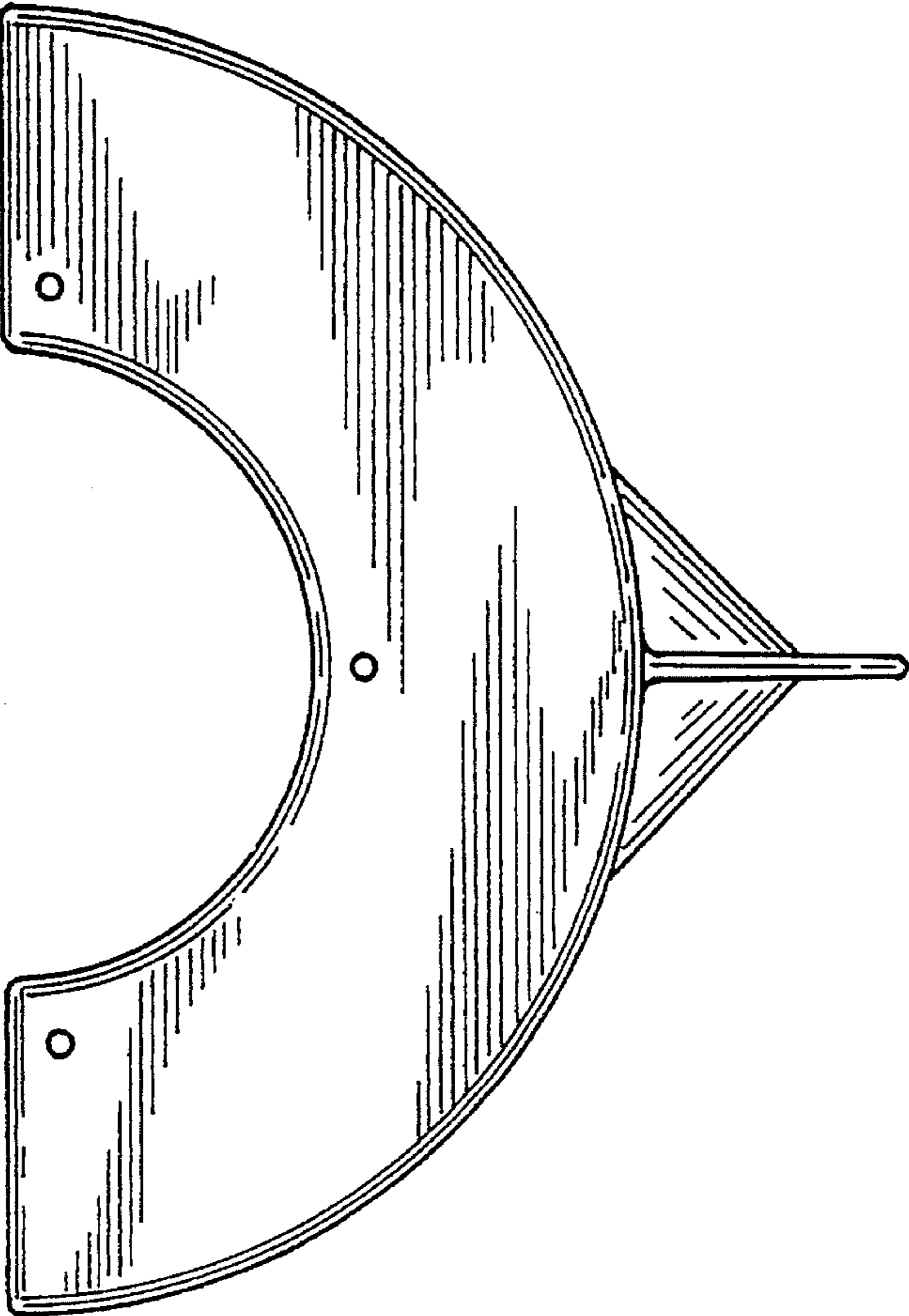


FIG. 3



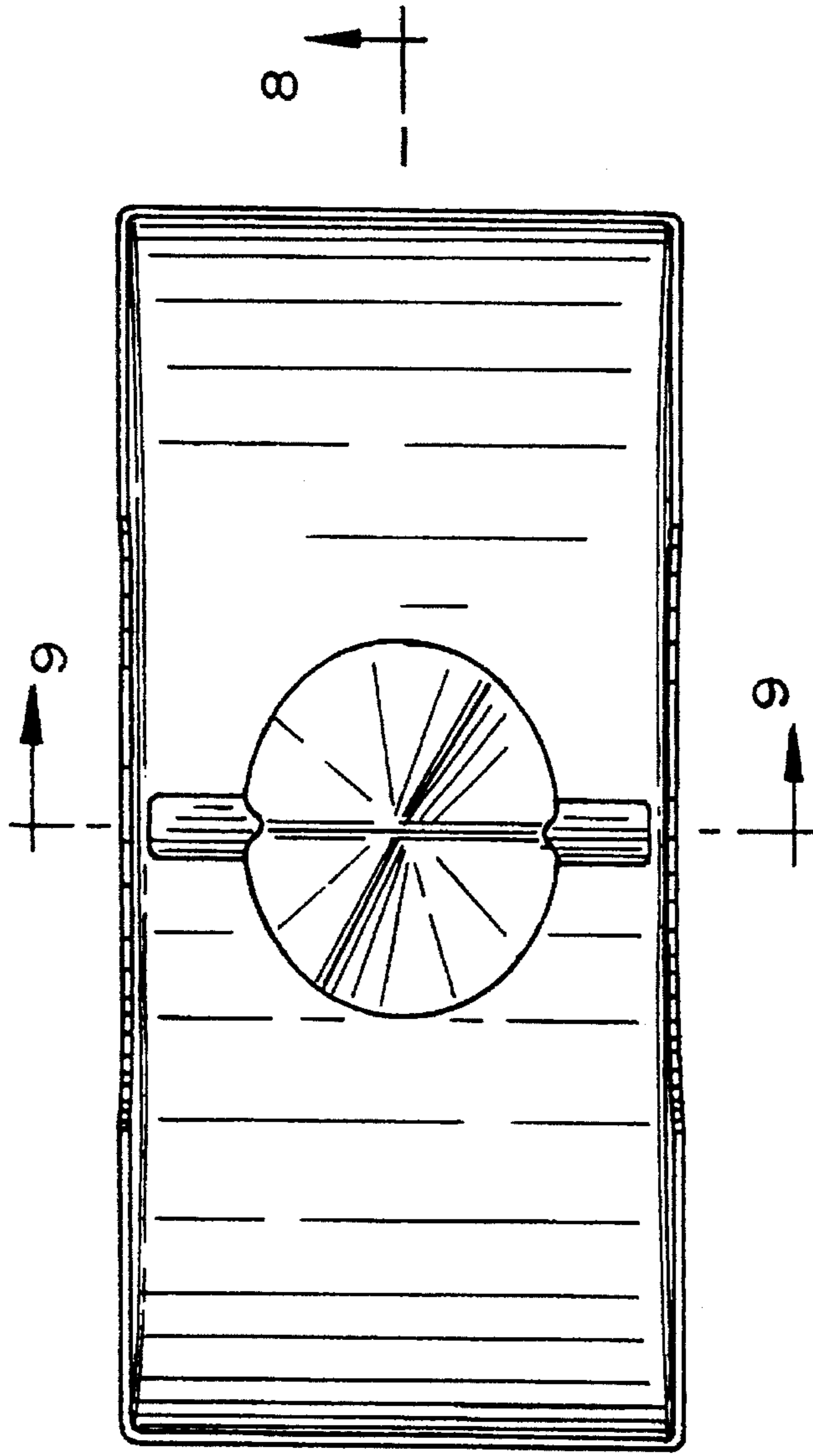


FIG. 4

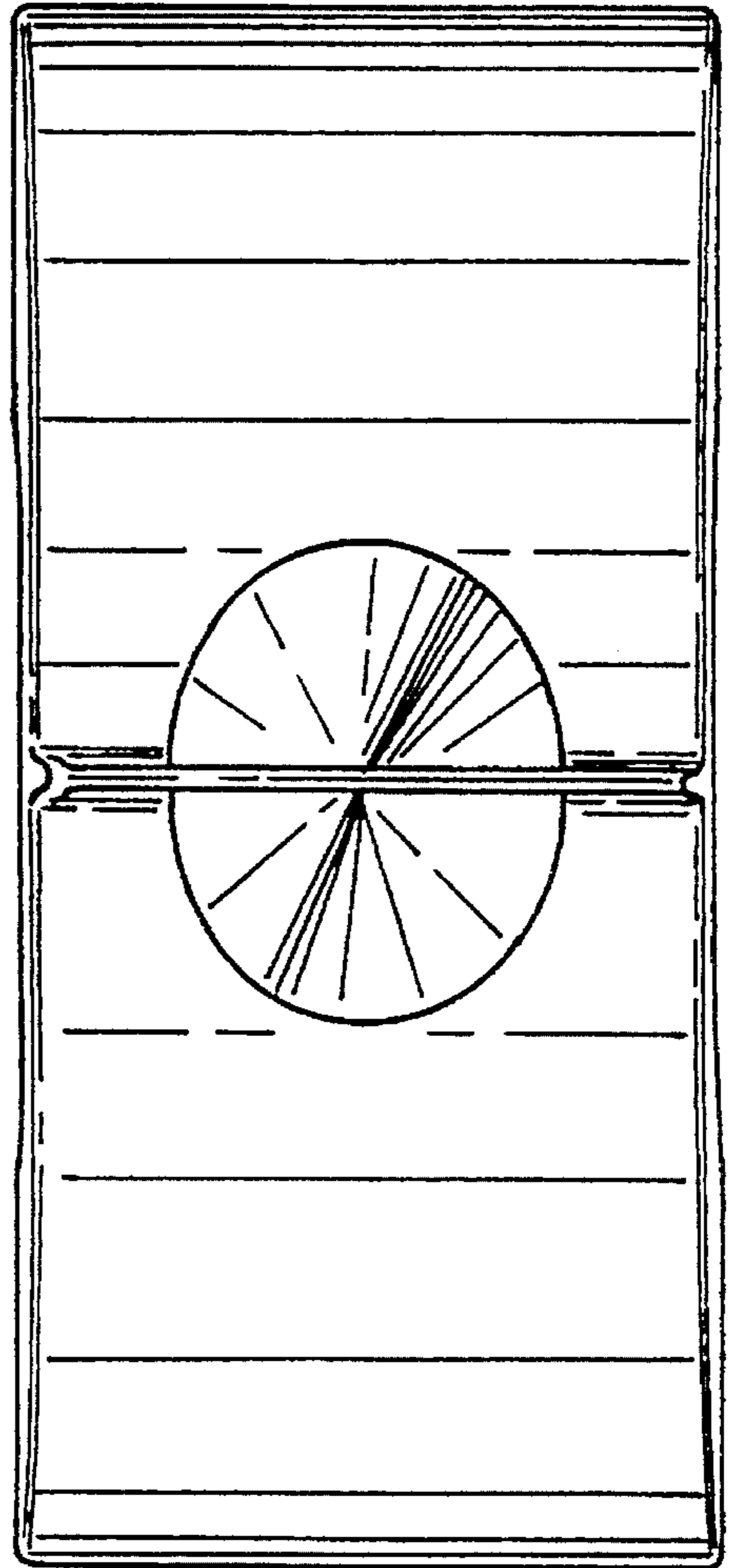


FIG. 5

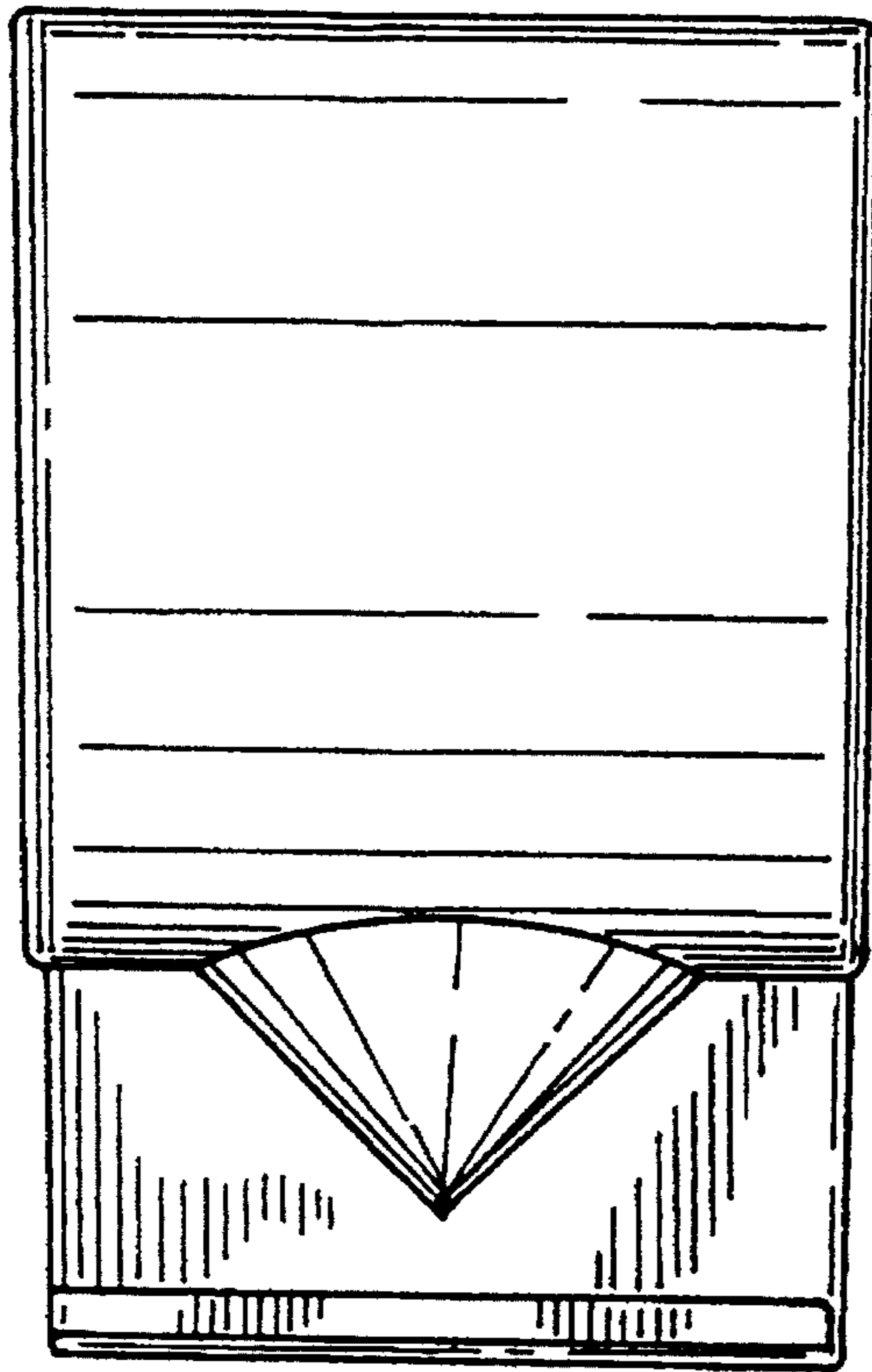


FIG. 6

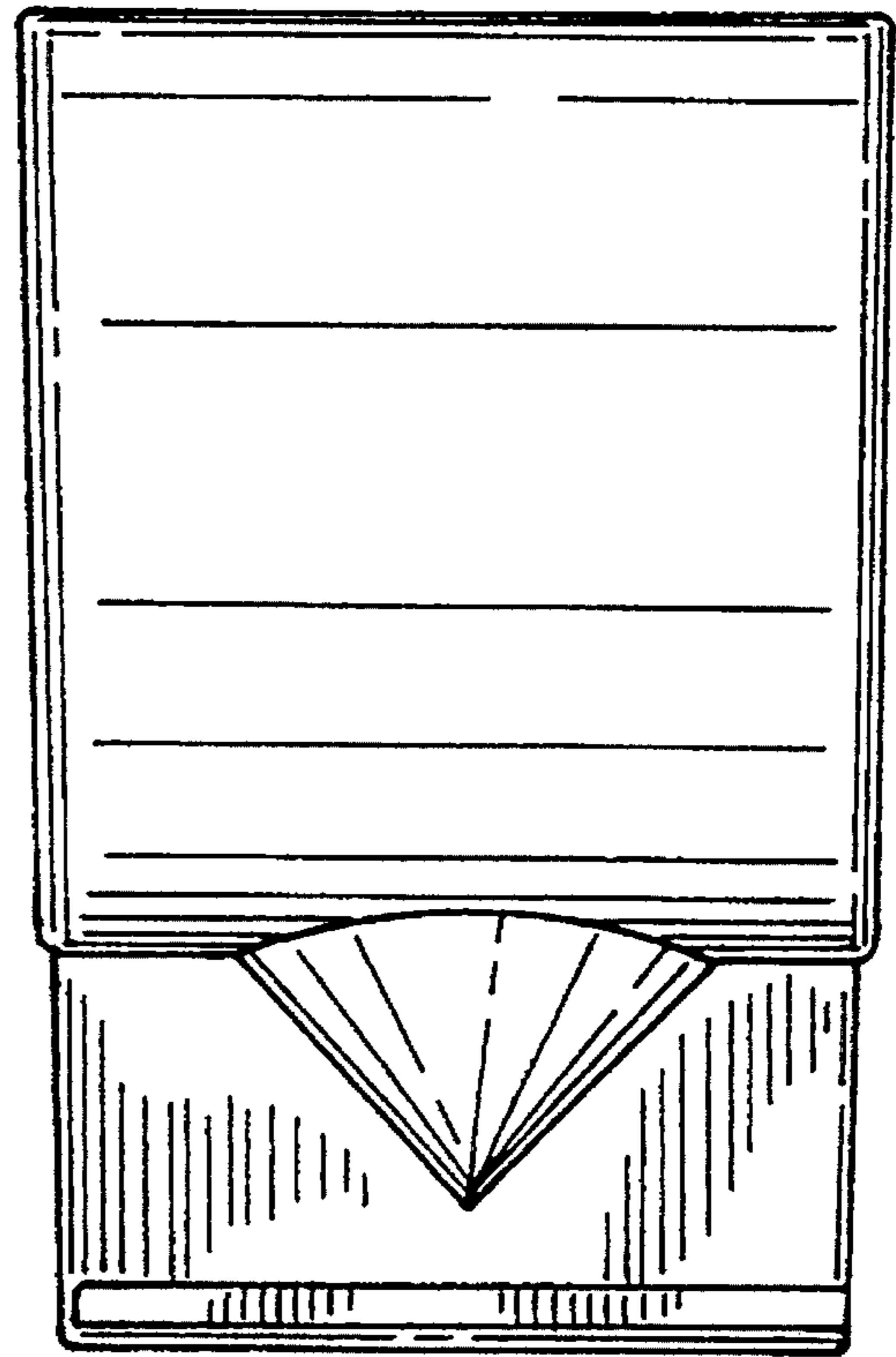


FIG. 7

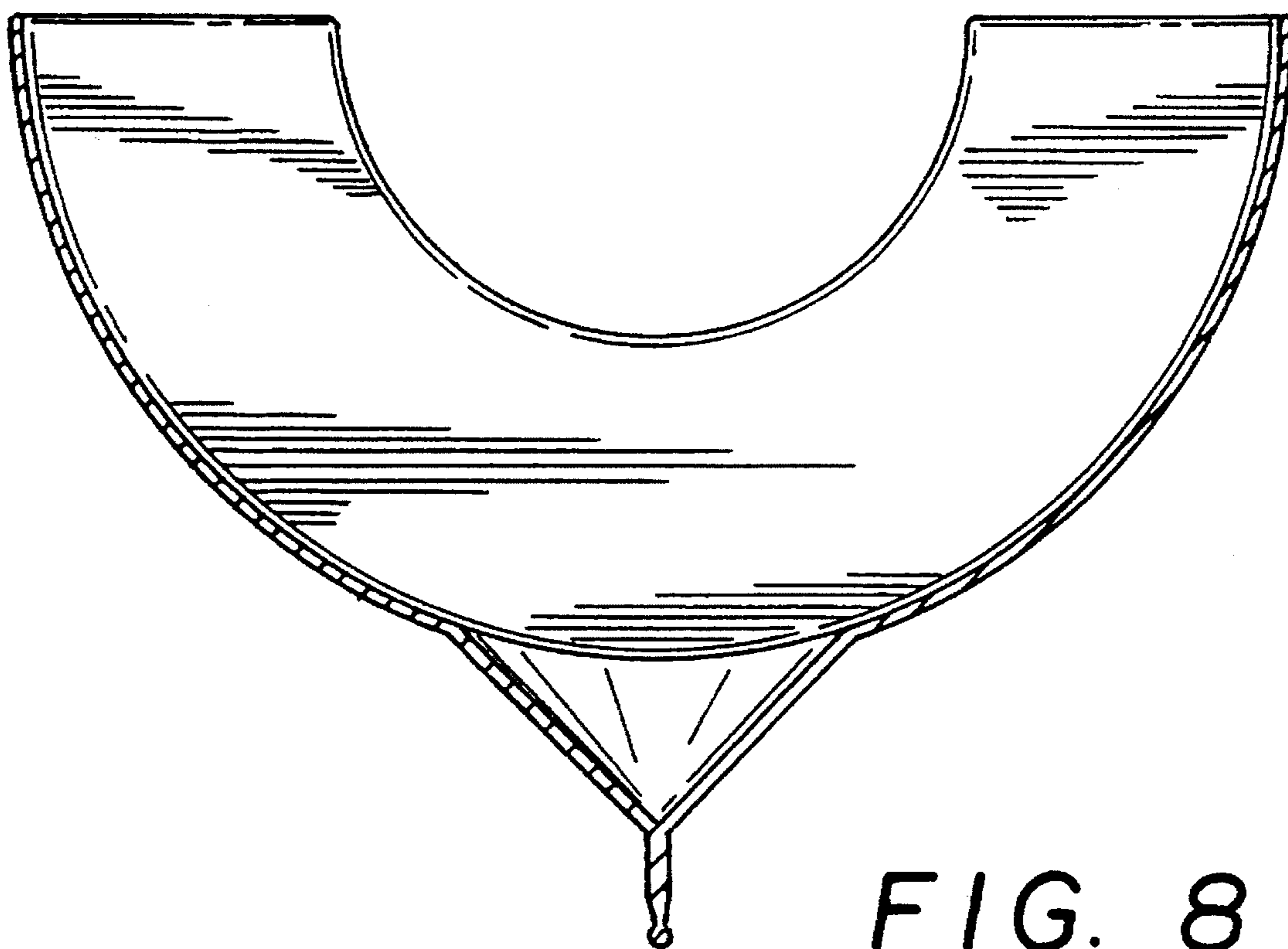


FIG. 8

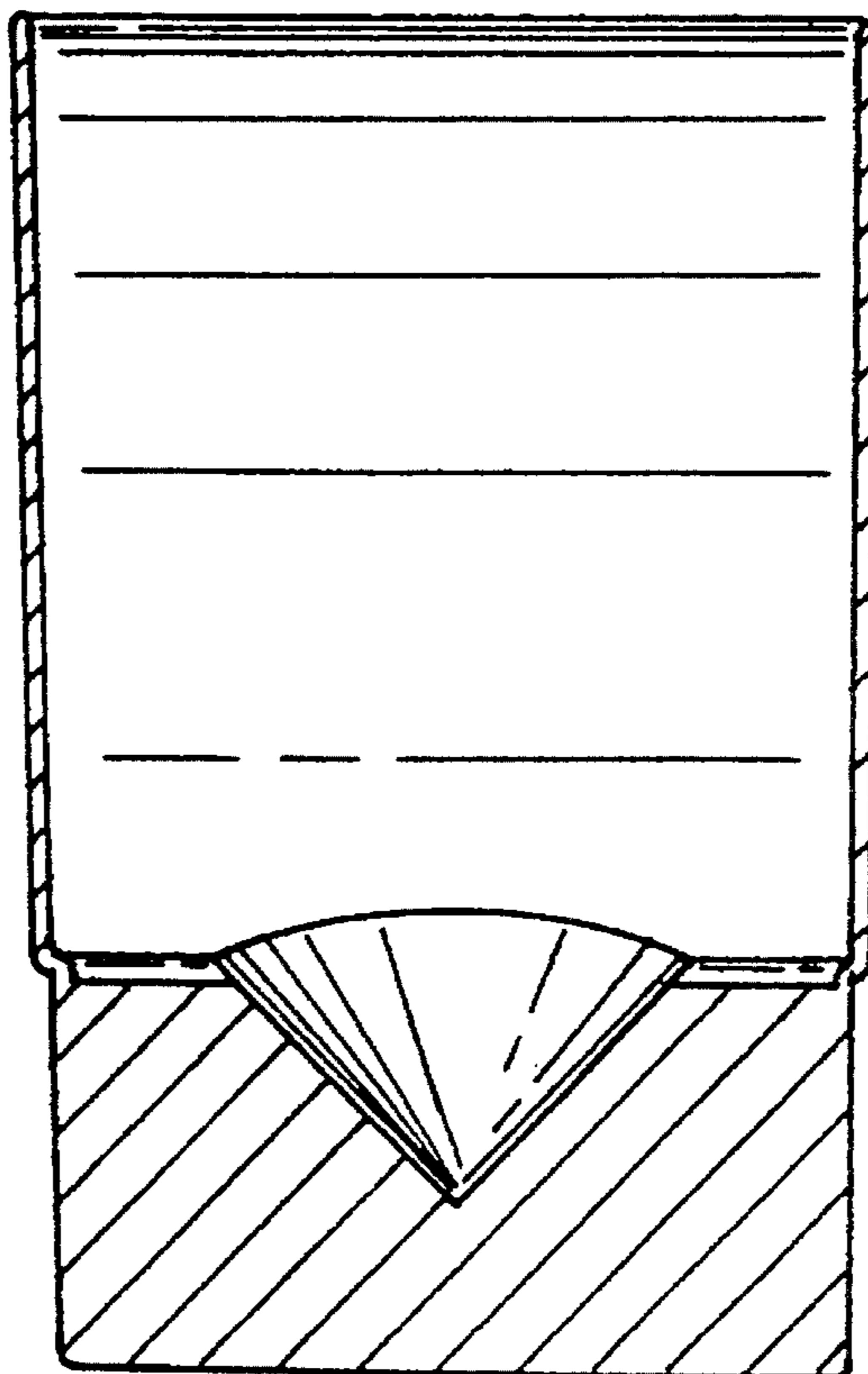


FIG. 9