



US00D362986S

United States Patent [19]

[11] Patent Number: Des. 362,986

Kuan

[45] Date of Patent: **Oct. 10, 1995

[54] SOAP DISH

[76] Inventor: Jennifer Kuan, 2888 Ramona St., Palo Alto, Calif. 94306

[**] Term: 14 Years

[21] Appl. No.: 27,390

[22] Filed: Aug. 19, 1994

[52] U.S. Cl. D6/536

[58] Field of Search D6/536-540; 206/77.1

4,391,427	7/1983	Foresman .
4,589,150	5/1986	Sciabarassi .
4,775,124	10/1988	Hicks .
4,993,546	2/1991	Southard .
5,029,802	7/1991	Ali .
5,105,485	4/1992	Sciabarassi .
5,181,606	1/1993	Martell .
5,242,064	9/1993	Martell .

Primary Examiner—Brian N. Vinson
Attorney, Agent, or Firm—Morrison & Foerster

[57] CLAIM

The ornamental design for a soap dish, as shown and described.

[56] References Cited

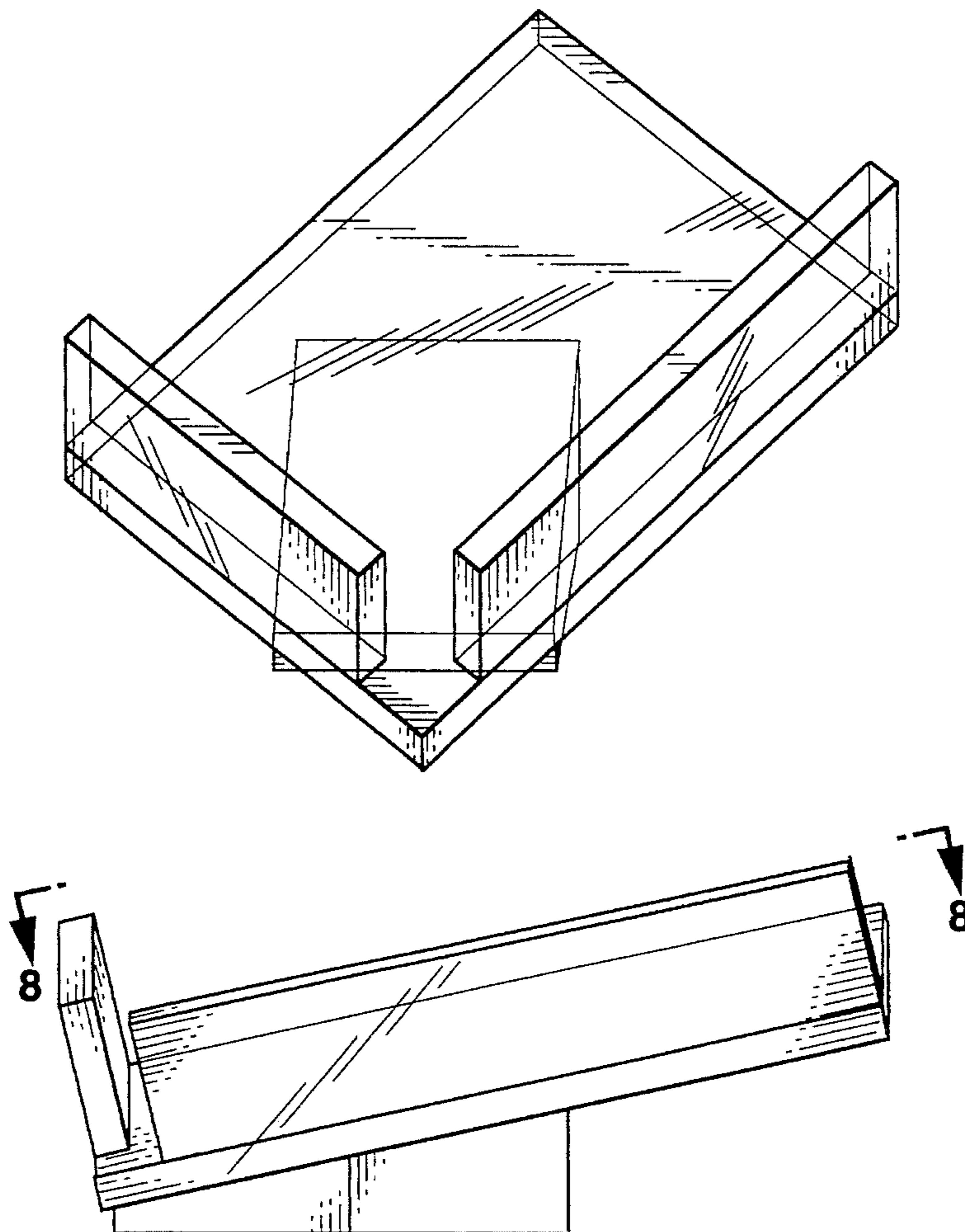
U.S. PATENT DOCUMENTS

D. 163,716	6/1951	Simmons .	
D. 201,000	5/1965	Kobrin	D6/536
216,368	12/1969	Love .	
239,749	5/1976	Rose .	
D. 252,841	9/1979	Kok .	
D. 276,292	11/1984	Rivera et al.	D6/536
1,221,939	4/1917	Wirth .	
1,742,886	1/1930	Warman .	
2,490,657	12/1949	Shuman .	
2,903,129	9/1959	Anderson .	
3,019,548	2/1962	Nadler .	
3,899,073	8/1975	Barr .	
3,910,661	10/1975	Geary	206/77.1 X

DESCRIPTION

FIG. 1 is a perspective view of a soap dish showing my new design;
FIG. 2 is a top elevation thereof;
FIG. 3 is a front elevation thereof;
FIG. 4 is a side elevation thereof;
FIG. 5 is a rear elevation thereof;
FIG. 6 is another side elevation thereof;
FIG. 7 is a bottom elevation thereof; and,
FIG. 8 is a top plan view thereof.

1 Claim, 2 Drawing Sheets



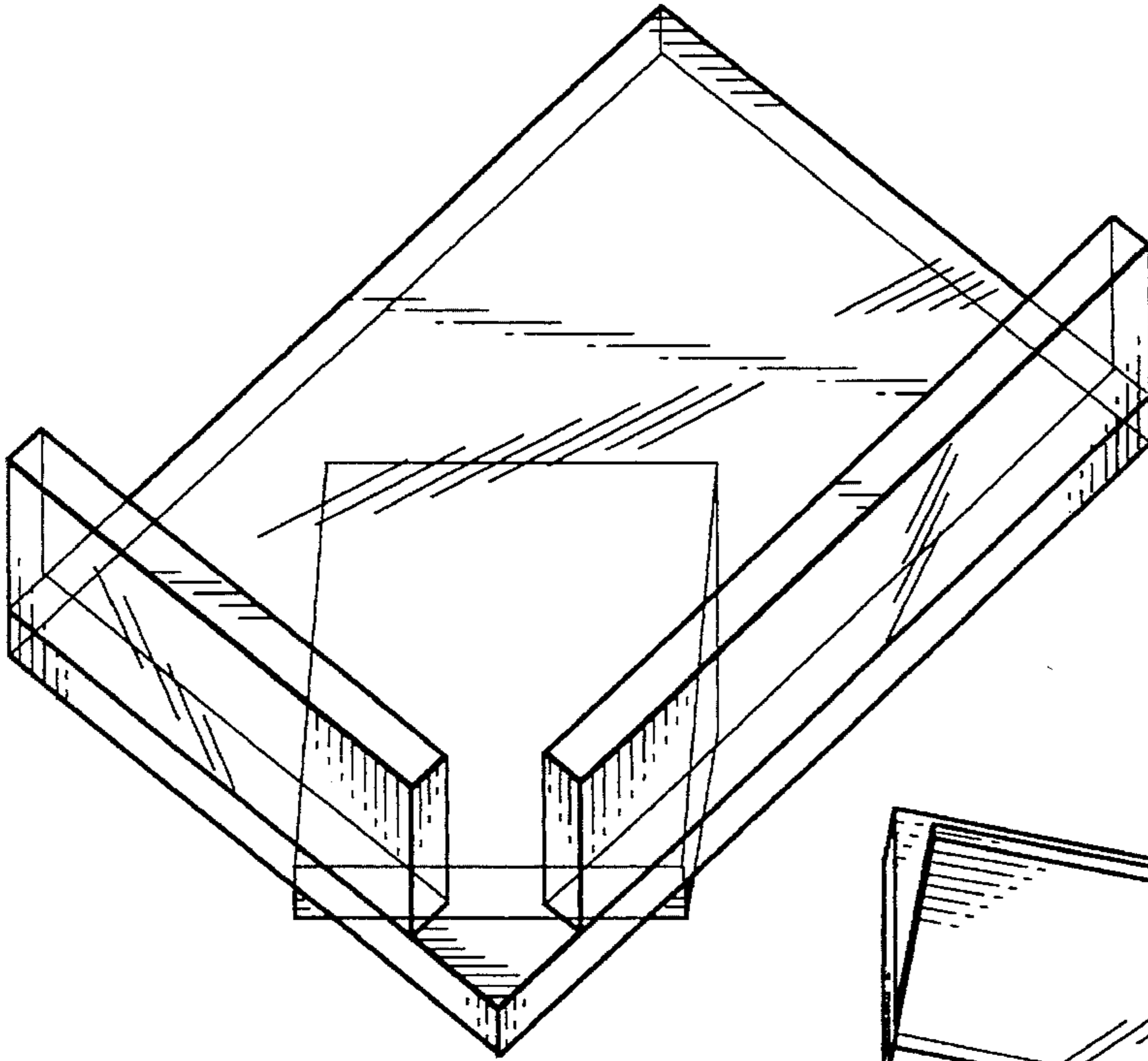


FIG. 1

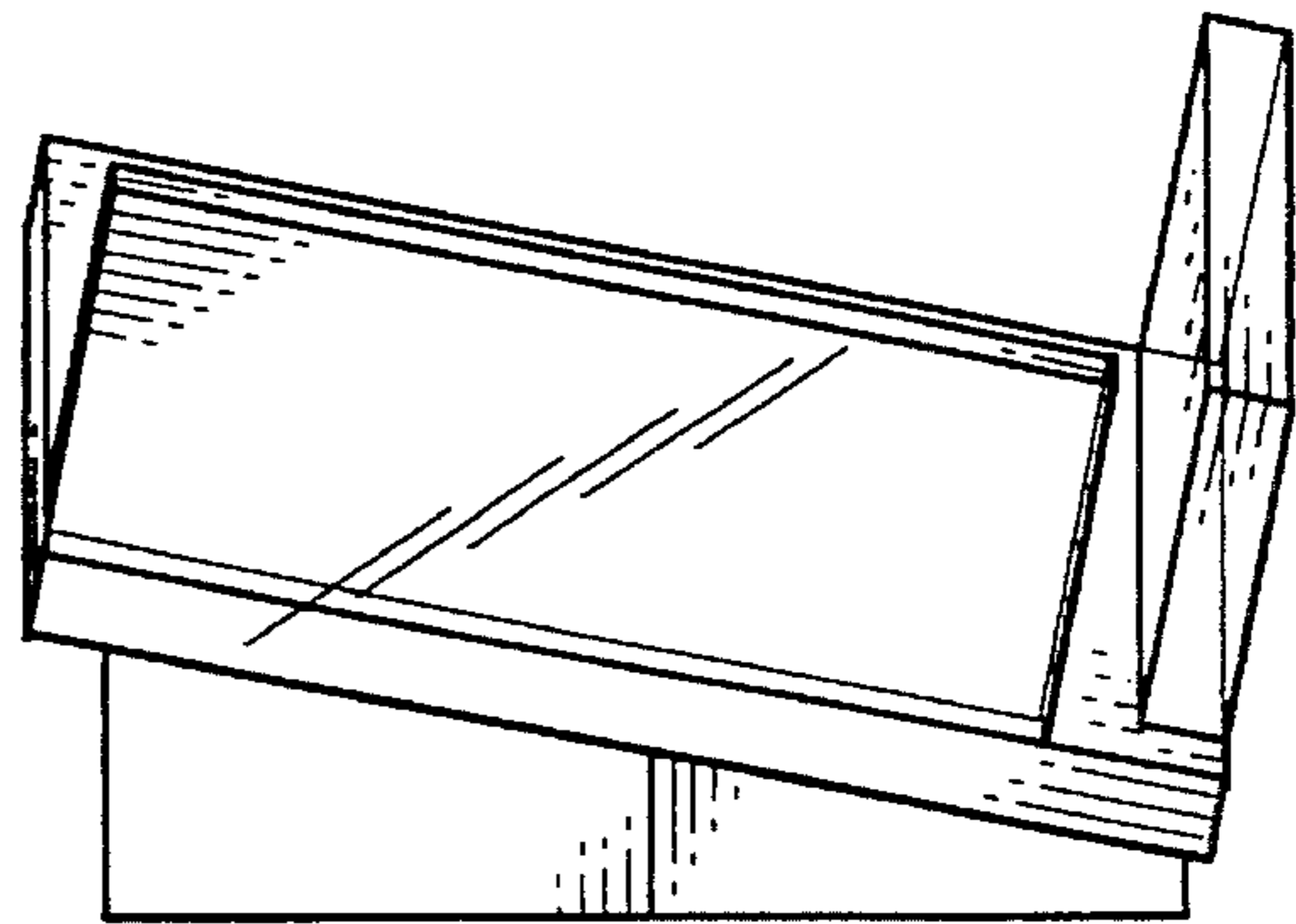


FIG. 3

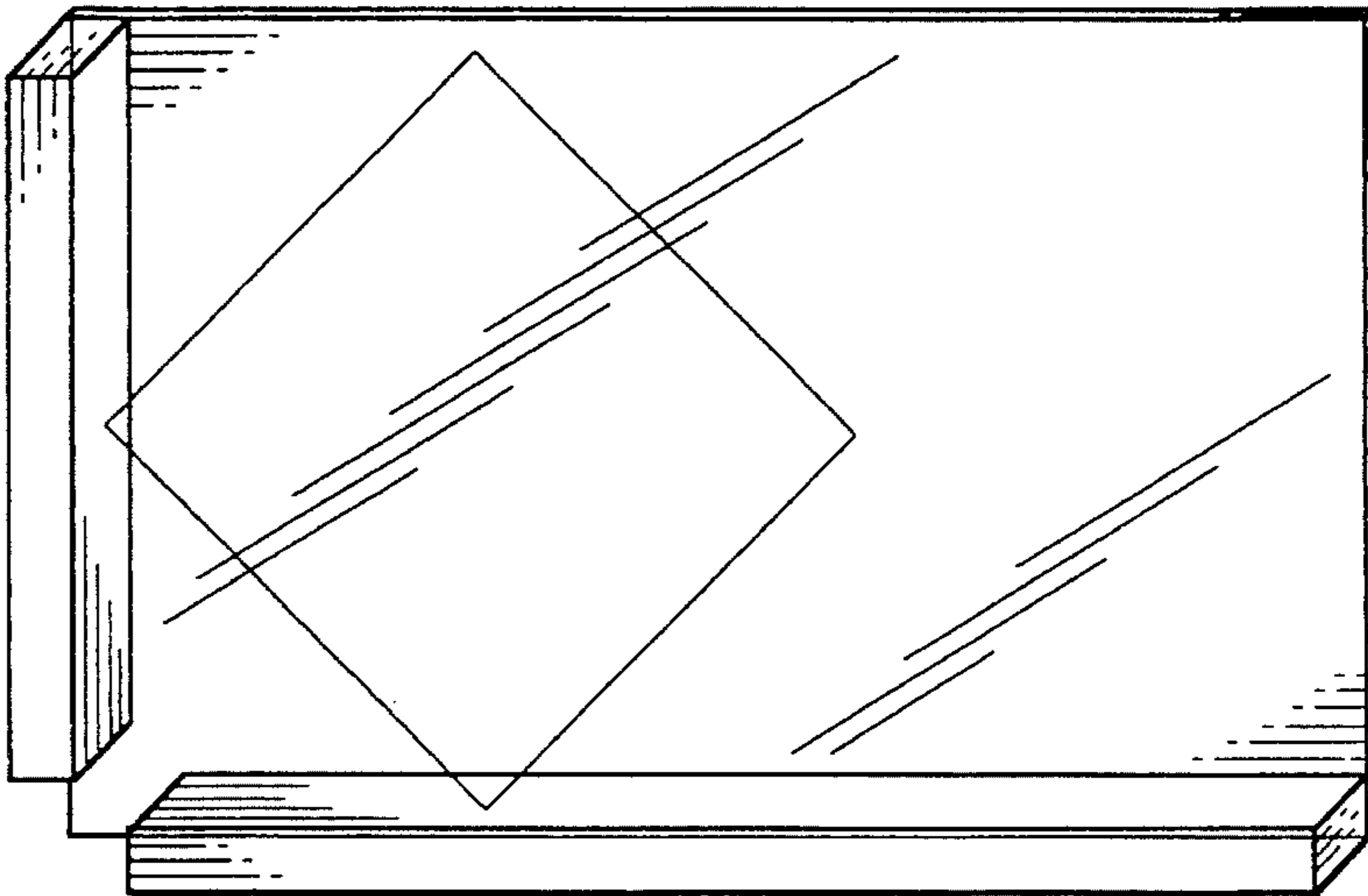


FIG. 2

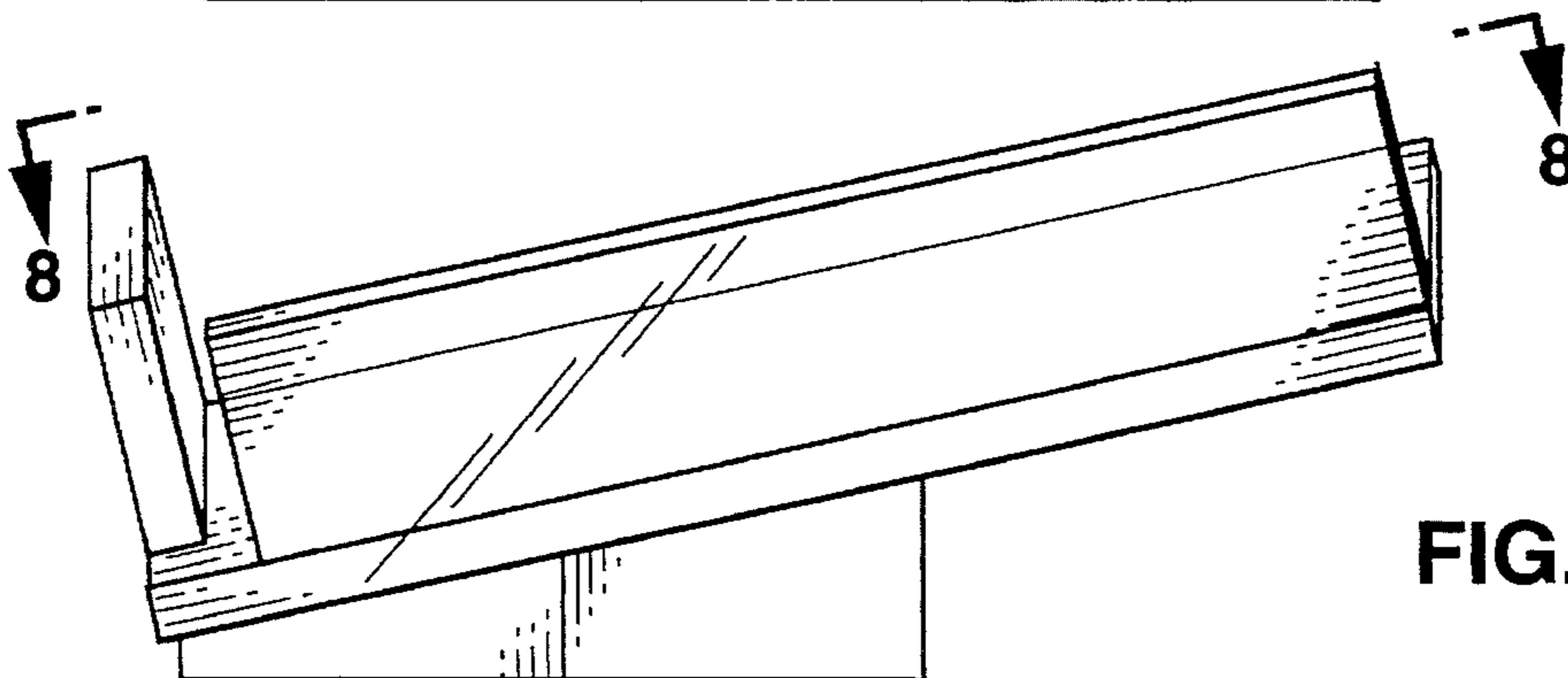


FIG. 4

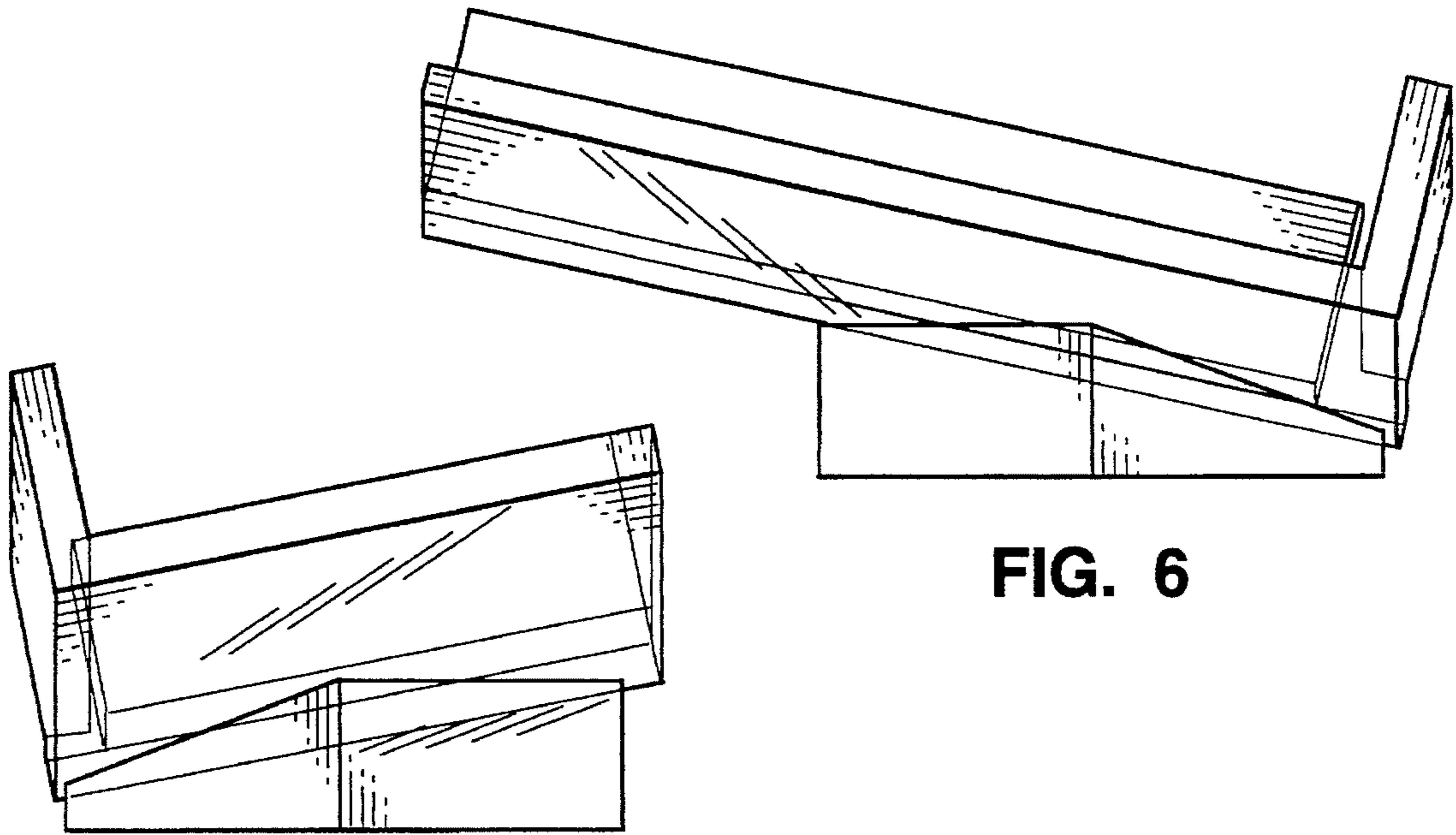


FIG. 5

FIG. 6

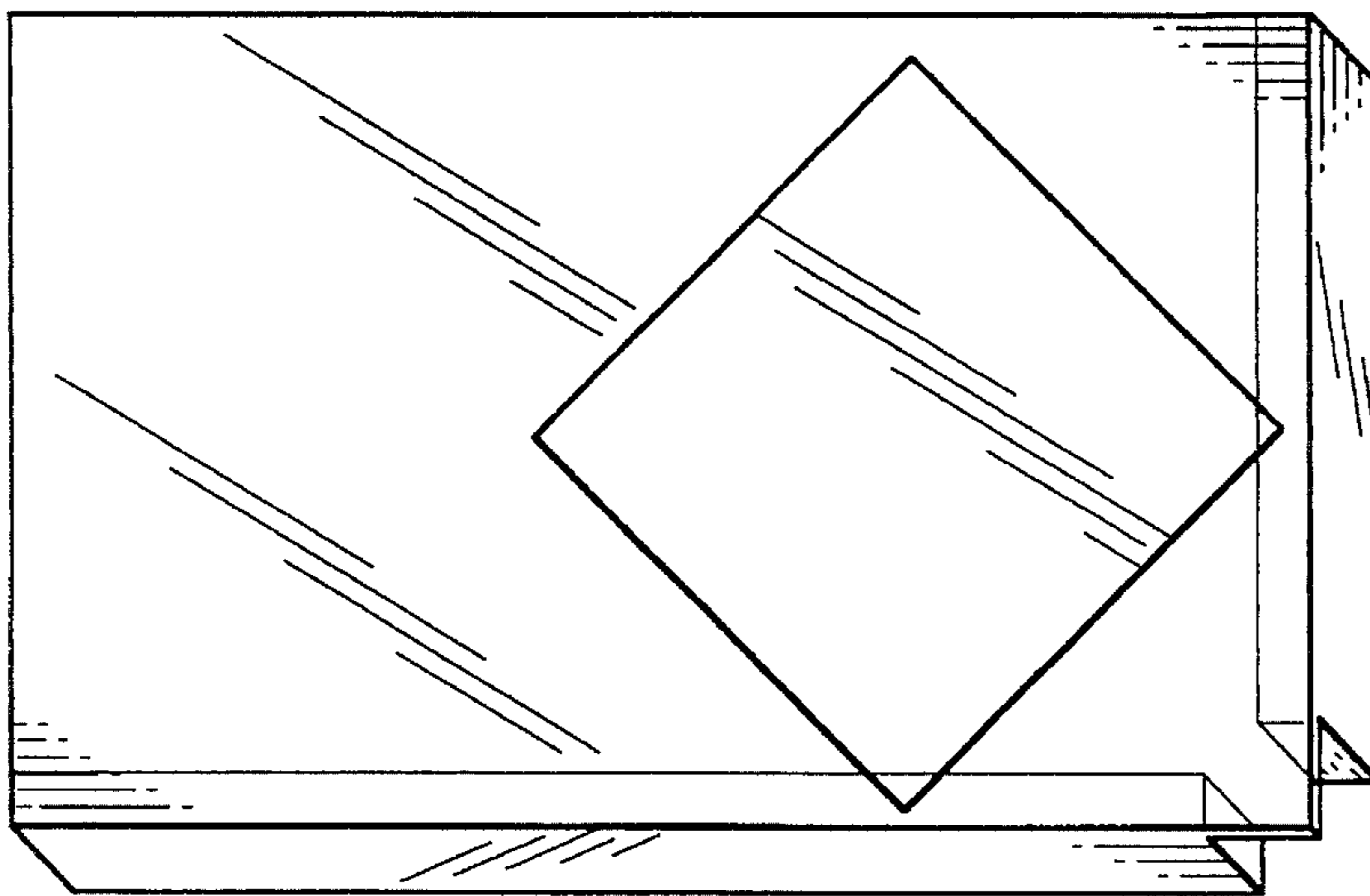


FIG. 7

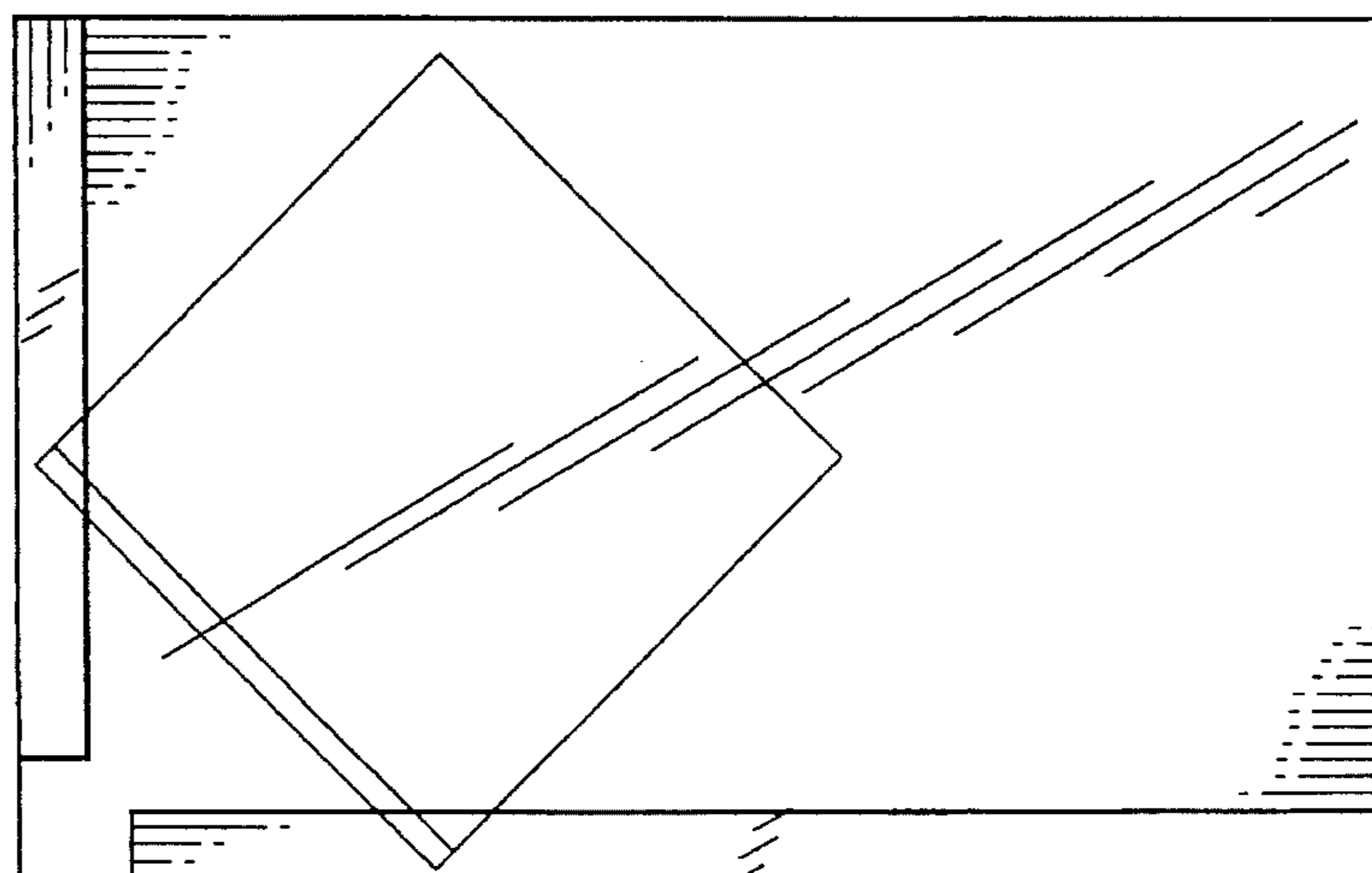


FIG. 8