



US00D362985S

# United States Patent [19]

[11] Patent Number: **Des. 362,985**

Hatcher

[45] Date of Patent: **\*\*\* Oct. 10, 1995**

[54] **MOUSE DRAWER MOUNTABLE TO THE UNDERSIDE OF A DESK**

D. 333,300 2/1993 Hatcher ..... D14/114  
D. 344,652 3/1994 Hatcher .  
2,757,999 8/1956 DeLyle ..... 312/208.1 X

[75] Inventor: **David M. Hatcher**, Buffalo, N.Y.

### OTHER PUBLICATIONS

[73] Assignee: **Posting Equipment Corporation**, Buffalo, N.Y.

Bretford Product Guide, Feb. 1989, p. 13.

[\*] Notice: The portion of the term of this patent subsequent to Mar. 1, 2008 has been disclaimed.

*Primary Examiner*—Janice E. Seeger

*Attorney, Agent, or Firm*—Hodgson, Russ, Andrews, Woods & Goodyear

[\*\*] Term: **14 Years**

### [57] CLAIM

The ornamental design for a mouse drawer mountable to the underside of a desk, as shown and described.

[21] Appl. No.: **15,715**

### DESCRIPTION

[22] Filed: **Nov. 24, 1993**

### Related U.S. Application Data

[63] Continuation-in-part of Ser. No. 934,008, Aug. 21, 1992, Pat. No. Des. 344,652.

[52] U.S. Cl. .... **D6/510**; D6/511

[58] Field of Search ..... D6/491, 510, 511, D6/509; D14/114; 108/42-46; 312/208.1, 208.2, 208.4, 330.1

FIG. 1 is a front elevational view of a mouse drawer mountable to the underside of a desk, showing my new design;

FIG. 2 is a rear elevation view thereof;

FIG. 3 is a top plan view thereof;

FIG. 4 is a left side elevational view thereof;

FIG. 5 is a bottom view thereof;

FIG. 6 is a right side elevational view thereof, the mouse drawer shelf shown extended from the front side;

FIG. 7 is a perspective view thereof; and,

FIG. 8 is a perspective view thereof, the mouse drawer shelf shown extended from the front side.

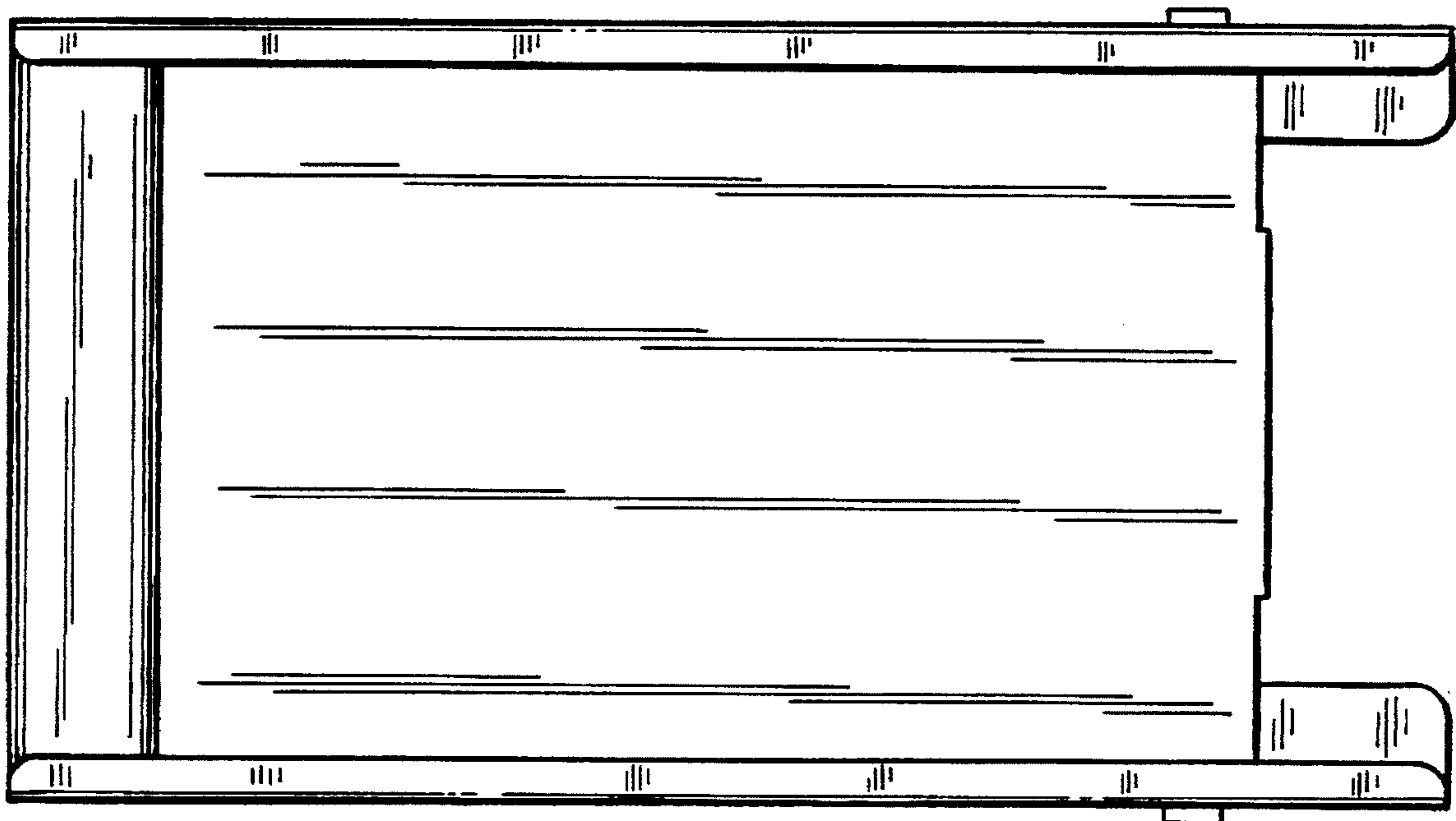
The broken lines, showing a desk in FIG. 1, are for illustrative purposes only and form no part of the claimed design.

### [56] References Cited

#### U.S. PATENT DOCUMENTS

D. 287,678 1/1987 Hatcher et al. .... D14/114 X  
D. 316,710 5/1991 Drake et al. .... D14/114  
D. 330,892 11/1992 Hassel et al. .... D14/114

**1 Claim, 4 Drawing Sheets**



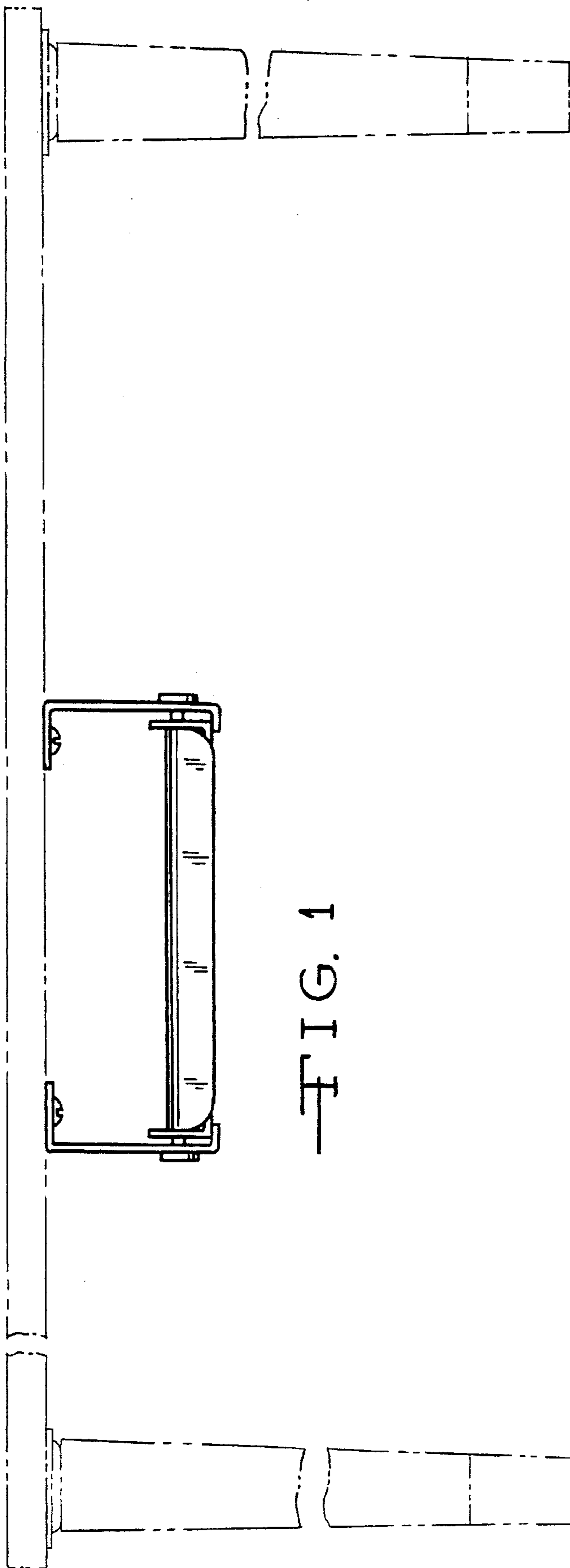


FIG. 1

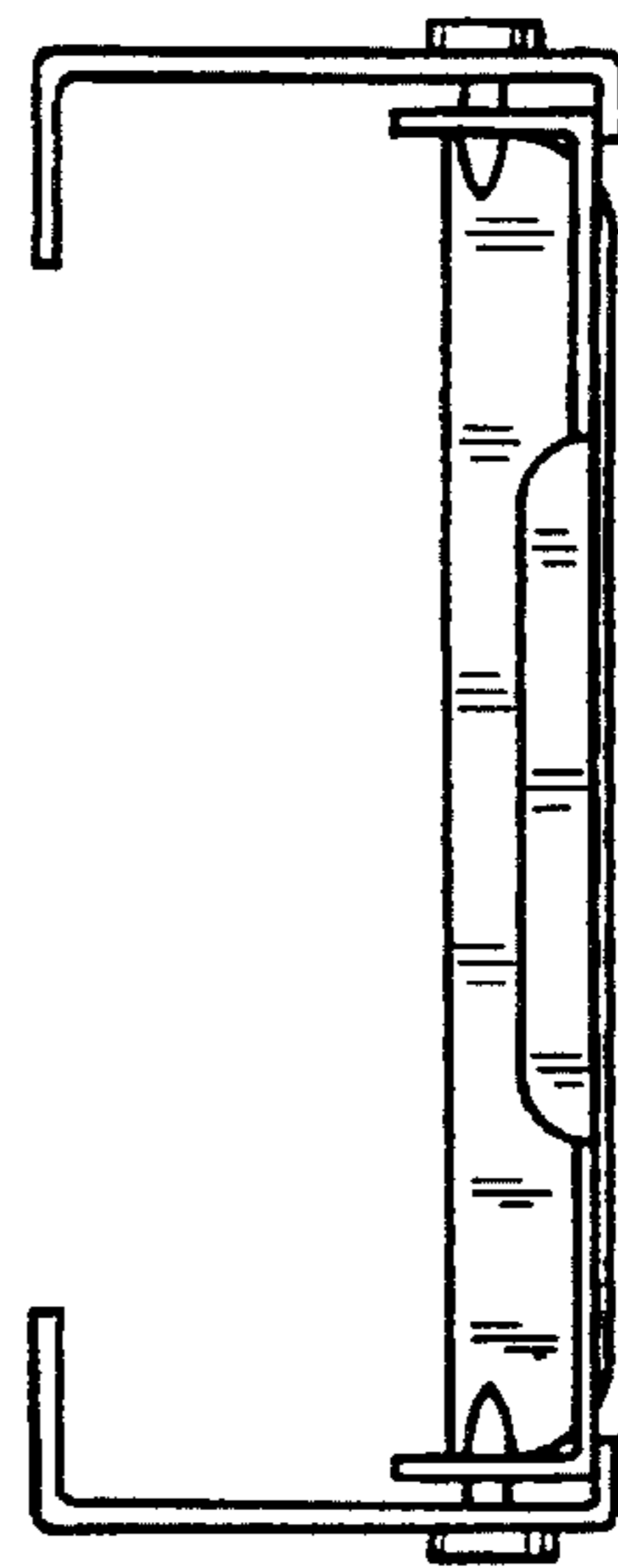


FIG. 2

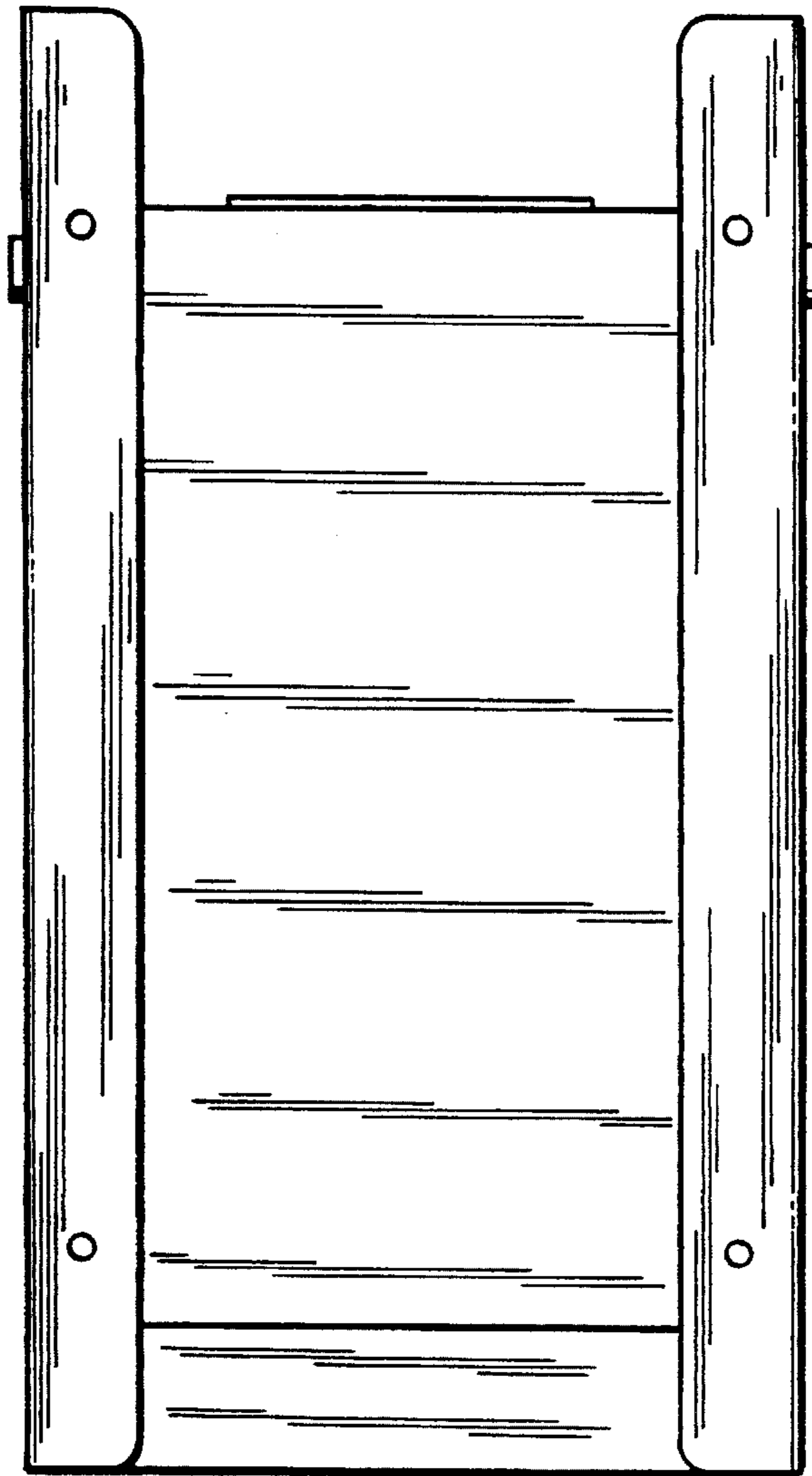


FIG. 3

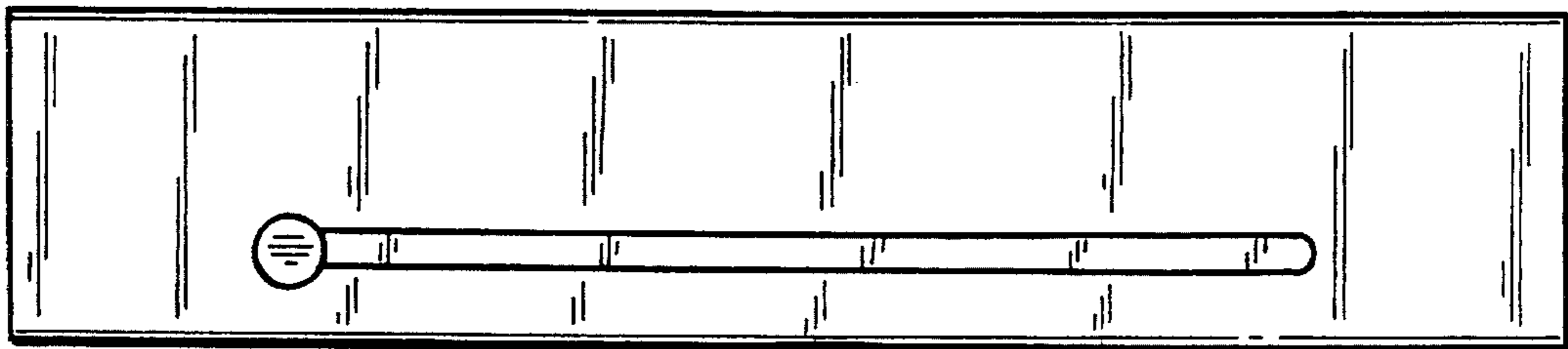


FIG. 4

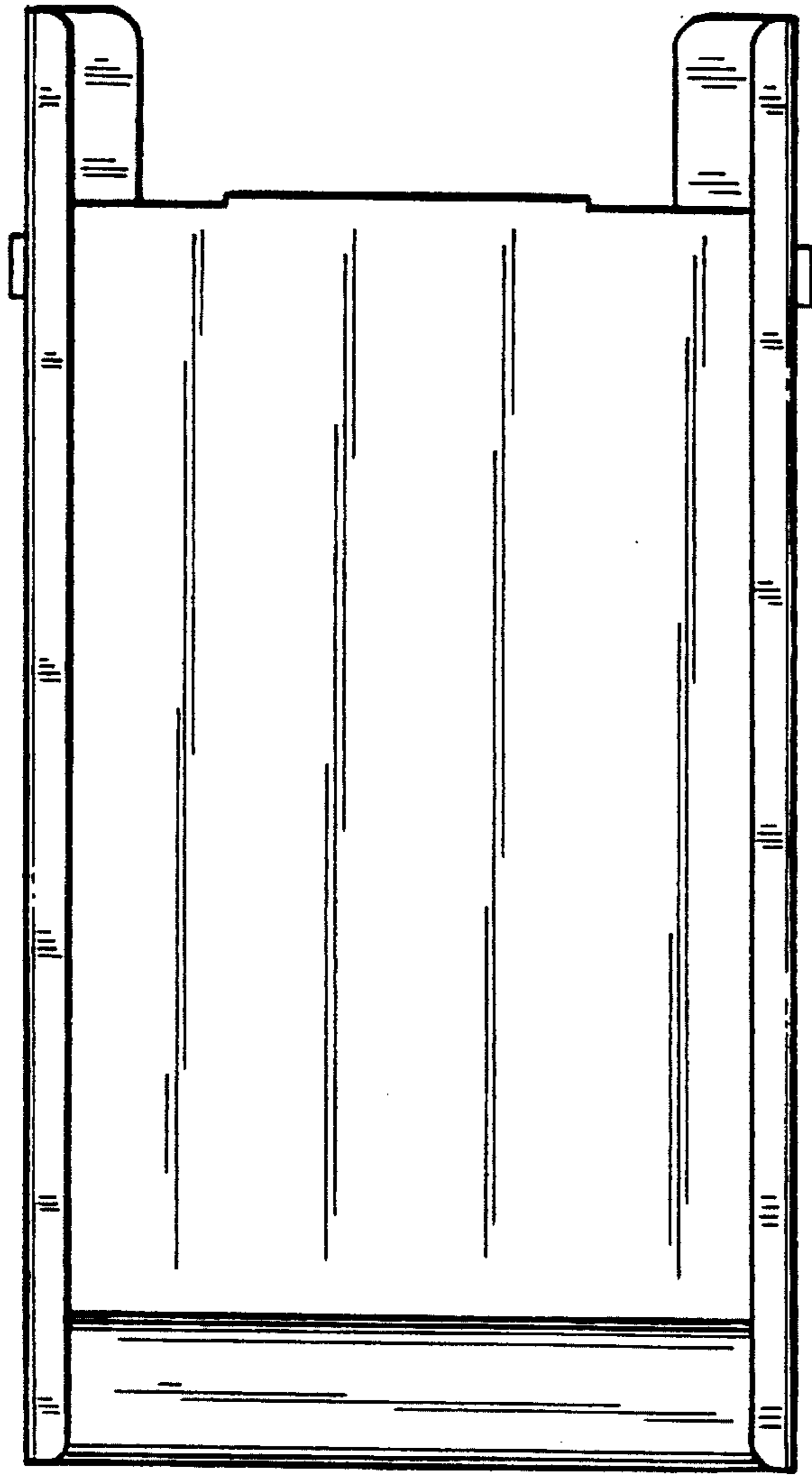


FIG. 5

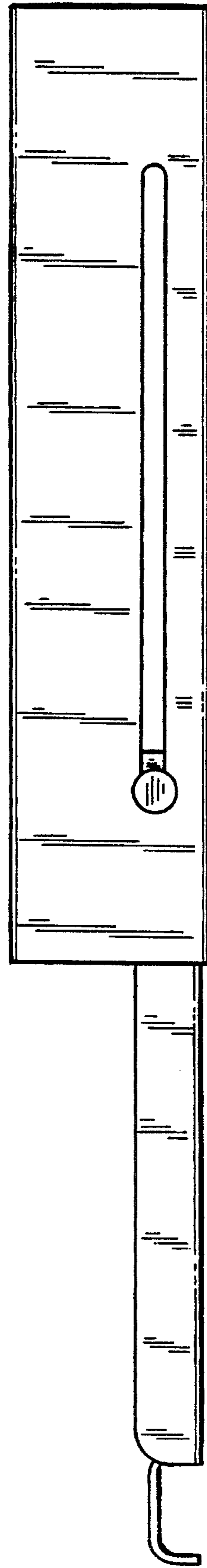


FIG. 6

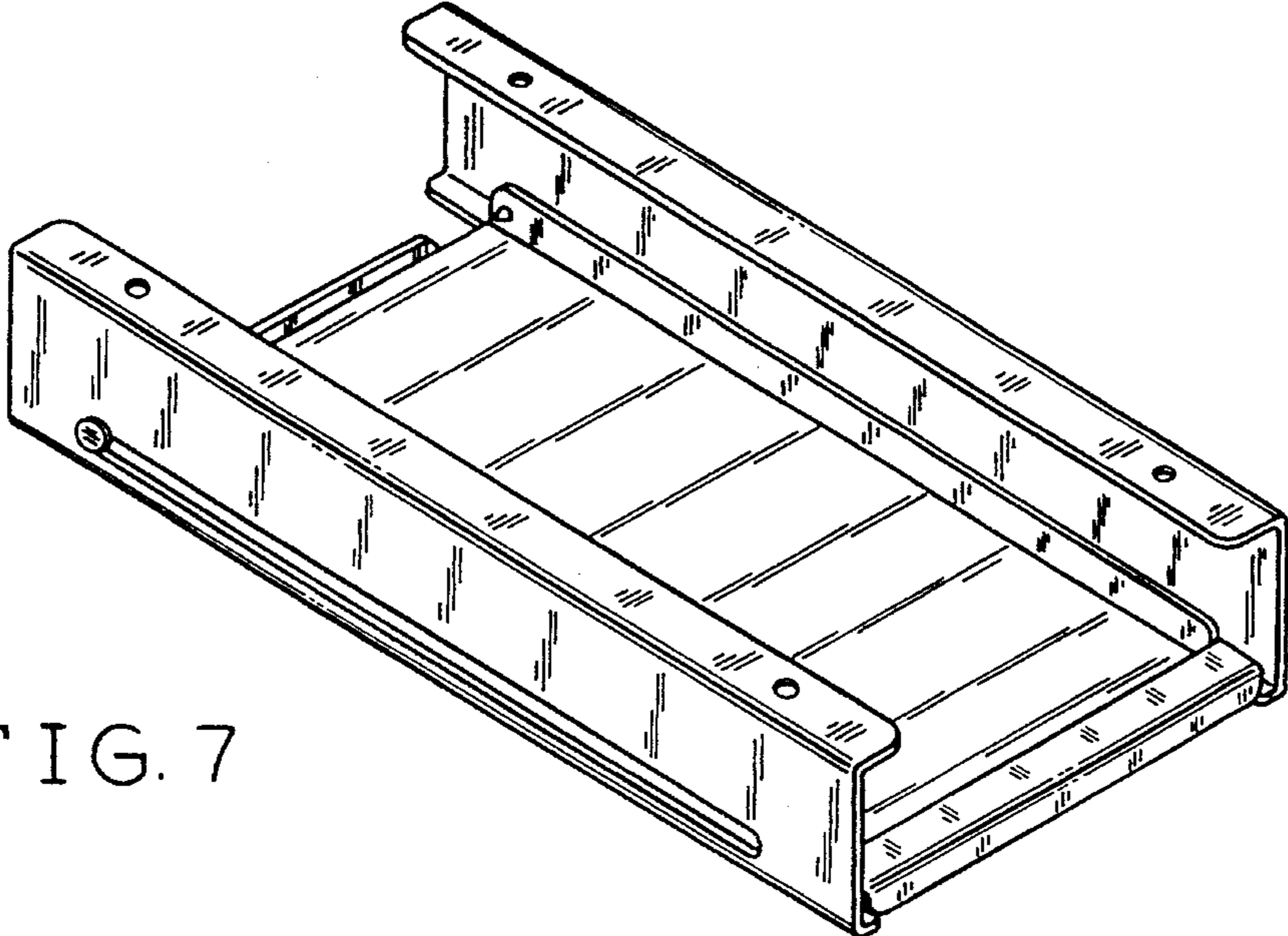


FIG. 7

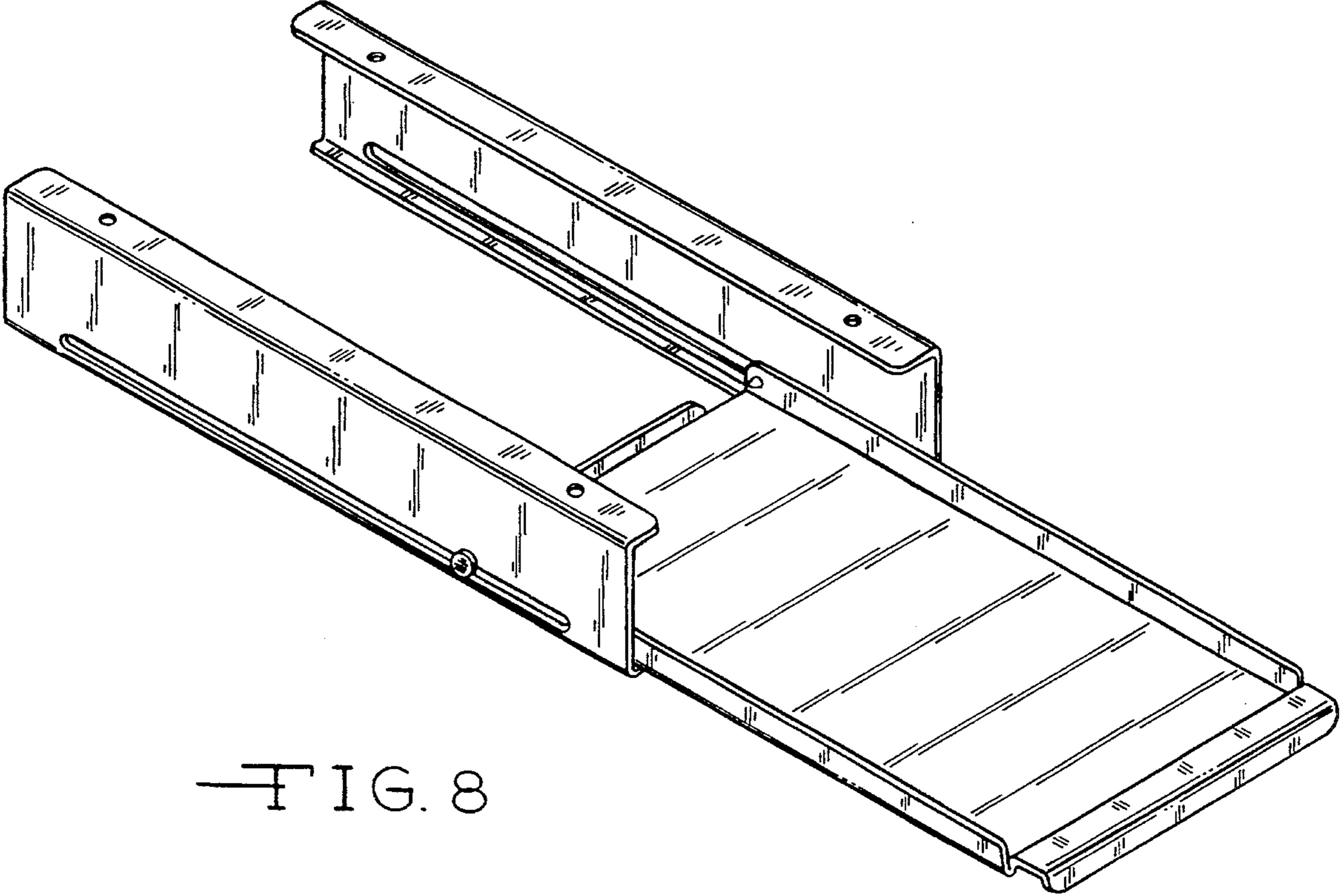


FIG. 8