



US00D362983S

# United States Patent [19]

[11] Patent Number: **Des. 362,983**

**Magnusson**

[45] Date of Patent: **\*\*Oct. 10, 1995**

[54] TABLE

[75] Inventor: **Carl G. Magnusson**, New York, N.Y.

[73] Assignee: **Westinghouse Electric Corporation**, Pittsburgh, Pa.

[\*\*] Term: **14 Years**

[21] Appl. No.: **18,154**

[22] Filed: **Jan. 31, 1994**

[52] U.S. Cl. .... **D6/480; D6/488**

[58] Field of Search ..... D6/480-489, 495, D6/497, 498, 499, 349, 352, 406; 108/155, 156, 161; 248/188, 188.1

[56] **References Cited**

**U.S. PATENT DOCUMENTS**

D. 266,547	10/1982	Offredi	.....	D6/485
D. 281,178	10/1985	Brockenshire	.....	D6/484 X
D. 309,683	8/1990	Solomon et al.	.....	D6/450
1,716,694	6/1929	Hanter	.....	248/188

**OTHER PUBLICATIONS**

Cass Toys—1972-73, p. 11 table at bottom right.  
Grosfdille Contract, 2nd from bottom & center, outdoor  
Furn Box.

*Primary Examiner*—Janice E. Seeger  
*Attorney, Agent, or Firm*—Carla J. Vrsansky

[57] **CLAIM**

The ornamental design for a table, as shown and described.

**DESCRIPTION**

FIG. 1 is a perspective view of a table showing my new design;

FIG. 2 is a top plan view thereof;

FIG. 3 is a front elevational view thereof, the rear elevational view being a mirror image thereof;

FIG. 4 is a right side elevational view thereof taken at an angle so as to view all four of the legs;

FIG. 5 is a left side elevational view thereof taken at an angle so as to view all four of the legs;

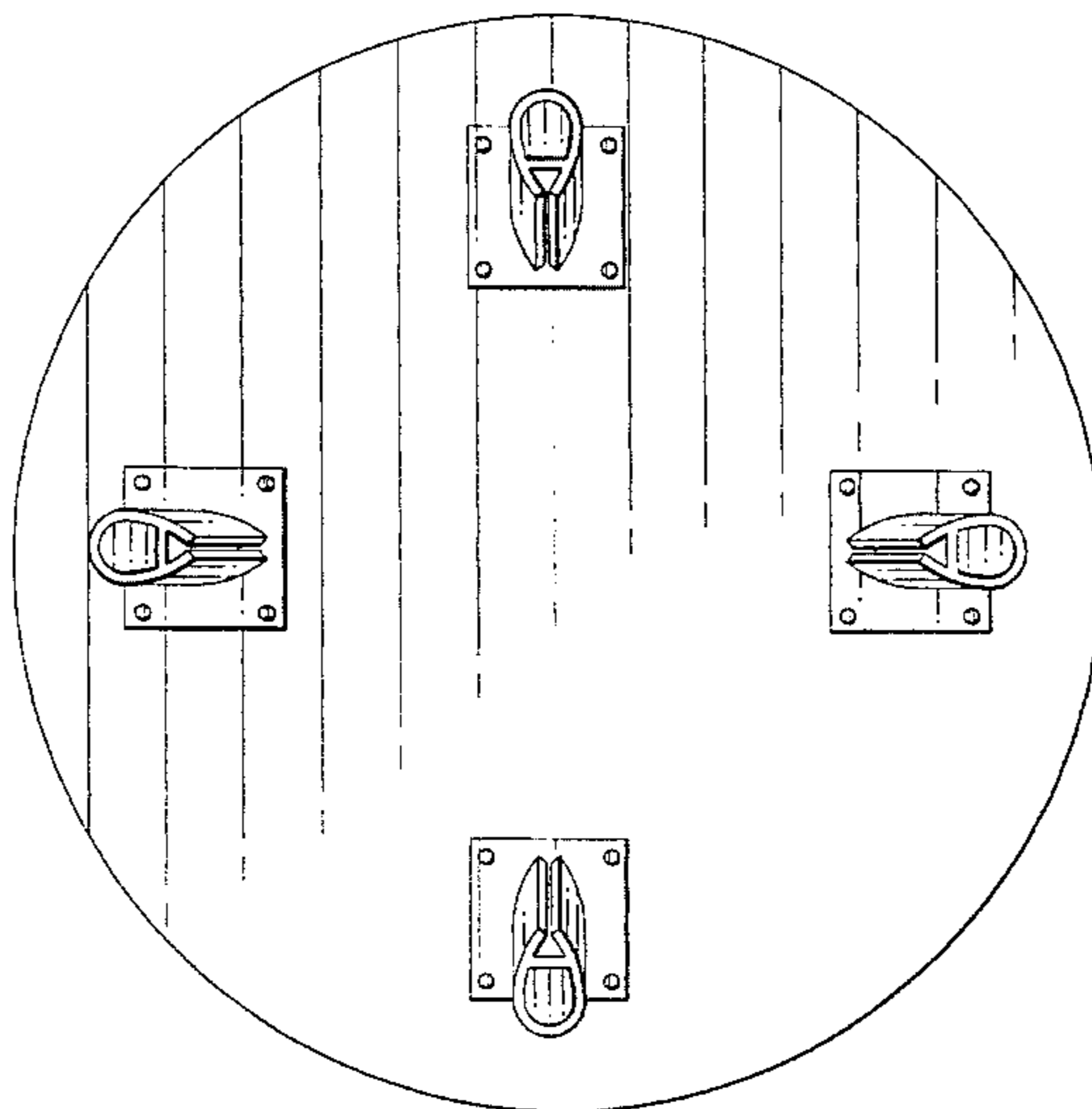
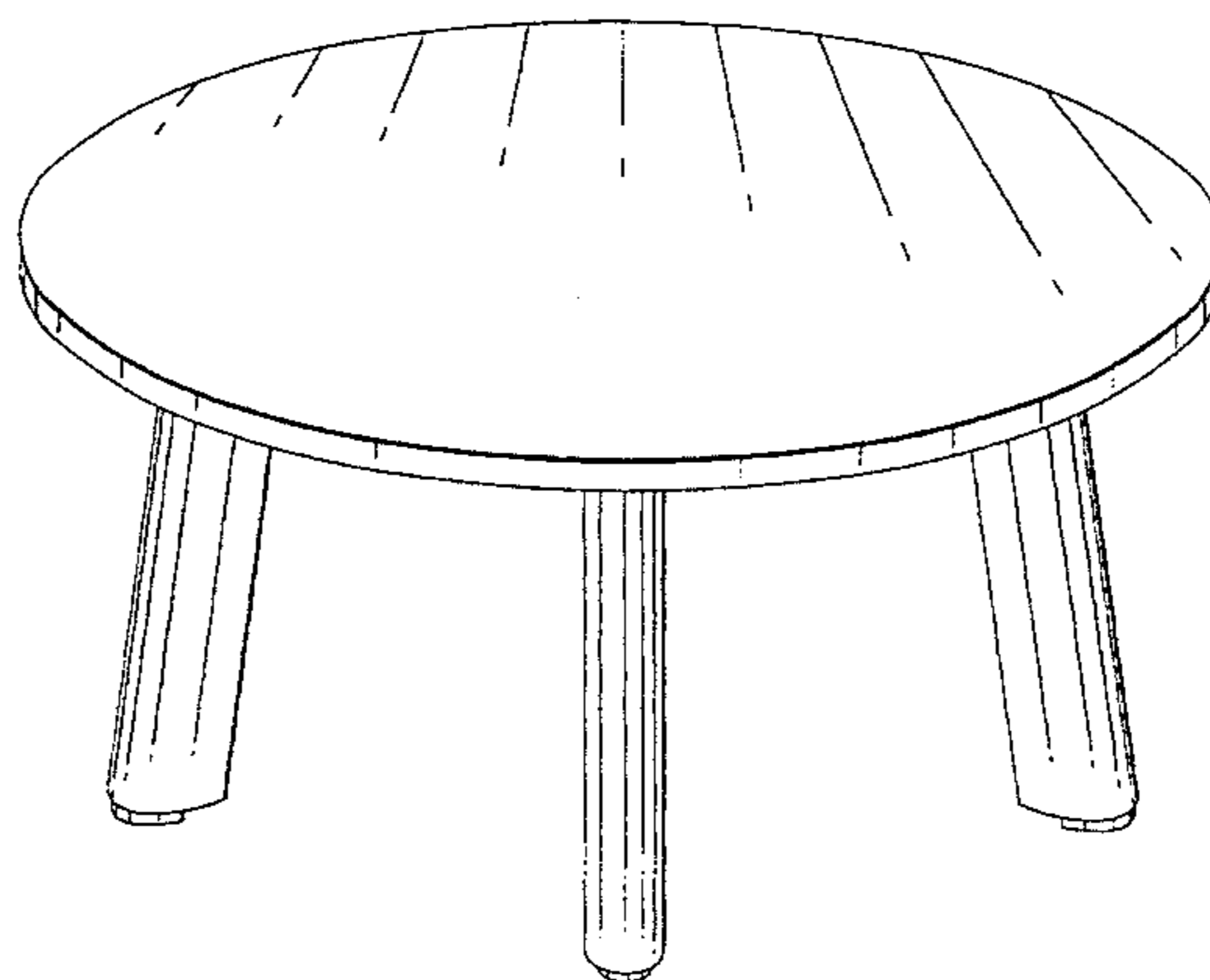
FIG. 6 is a bottom plan view thereof;

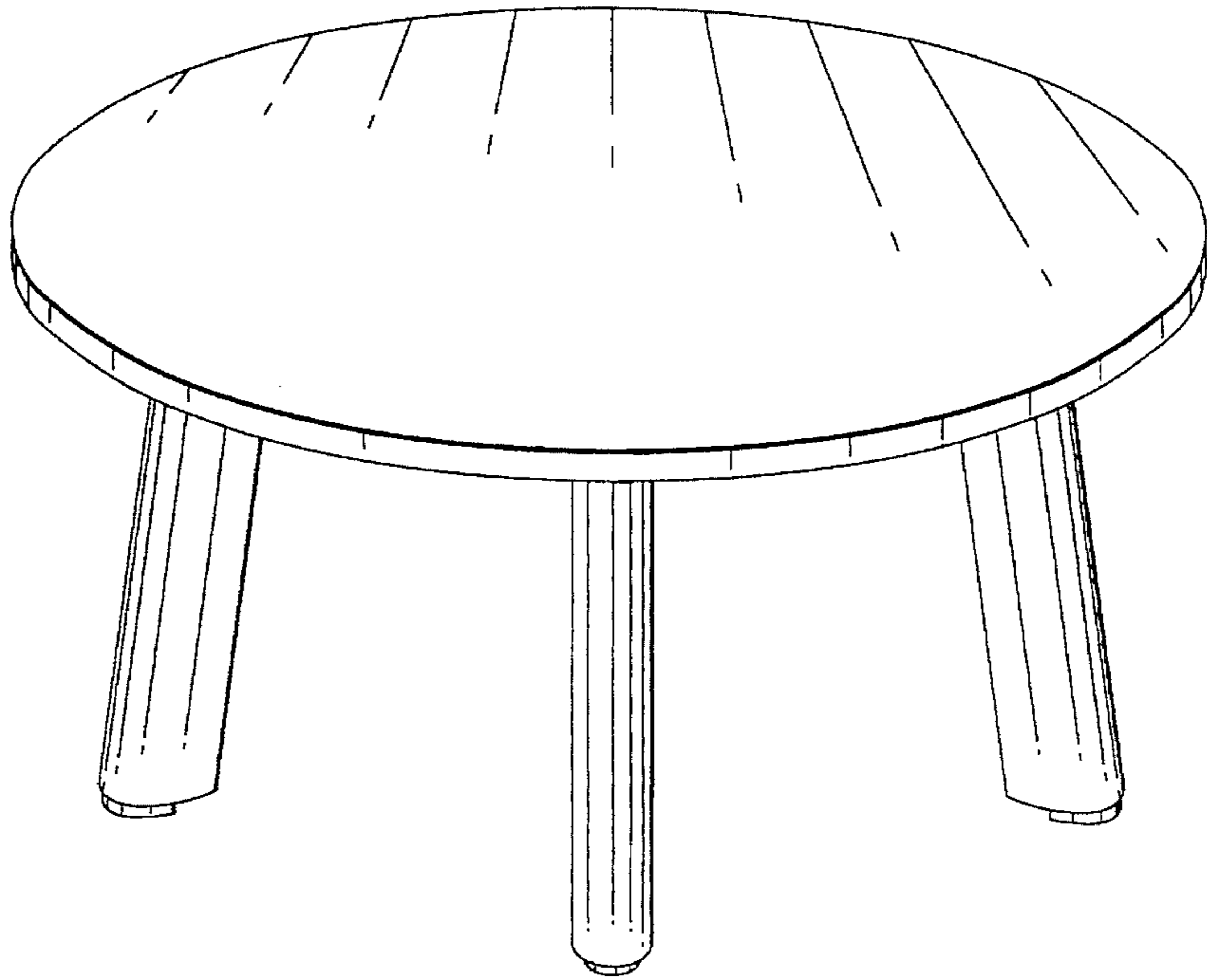
FIG. 7 is a sectional view of the table edge of an alternate embodiment taken from FIG. 5 thereof;

FIG. 8 is a sectional view of the table edge of a second alternate embodiment taken from FIG. 5 thereof; and,

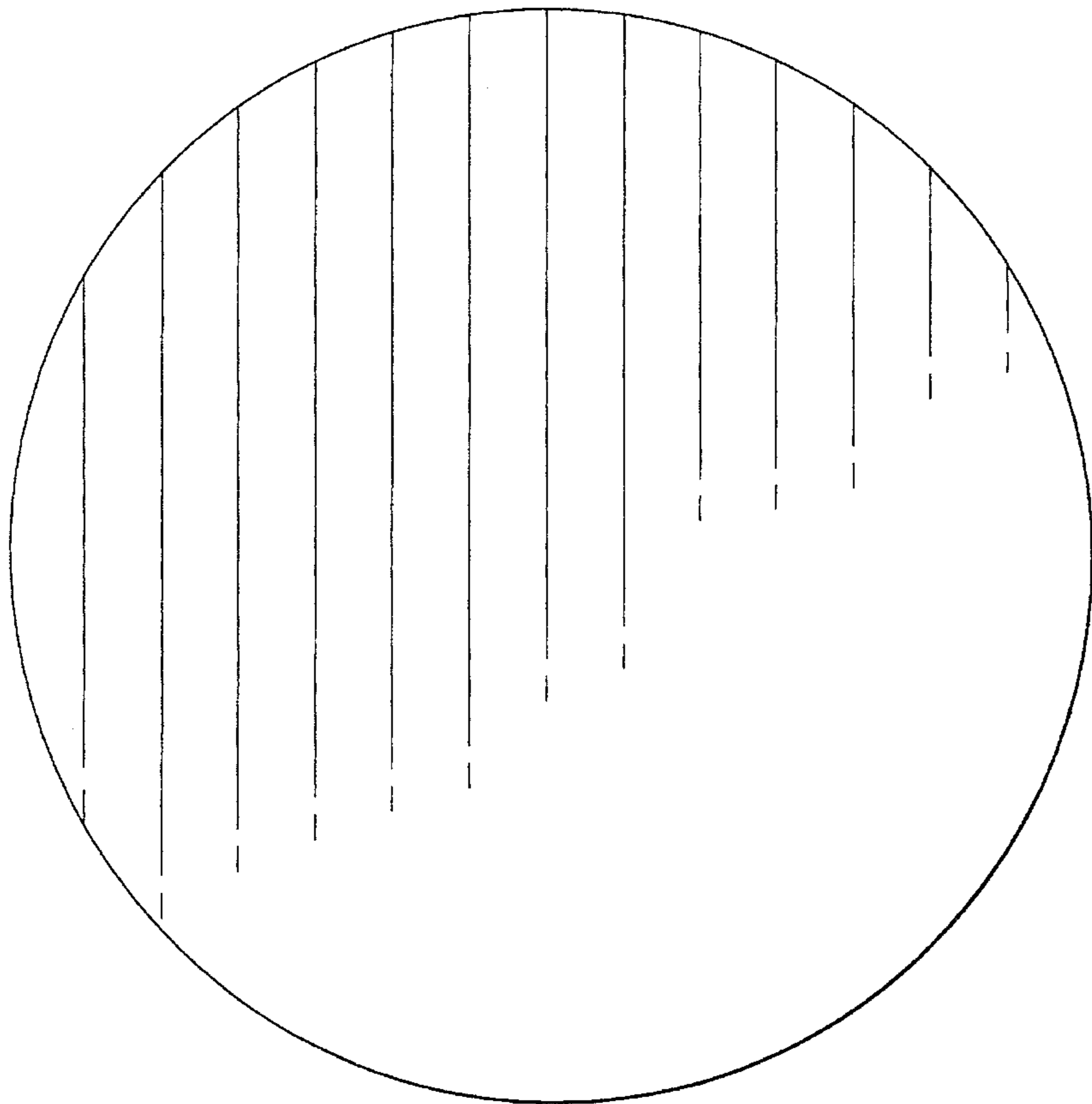
FIG. 9 is a sectional view of the table edge of a third alternate embodiment taken from FIG. 5 thereof.

**1 Claim, 4 Drawing Sheets**

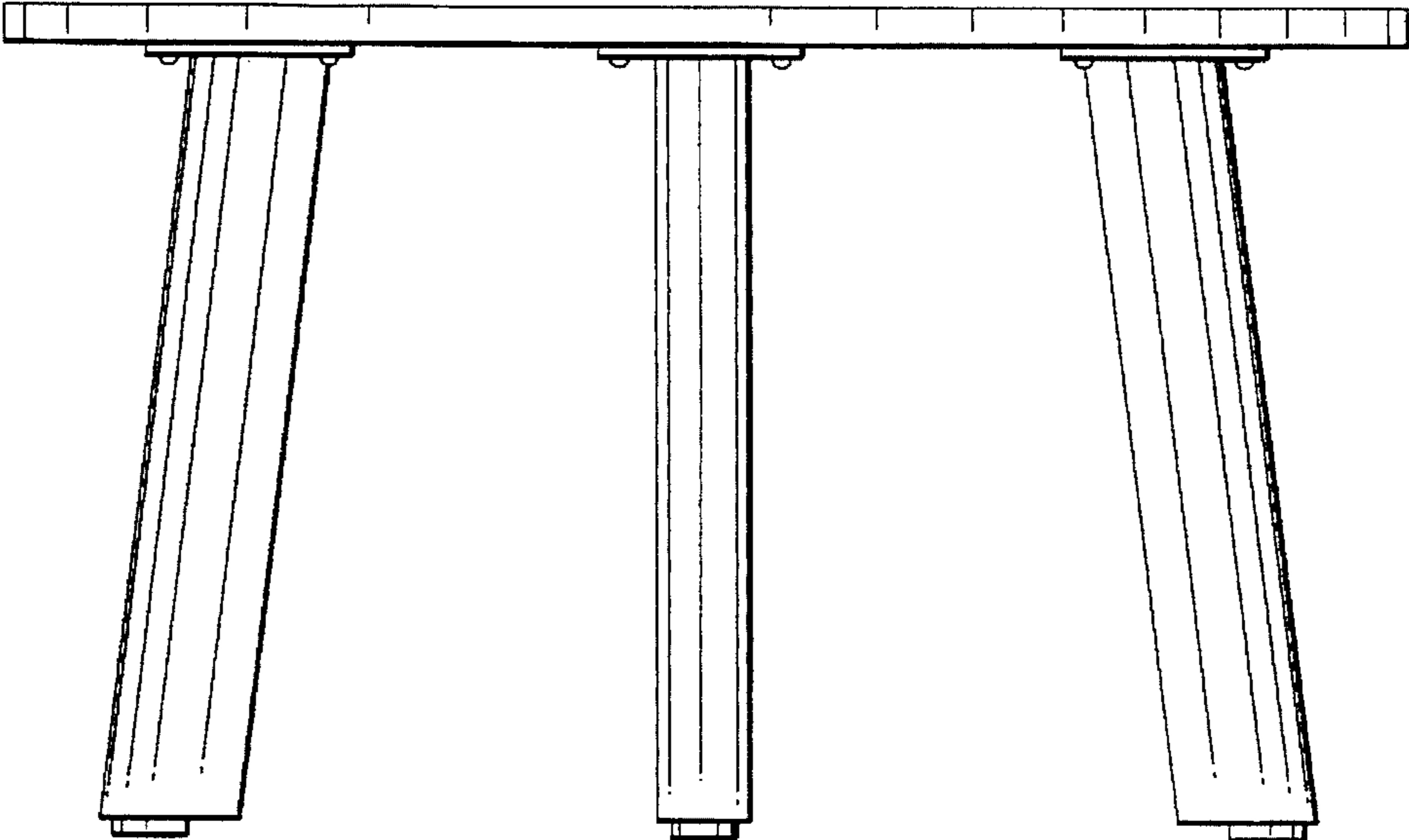




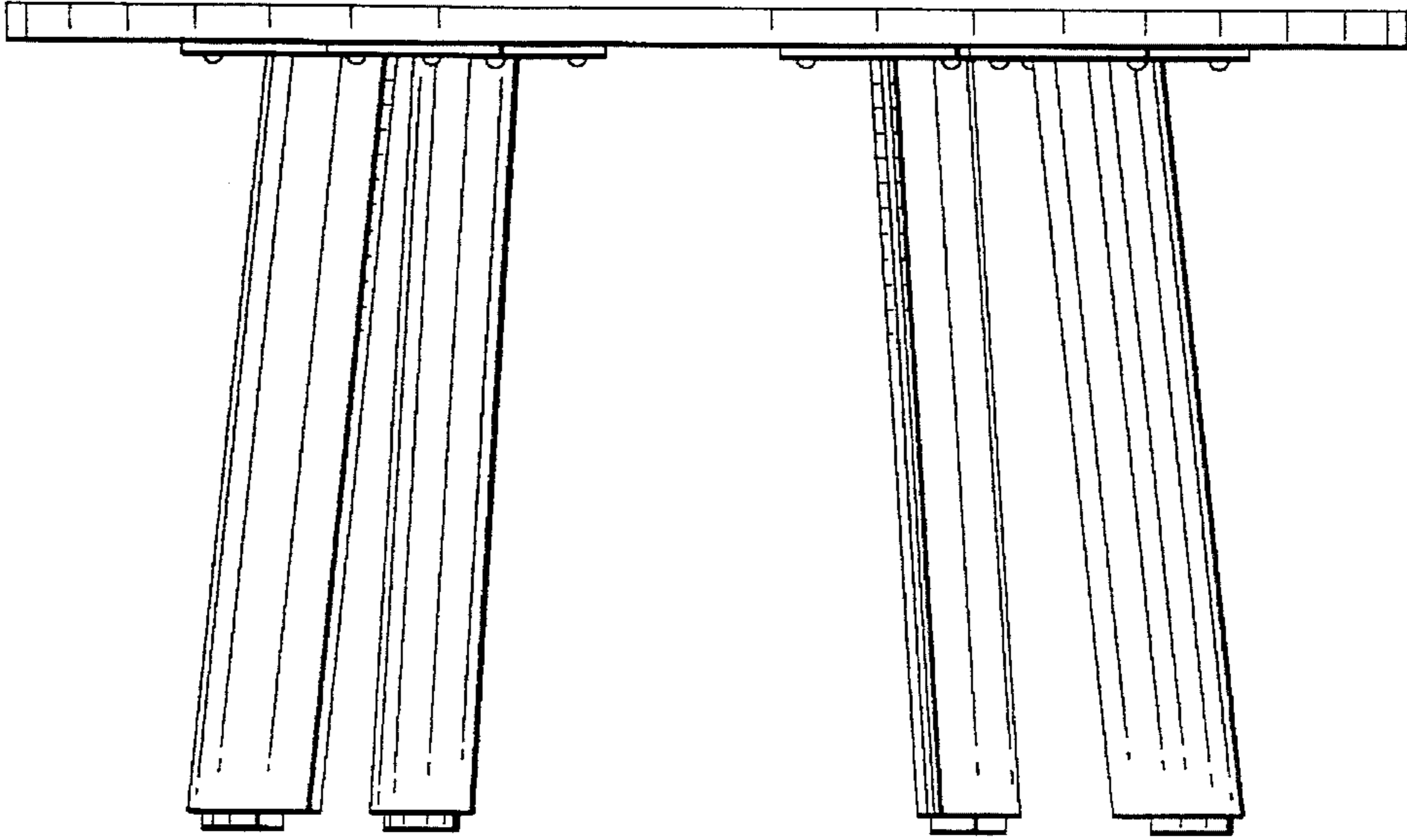
**FIG. 1**



**FIG. 2**



**FIG. 3**



**FIG. 4**

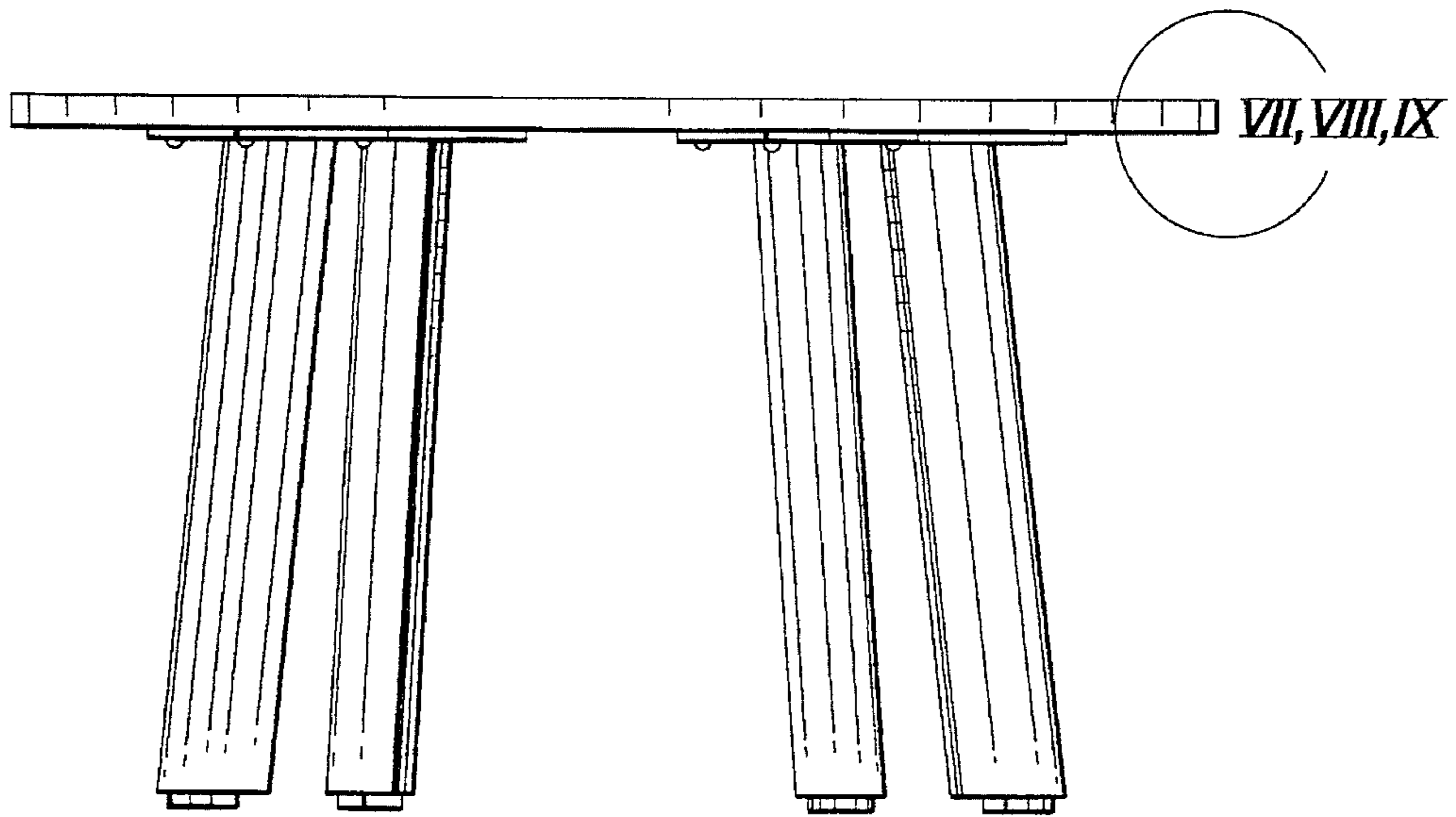


FIG. 5

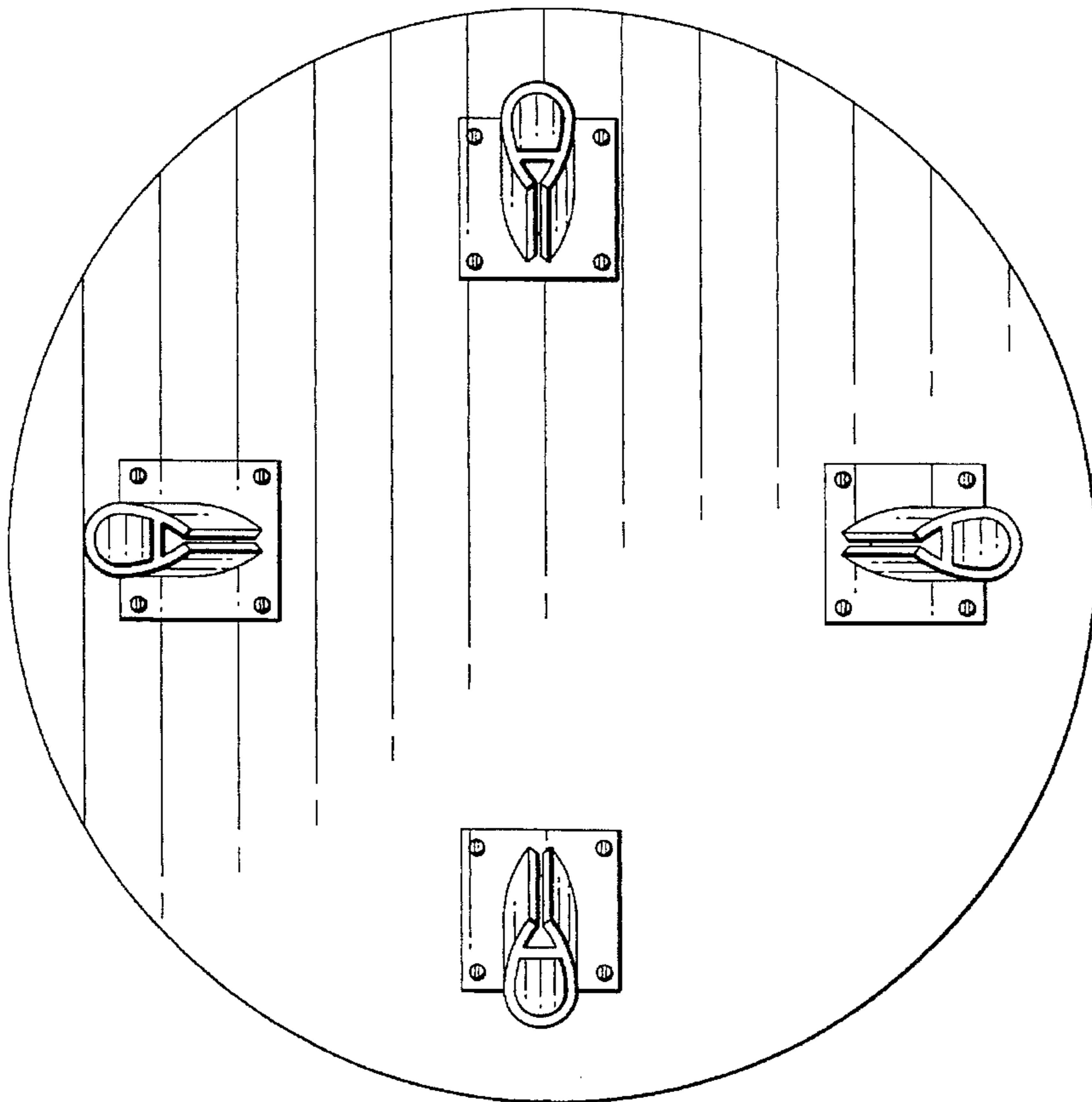
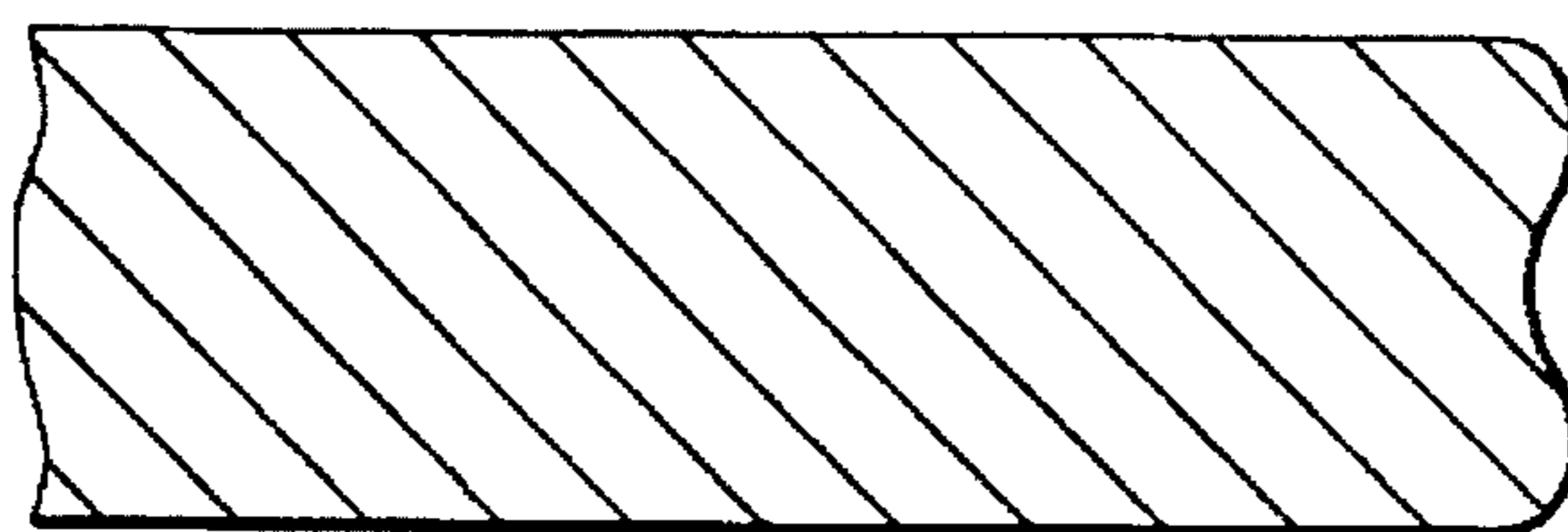
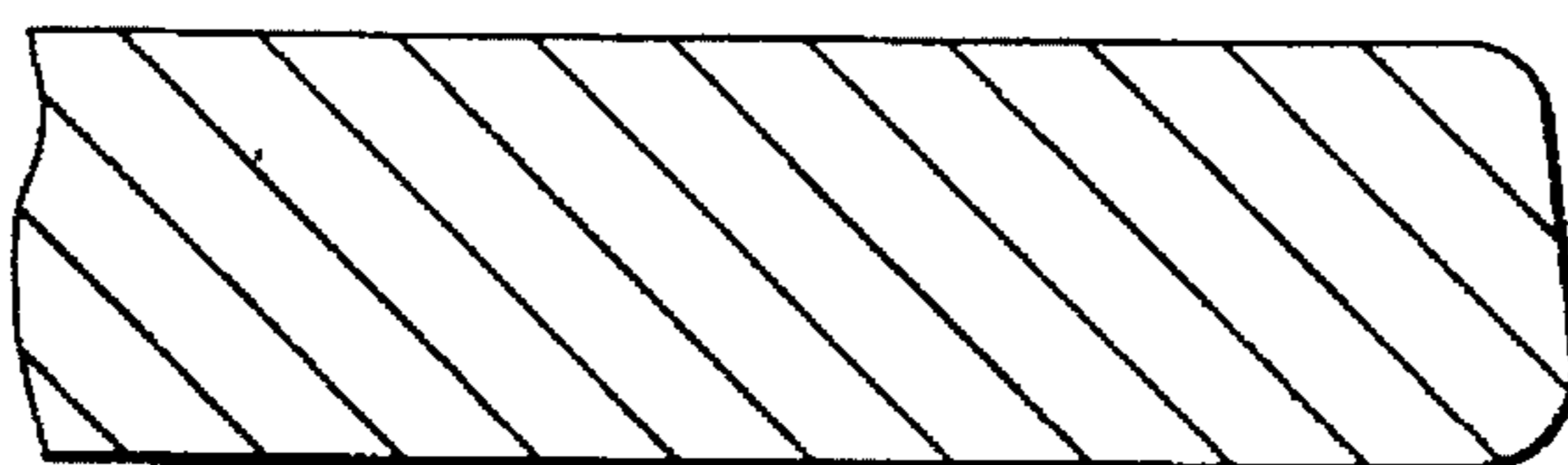


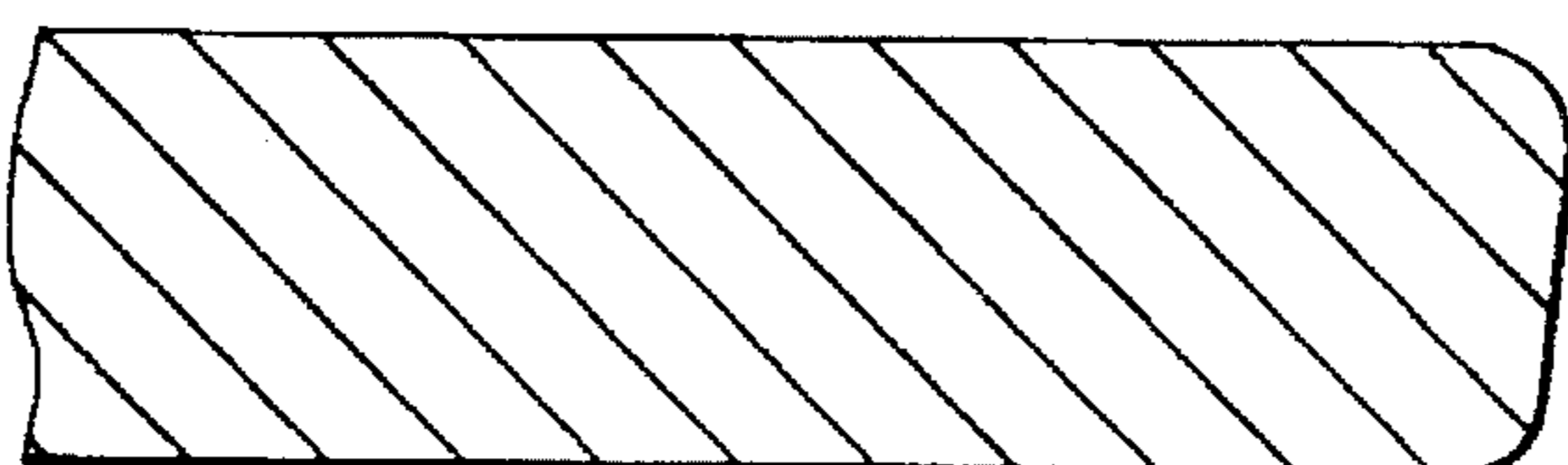
FIG. 6



***FIG. 7***



***FIG. 8***



***FIG. 9***