



US00D362972S

United States Patent [19]

[11] Patent Number: Des. 362,972

Wunsch

[45] Date of Patent: **Oct. 10, 1995

[54] **CONDOM PACKAGE**

[76] Inventor: **Steven Wunsch**, 66 Alma Rock Rd., Stamford, Conn. 06903

[**] Term: **14 Years**

[21] Appl. No.: **927,370**

[22] Filed: **Aug. 10, 1992**

[52] U.S. Cl. **D9/346**

[58] Field of Search D9/433, 432, 346, D9/341, 347; D3/35; 206/44 R, 45.13, 45.28, 307-313, 232, 424, 472; 229/68 R, 87.01, 87.18

[56] **References Cited**

U.S. PATENT DOCUMENTS

D. 272,600	2/1984	Kubas	D9/346
D. 316,181	4/1991	Clifton	D3/35
D. 339,063	9/1993	Simon	D9/433
D. 339,287	9/1993	Levin	D9/432 X
3,335,934	8/1967	Danis	229/23 E
3,755,925	9/1973	Court	206/232 X
4,773,534	9/1988	De Heras et al.	206/522 X
4,890,728	1/1990	Grimsley	206/232 X
5,188,229	2/1993	Bearnstein	206/310 X

Primary Examiner—Prabhakar G. Deshmukh
Attorney, Agent, or Firm—St. Onge Steward Johnston & Reens

[57] **CLAIM**

The ornamental design for a condom package, as shown and described.

DESCRIPTION

FIG. 1 is a perspective view of a condom package showing my new design using two folds;

FIG. 2 is a perspective view of the condom package of FIG. 1, shown in partial folded condition;

FIG. 3 is a perspective view of the condom package of FIG. 1, shown in partial folded condition similar to FIG. 2 and with a side flap folded in;

FIG. 4 is a plan view of the condom package of FIG. 1, shown in completely unfolded condition;

FIG. 5 is a plan view of the condom package of FIG. 1, similar to FIG. 4, but with the bottom tabs folded in;

FIG. 6 is a perspective view of a second embodiment of FIG. 1 shown in partial folded condition similar to FIG. 2;

FIG. 7 is a perspective view of a third embodiment of FIG. 1 shown in partial folded condition similar to FIG. 2;

FIG. 8 is a perspective view of a fourth embodiment of FIG. 1 shown in partial folded condition similar to FIG. 2;

FIG. 9 is a perspective view of the fifth embodiment of FIG. 1 shown in partial folded condition similar to FIG. 2;

FIG. 10 is a perspective view of a sixth embodiment of FIG. 1 shown in partial folded condition similar to FIG. 2;

FIG. 11 is a perspective view of a seventh embodiment of a condom package showing my new design using one fold;

FIG. 12 is a perspective view of the condom package of FIG. 11 shown in partial folded condition similar to FIG. 2;

FIG. 13 is a plan view of the condom package of FIG. 11 shown in completely unfolded condition;

FIG. 14 is a perspective view of an eighth embodiment of a condom package showing my new design using three folds;

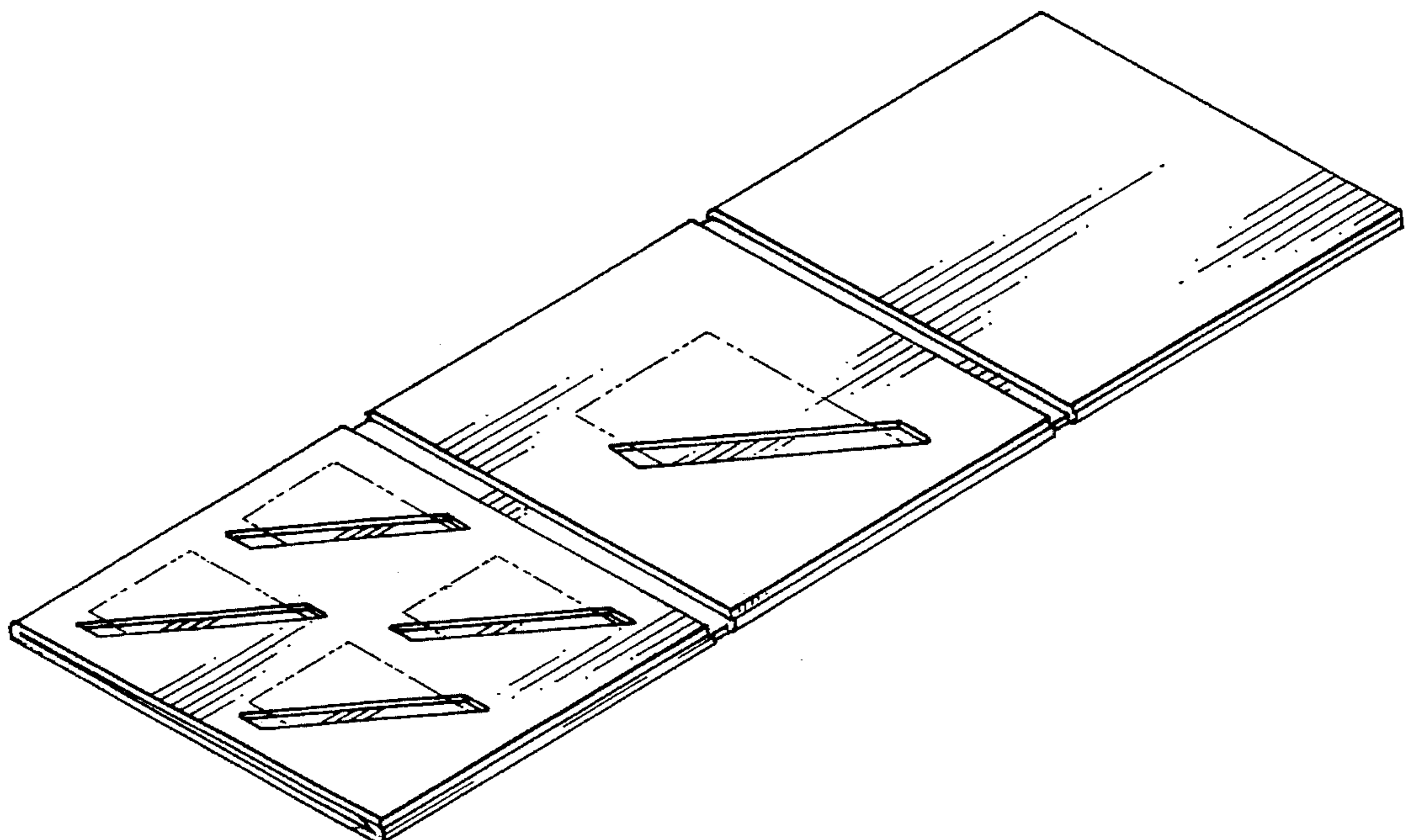
FIG. 15 is a perspective view of the condom package of FIG. 14 shown in partial folded condition similar to FIG. 2; and,

FIG. 16 is a plan view of the condom package of FIG. 14 shown in completely unfolded position.

The corresponding panel layout and slot types of FIG. 6 through 10 inclusive may be provided on the one or three fold designs of FIGS. 11, 14.

In the figures, dashed lines represent condom wrappers, visible environmental structure which may be inserted into slots of the package once the package is folded.

1 Claim, 12 Drawing Sheets



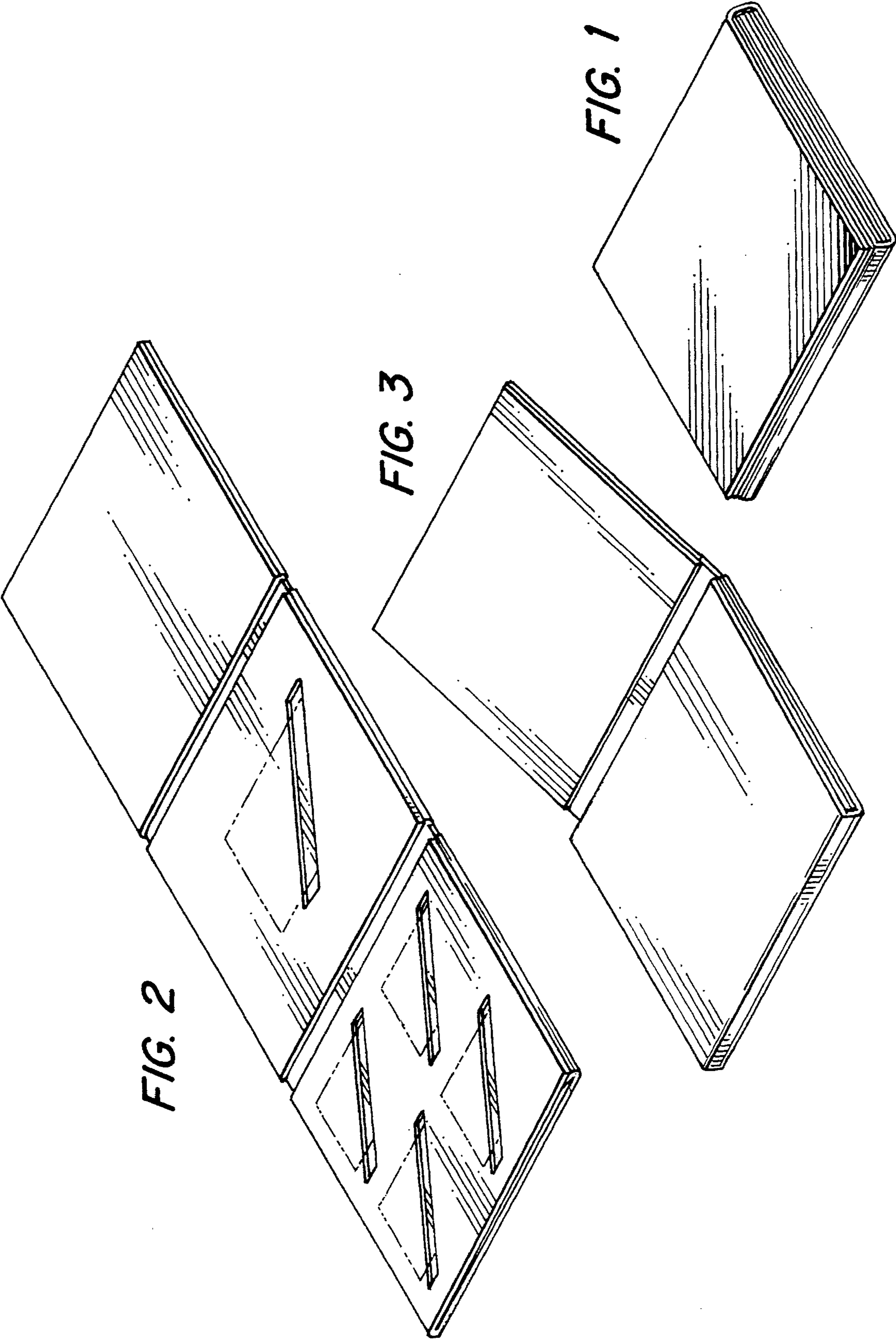
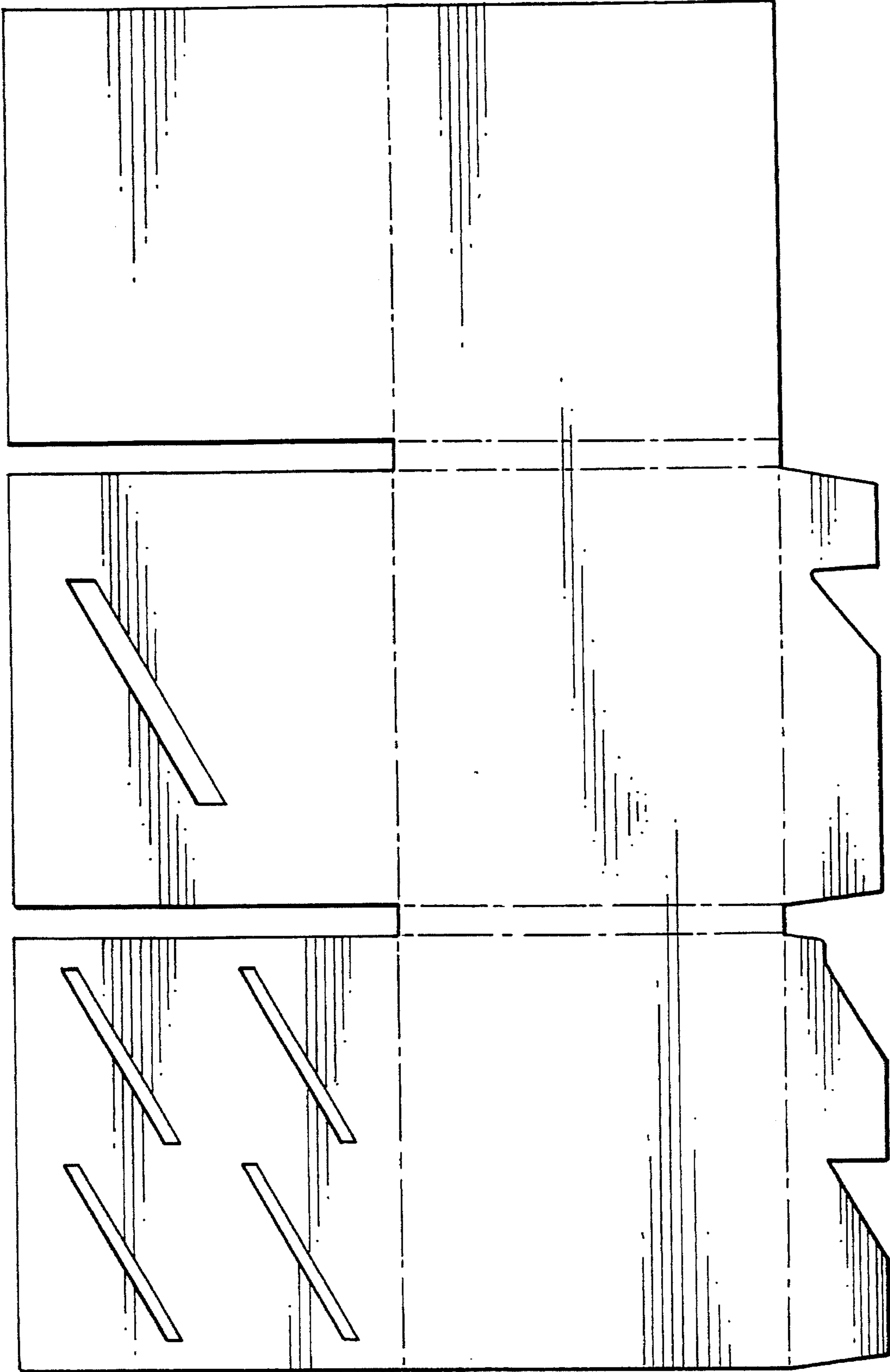


FIG. 1

FIG. 3

FIG. 2

FIG. 4



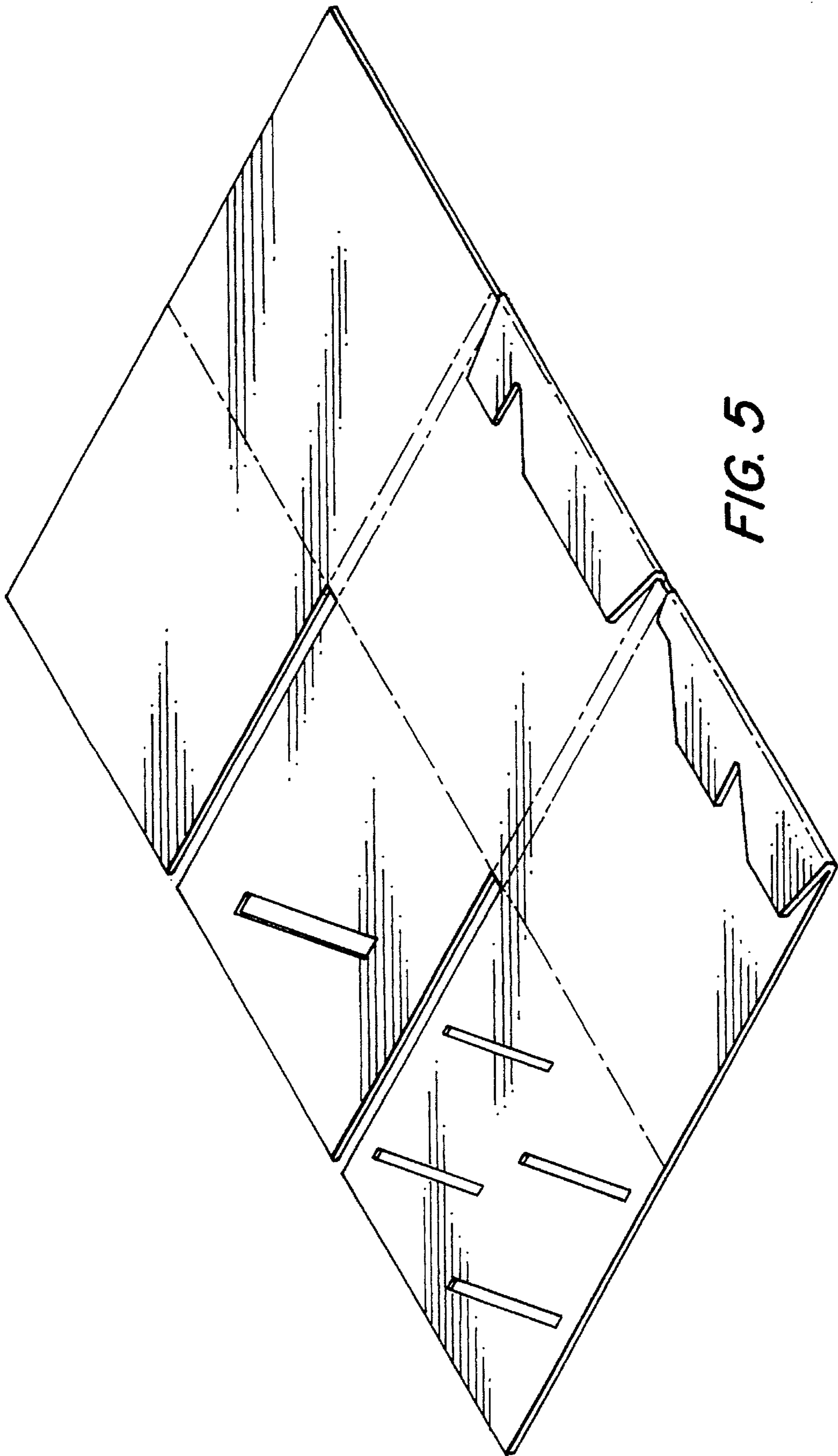


FIG. 5

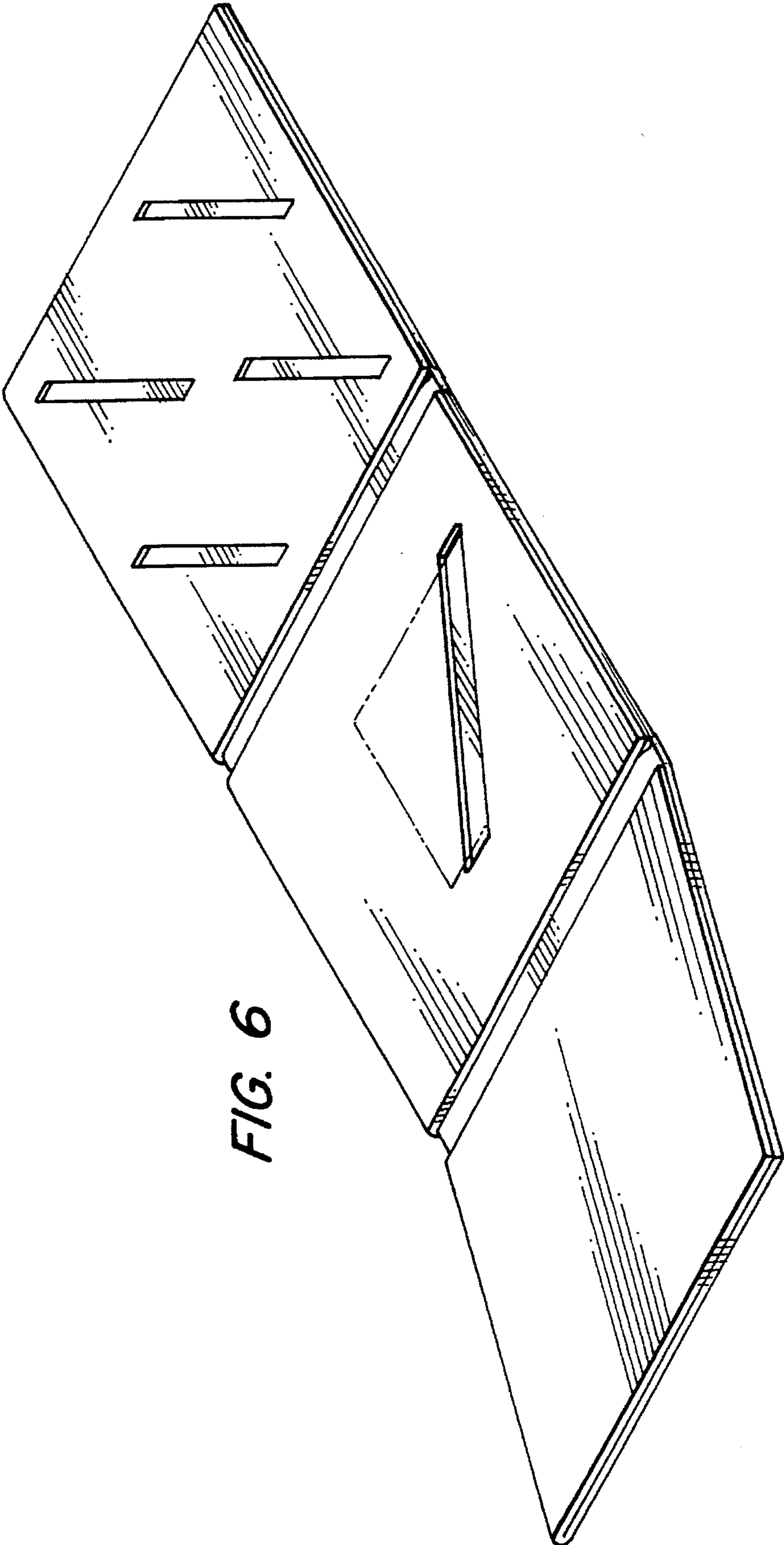


FIG. 6

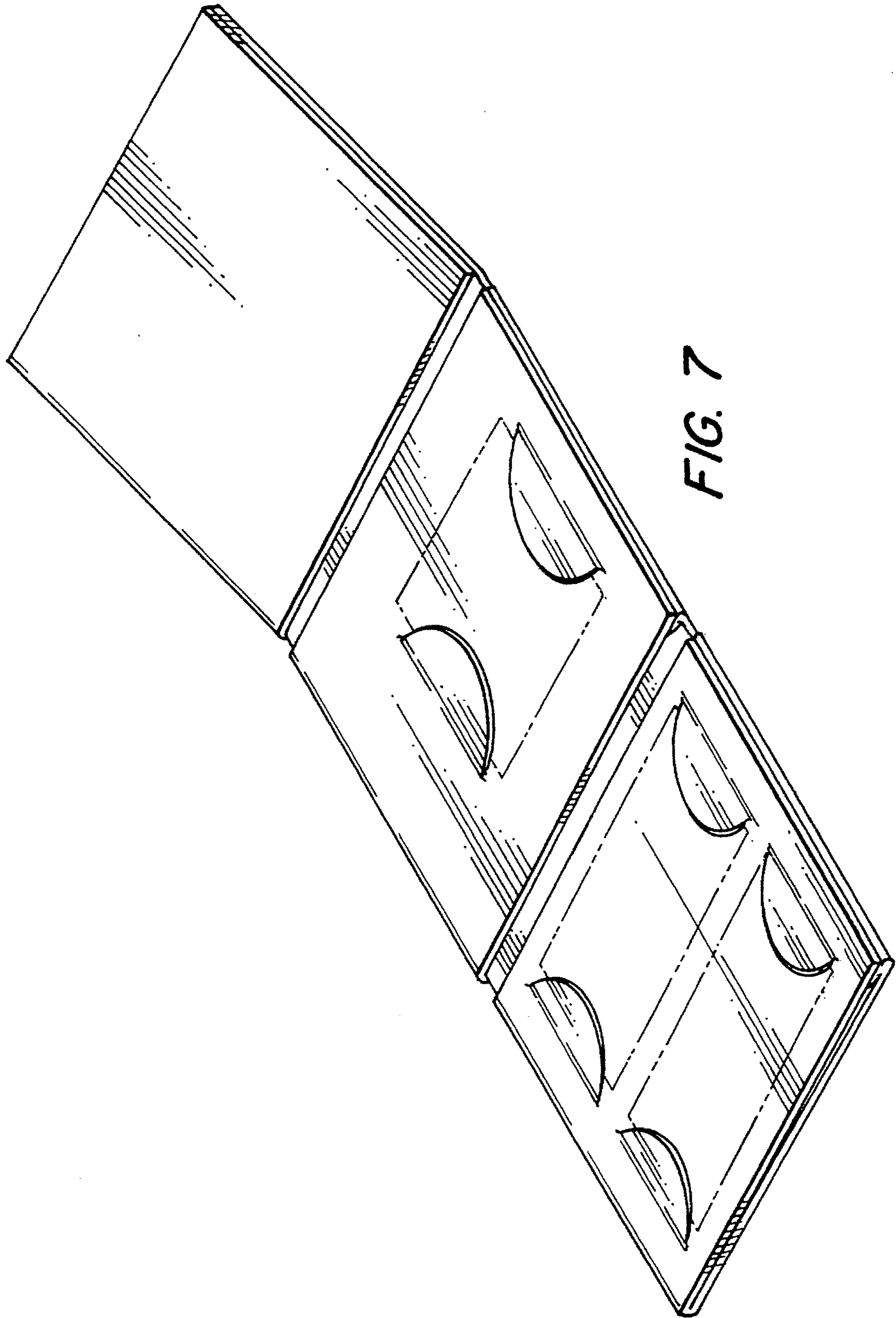


FIG. 7

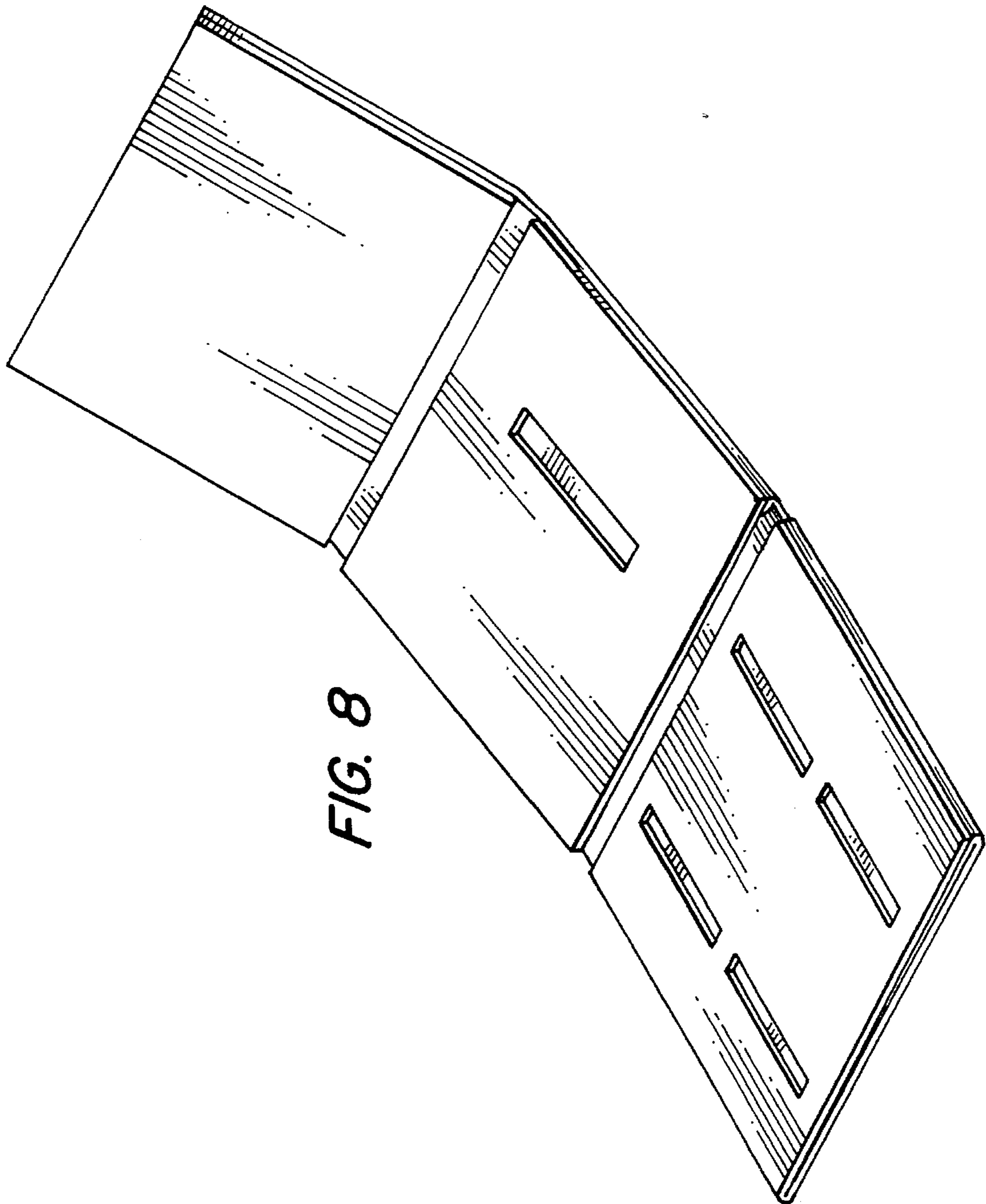


FIG. 8

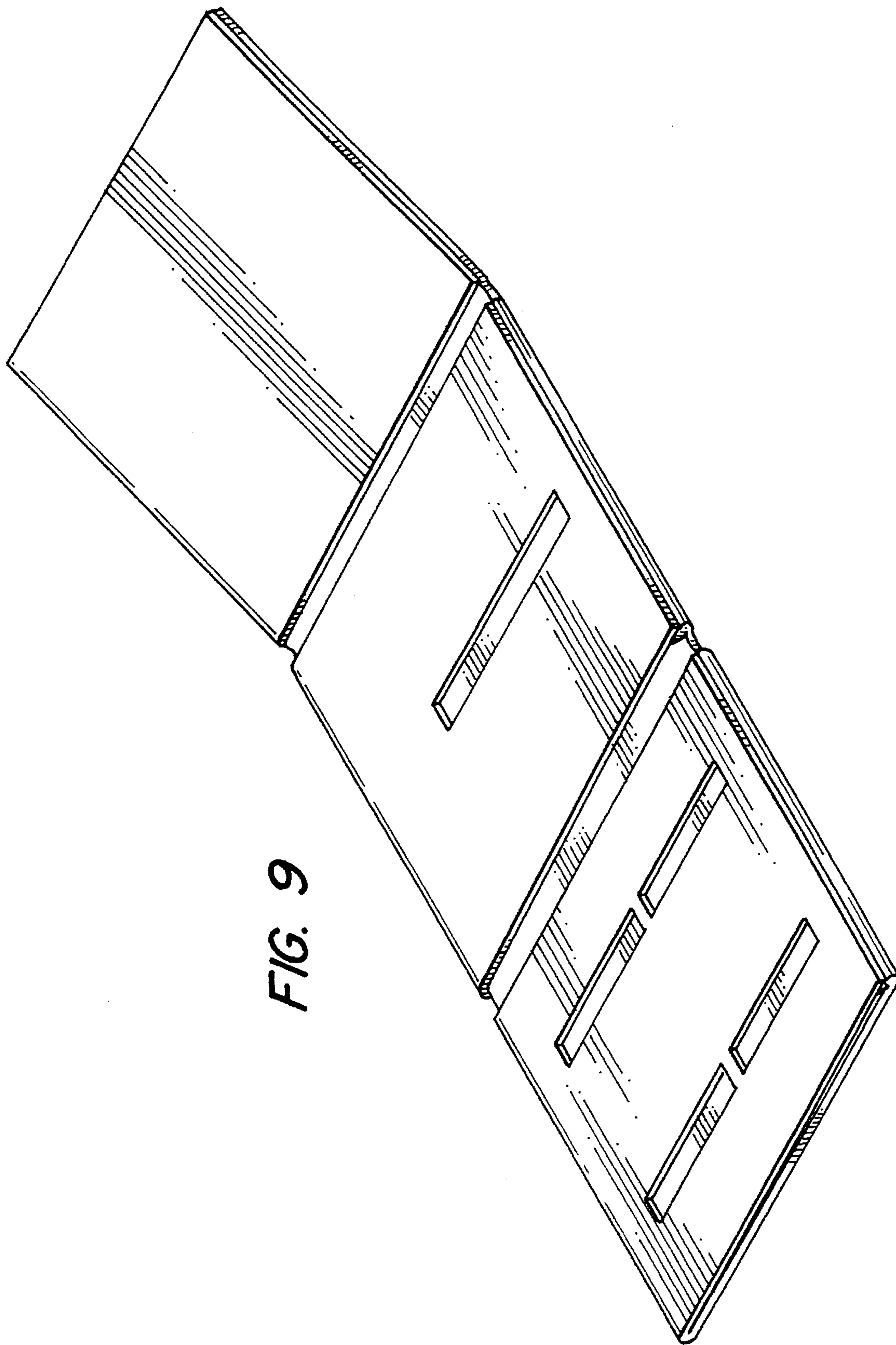


FIG. 9

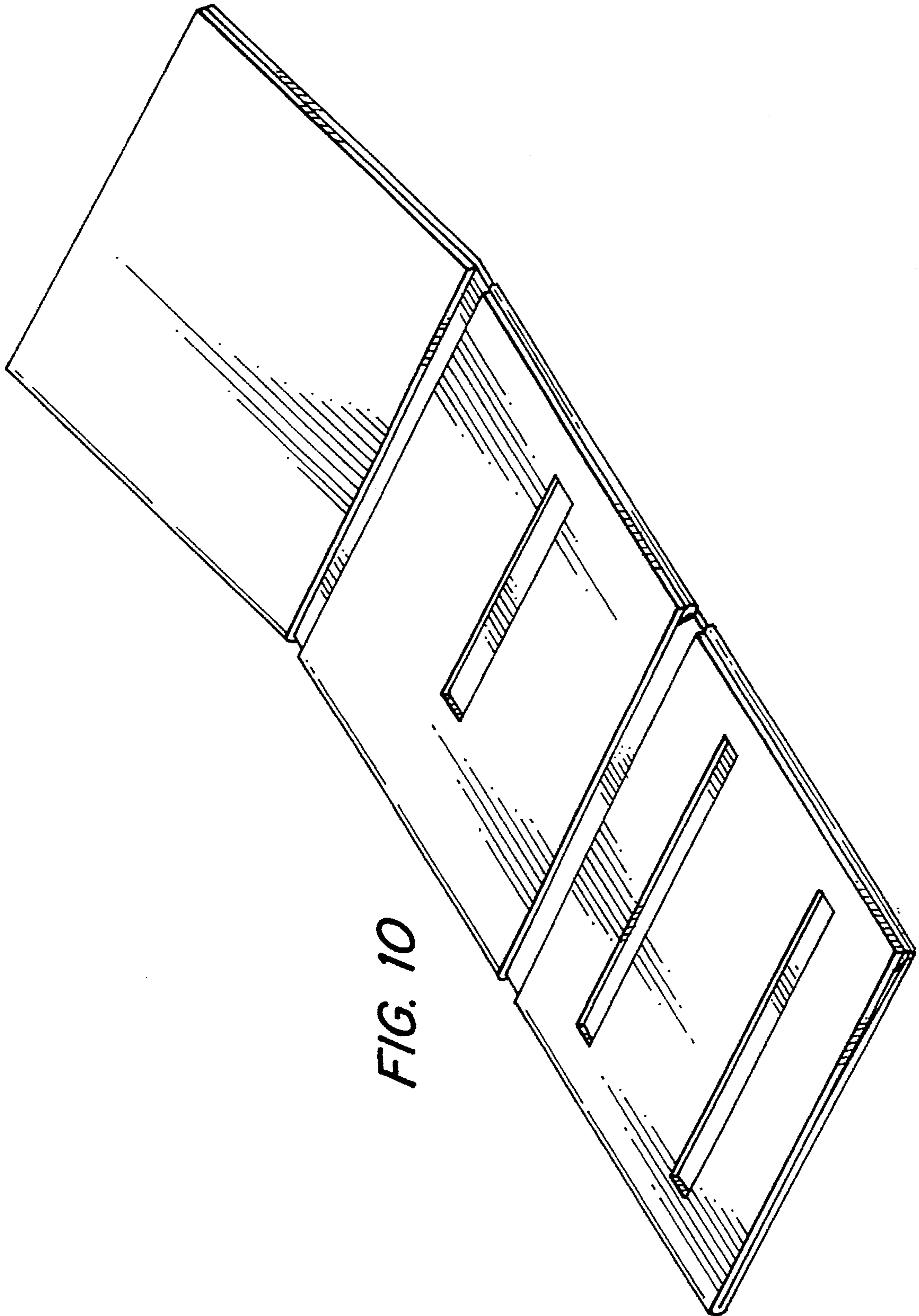


FIG. 10

FIG. 12

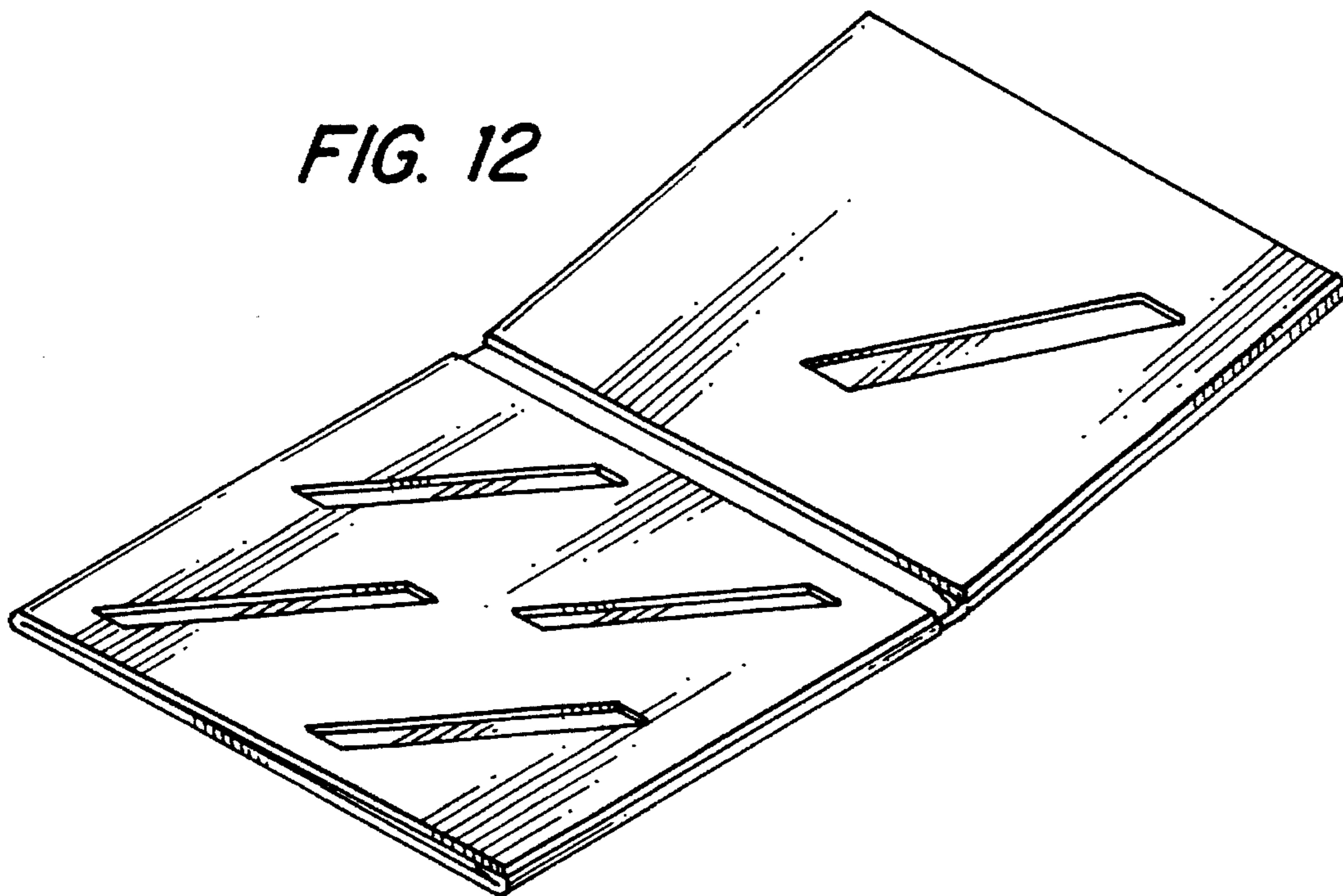


FIG. 11

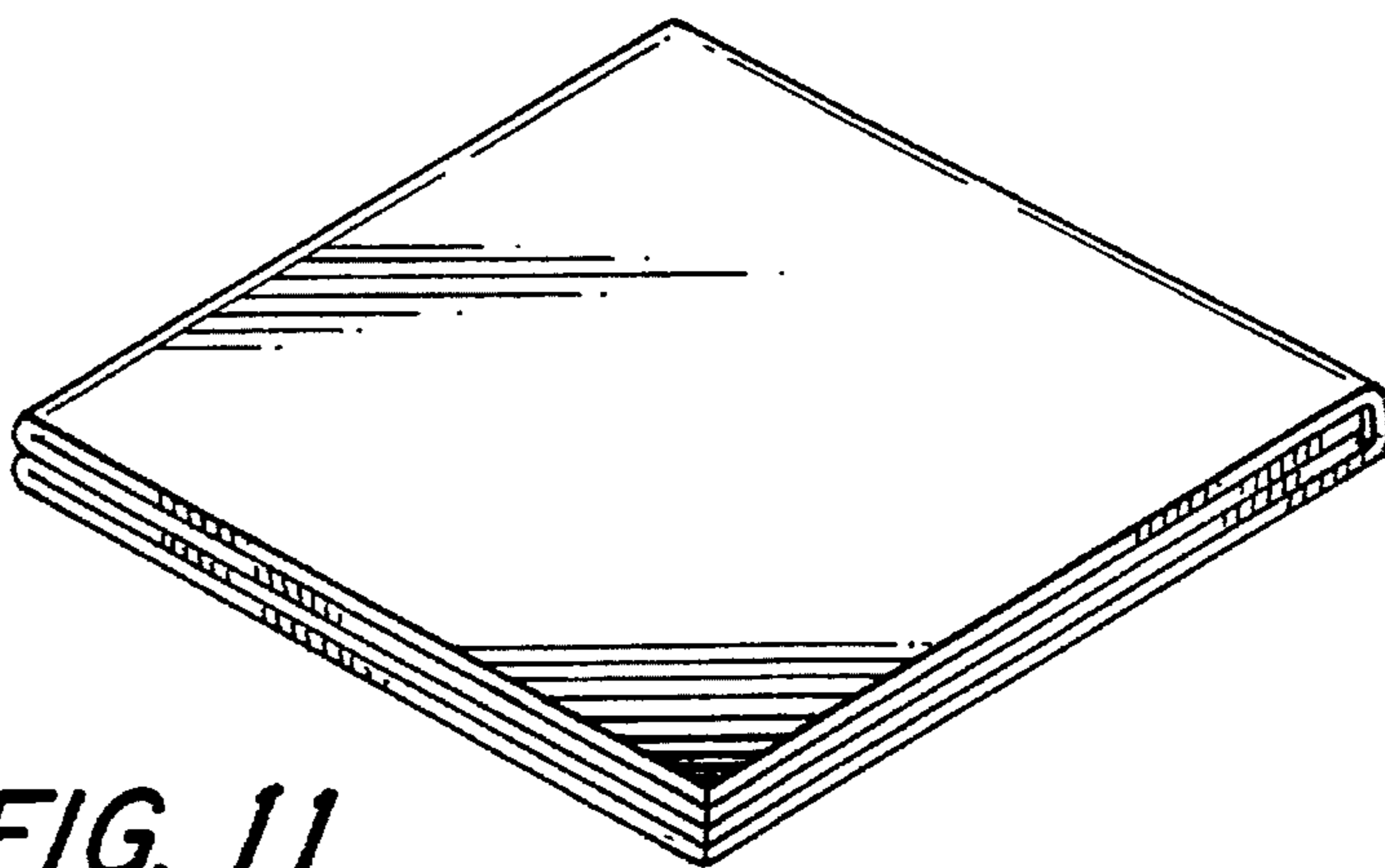
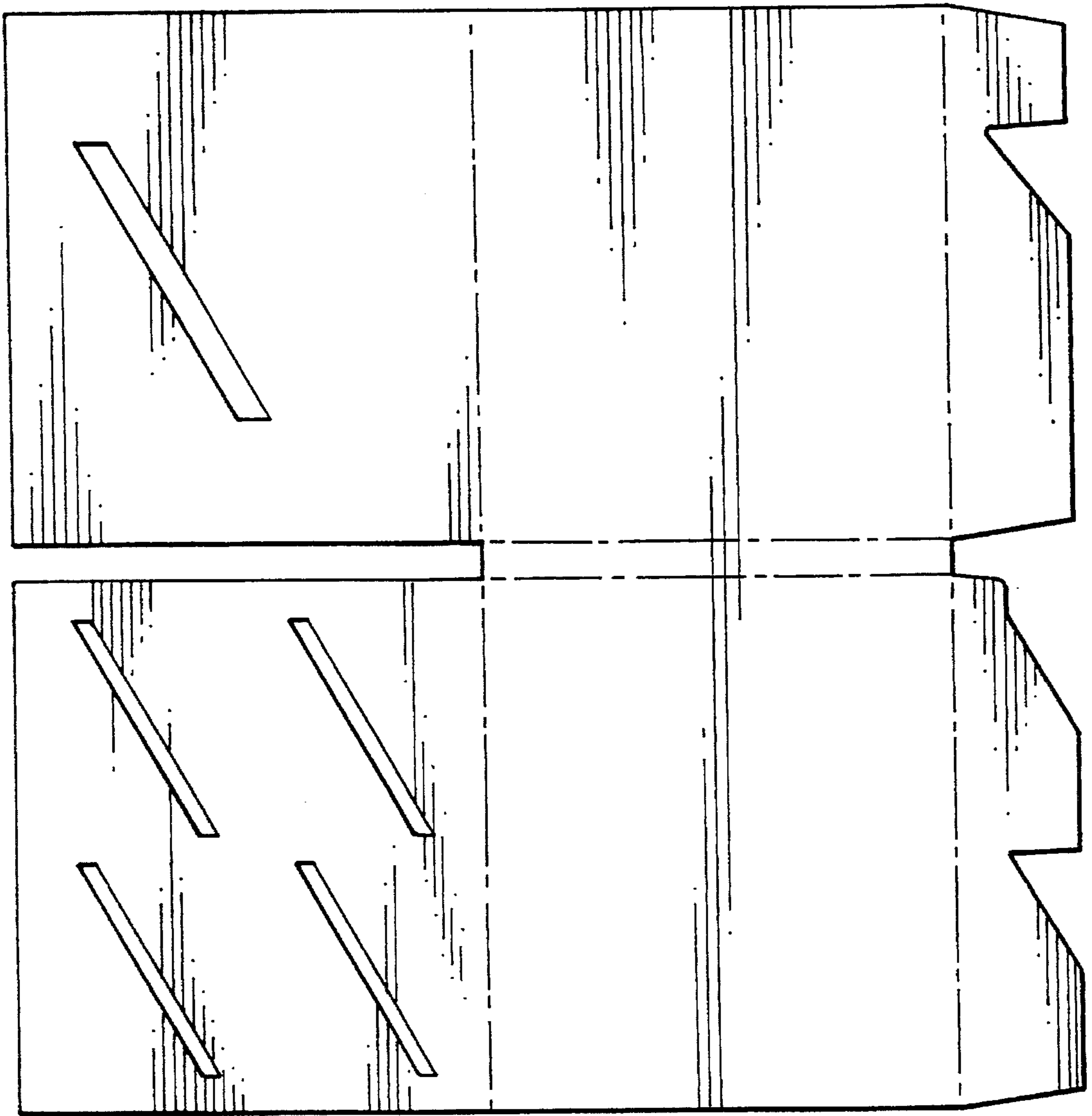


FIG. 13



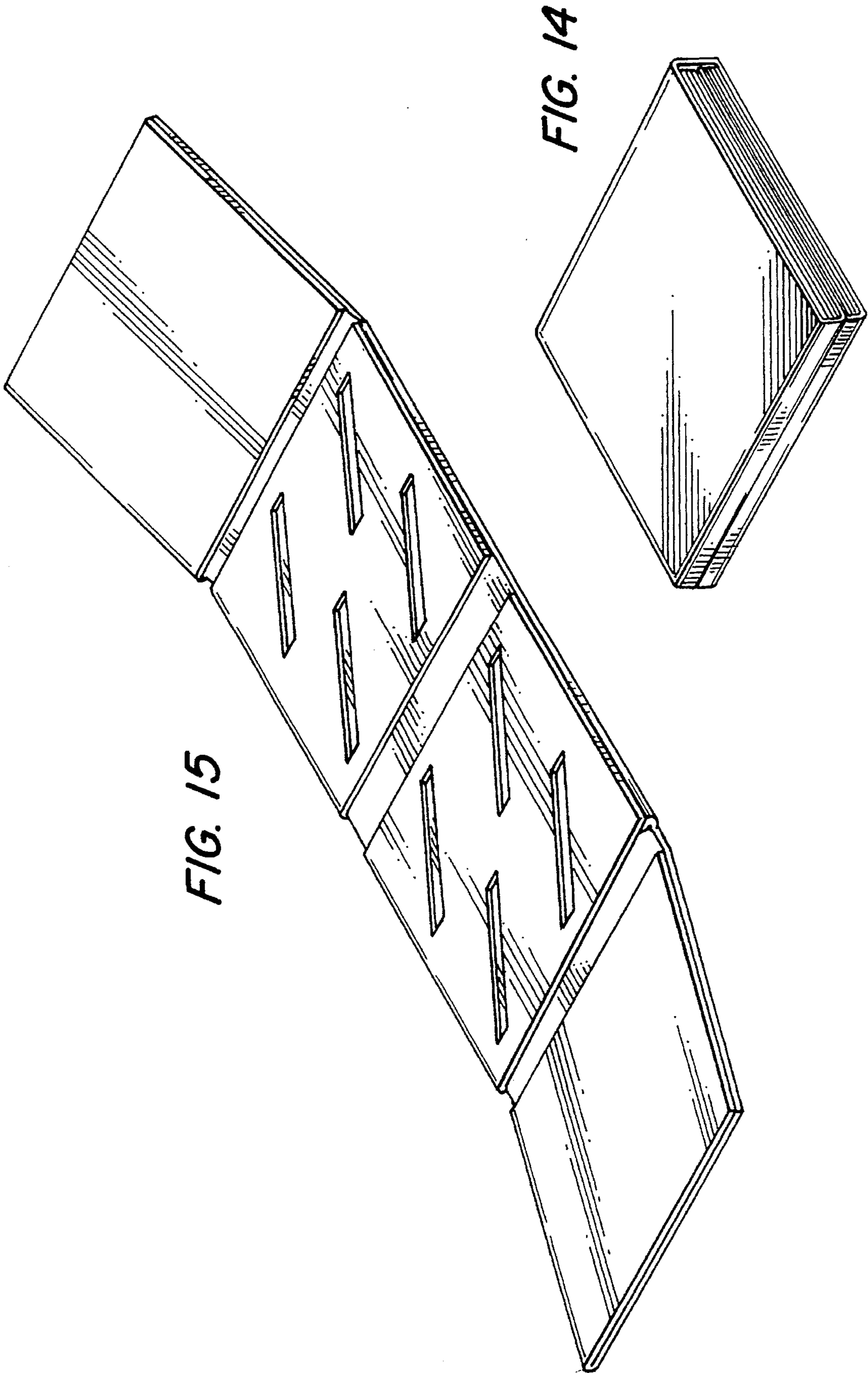


FIG. 14

FIG. 15

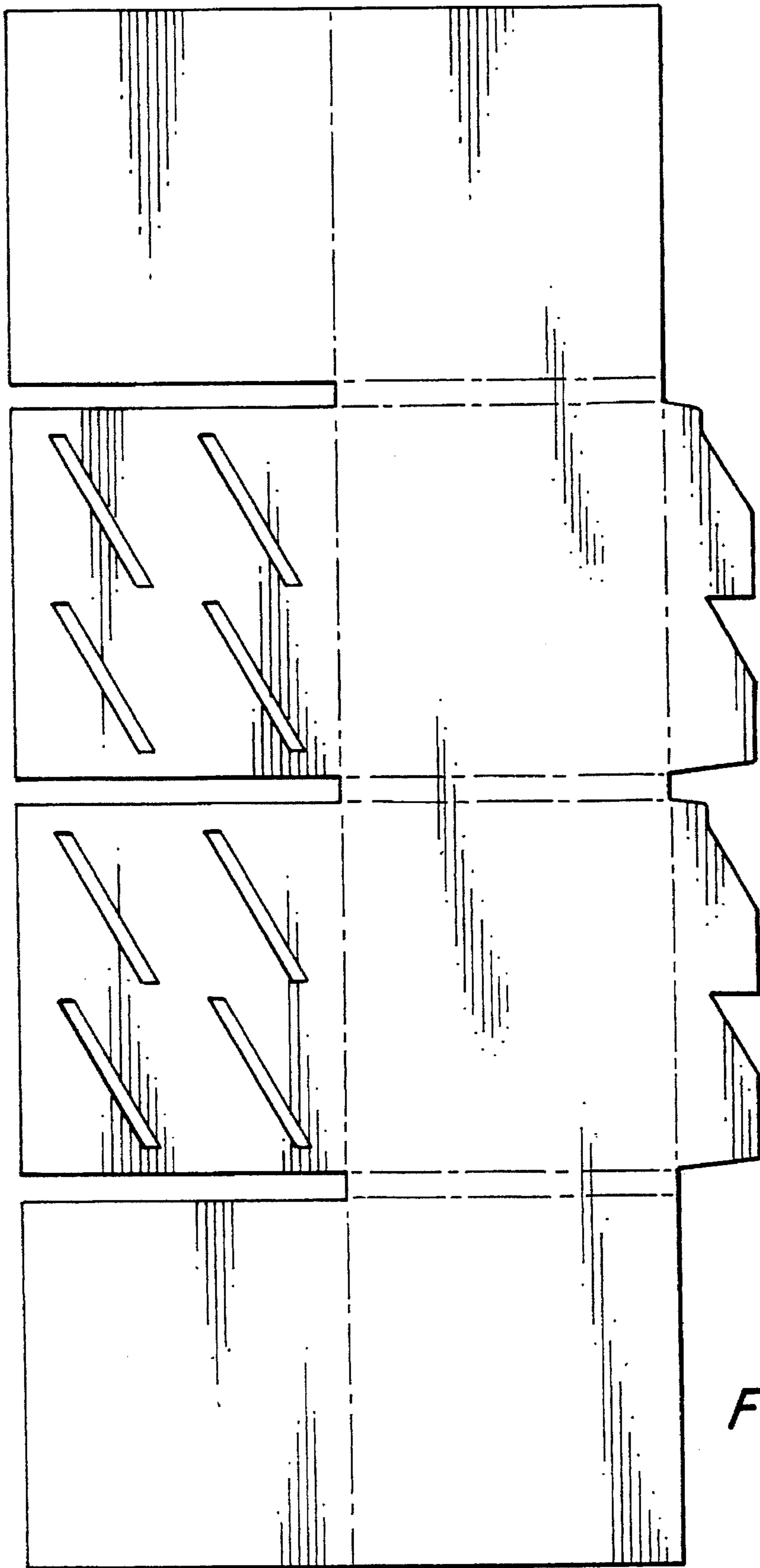


FIG. 16