



US00D362962S

United States Patent [19]

[11] Patent Number: **Des. 362,962**

Abrams et al.

[45] Date of Patent: ****Oct. 10, 1995**

[54] **PACKAGE FOR A CONTACT LENS**

| | | | | |
|------------|---------|-----------------|-------|-----------|
| D. 227,744 | 7/1973 | Mitchko | | D3/264 |
| D. 273,565 | 4/1984 | Driskell et al. | | D9/415 |
| D. 276,215 | 11/1984 | Wang | | D9/415 |
| 4,691,820 | 9/1987 | Martinez | | 206/205 |
| 5,042,655 | 8/1991 | Beldyk et al. | | 206/316.1 |

[75] Inventors: **Richard W. Abrams; Russell J. Crossman**, both of Jacksonville, Fla.; **Charles R. Ashley**, Pattenburg, N.J.

[73] Assignee: **Johnson & Johnson Vision Products, Inc.**, Jacksonville, Fla.

Primary Examiner—C. A. Murphy

[**] Term: **14 Years**

[57] **CLAIM**

[21] Appl. No.: **21,674**

The ornamental design for a package for a contact lens, as shown and described.

[22] Filed: **Apr. 21, 1994**

DESCRIPTION

[52] U.S. Cl. **D3/264; D3/263**

FIG. 1 is a perspective view of a contact lens package showing our new design;

[58] **Field of Search** D3/201, 263, 264; D9/341, 415; D16/134, 136; 206/5.1, 205, 316.1, 822; 134/143, 156, 901

FIG. 2 is a top plan view thereof;

FIG. 3 is a rear elevational view thereof; the left elevational view being identical thereto; the front and right elevation views being mirror images thereof;

[56] **References Cited**

FIG. 4 is a bottom plan view thereof; and,

FIG. 5 is a bottom perspective view thereof.

U.S. PATENT DOCUMENTS

D. 212,649 11/1968 Kolbeck D3/264

1 Claim, 2 Drawing Sheets

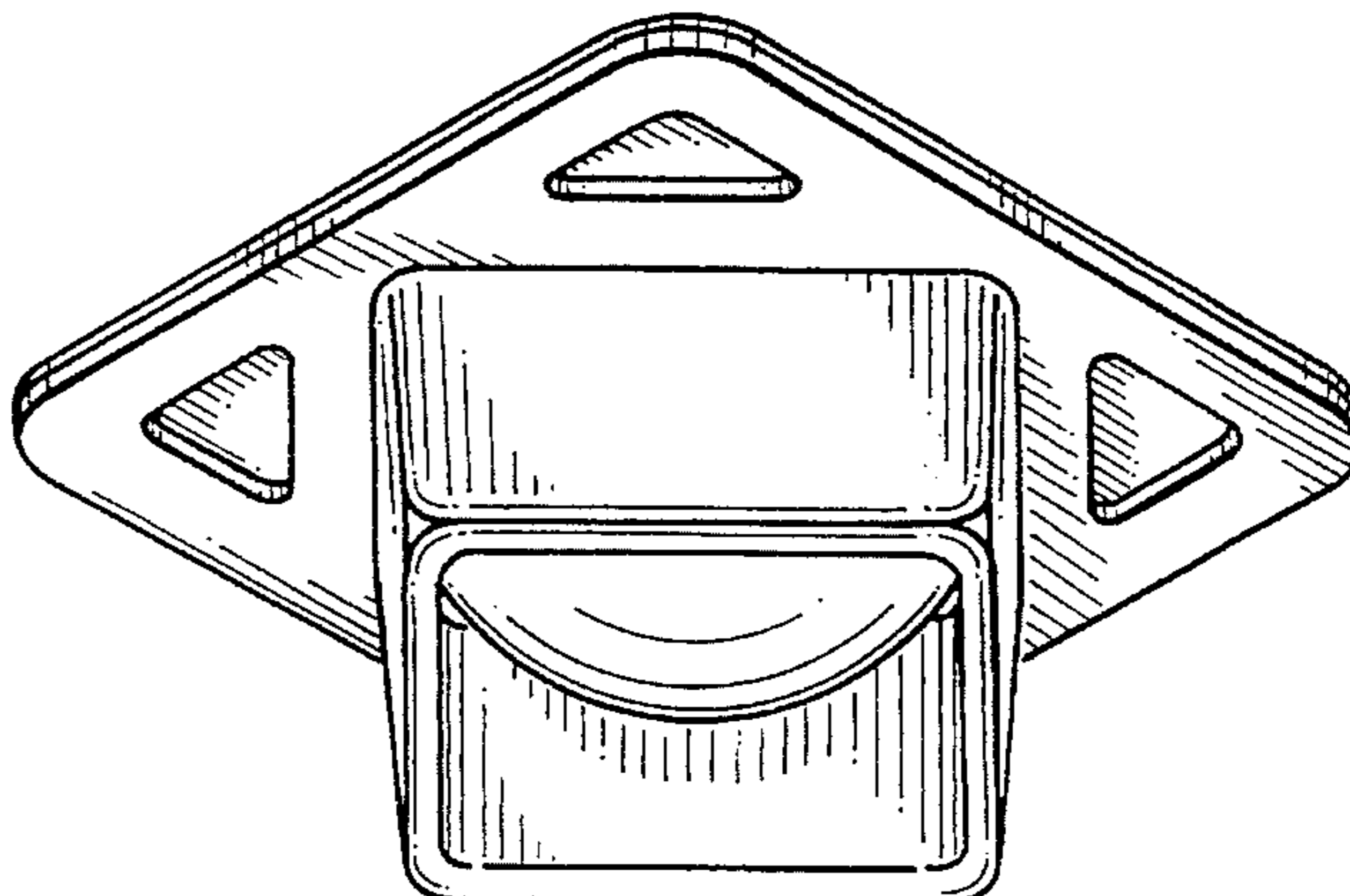
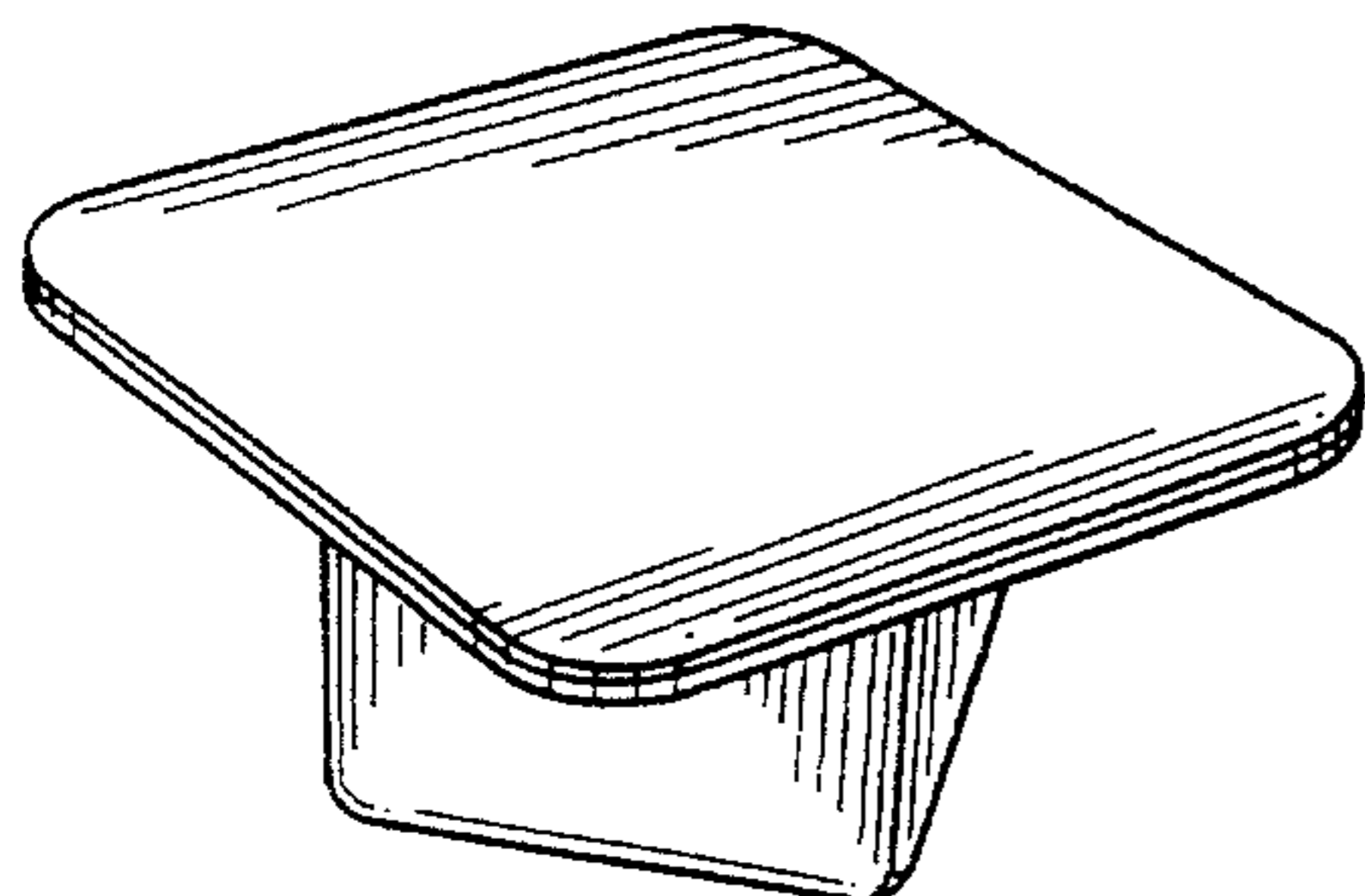


FIG. 1

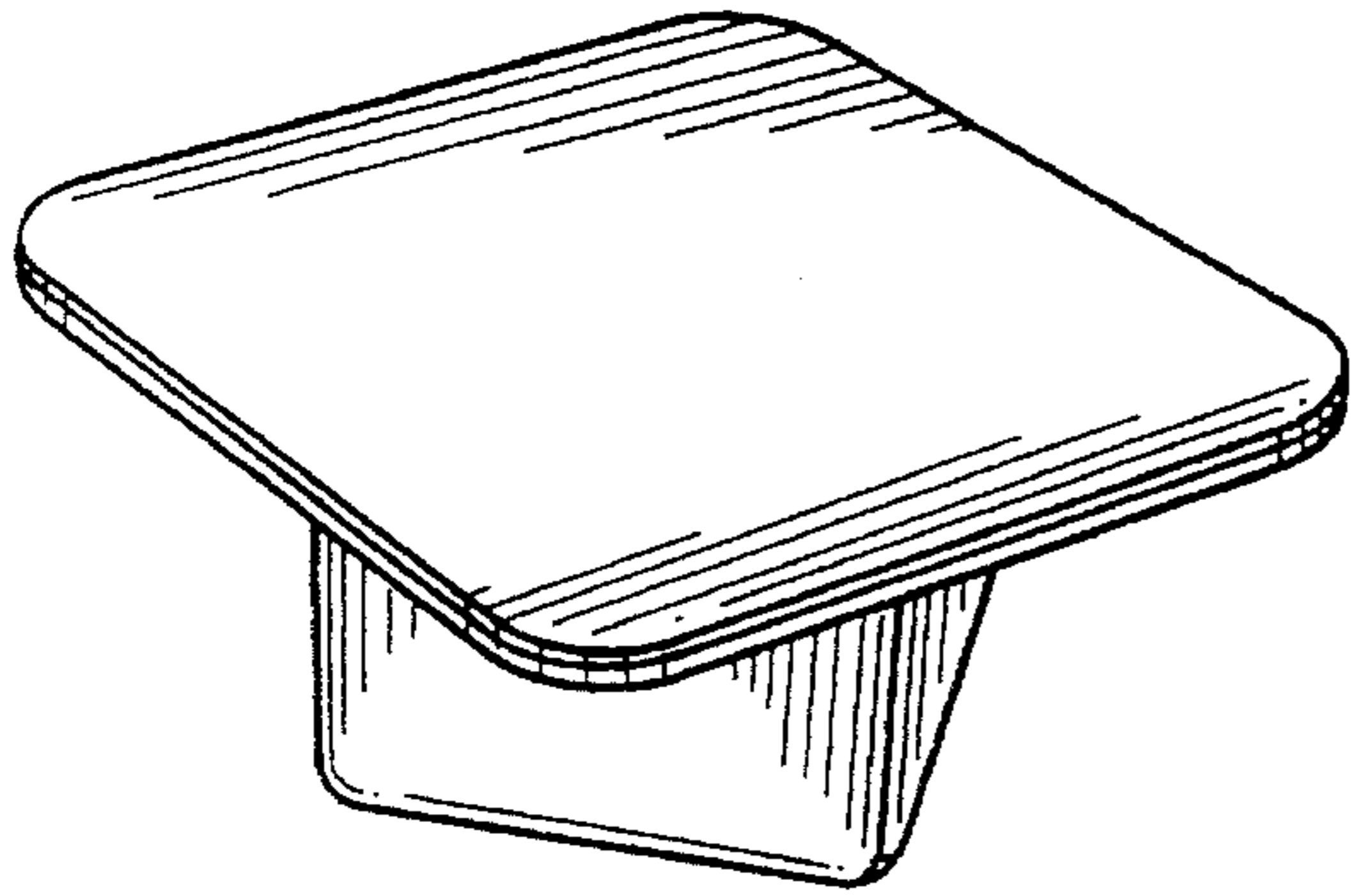


FIG. 3

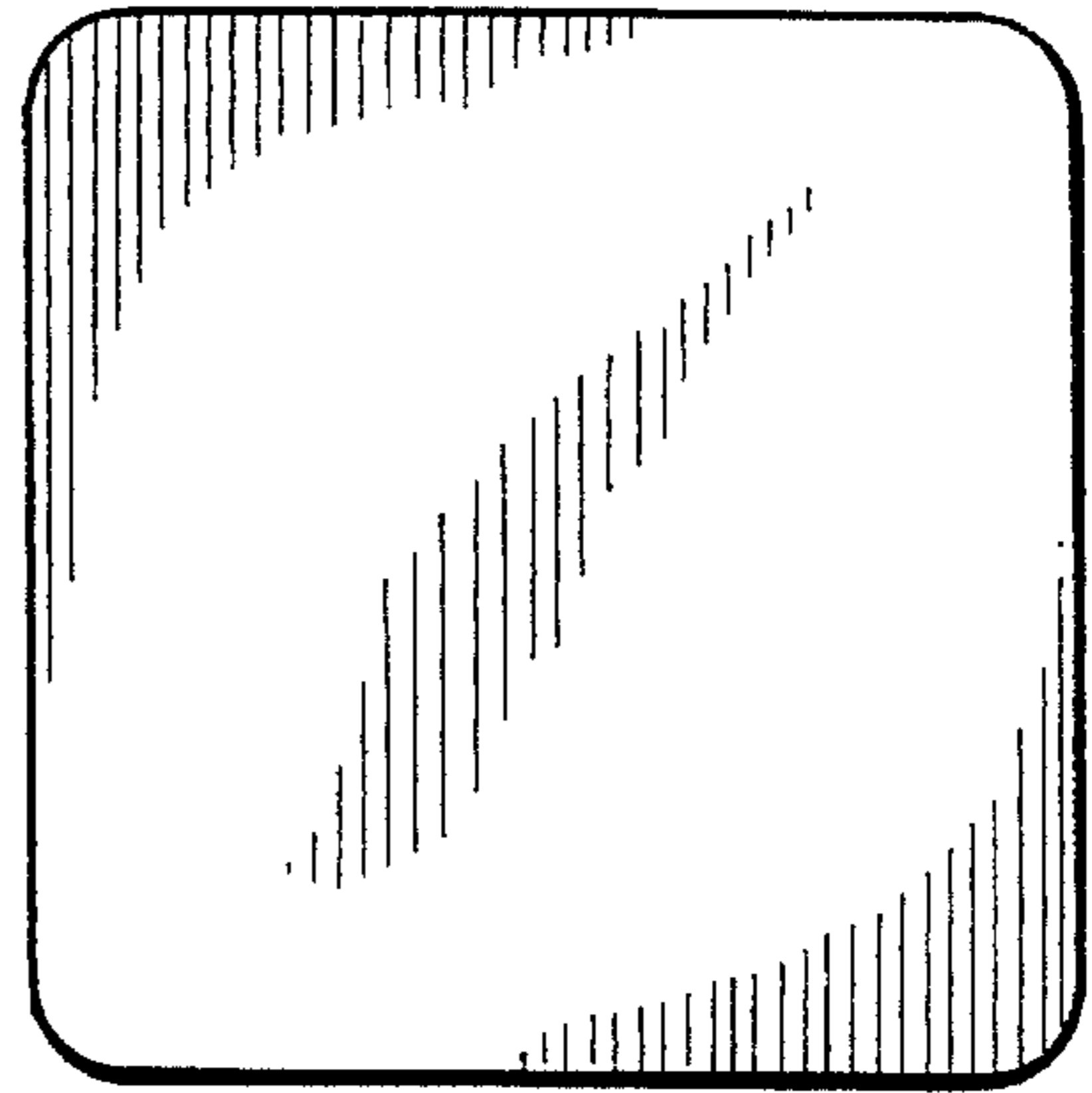


FIG. 2

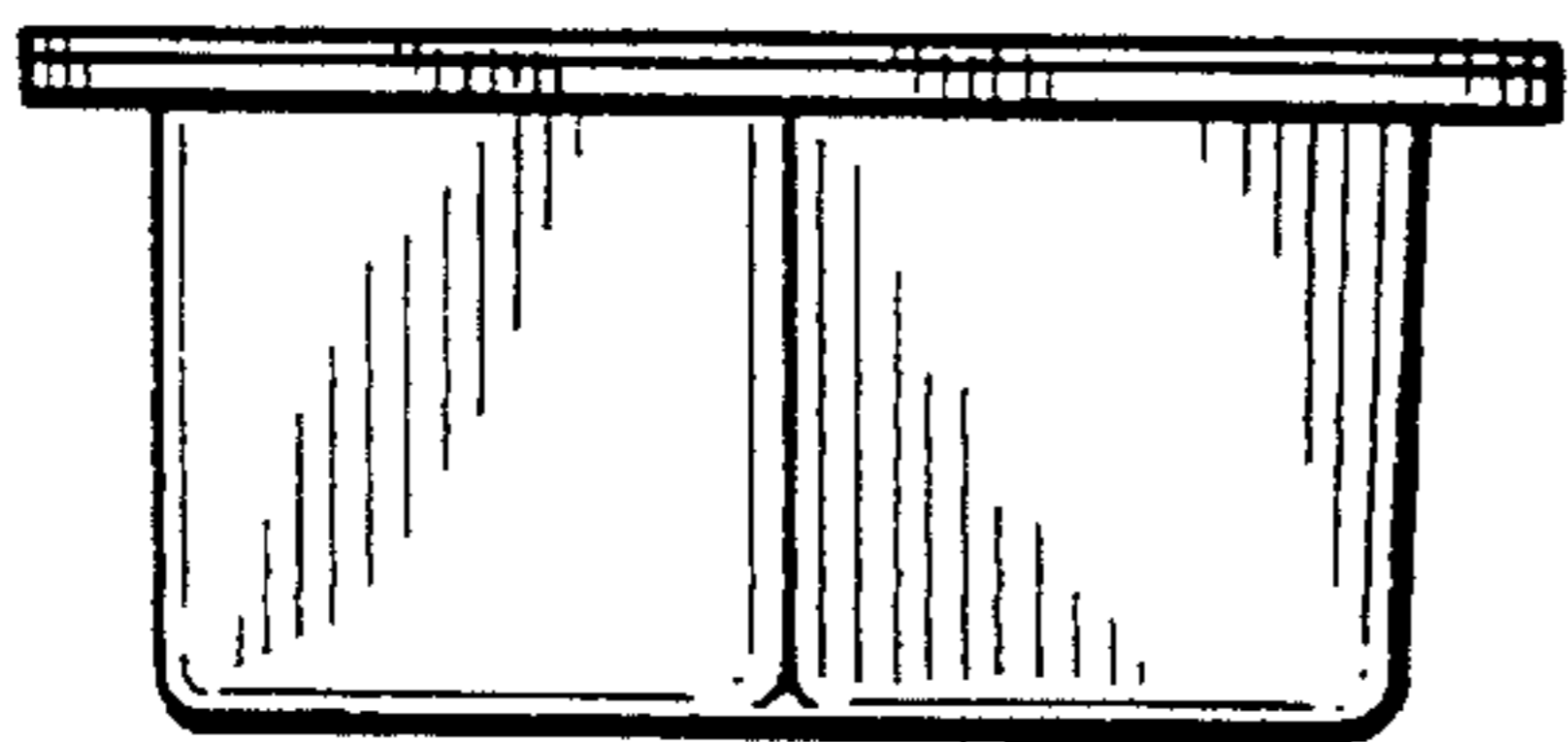


FIG. 4

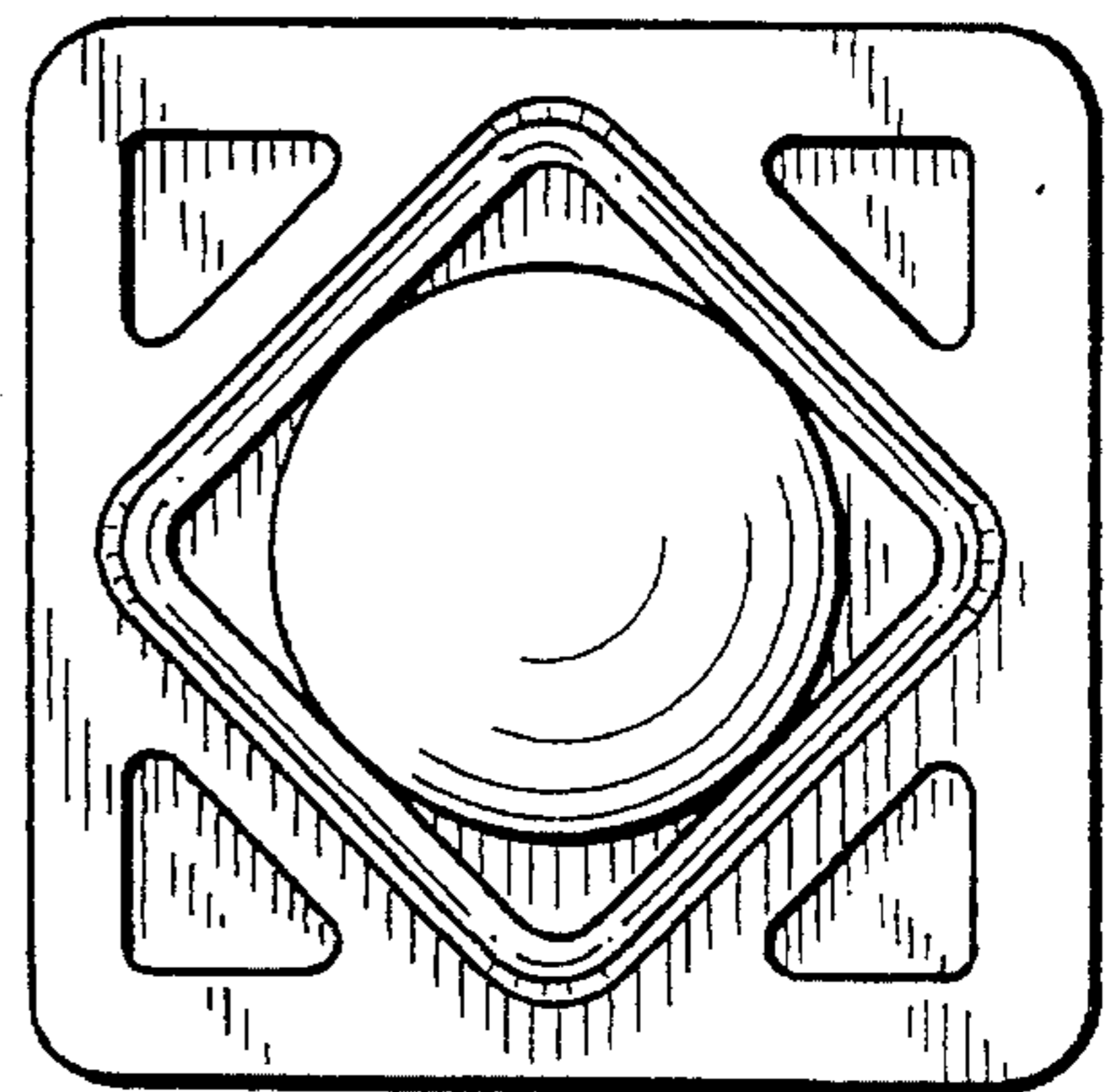


FIG. 5

