



US00D362950S

# United States Patent [19] Molino

[11] Patent Number: **Des. 362,950**

[45] Date of Patent: **\*\*Oct. 10, 1995**

[54] **GARMET ATTACHABLE POCKET**

[76] Inventor: **Felicia A. Molino**, 417 Hazelnut Dr.,  
Oakley, Contra Costa County, Calif.  
94561

[\*\*] Term: **14 Years**

[21] Appl. No.: **22,973**

[22] Filed: **May 16, 1994**

[52] U.S. Cl. .... **D2/857; D2/716; D2/742**

[58] Field of Search ..... **D2/716, 733, 738,  
D2/742, 743, 744, 745, 750; 2/247; 224/235,  
253**

[56] **References Cited**

**U.S. PATENT DOCUMENTS**

D. 221,327	8/1971	Watts	.....	D2/857
D. 245,295	8/1977	Guardino	.....	D3/221
D. 258,170	2/1981	Heinfling	.....	D2/742
D. 264,265	5/1982	Trigere	.....	D2/857
D. 278,378	4/1985	Heinfling	.....	D2/742
D. 294,651	3/1988	Ferré	.....	D2/857
2,237,111	4/1941	Parks	.....	2/247
2,242,666	7/1941	Previdi	.....	2/247
2,312,177	2/1943	Lester	.....	D2/857

2,325,497	7/1943	Fayer	.....	D2/857
2,471,386	5/1949	Carter	.....	2/247
3,158,300	11/1964	Withee	.....	224/235
4,731,883	3/1988	Foster	.....	2/247

*Primary Examiner*—C. A. Murphy  
*Attorney, Agent, or Firm*—Schapp and Hatch

[57] **CLAIM**

The ornamental design for a garment attachable pocket, as shown and described.

**DESCRIPTION**

FIG. 1 is a perspective view of a garment attachable pocket showing my new design, the broken lines shown on the claimed pocket throughout the views being understood to represent conventional stitching;

FIG. 2 is a front elevational view thereof, the rear being plain and unadorned;

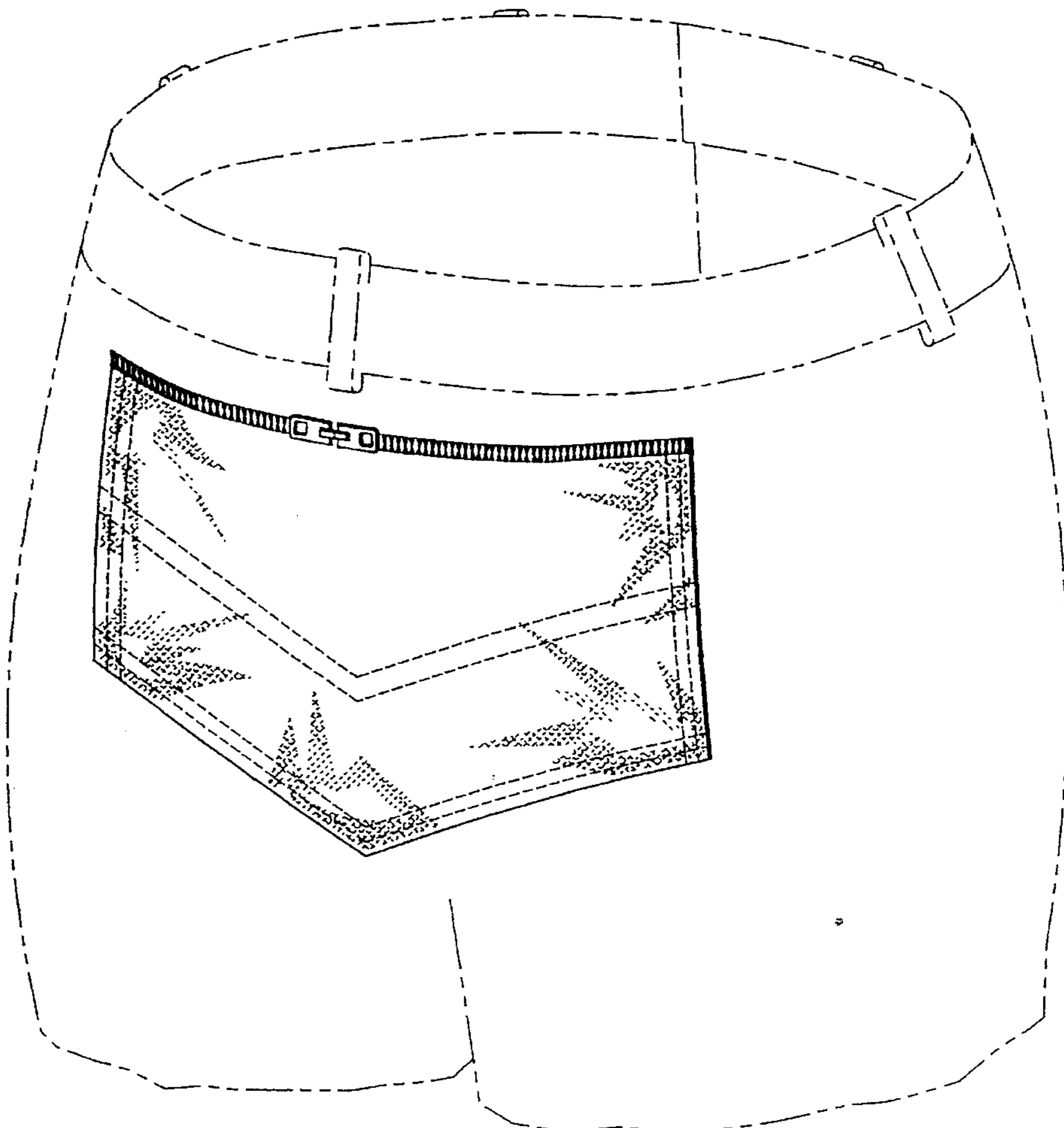
FIG. 3 is a left side elevational view thereof;

FIG. 4 is a top plan view thereof; and,

FIG. 5 is a bottom plan view thereof.

The broken lines partially showing trousers throughout the views are for illustrative purposes only and form no part of the claimed design.

**1 Claim, 2 Drawing Sheets**



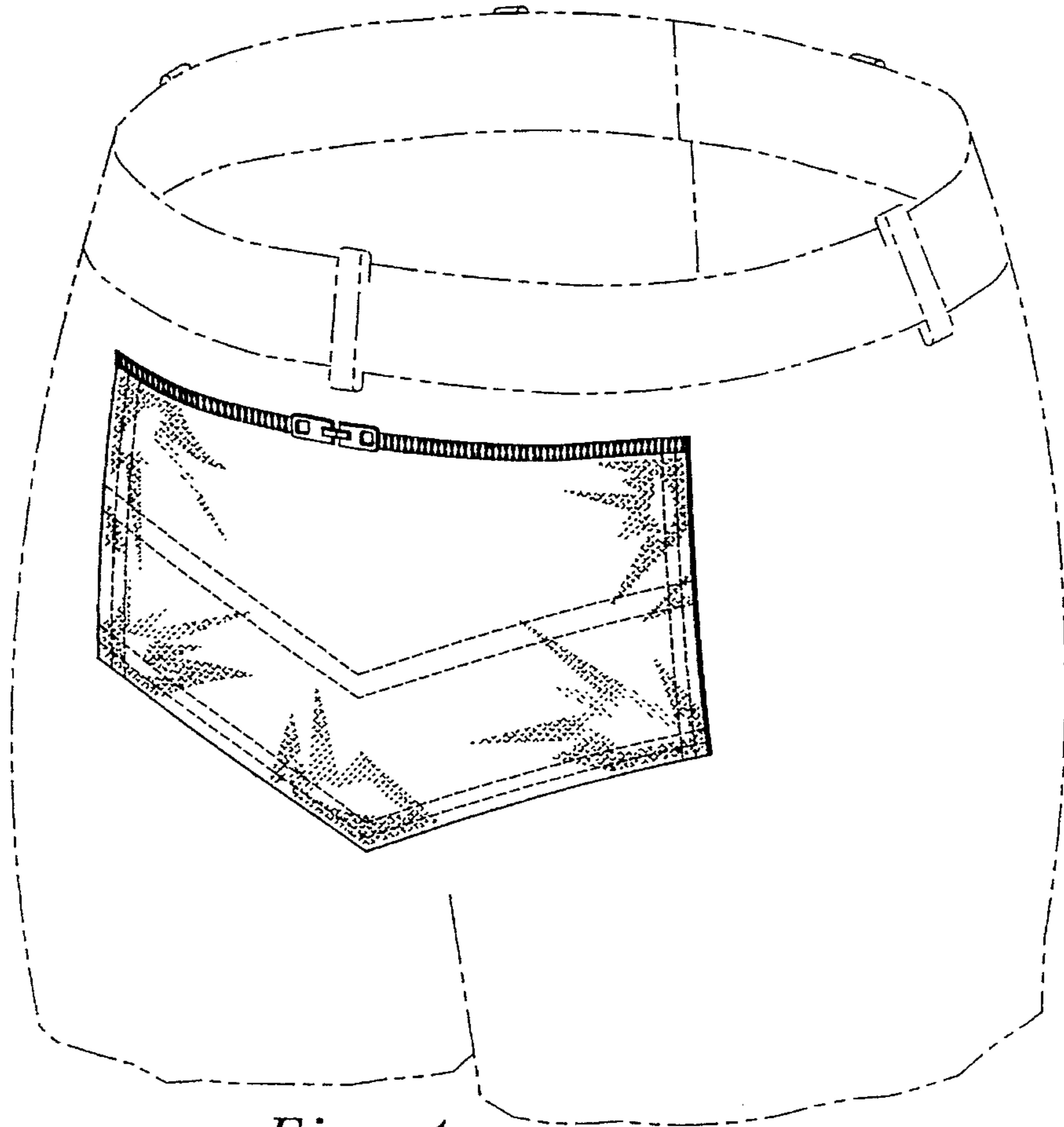


Fig. 1

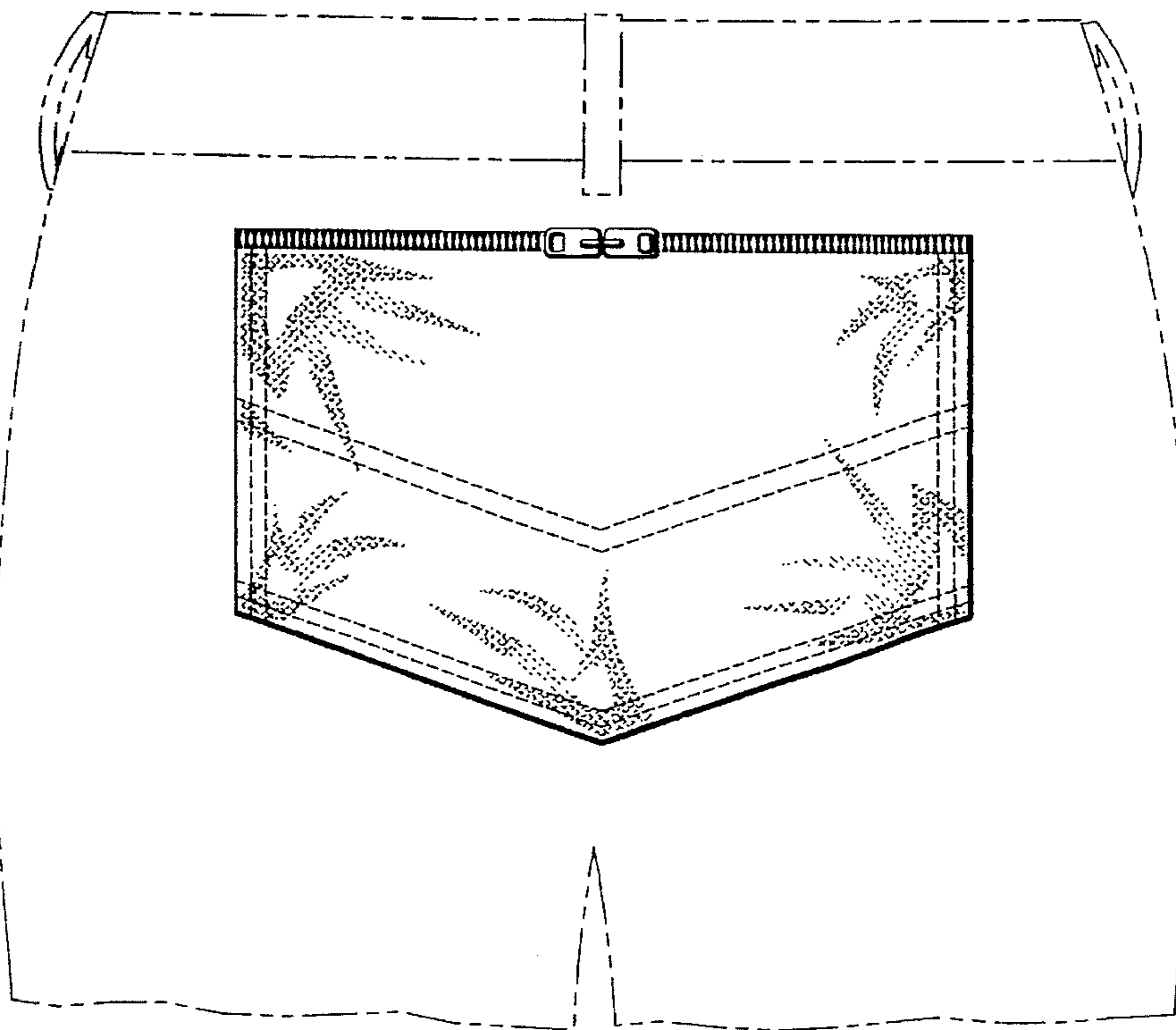


Fig. 2

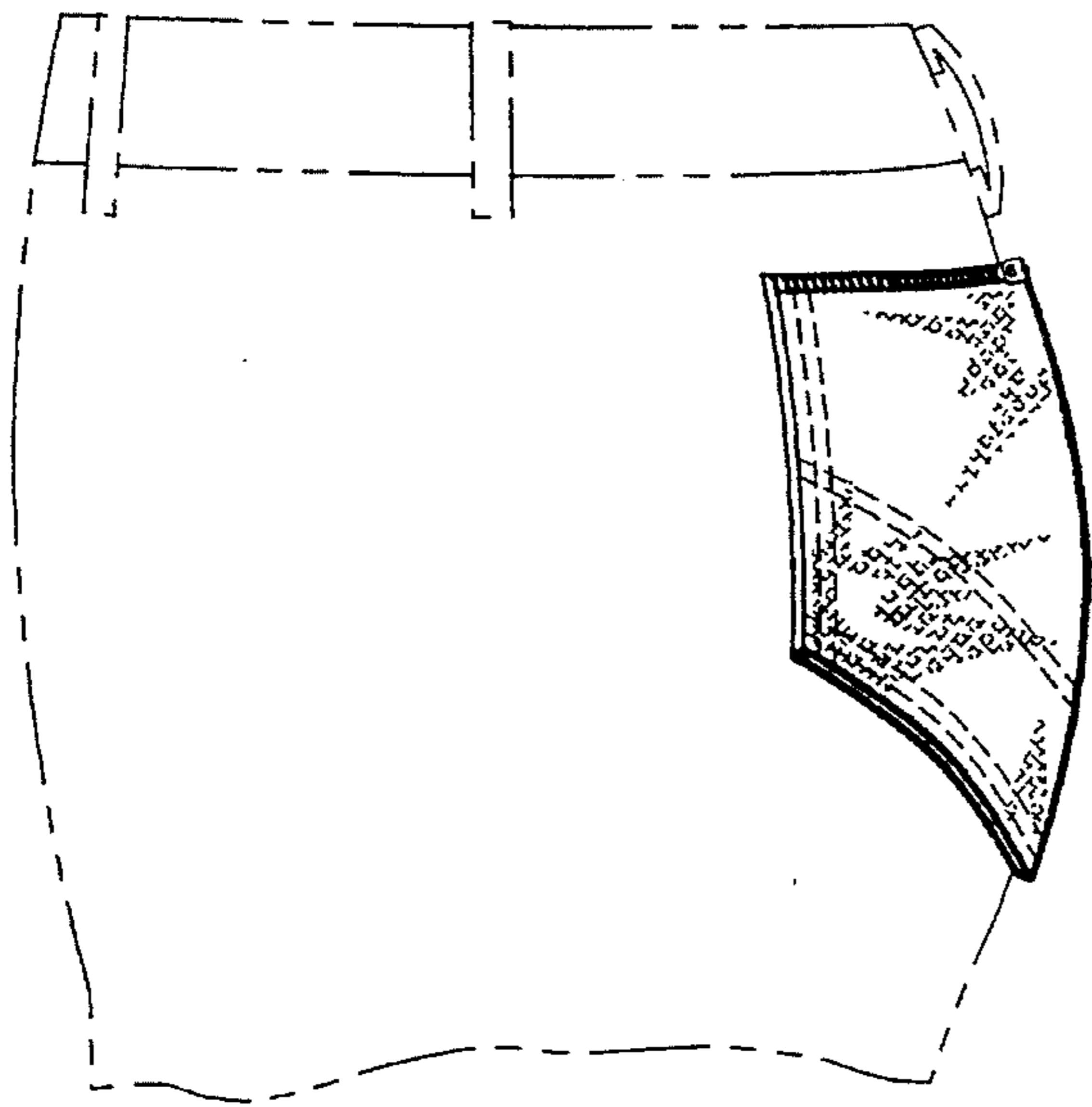


Fig. 3

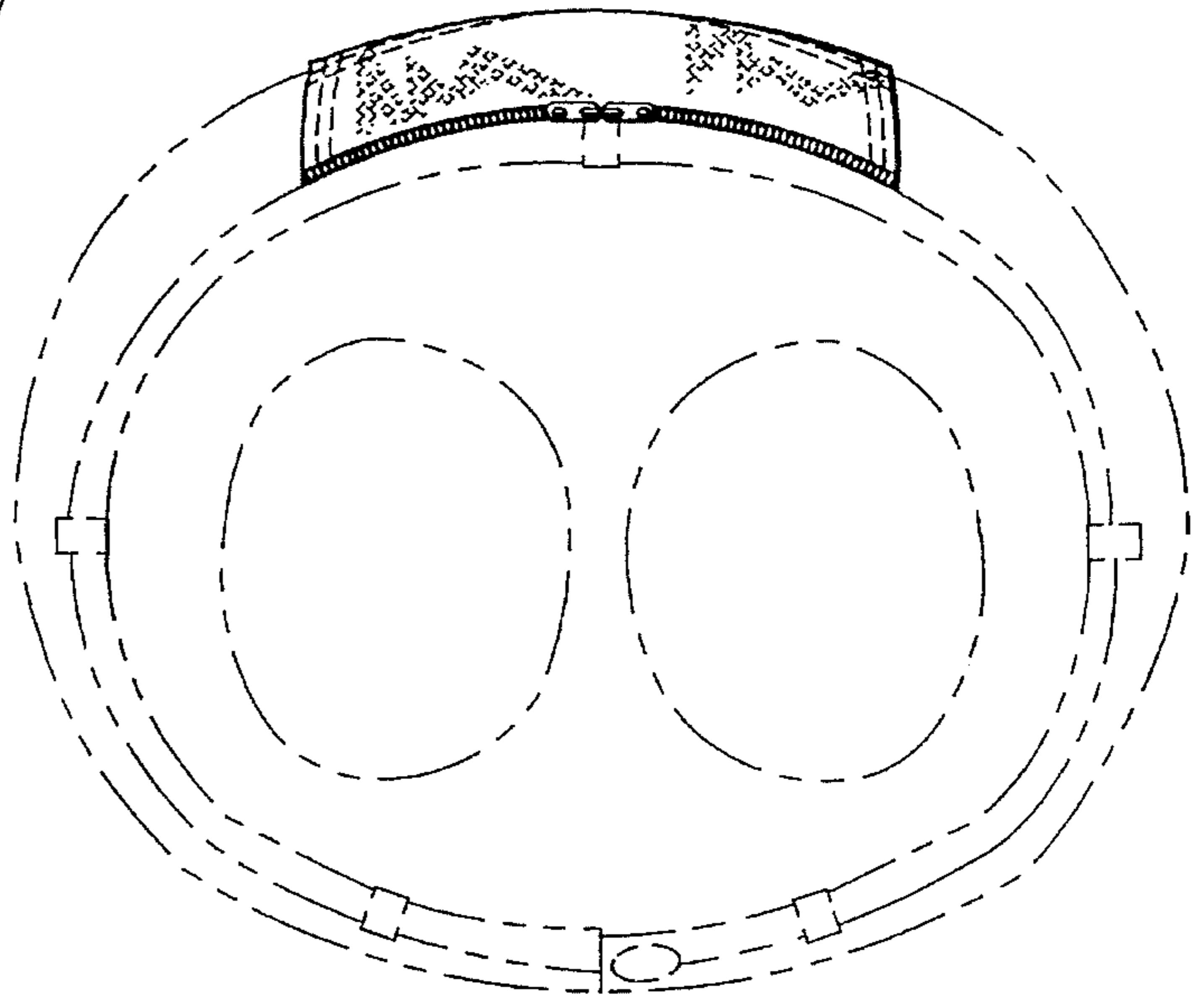


Fig. 4

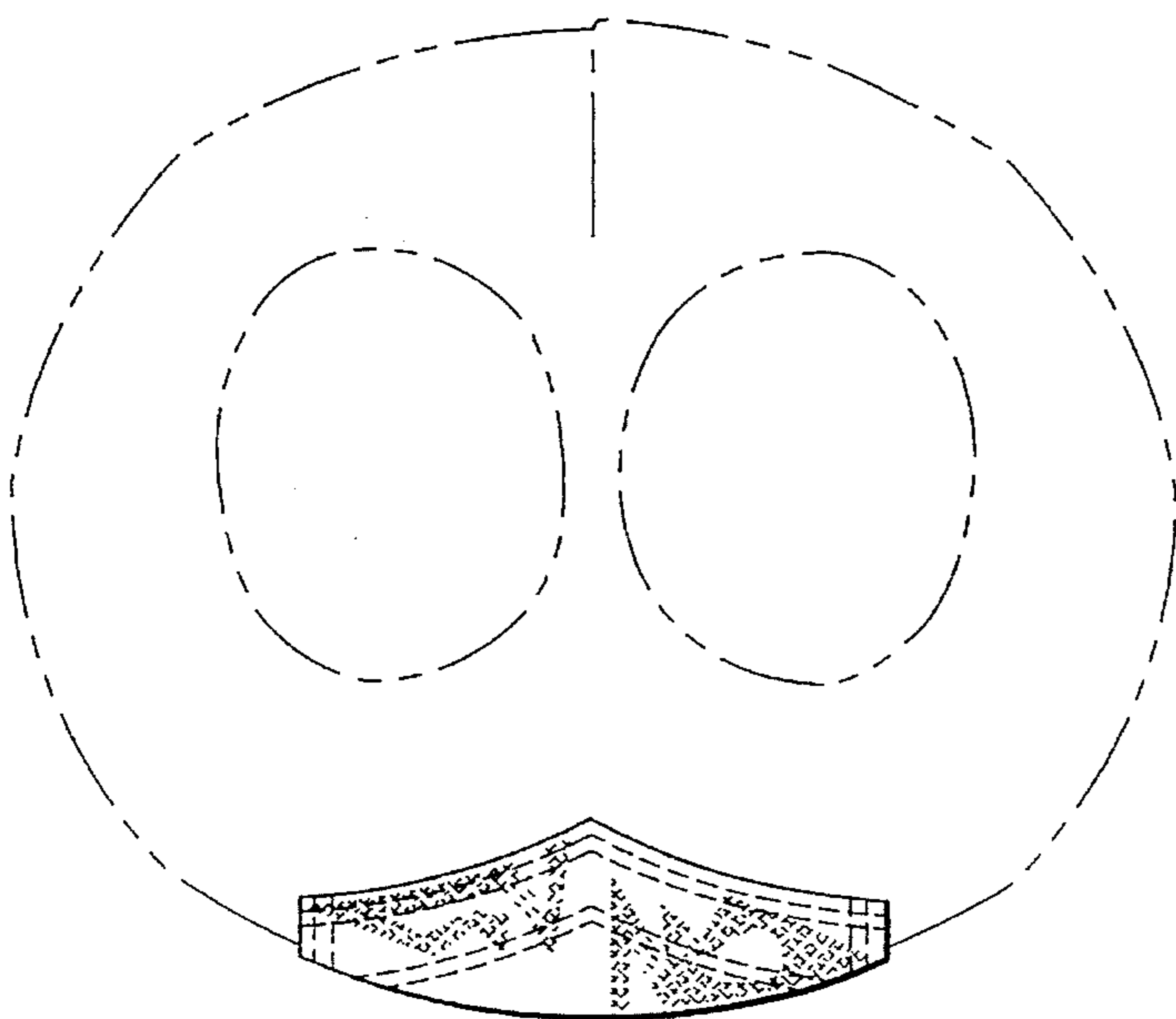


Fig. 5