



US00D362947S

United States Patent [19]

[11] Patent Number: **Des. 362,947**

Baker

[45] Date of Patent: ****Oct. 10, 1995**

[54] **ICE CREAM CONE HOLDER**

[76] Inventor: **Christopher P. Baker**, 1009 5th St.,
Moundsville, W. Va. 26041

[**] Term: **14 Years**

[21] Appl. No.: **6,925**

[22] Filed: **Apr. 9, 1993**

[52] U.S. Cl. **D1/105; D6/518**

[58] Field of Search D1/102, 103, 104,
D1/105; D21/232; 426/143, 139, 132, 101,
95; 206/233; 210/474, 478, 481, 483; 221/303;
D19/79, 85, 77, 65; D30/131, 129, 121,
133; D34/1, 39; D6/515, 516, 530-540,
522, 523, 528; D11/155

[56] **References Cited**

U.S. PATENT DOCUMENTS

D. 187,955	5/1960	Restaino et al.	D6/515
D. 203,436	1/1966	Conway et al.	D1/100
D. 277,556	2/1985	Pappas	D10/15 X
D. 317,222	6/1991	Dodge .	

D. 340,744	10/1993	Van Eijben et al.	D19/65 X
2,045,730	6/1936	Schepman et al.	426/132
2,362,595	11/1944	Torrison	426/132 X
2,948,452	8/1960	Grogan .	
3,306,512	2/1967	Pagnini .	
4,199,076	4/1980	Brown	D6/516 X

Primary Examiner—A. Hugo Word
Assistant Examiner—Pamela Burgess
Attorney, Agent, or Firm—Terry M. Gerstein

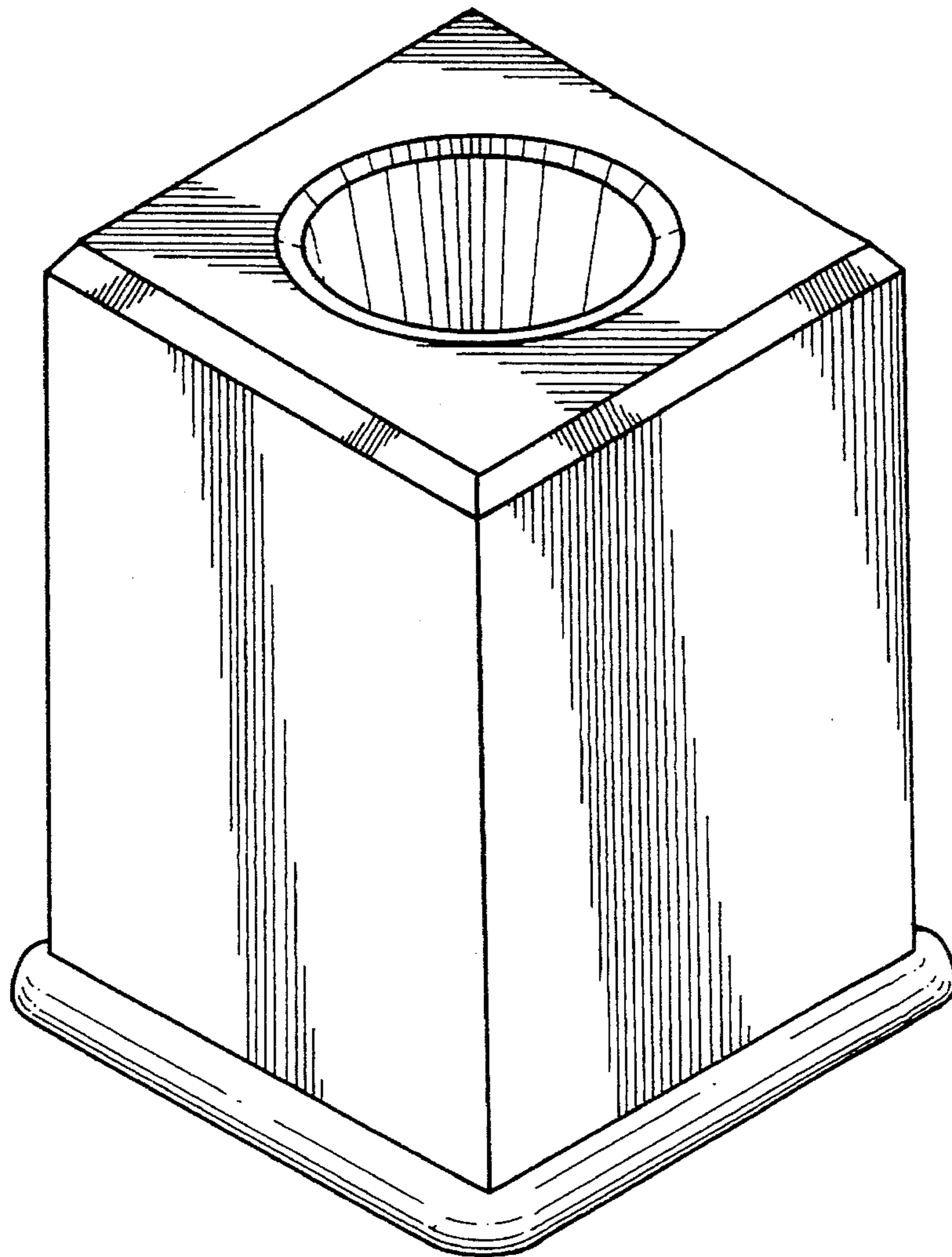
[57] **CLAIM**

The ornamental design for an ice cream cone holder, as shown and described.

DESCRIPTION

FIG. 1 is a front, top and side perspective view of the ice cream cone holder showing my new design;
FIG. 2 is an elevational view thereof, all elevational views being identical;
FIG. 3 is a top plan view thereof; and,
FIG. 4 is a bottom plan view thereof.

1 Claim, 2 Drawing Sheets



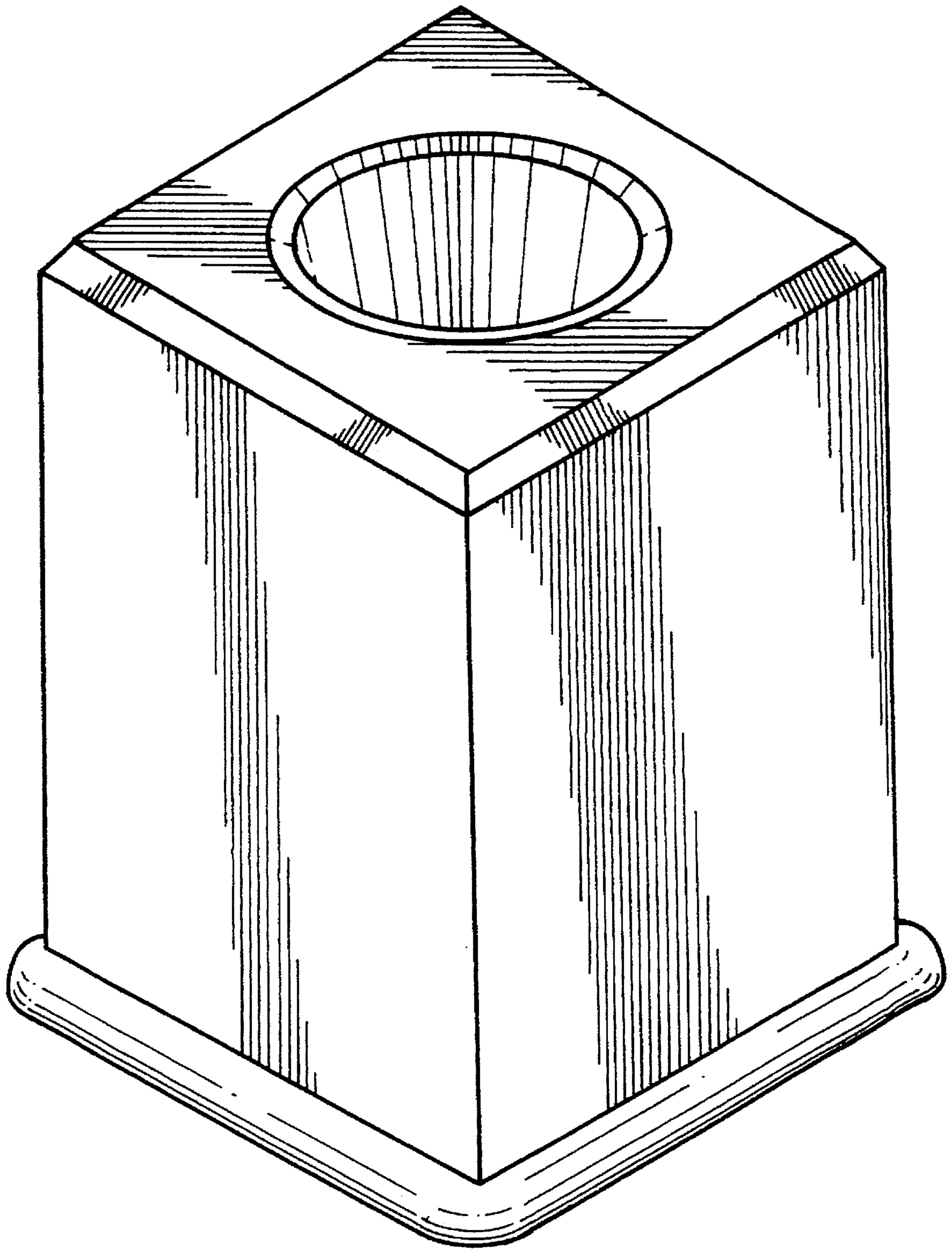


FIG. 1.

FIG. 3.

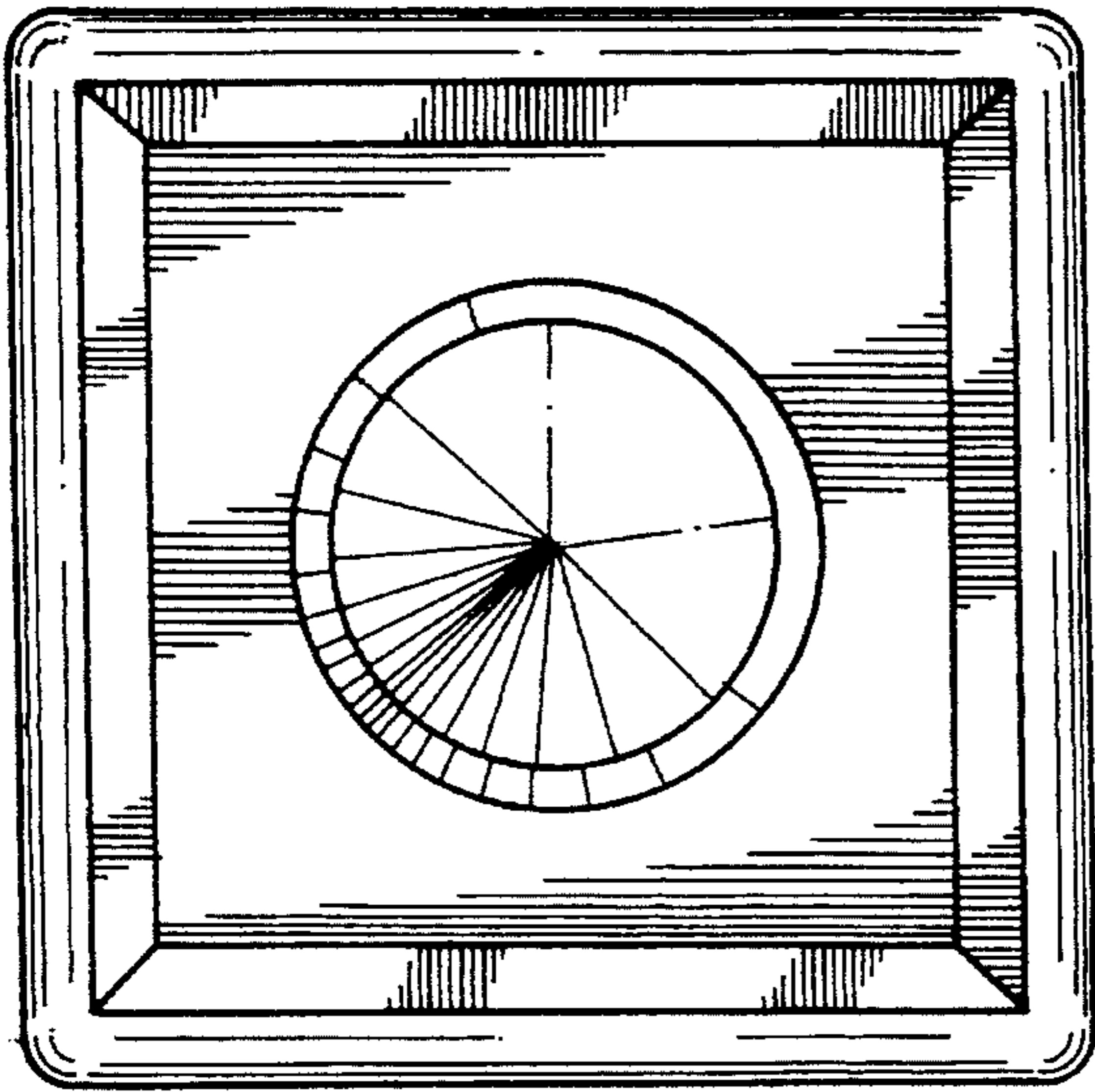


FIG. 4.

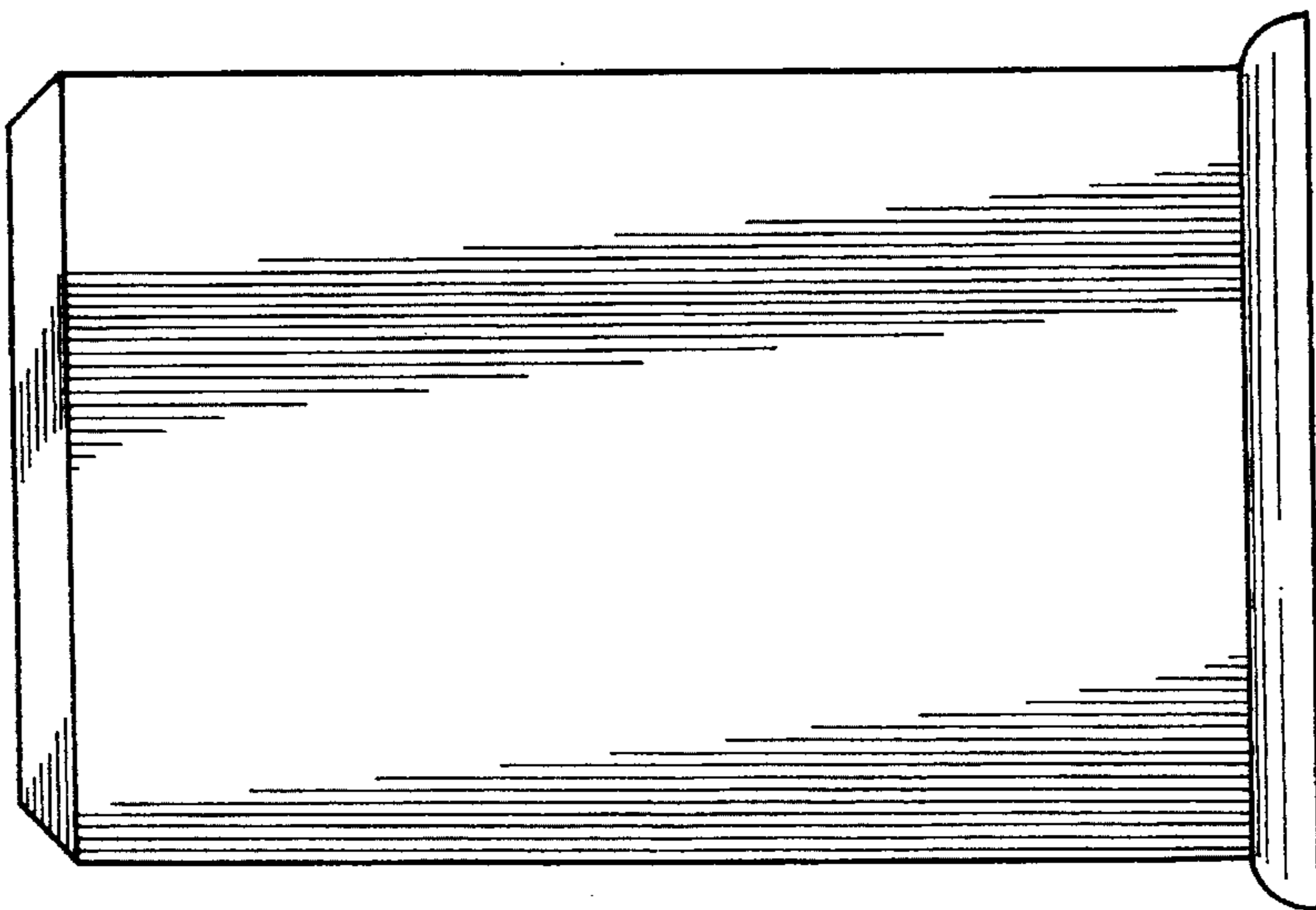
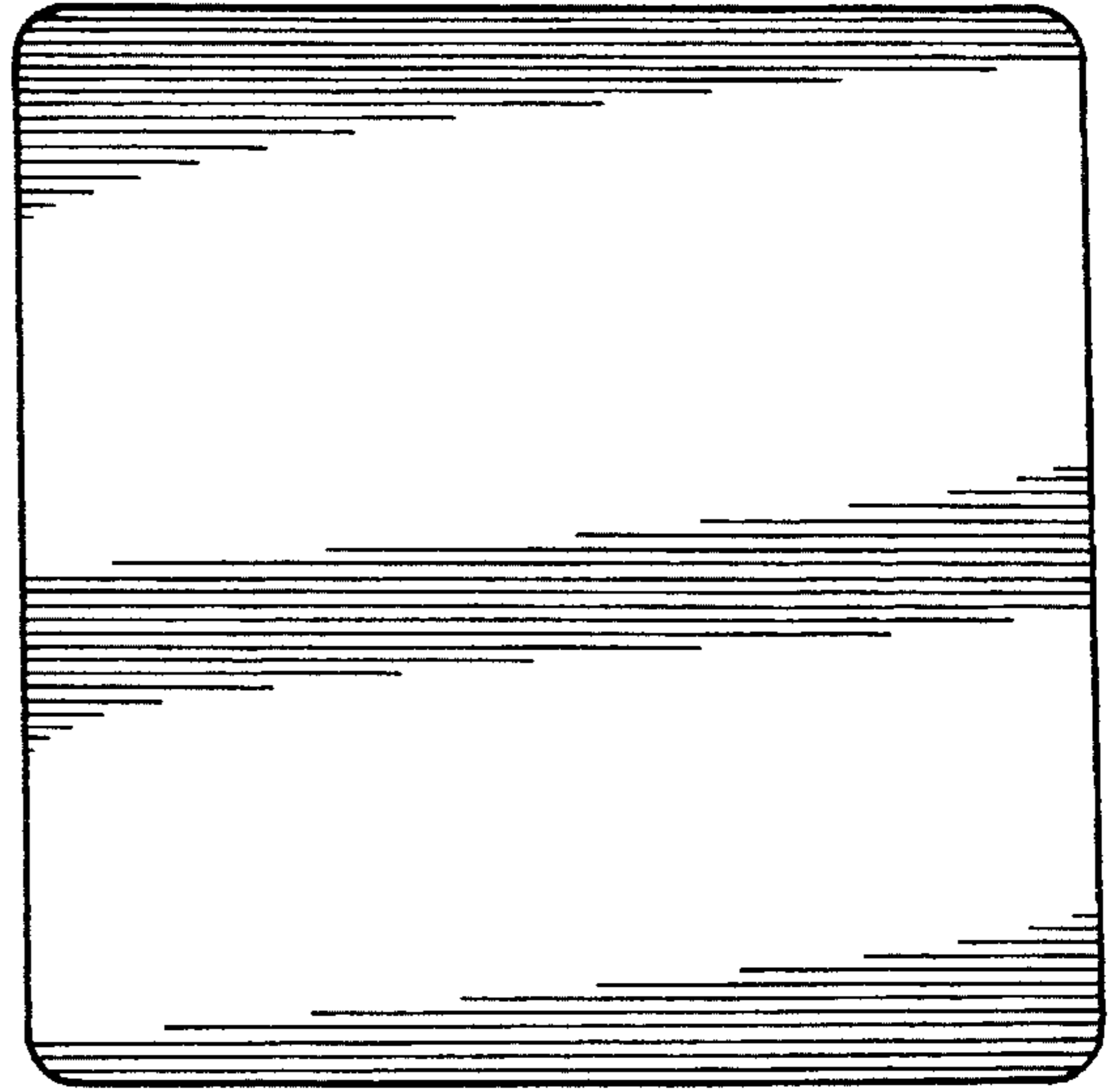


FIG. 2.