



US00D362944S

United States Patent [19]

[11] Patent Number: **Des. 362,944**

Sham et al.

[45] Date of Patent: ****Oct. 3, 1995**

[54] STEAM AND DRY IRON

FOREIGN PATENT DOCUMENTS

[75] Inventors: **John C. K. Sham**, Hong Kong; **Yu S. Kwong**, Tsuen Wan, both of Hong Kong

1257695 11/1986 Japan 38/77.5

[73] Assignee: **Wing Shing Products Co., Ltd.**, Aberdeen, Hong Kong

Primary Examiner—James M. Gandy
Assistant Examiner—Lavone D. Tabor

[**] Term: **14 Years**

[57] CLAIM

[21] Appl. No.: **770,951**

The ornamental design for a steam and dry iron, as shown and described.

[22] Filed: **Oct. 1, 1991**

DESCRIPTION

[52] U.S. Cl. **D32/70**

[58] Field of Search D32/68-72; 38/74-75, 38/77.1, 77.2, 77.5, 77.7, 77.8, 82, 85, 88, 90, 93; 219/245, 248, 250, 254-259

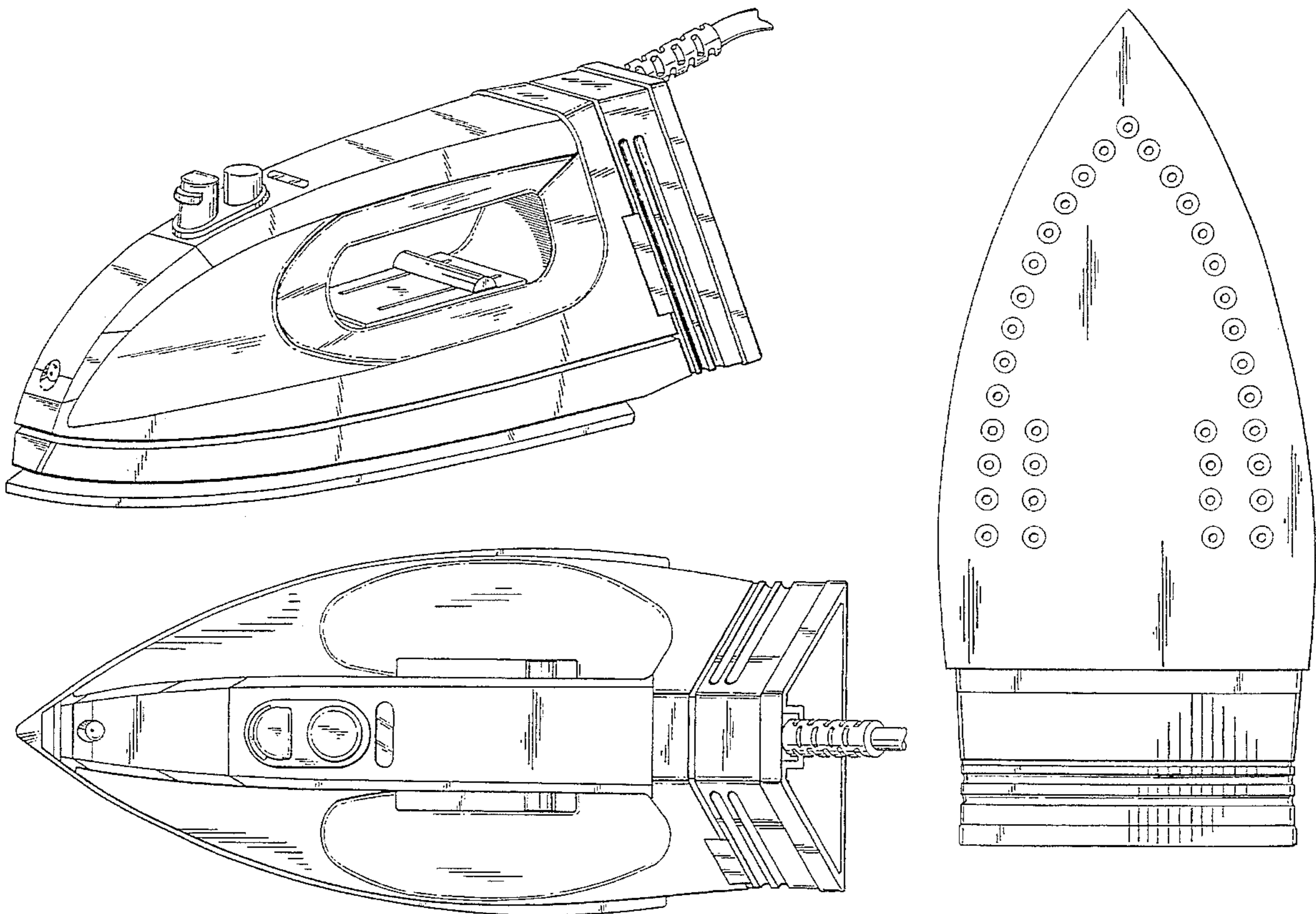
FIG. 1 illustrates a top, front and side perspective view of our new design for a steam and dry iron;
FIG. 2 illustrates a side elevational view thereof, the opposite side, except for the absence of the rectangular element shown to the lower right of the handle opening in FIG. 2, being the same in appearance;
FIG. 3 illustrates a top plan view thereof;
FIG. 4 illustrates a front elevational view thereof;
FIG. 5 illustrates a rear elevational view thereof; and,
FIG. 6 illustrates a bottom plan view thereof.

[56] References Cited

U.S. PATENT DOCUMENTS

- D. 290,889 7/1987 Steinkamp D32/70
- D. 315,433 3/1991 Chen D32/68
- D. 327,150 6/1992 Gudefin et al. D32/70

1 Claim, 6 Drawing Sheets



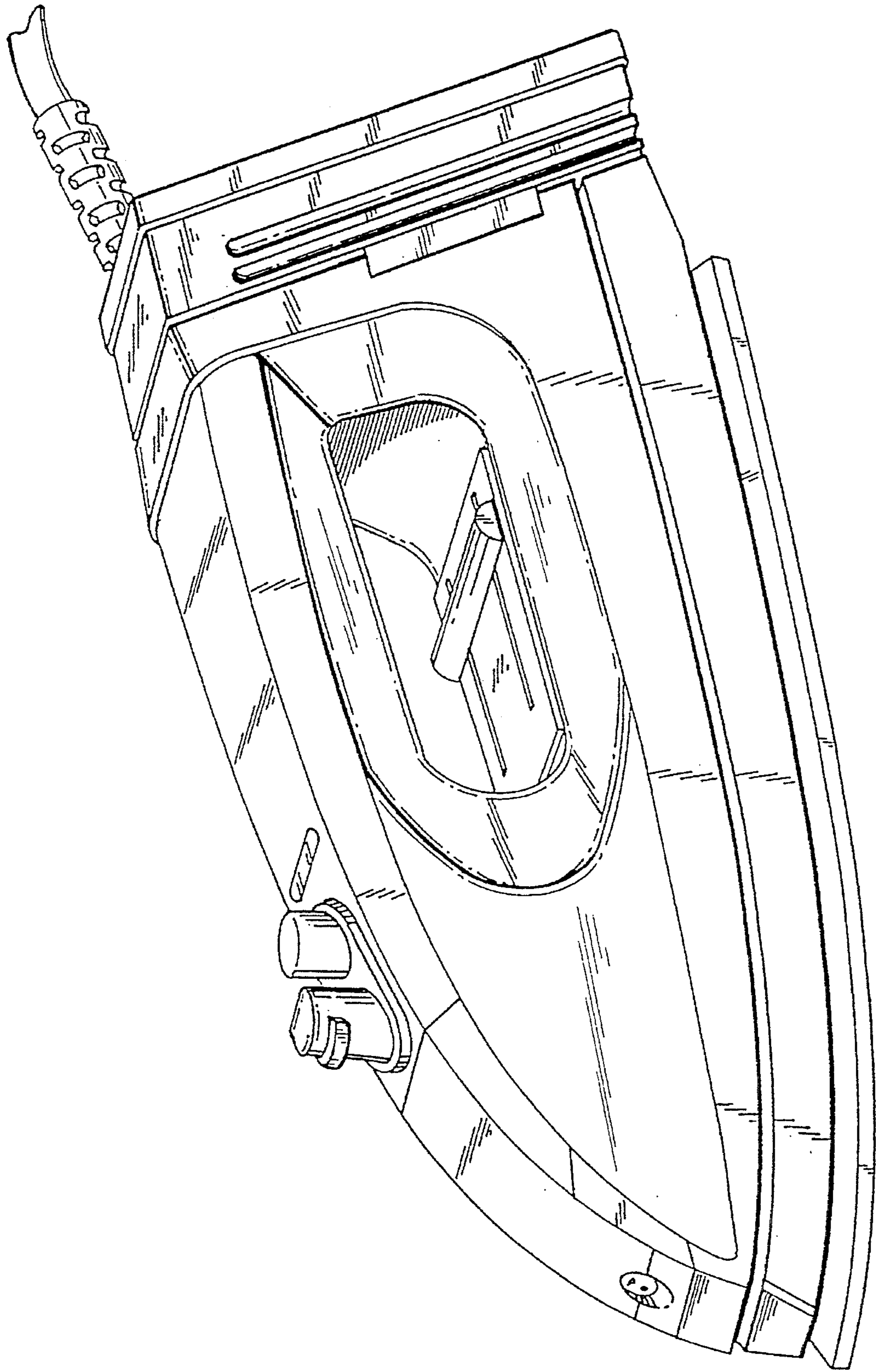


FIG. 1

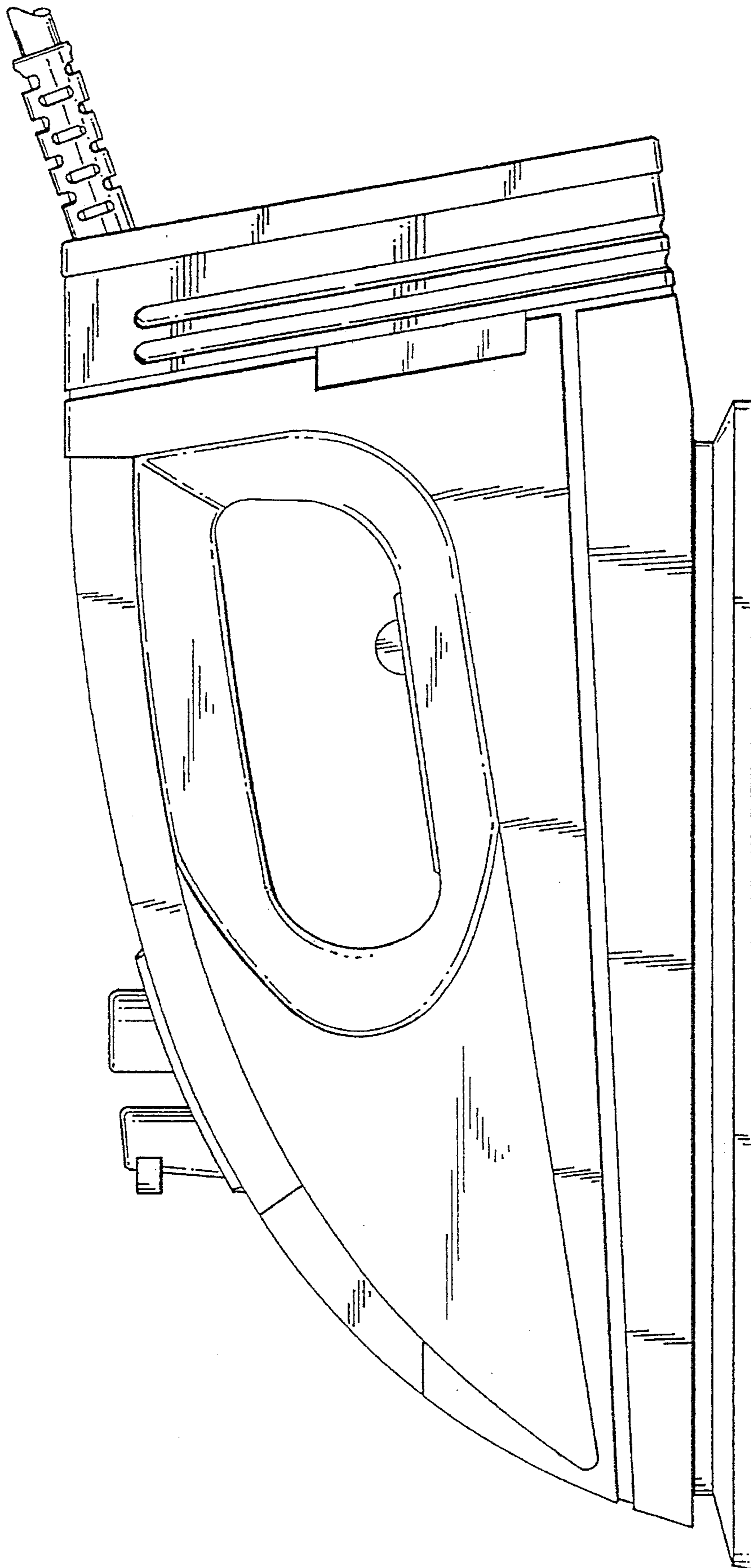


FIG. 2

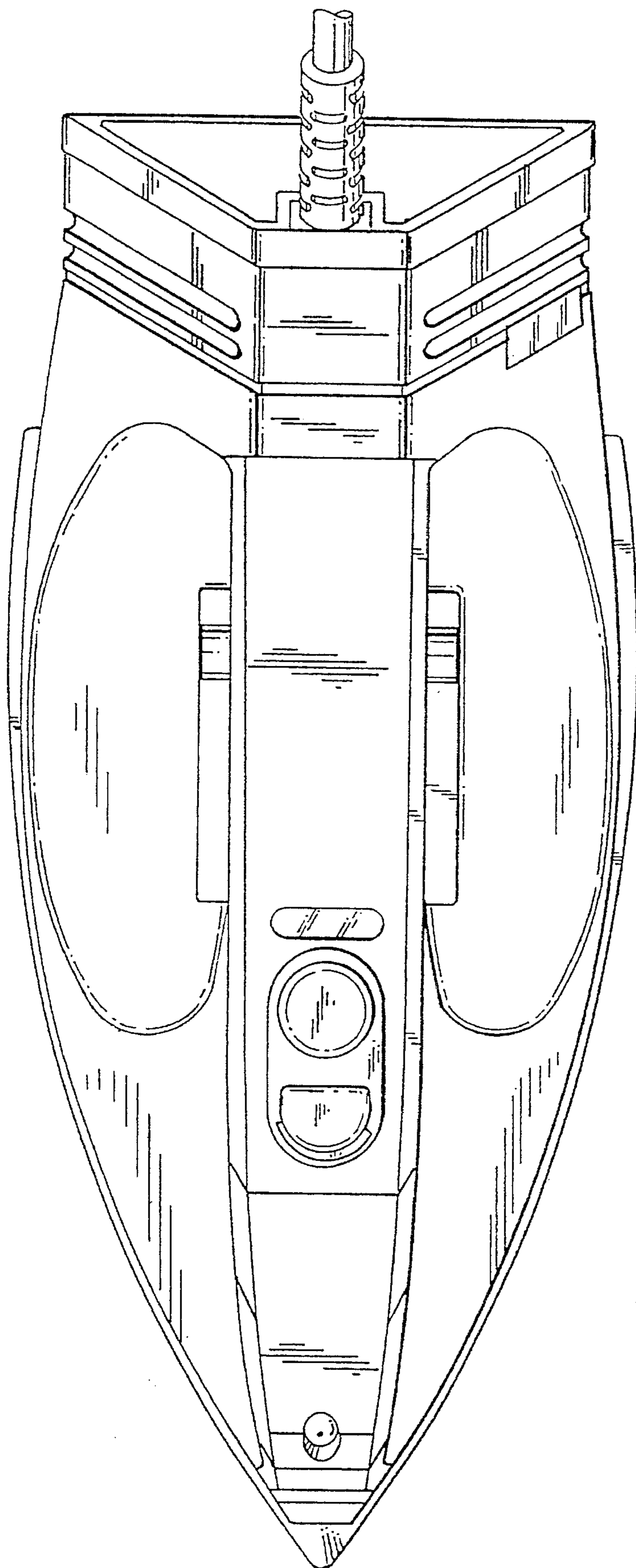


FIG. 3

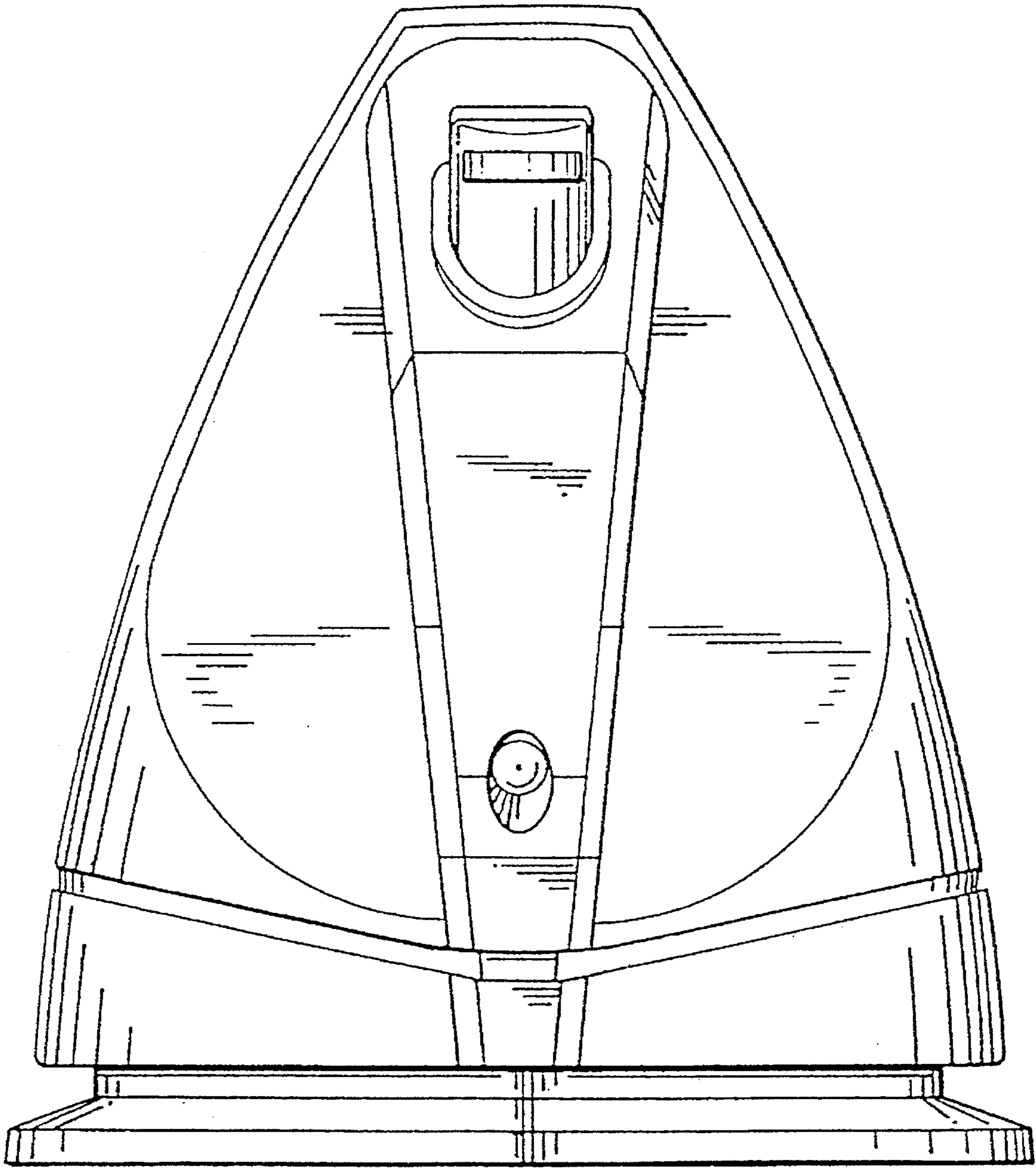


FIG. 4

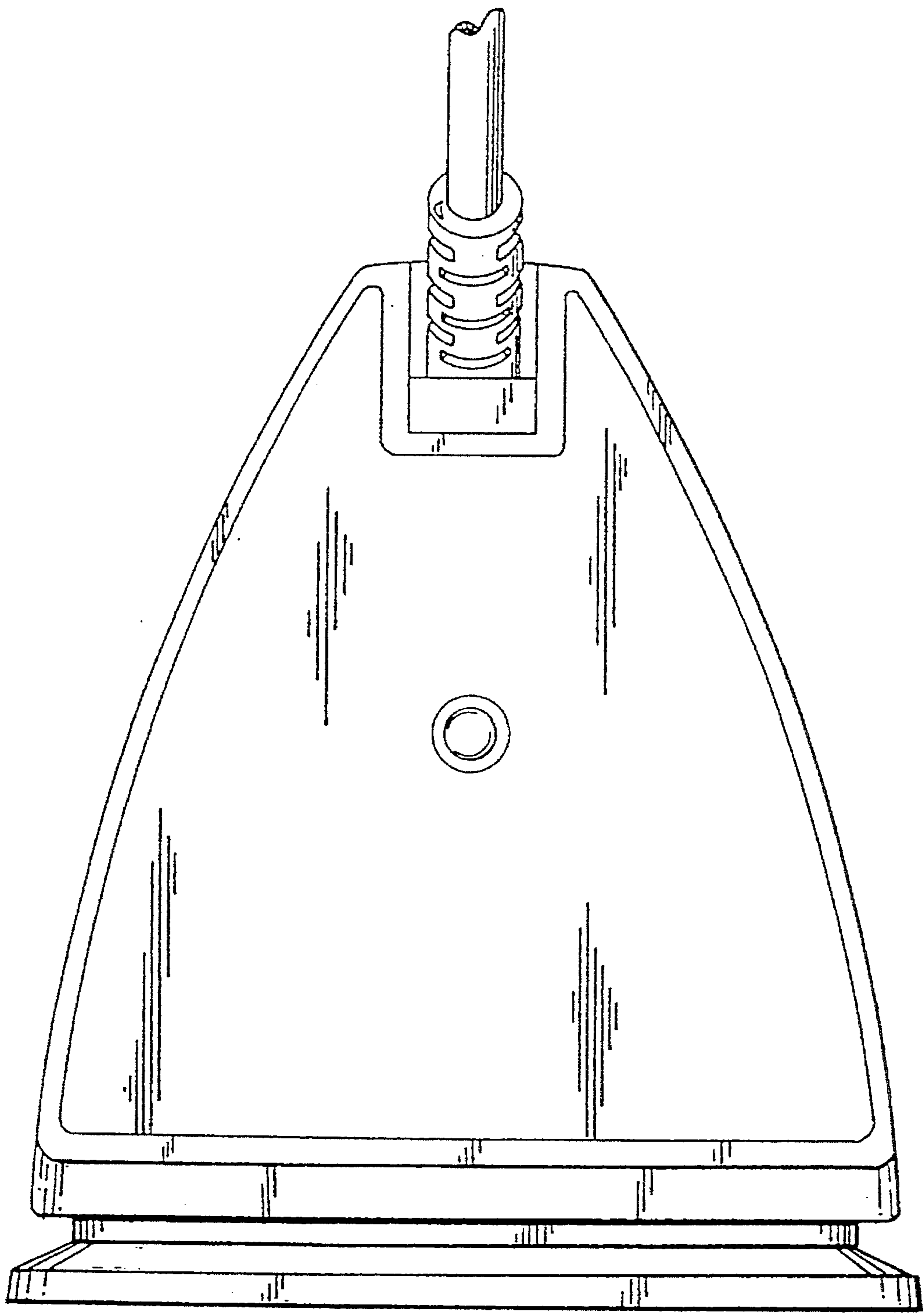


FIG. 5

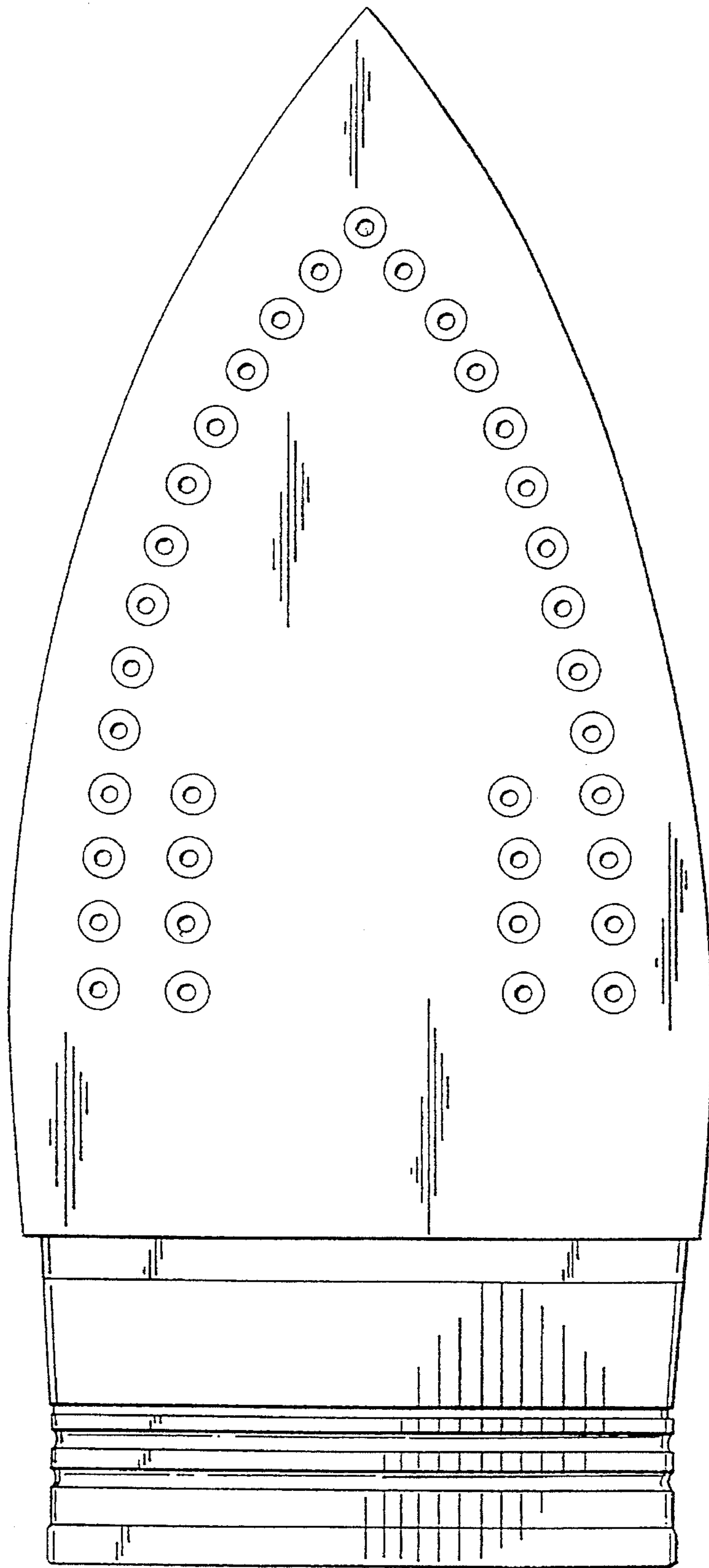


FIG. 6