



US00D362943S

United States Patent [19]

[11] Patent Number: **Des. 362,943**

Licari

[45] Date of Patent: ****Oct. 3, 1995**

[54] **DISH RACK**

[76] Inventor: **Yaffa Licari**, 875 Ocean Ave., Elberon, N.J. 07740

[**] Term: **14 Years**

[21] Appl. No.: **31,121**

[22] Filed: **Nov. 17, 1994**

Related U.S. Application Data

[63] Continuation-in-part of Ser. No. 19,893, Mar. 11, 1994, abandoned.

[52] U.S. Cl. **D32/55**

[58] Field of Search D32/3, 55-58; D3/304, 306, 260; D6/462; 4/637-638, 656; 211/13, 41; 248/128, 346; 220/571-572, 487-488

[56] References Cited

U.S. PATENT DOCUMENTS

D. 162,925	4/1951	Berkowitz	D6/462
D. 217,491	5/1970	Wooters	D32/55
D. 221,678	8/1971	Gottsegen	D32/55
D. 297,489	9/1988	Chap et al.	D6/462
415,634	11/1889	Gruphill	211/41
3,465,892	9/1969	Taylor	211/41

Primary Examiner—A. Hugo Word

Assistant Examiner—Robin V. Taylor

[57] CLAIM

The ornamental design for a dish rack, as shown and described.

DESCRIPTION

FIG. 1 is a perspective view, taken from the top and front, left side, showing one embodiment of a dish rack of my new design;

FIG. 2 is a front elevational view of the dish rack shown in FIG. 1, the rear elevational view having an identical, through reversed appearance;

FIG. 3 is a top plan view of the dish rack shown in FIG. 1; FIG. 4 is a right side elevational view of the dish rack shown in FIG. 1;

FIG. 5 is a left side elevational view of the dish rack shown in FIG. 1;

FIG. 6 is a bottom plan view of the dish rack shown in FIG. 1;

FIG. 7 is a perspective view, taken from the top and front, left side, showing another embodiment of a dish rack of my new design;

FIG. 8 is a front elevational view of the dish rack shown in FIG. 7, the rear elevational view having an identical, though reversed appearance;

FIG. 9 is a top plan view of the dish rack shown in FIG. 7; FIG. 10 is a right side elevational view of the dish rack shown in FIG. 7;

FIG. 11 is a left side elevational view of the dish rack shown in FIG. 7;

FIG. 12 is a bottom plan view of the dish rack shown in FIG. 7;

FIG. 13 is a perspective view, taken from the top and front, left side, showing a third embodiment of a dish rack of my new design;

FIG. 14 is a front elevational view of the dish rack shown in FIG. 13;

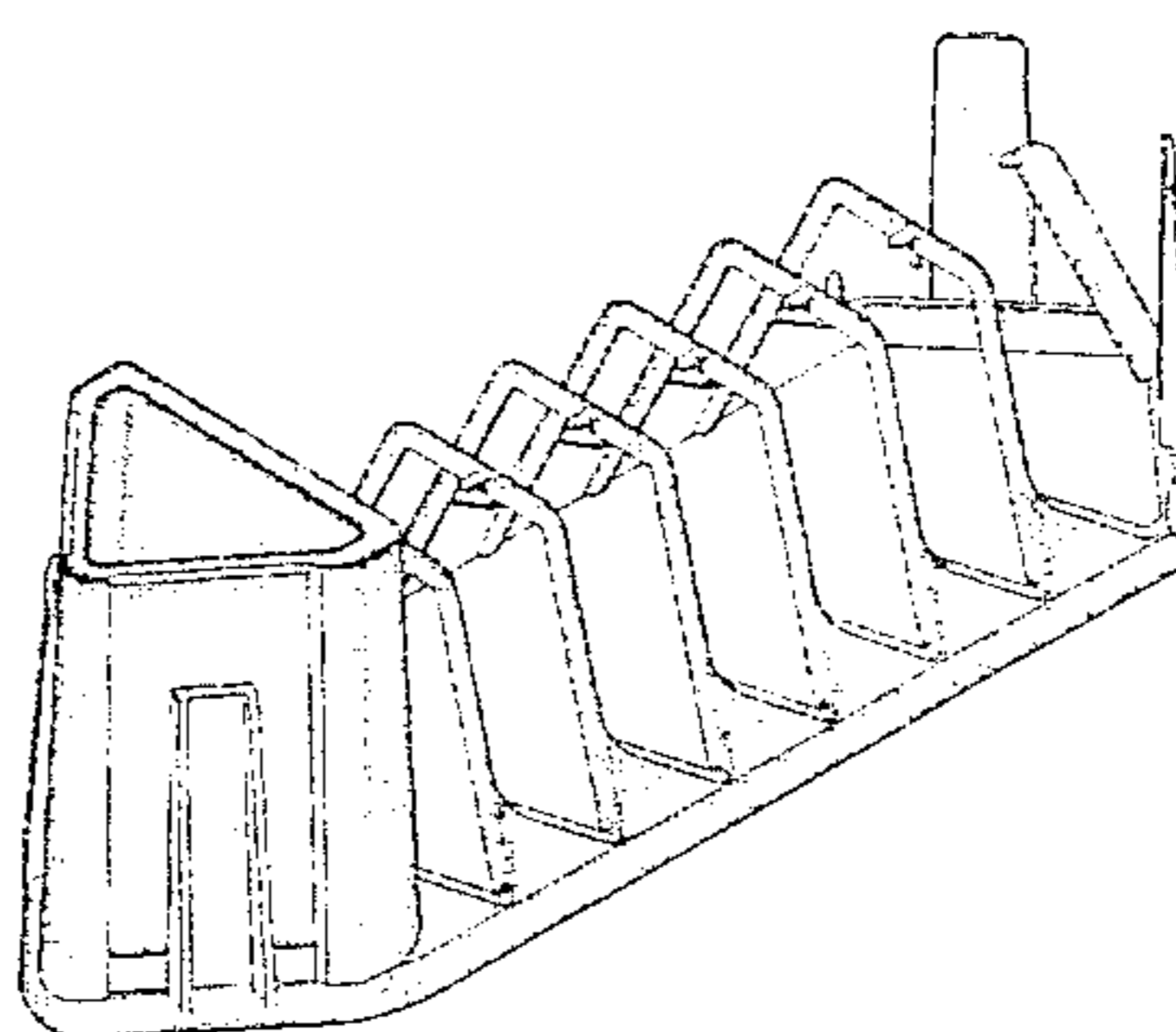
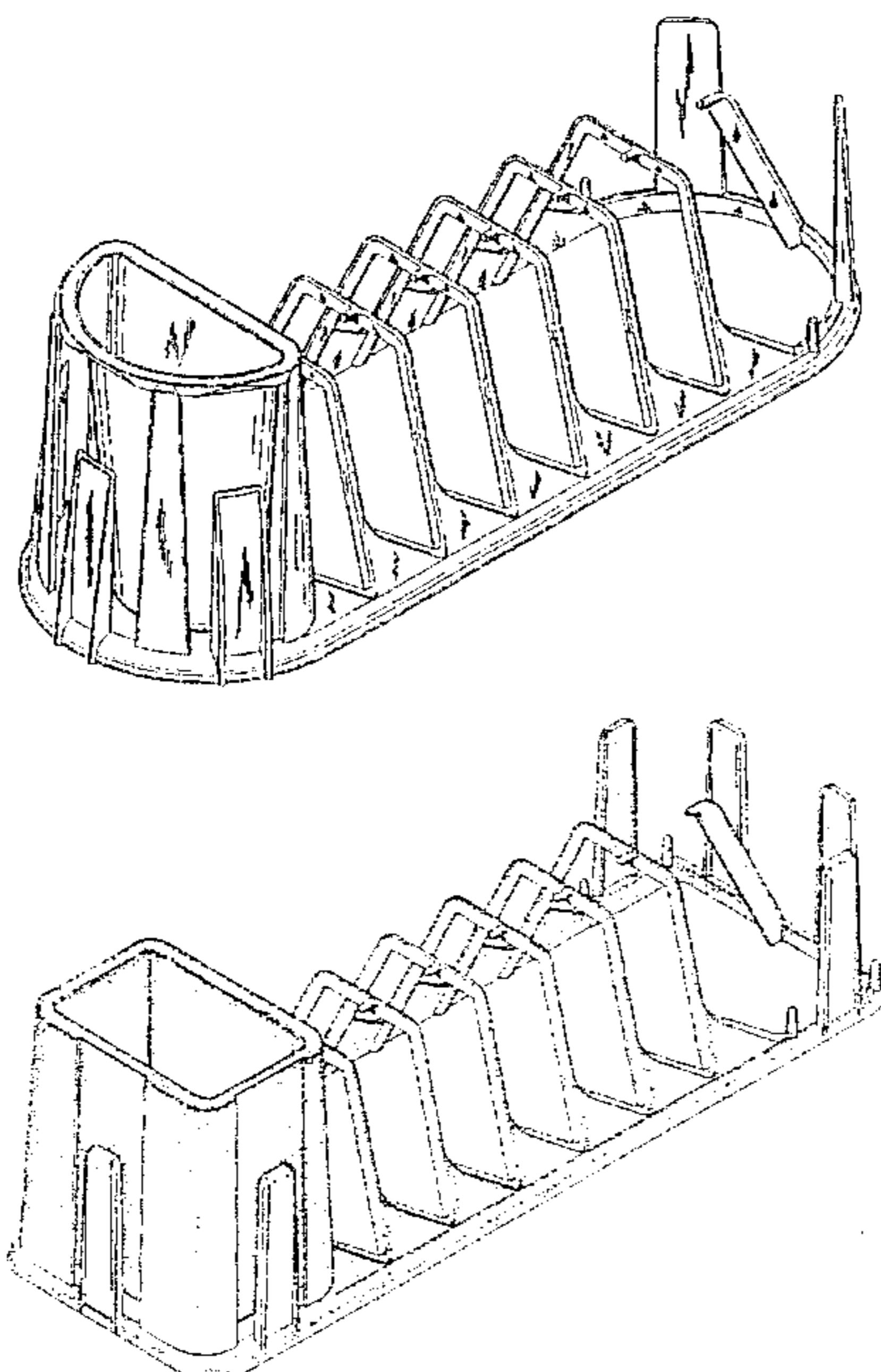
FIG. 15 is a bottom plan view of the dish rack shown in FIG. 13;

FIG. 16 is a right side elevational view of the dish rack shown in FIG. 13;

FIG. 17 is a left side elevational view of the dish rack shown in FIG. 13; and,

FIG. 18 is a top plan view of the dish rack shown in FIG. 13.

1 Claim, 15 Drawing Sheets



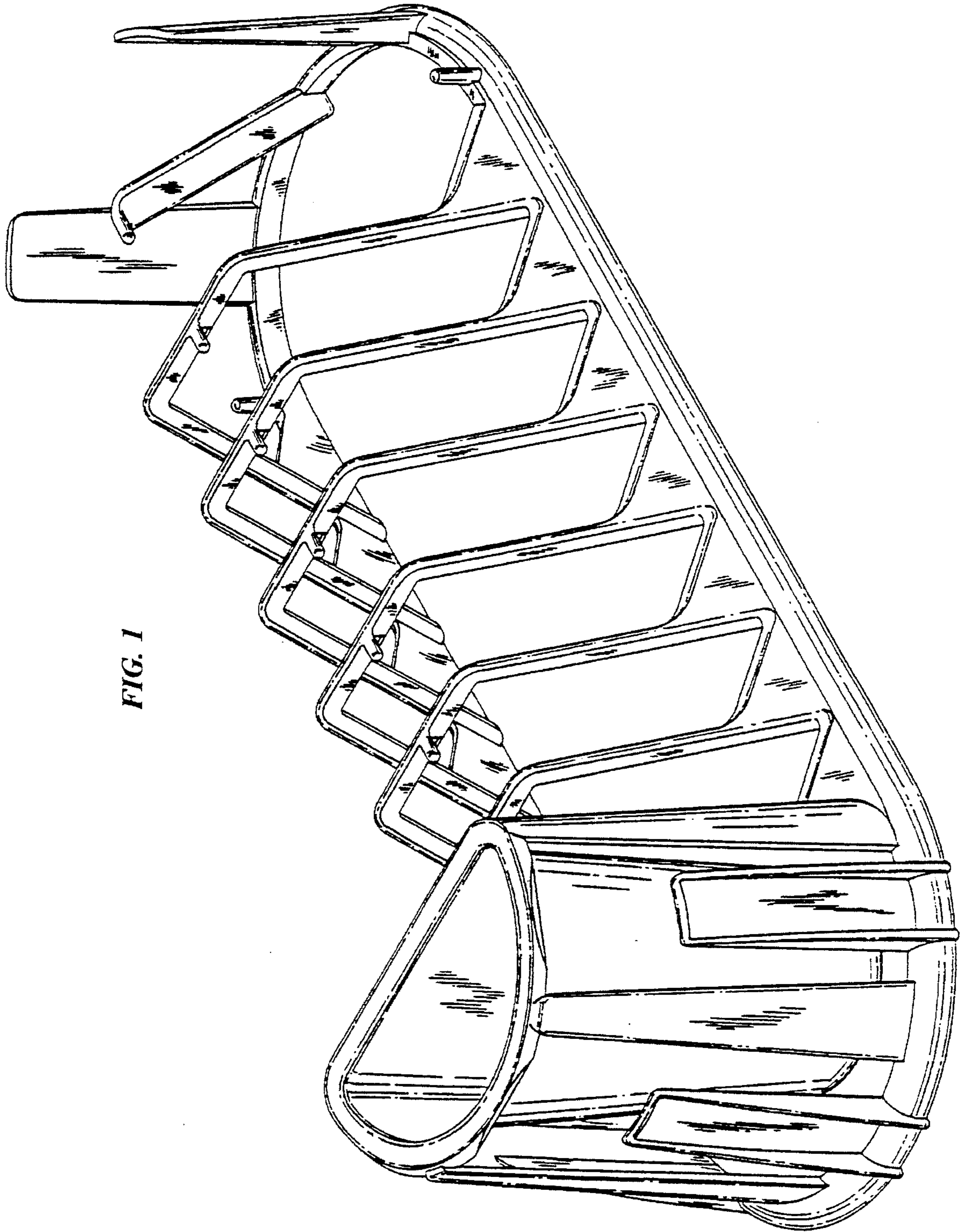


FIG. 1

FIG. 2

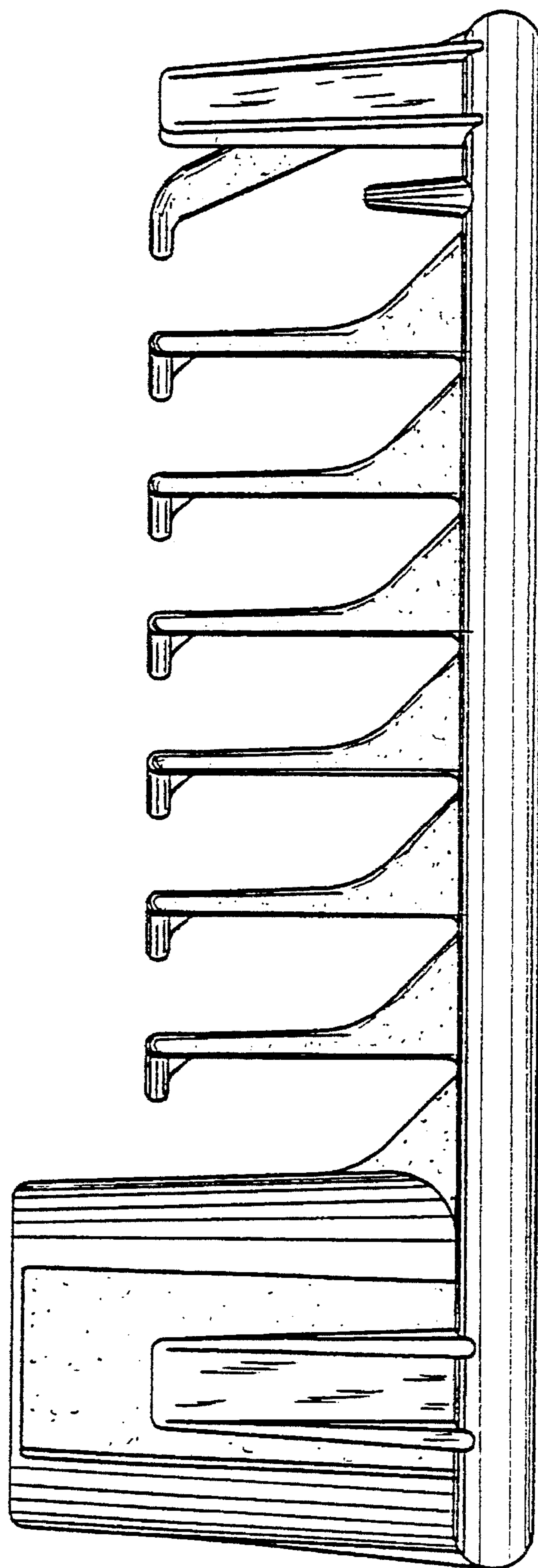
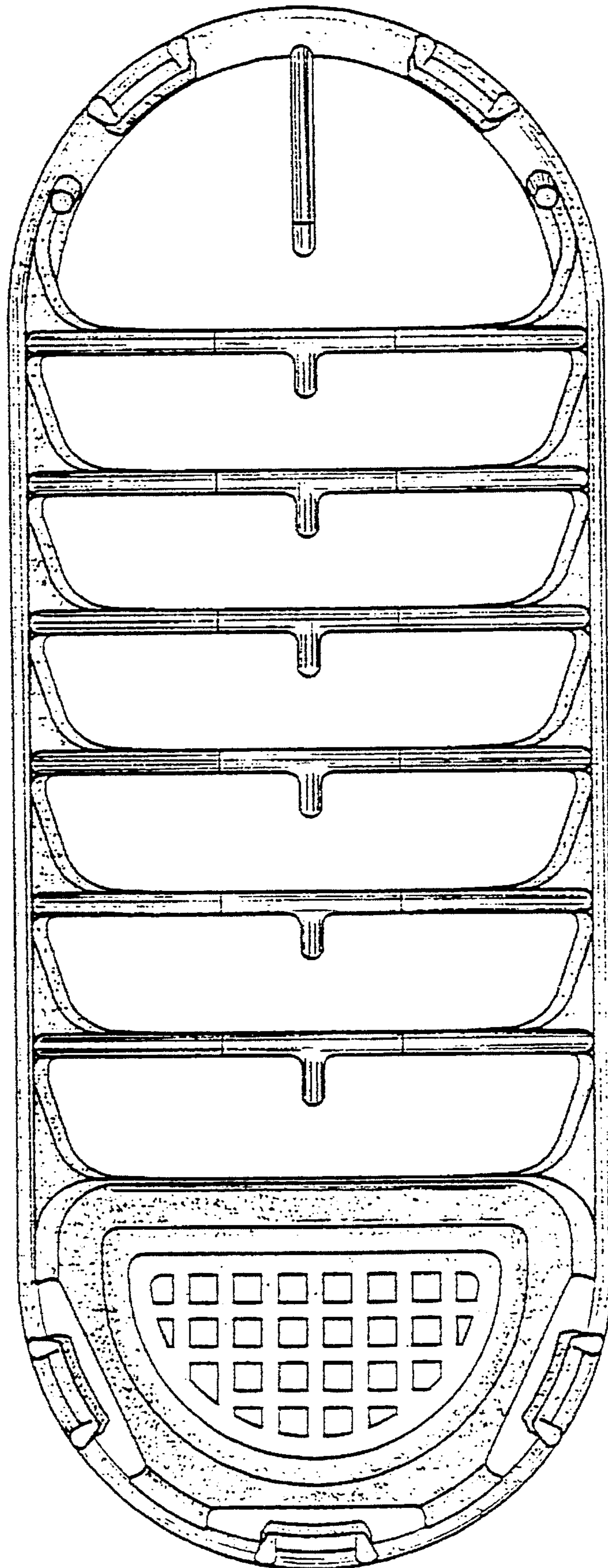


FIG. 3



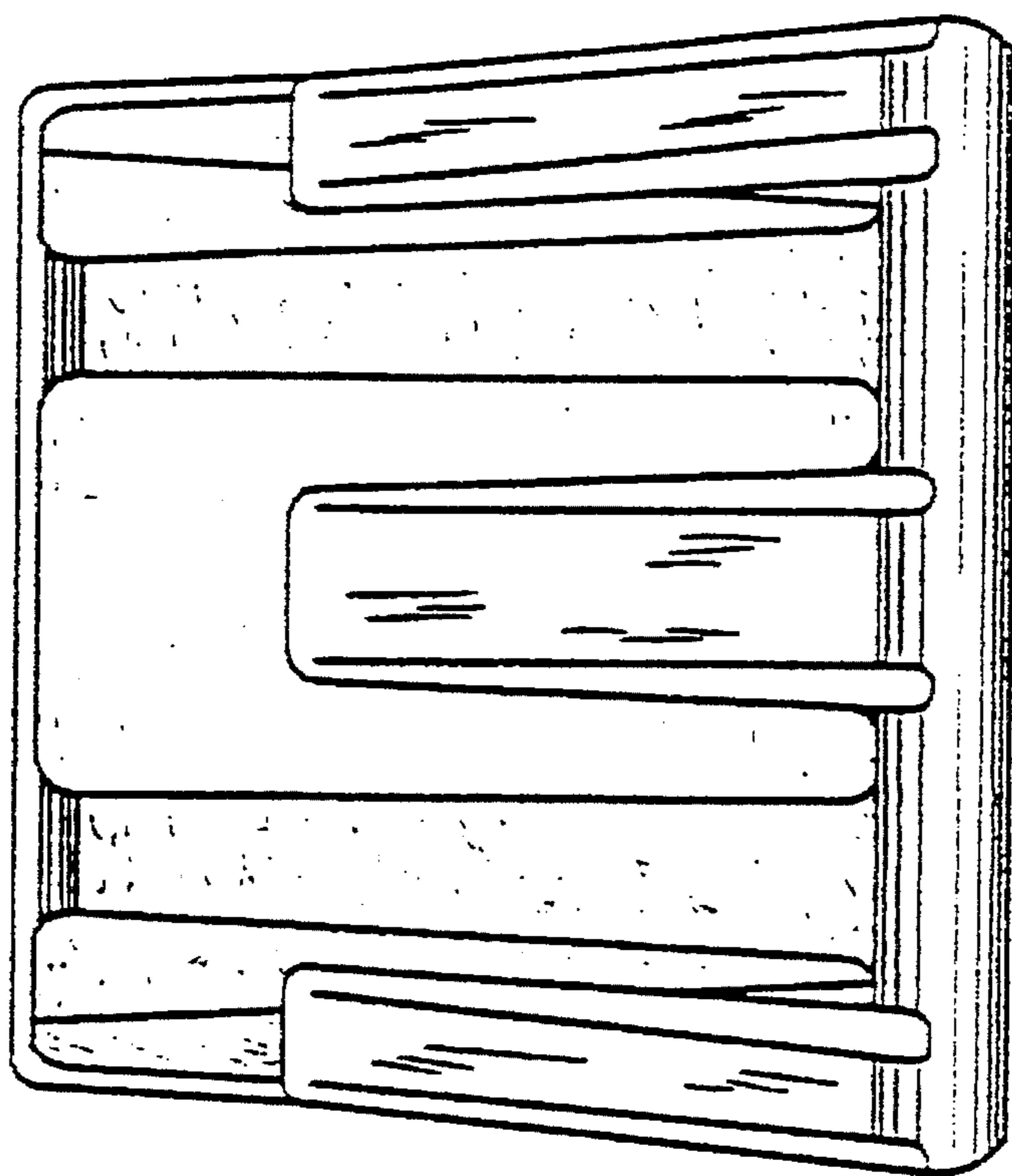


FIG. 5

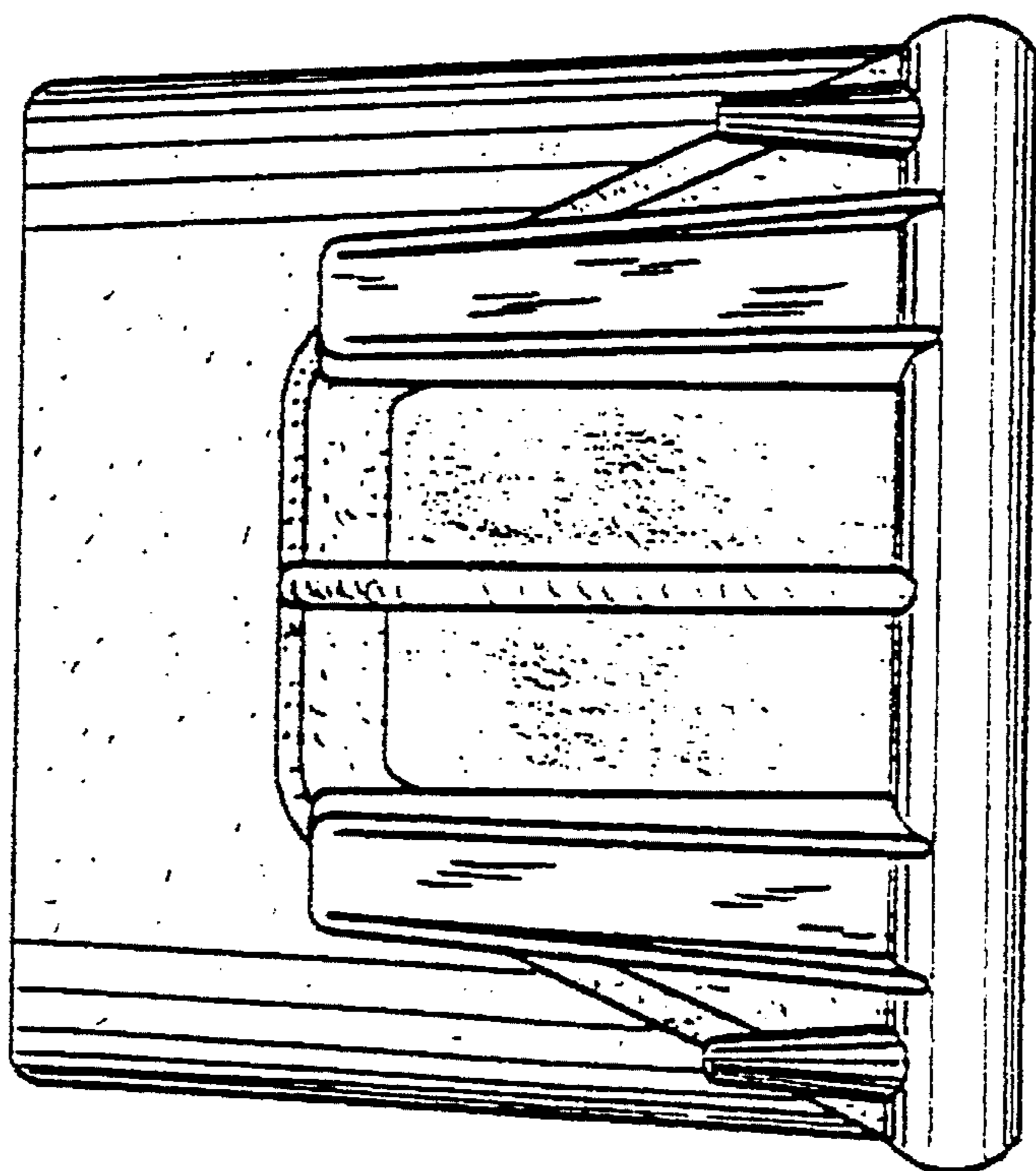
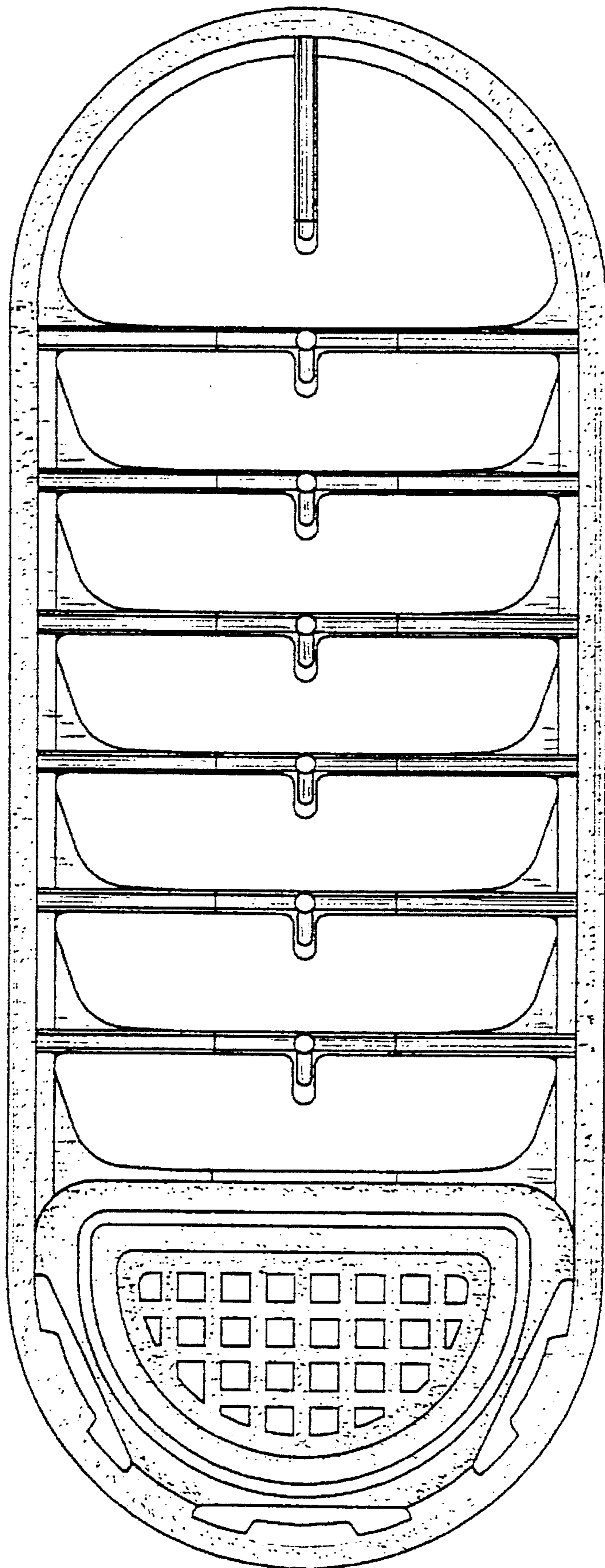


FIG. 4

FIG. 6



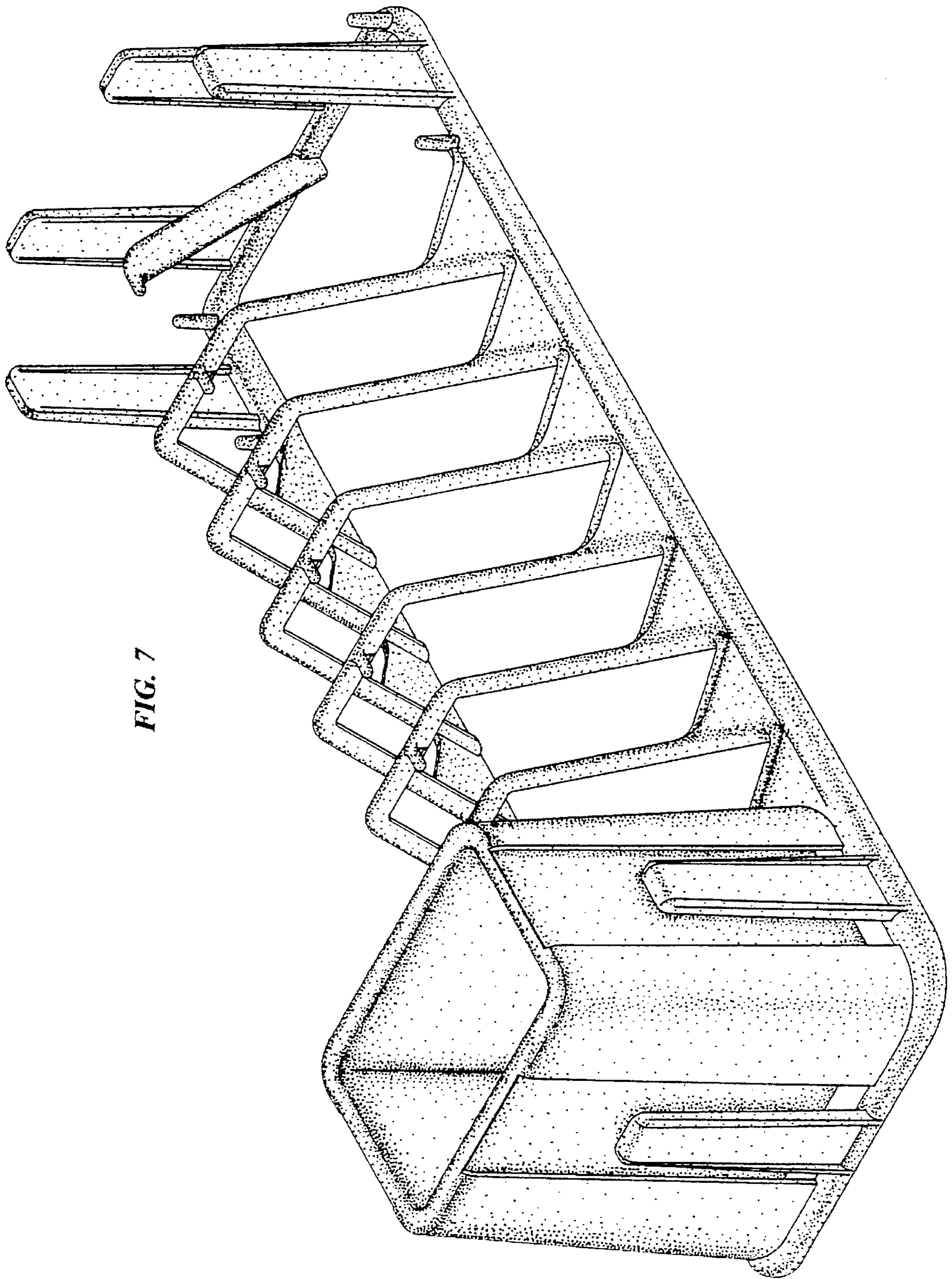


FIG. 7

FIG. 8

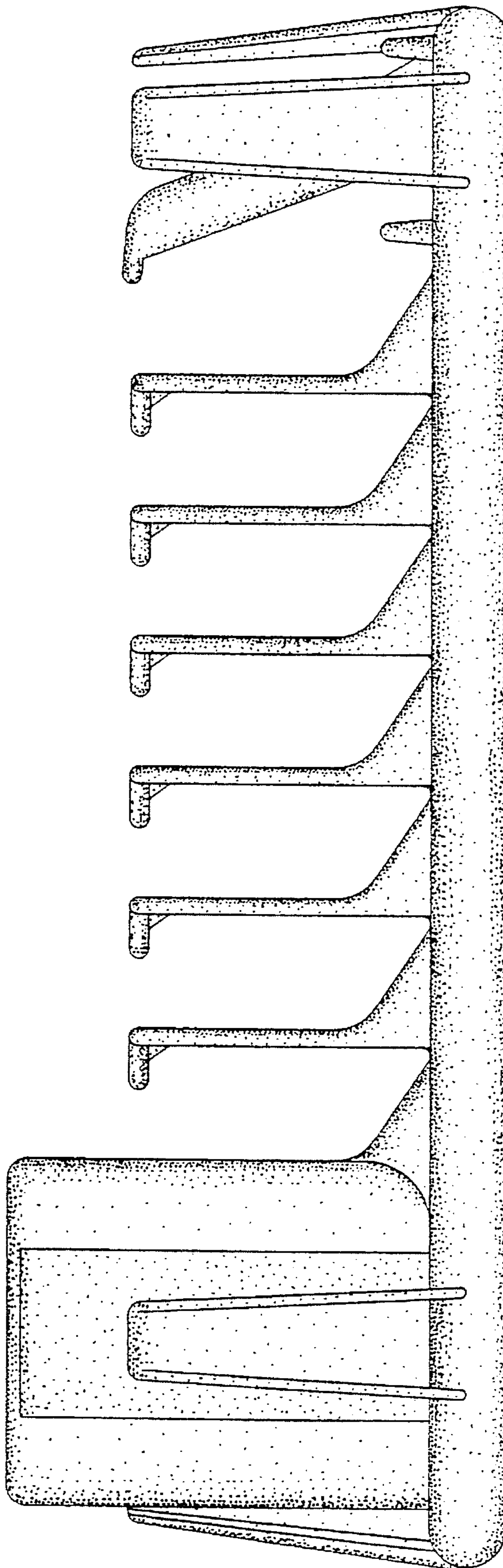


FIG. 9

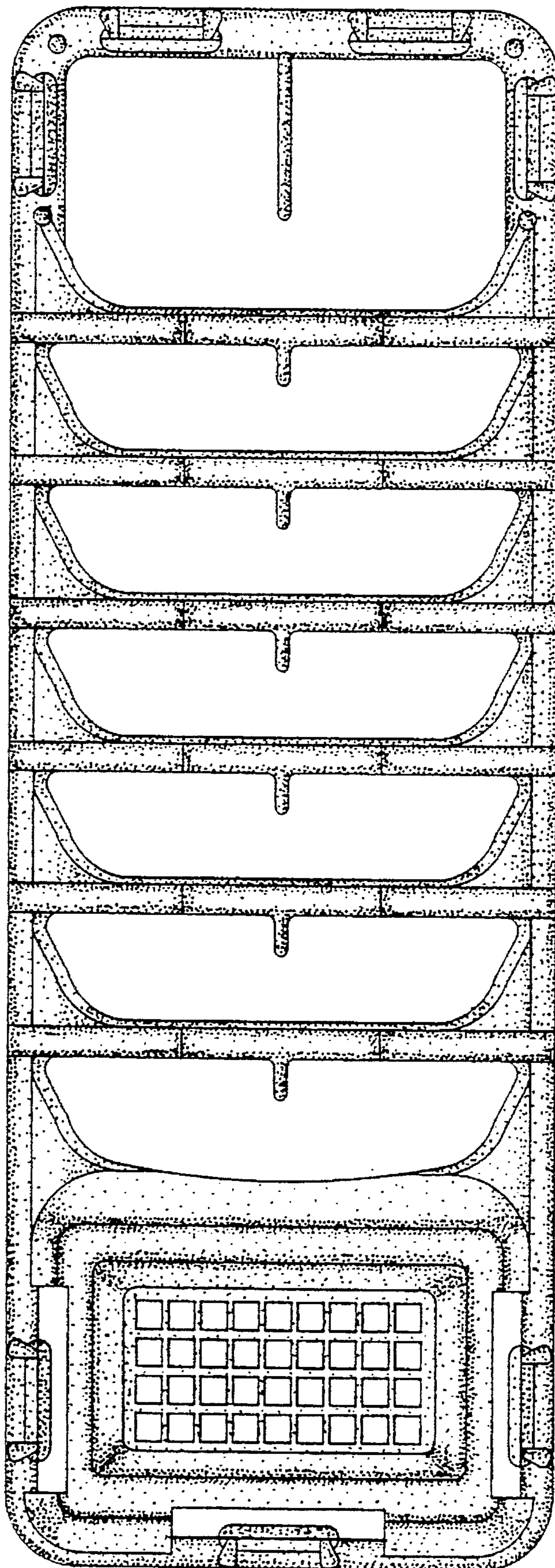


FIG. 11

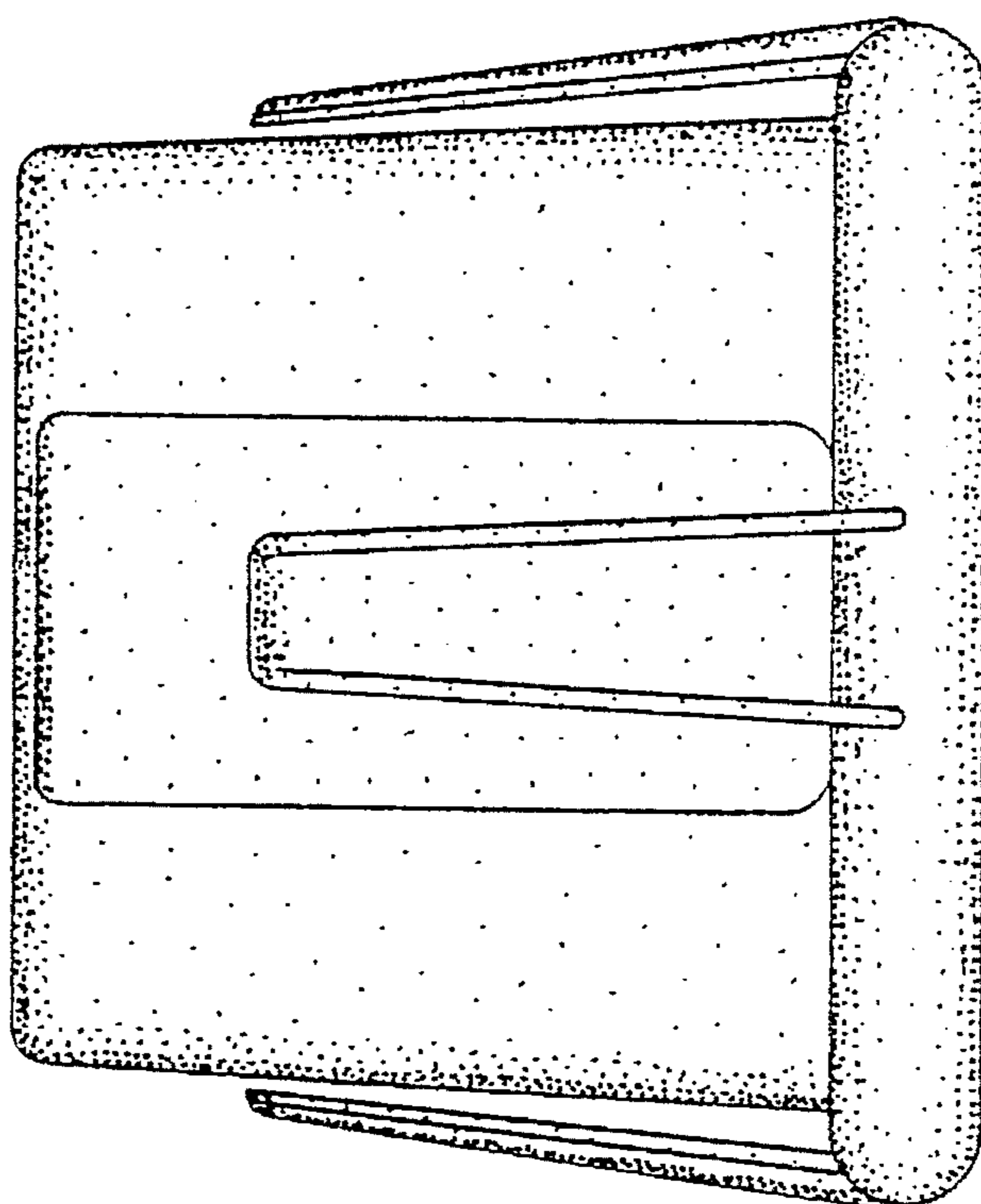


FIG. 10

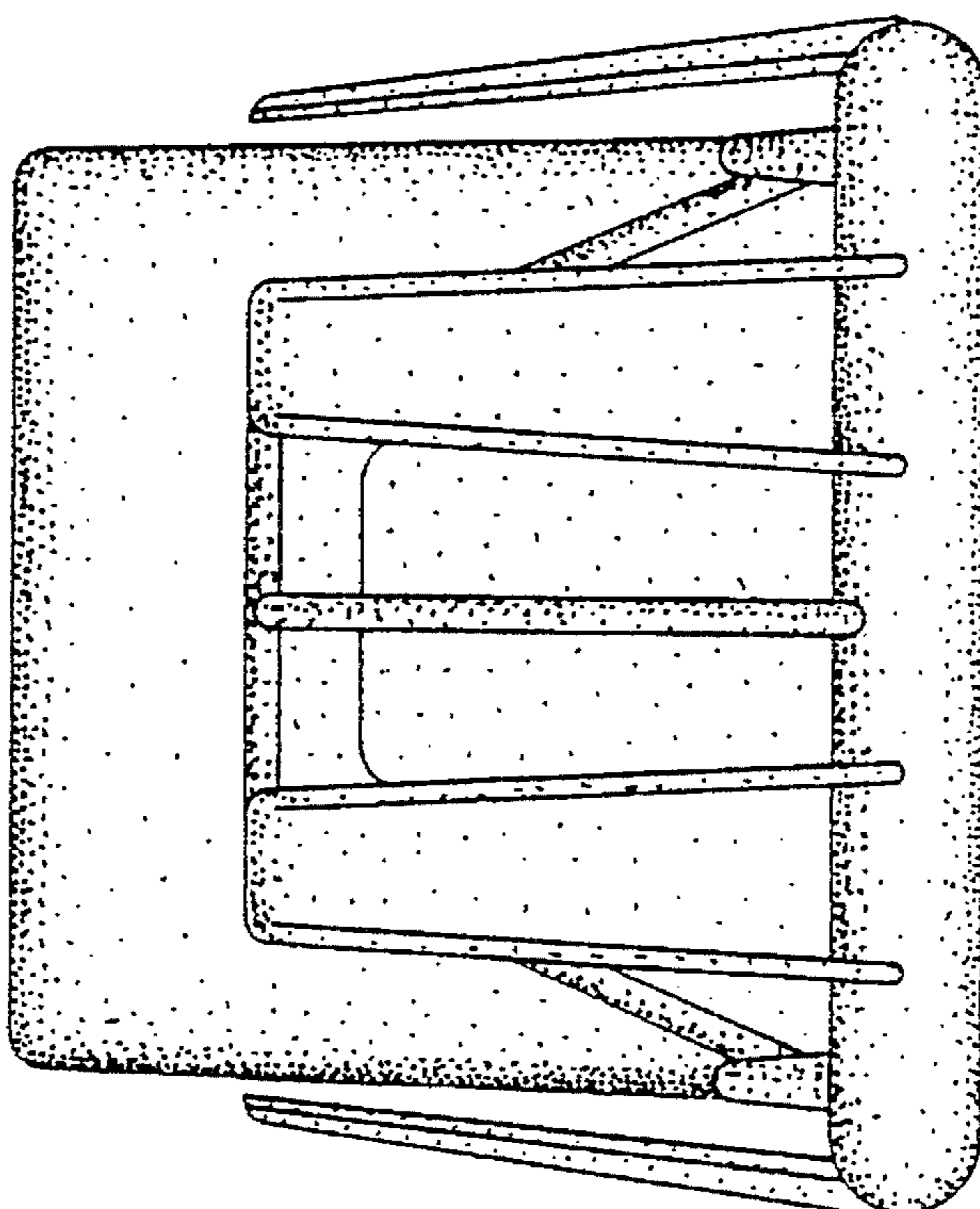
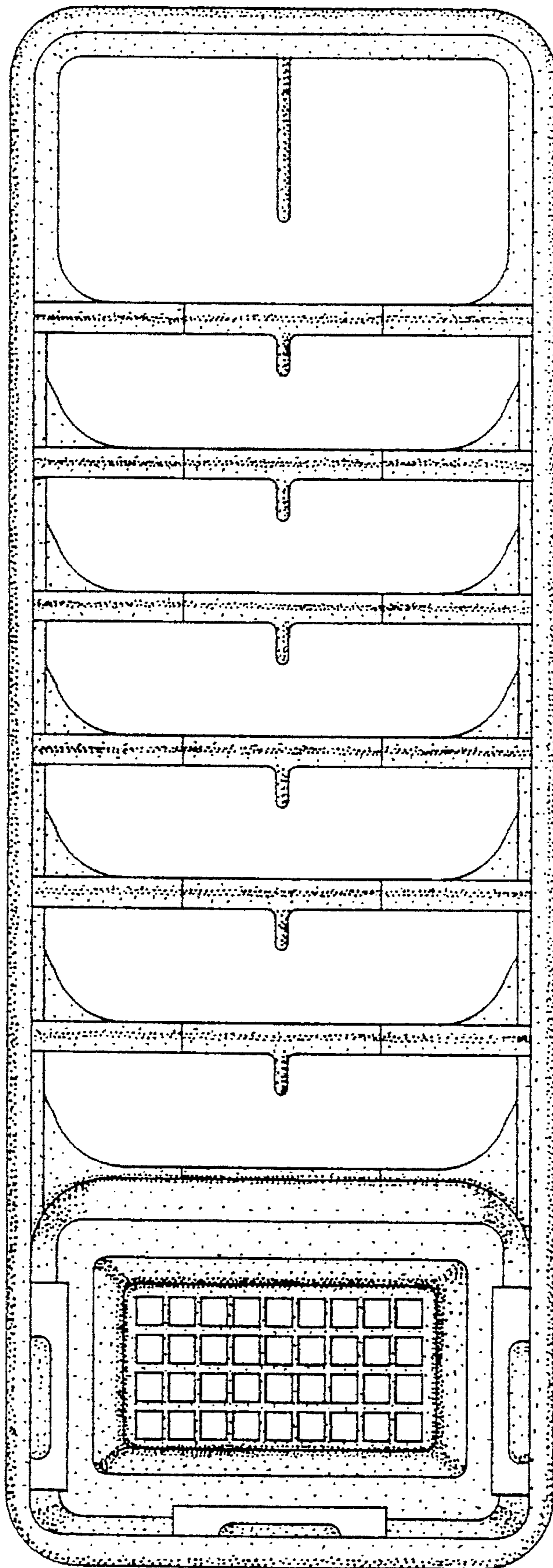


FIG. 12



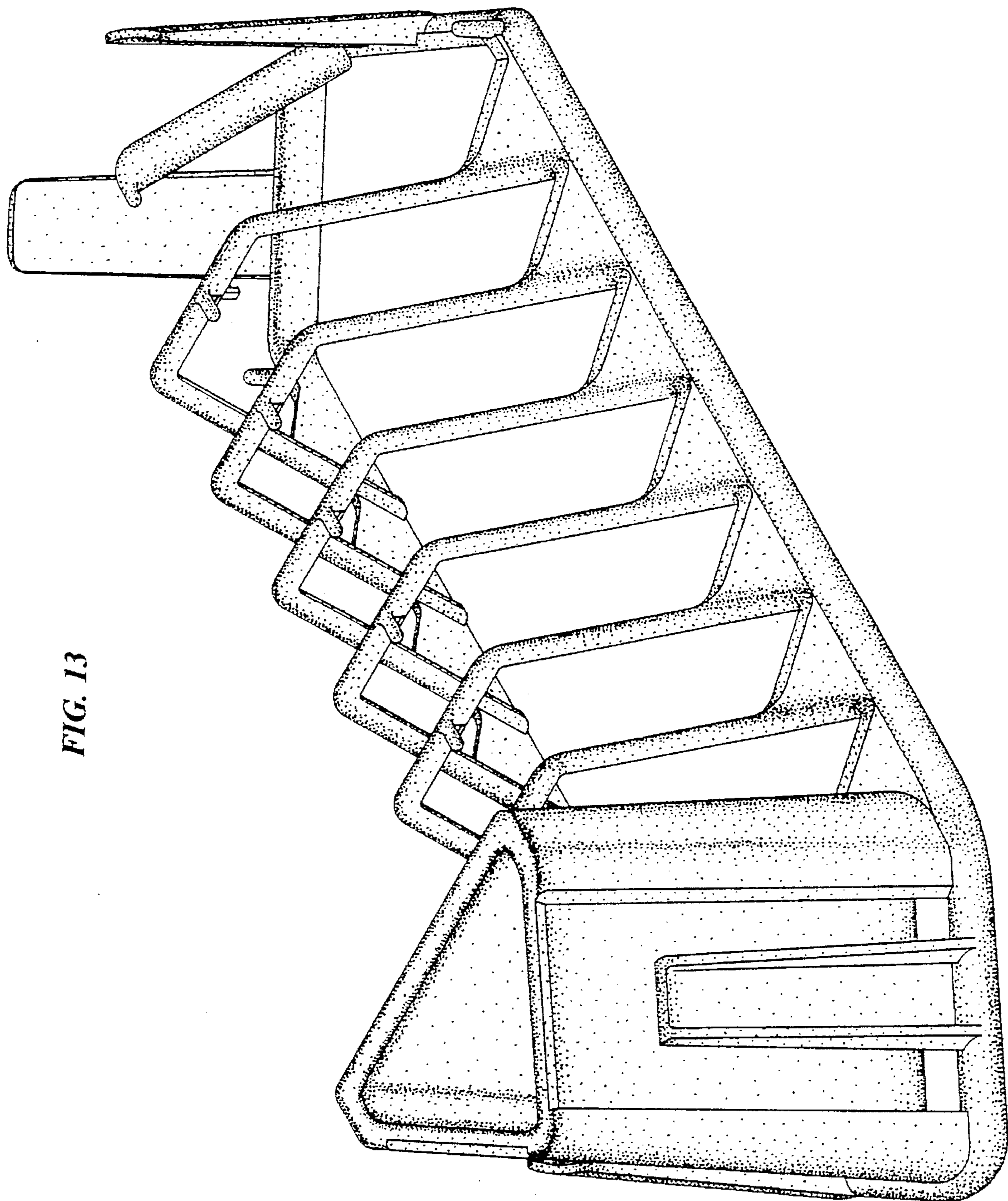


FIG. 13

FIG. 14

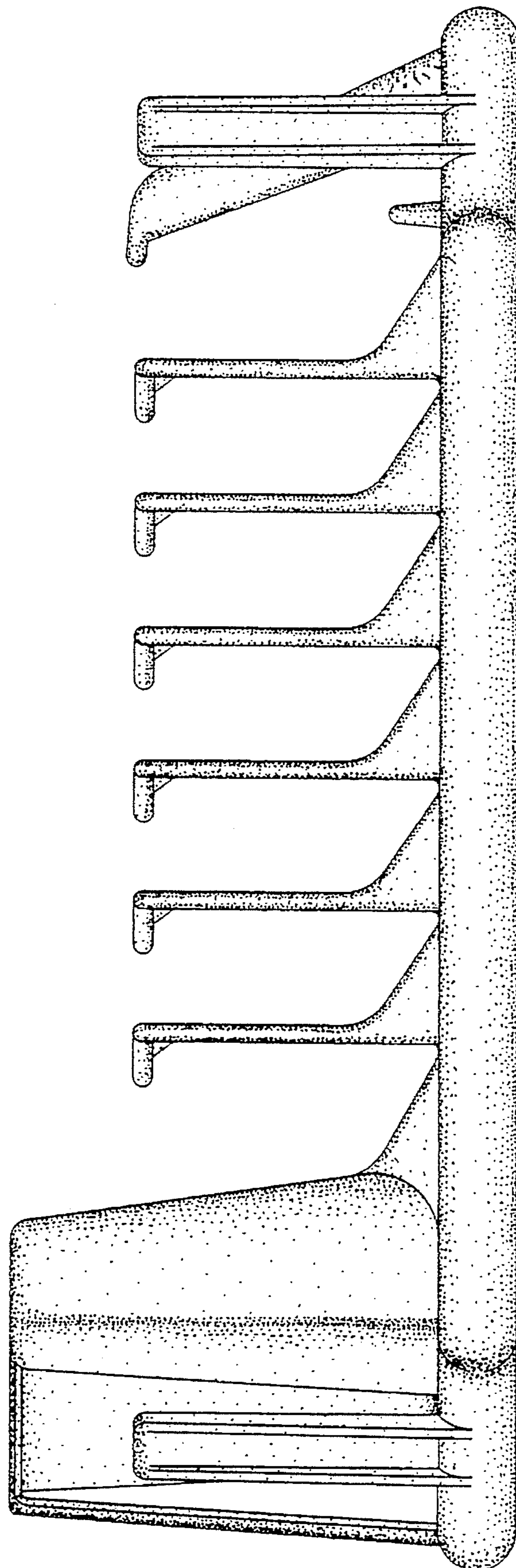


FIG. 15

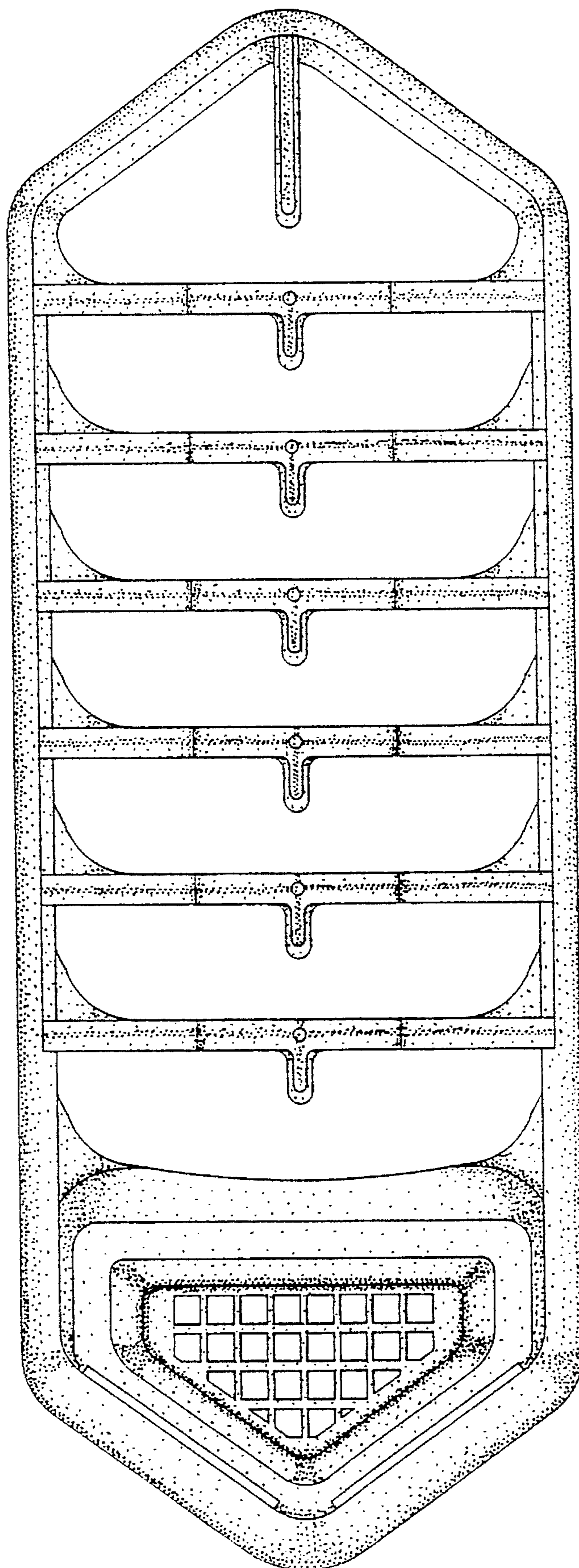


FIG. 17

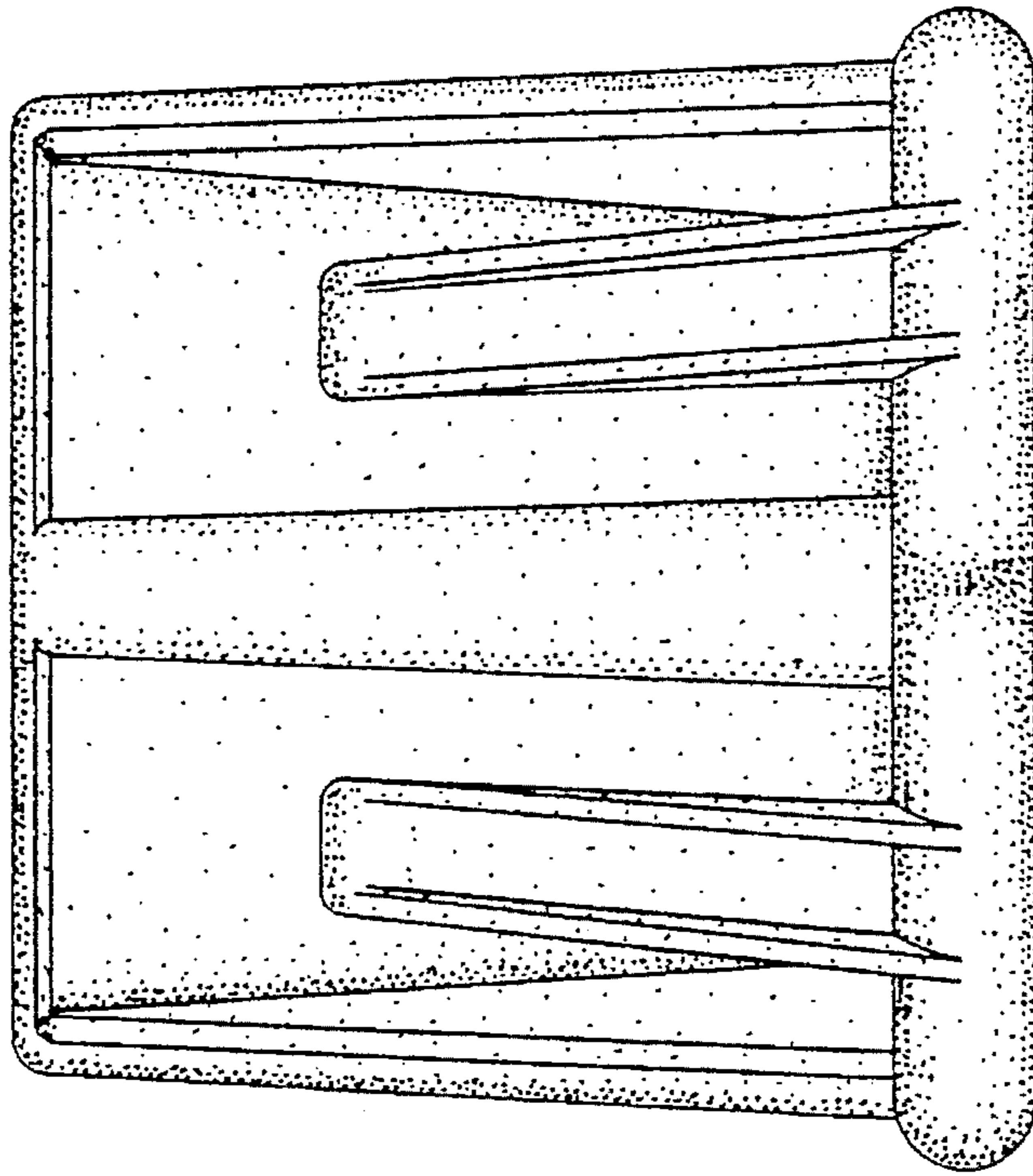


FIG. 16

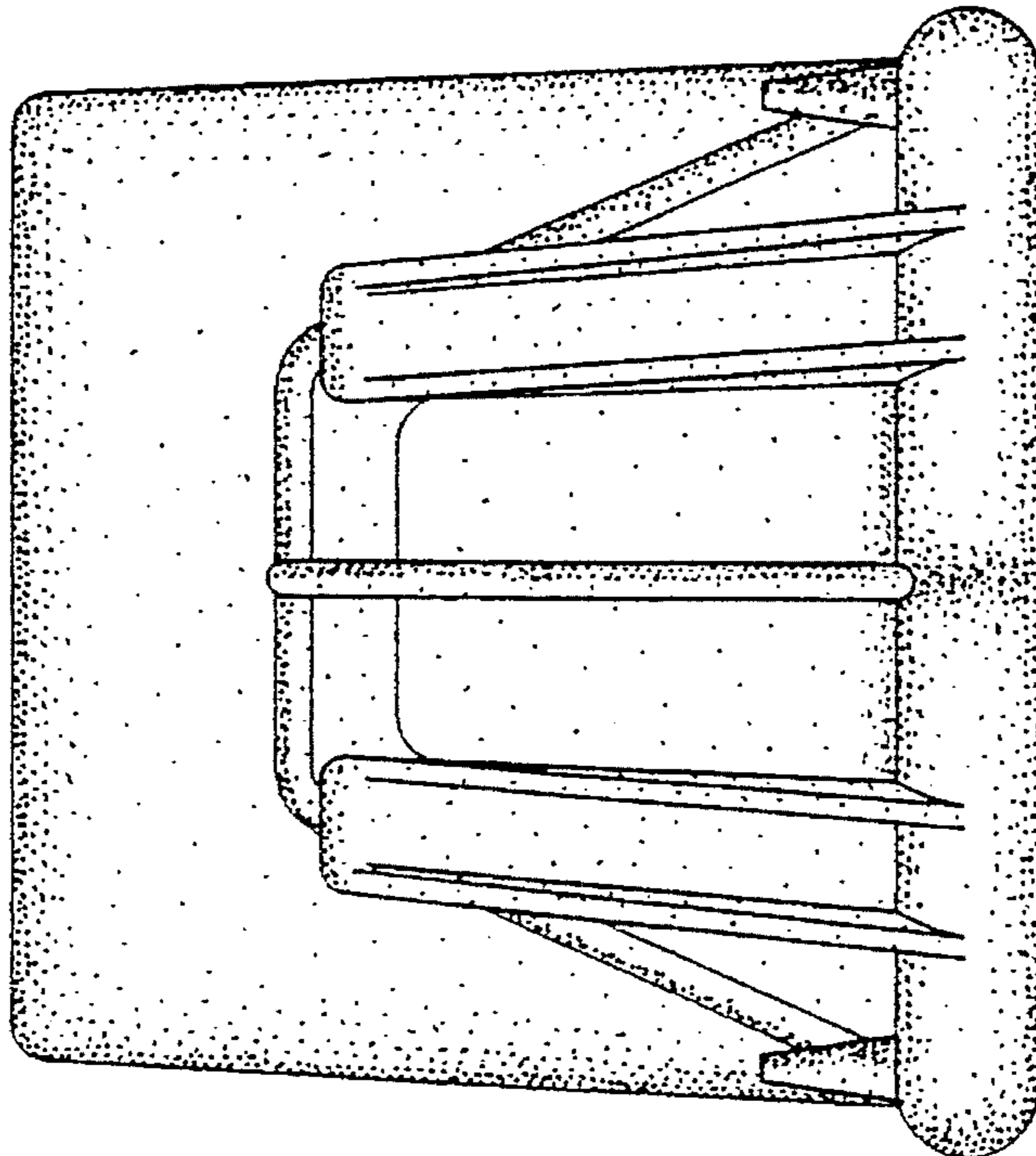


FIG. 18

