



US00D362941S

United States Patent [19]

[11] Patent Number: **Des. 362,941**

Delmerico et al.

[45] Date of Patent: ****Oct. 3, 1995**

[54] **MOP WRINGER**

4,663,798 5/1987 Sacks 15/261
4,704,763 11/1987 Sacks et al. 15/262

[75] Inventors: **Paul E. Delmerico**, Winchester; **Terry L. Wilmoth**, Stephens City, both of Va.

FOREIGN PATENT DOCUMENTS

2276077 9/1994 United Kingdom 15/260

[73] Assignee: **Rubbermaid Commercial Products Inc.**, Winchester, Va.

OTHER PUBLICATIONS

[**] Term: **14 Years**

Pp. 30 and 31, *Wringers*; Rubbermaid Commercial Products Inc., 3124 Valley Avenue, Winchester, Virginia 22601. Publication date May, 1989.

[21] Appl. No.: **29,887**

[22] Filed: **Oct. 18, 1994**

Primary Examiner—A. Hugo Word

Assistant Examiner—Robin V. Taylor

[52] U.S. Cl. **D32/53**

Attorney, Agent, or Firm—Richard B. O'Planick; Lisa B. Riedesel

[58] Field of Search D32/53, 53.1,
D32/54; 15/119.1, 260, 262, 264, 257.01,
257.05, 257.06; 220/697-702

[57] CLAIM

[56] **References Cited**

The ornamental design for a mop wringer, as shown and described.

U.S. PATENT DOCUMENTS

DESCRIPTION

D. 250,507	12/1978	Raftery et al.	D7/187
D. 255,976	7/1980	Maza et al.	D7/187
D. 296,254	6/1988	Jaros et al.	D32/54
D. 338,299	8/1993	Delmerico	D32/54
D. 344,379	2/1994	Clark	D32/53
D. 345,236	3/1994	Chen	D32/53
1,082,864	12/1913	Gilchrist .	
1,157,152	10/1915	Davis .	
1,268,921	6/1918	Brace .	
1,434,534	11/1922	Eiffe .	
1,452,798	4/1923	Eaton .	
1,493,926	5/1924	Eiffe	D32/54
2,127,045	8/1938	Pavek	15/261
4,047,261	9/1977	Rones	15/261

FIG. 1 is a top right front perspective view of a mop wringer, in reduced scale, showing our new design. The broken lines are for illustrative purposes only and form no part of the claimed design;

FIG. 2 is a front elevational view thereof;

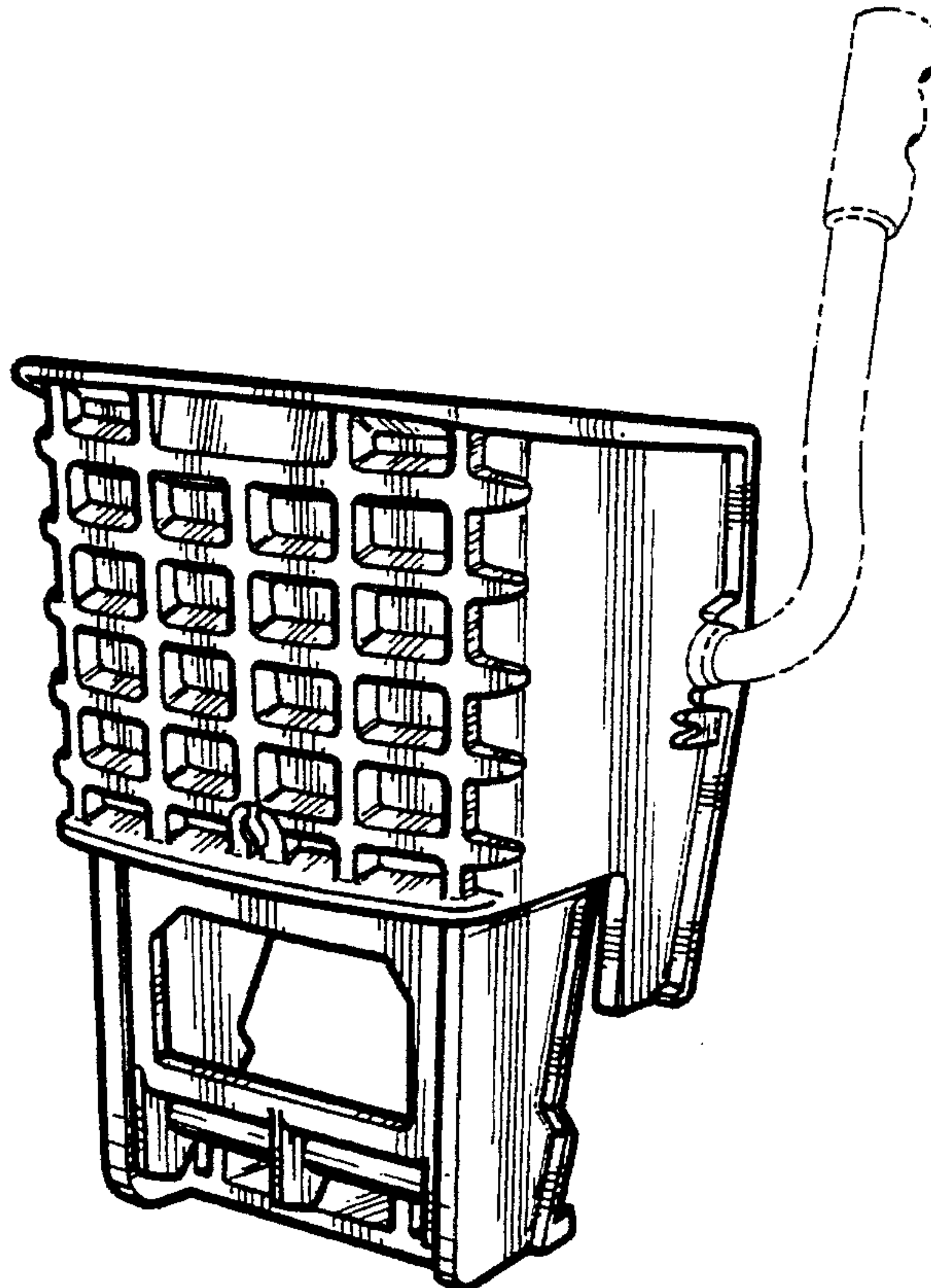
FIG. 3 is a right side elevational view thereof; the left side elevational view being a mirror image;

FIG. 4 is a top plan view thereof;

FIG. 5 is a rear elevational view thereof; and,

FIG. 6 is a bottom plan view thereof.

1 Claim, 3 Drawing Sheets



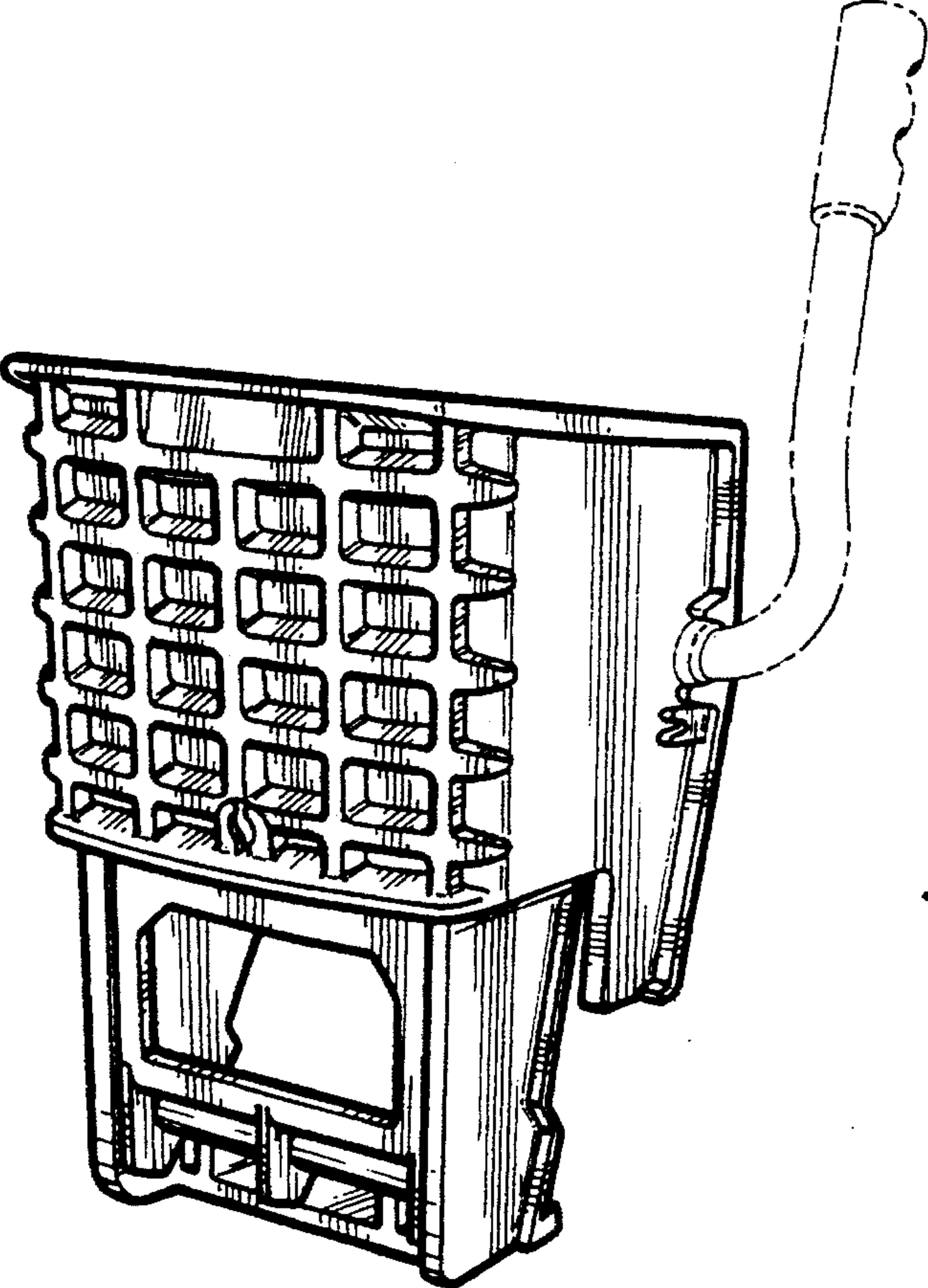


Fig-1

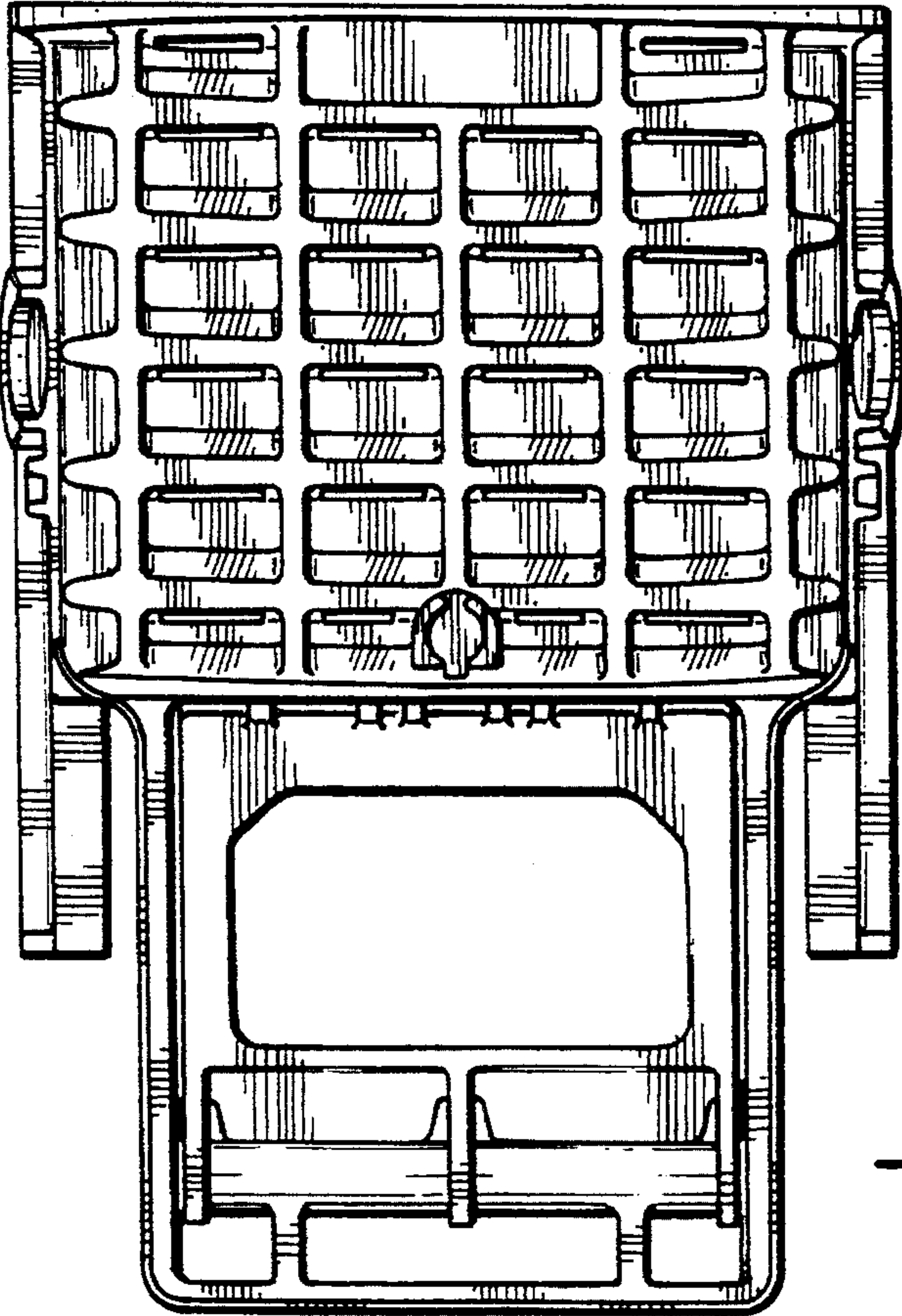


Fig-2

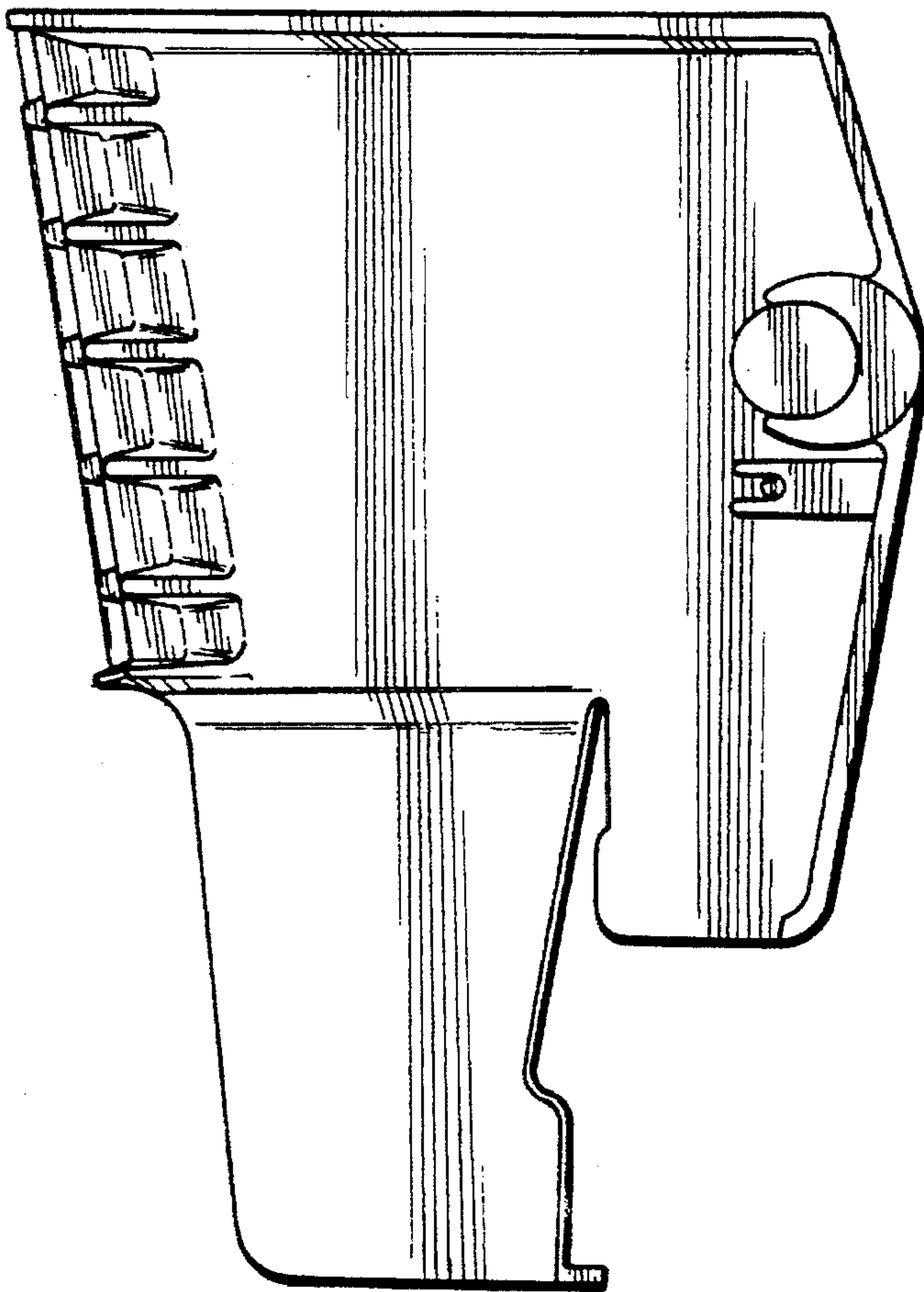


Fig-3

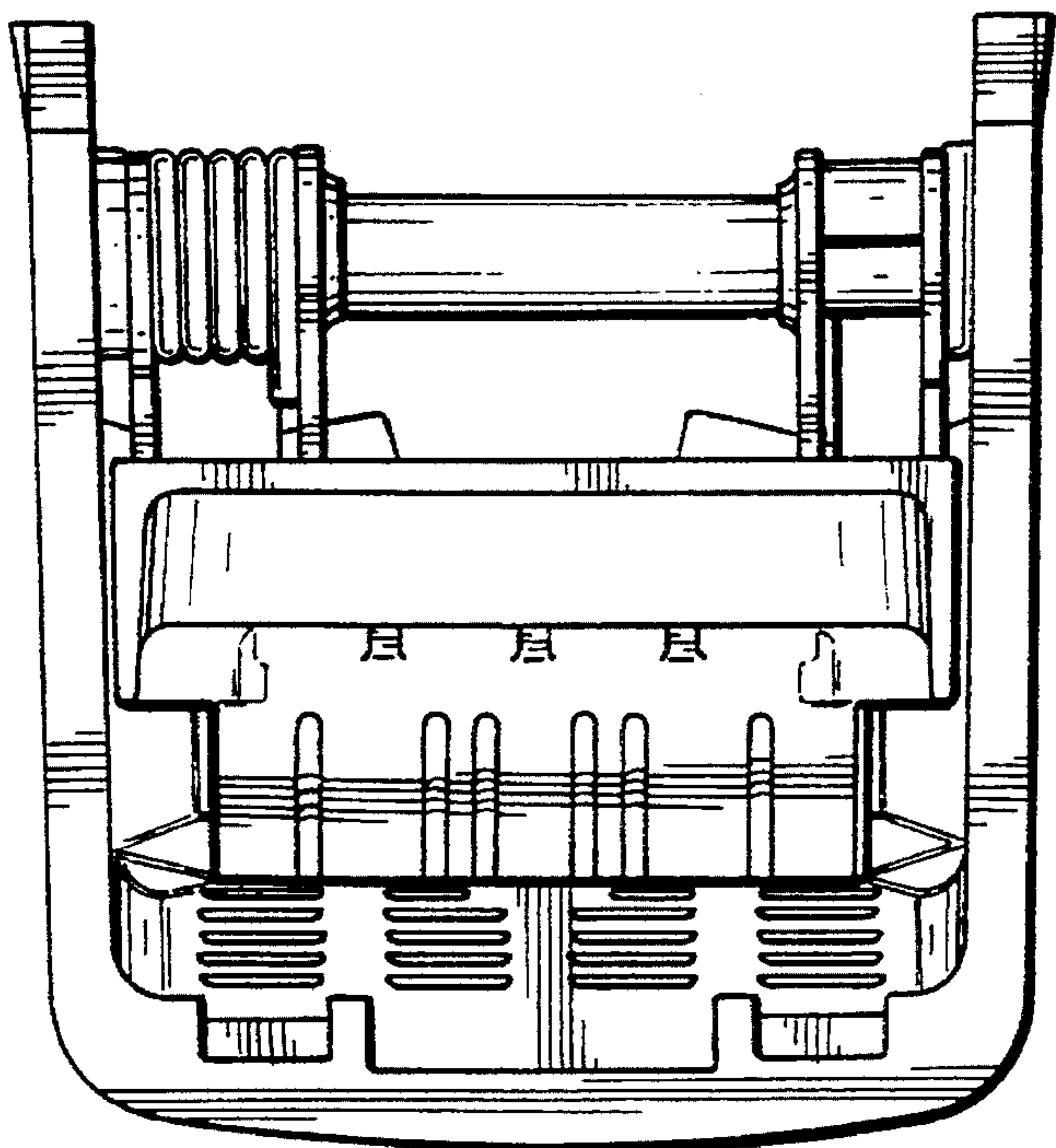


Fig-4

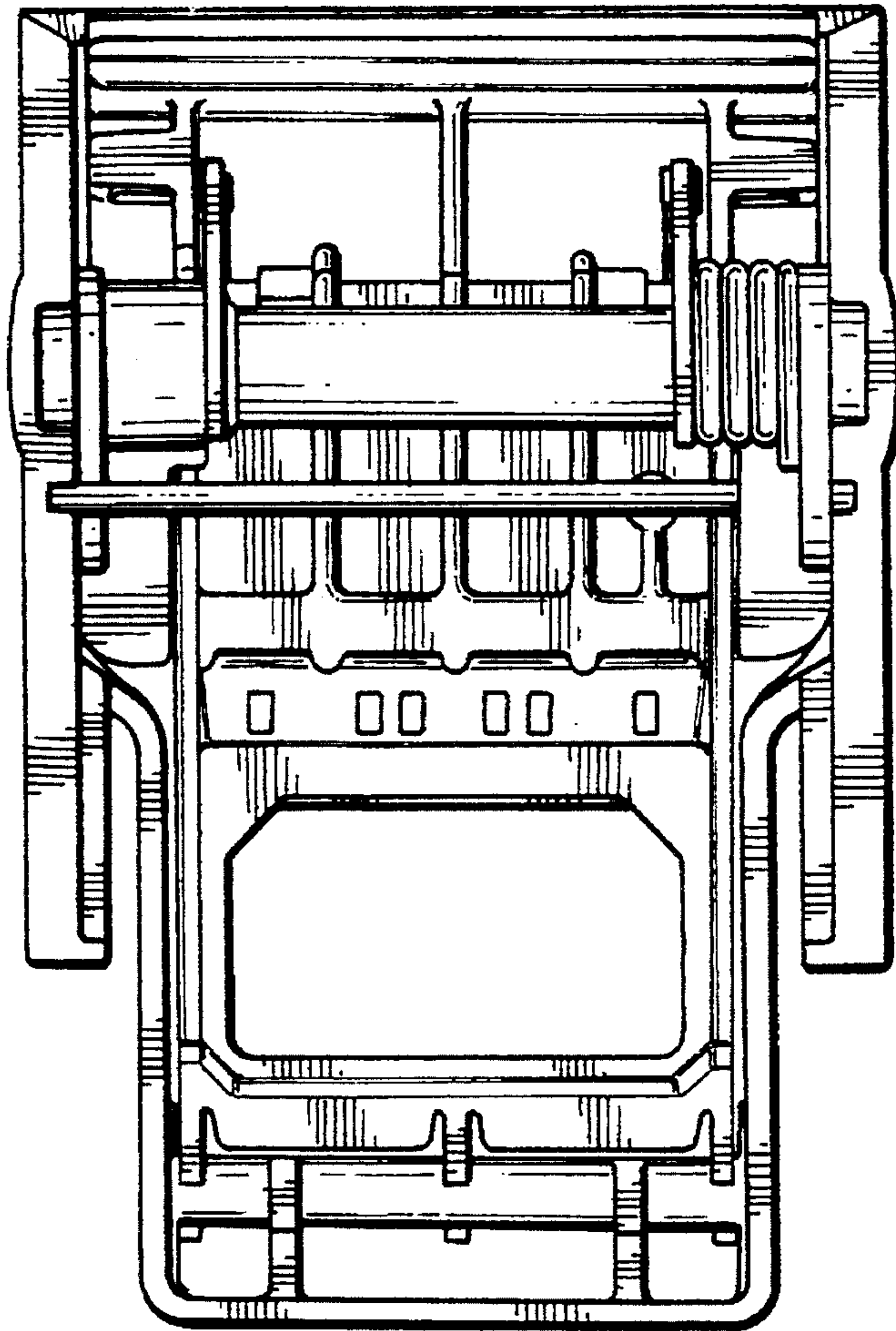


Fig-5

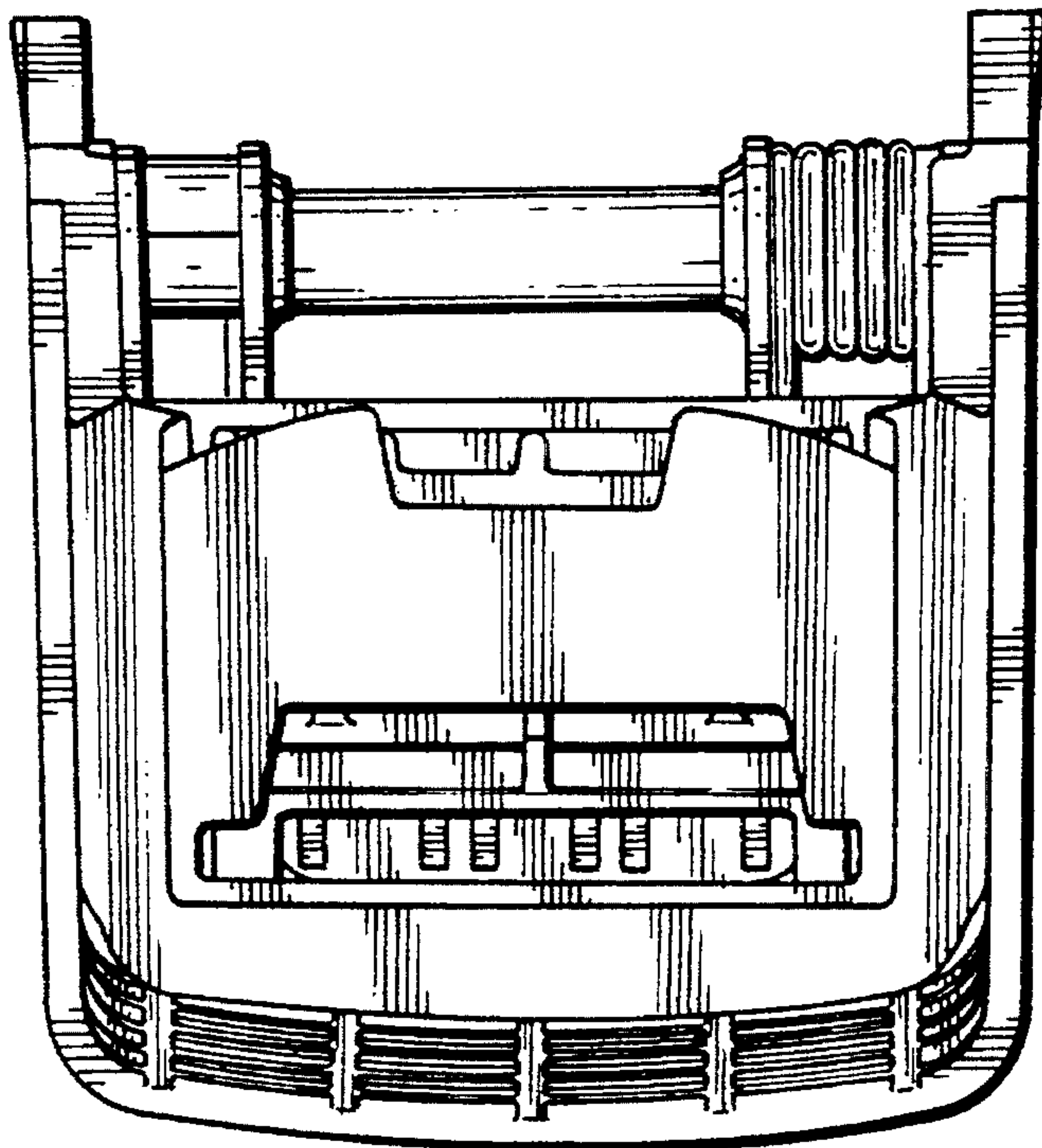


Fig-6