



US00D362935S

United States Patent [19]

[11] Patent Number: **Des. 362,935**

Lee

[45] Date of Patent: ****Oct. 3, 1995**

[54] **RV WASTE TANK CLEANING TOOL**

[76] Inventor: **Robert D. Lee**, 301 Michael Dr., Santa Rosa, Calif. 95401

[**] Term: **14 Years**

[21] Appl. No.: **33,553**

[22] Filed: **Jan. 17, 1995**

D. 351,015	9/1994	Caceres et al.	D23/213
D. 357,097	4/1995	Lee	D32/45
2,108,819	2/1938	Jacobsson	239/530 X
2,337,087	12/1943	Deck	239/566 X
3,915,382	10/1975	Davis	239/532 X
3,940,072	2/1976	Ishikawa et al.	239/525

Primary Examiner—Susan J. Lucas
Assistant Examiner—Cynthia E. Ramirez
Attorney, Agent, or Firm—Larry D. Johnson

Related U.S. Application Data

[63] Continuation-in-part of Ser. No. 894,958, Jun. 8, 1992, Pat. No. Des. 357,097.

[52] U.S. Cl. **D32/35**; D23/213; D23/223; D32/17

[58] Field of Search D23/213, 223, D23/224; D32/35, 45, 17, 15; 239/280, 280.5, 281, 525, 530, 532, 566; 401/137, 138, 139

References Cited

U.S. PATENT DOCUMENTS

D. 244,532	5/1977	Poston	D32/15
D. 288,838	3/1987	Hengesbach	D23/213
D. 327,943	7/1992	Isai	D23/223 X

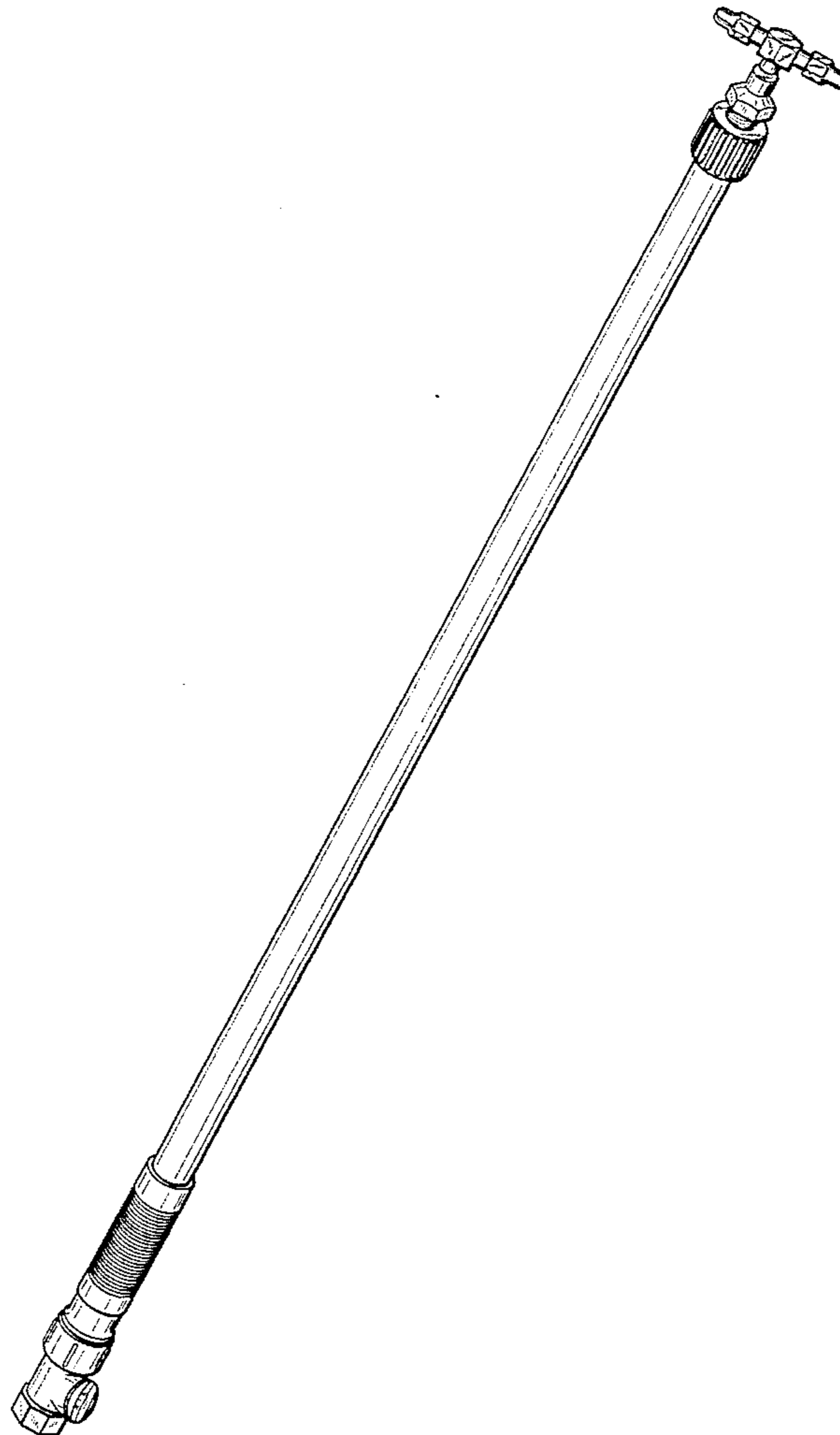
[57] CLAIM

The ornamental design for a RV waste tank cleaning tool, as shown and described.

DESCRIPTION

FIG. 1 is a perspective view showing the RV waste tank cleaning tool showing my new design;
FIG. 2 is an enlarged, fragmented front elevational view thereof, with the handle shown broken away for ease of illustration only;
FIG. 3 is a left side elevational view thereof, the opposite side being a mirror image;
FIG. 4 is a rear elevational view thereof;
FIG. 5 is a top plan view thereof; and,
FIG. 6 is a bottom plan view thereof.

1 Claim, 3 Drawing Sheets



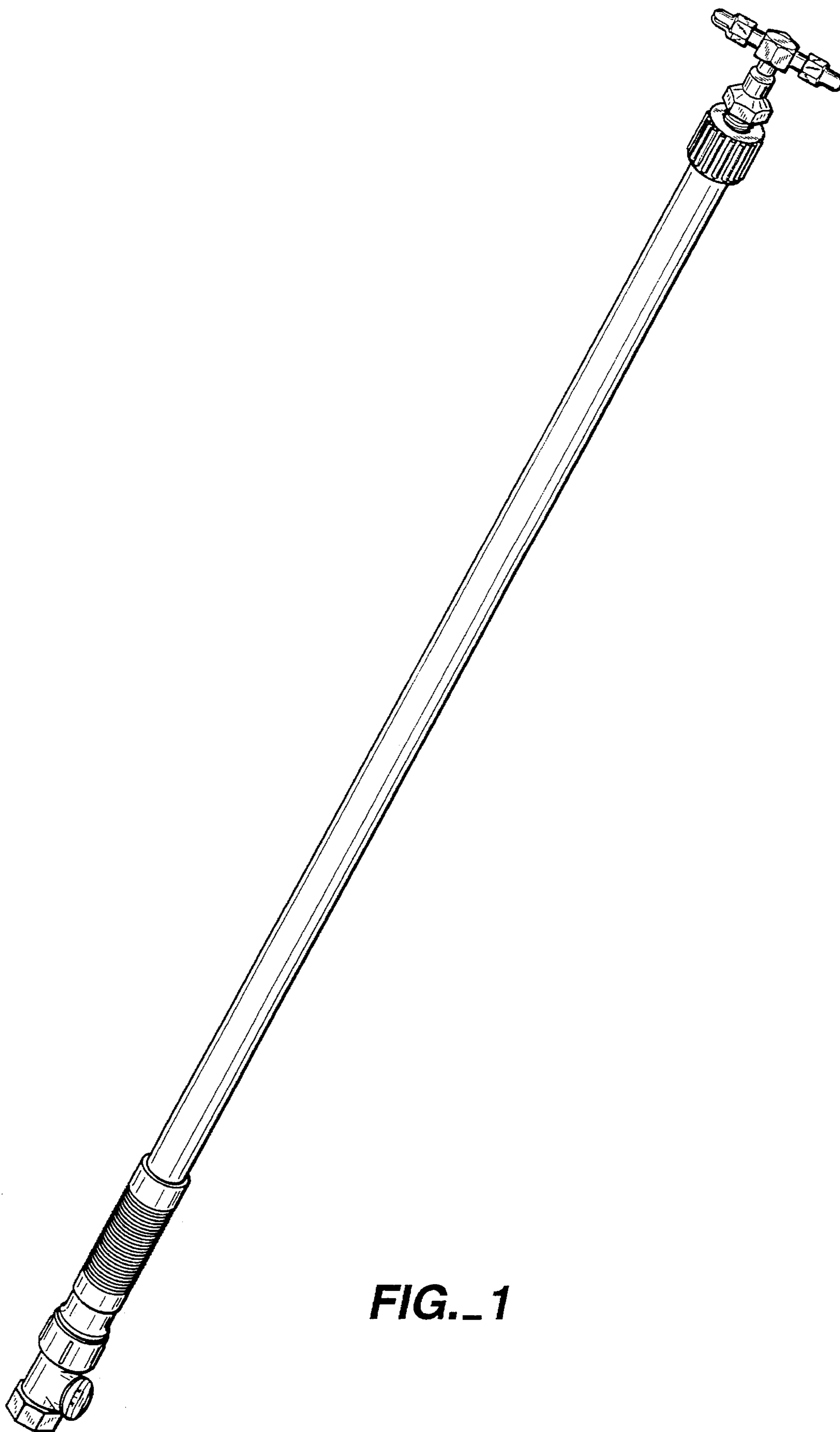


FIG. 1

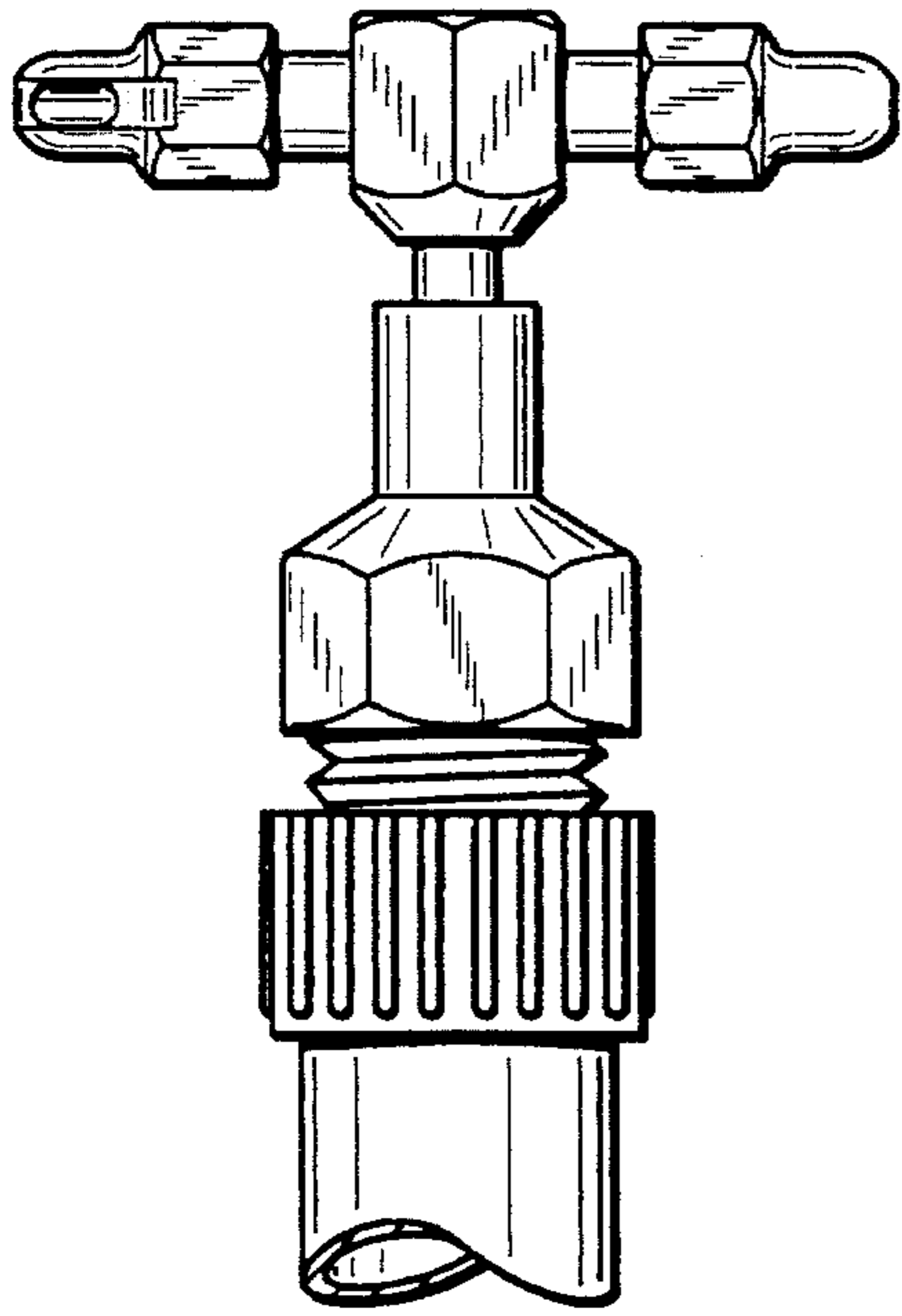


FIG. 2

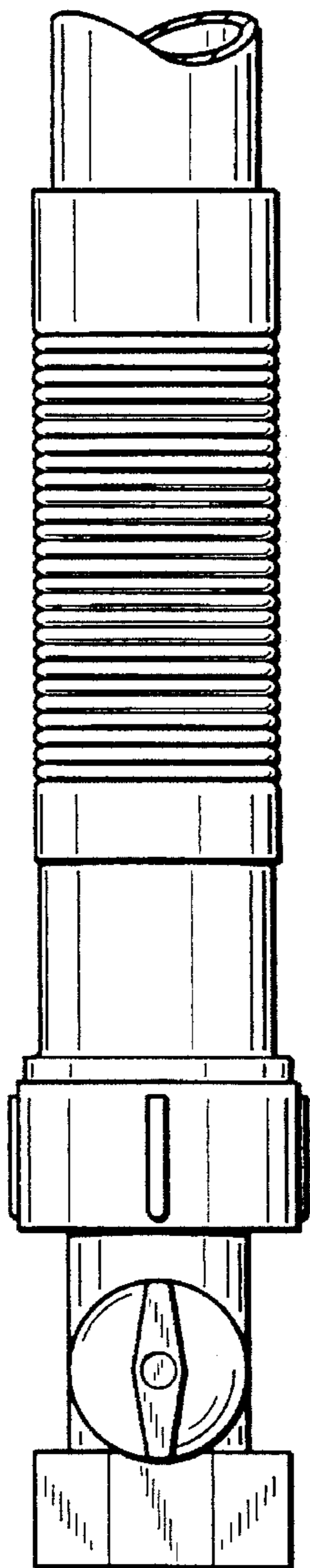
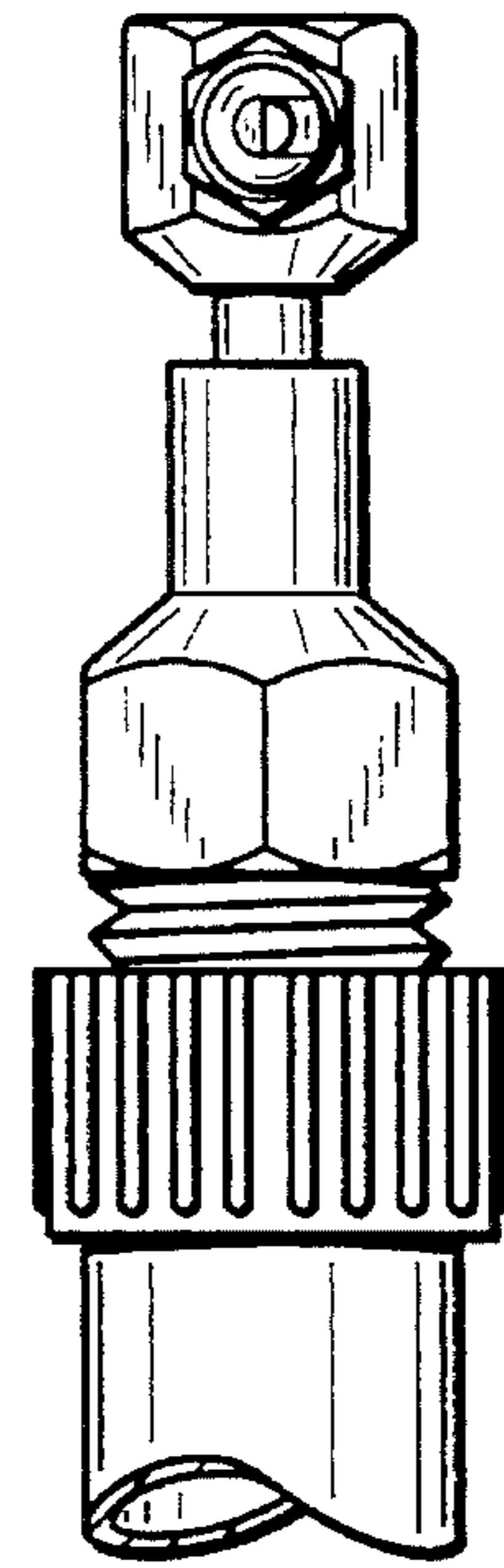
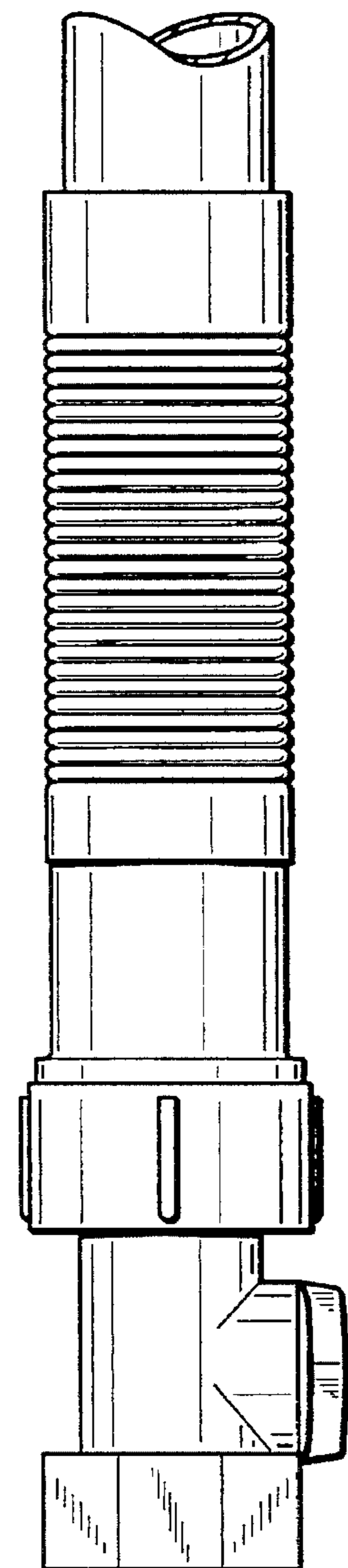


FIG. 3



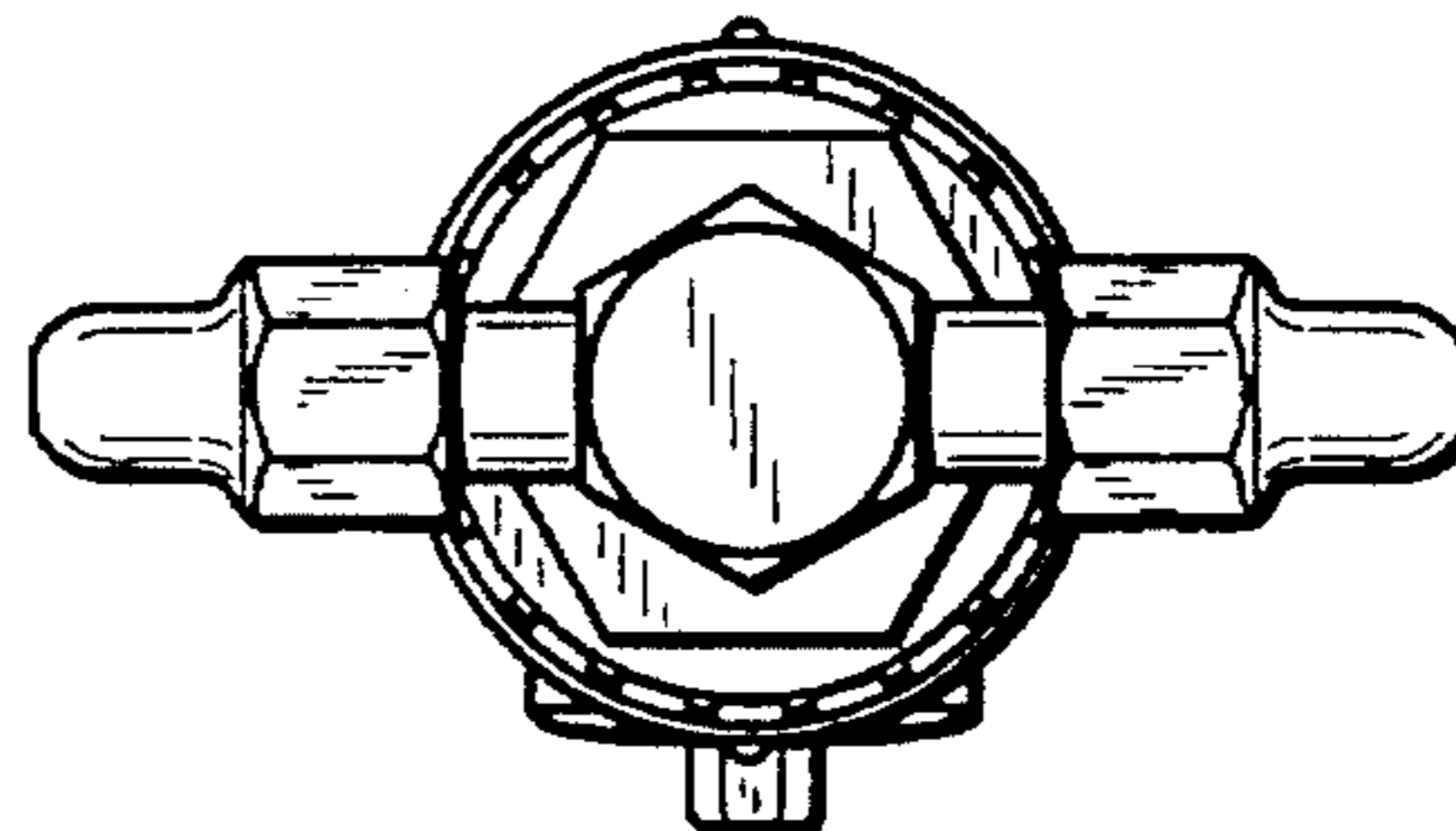
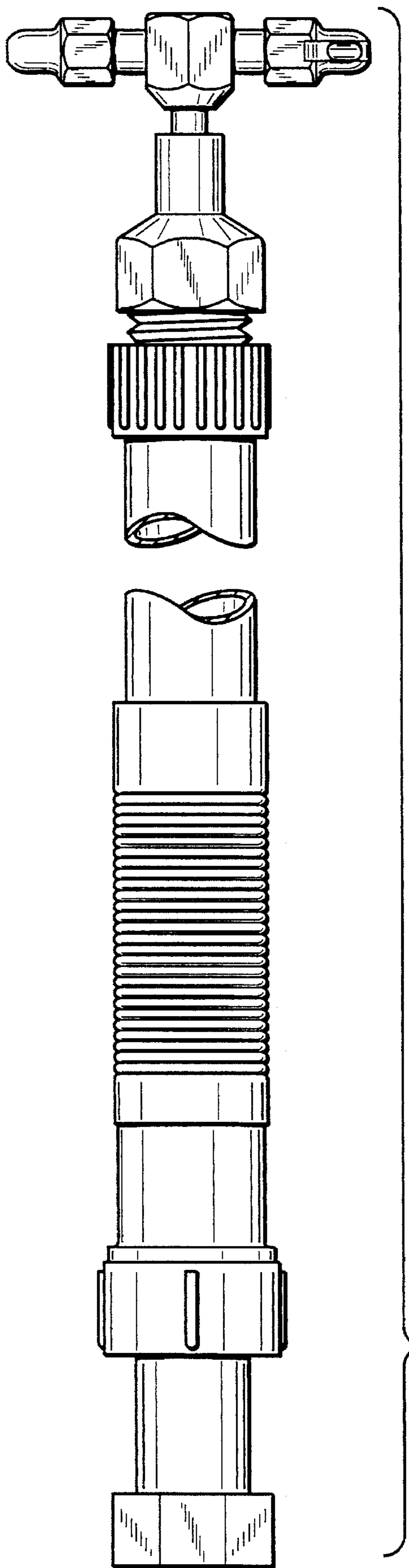


FIG. 5

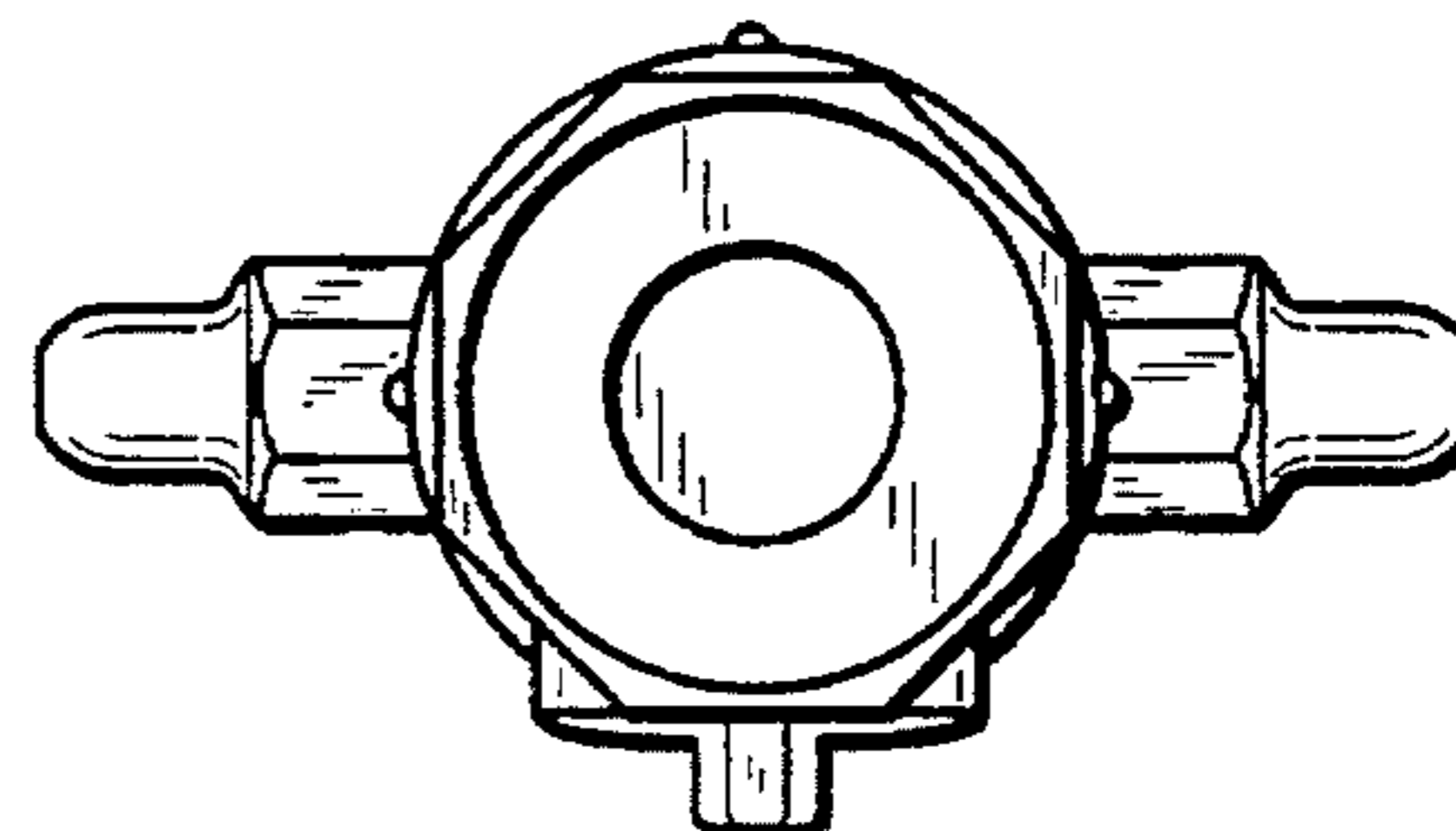


FIG. 6

FIG. 4