



US00D362934S

United States Patent [19]

[11] Patent Number: **Des. 362,934**

Hansen

[45] Date of Patent: ****Oct. 3, 1995**

[54] SQUEEGEE

3,178,747 4/1965 Peterson 15/236.01

[76] Inventor: **Alan M. Hansen**, 18304 SW. Westview Dr., Lake Oswego, Oreg. 97034

Primary Examiner—Susan J. Lucas
Assistant Examiner—Cynthia E. Ramirez
Attorney, Agent, or Firm—Edward B. Watters

[**] Term: **14 Years**

[57] **CLAIM**

[21] Appl. No.: **22,858**

The ornamental design for a squeegee, as shown and described.

[22] Filed: **May 13, 1994**

[52] U.S. Cl. **D32/41**

DESCRIPTION

[58] **Field of Search** D32/40, 41, 42, D32/43, 46, 47, 49, 52, 48; D7/688, 693, 695; 15/121, 232, 236.01, 236.02, 245, 245.1, 236.07, 236.08, 236.09, 236.05; D8/16, 17, 45; 30/169, 171, 172, 164.9

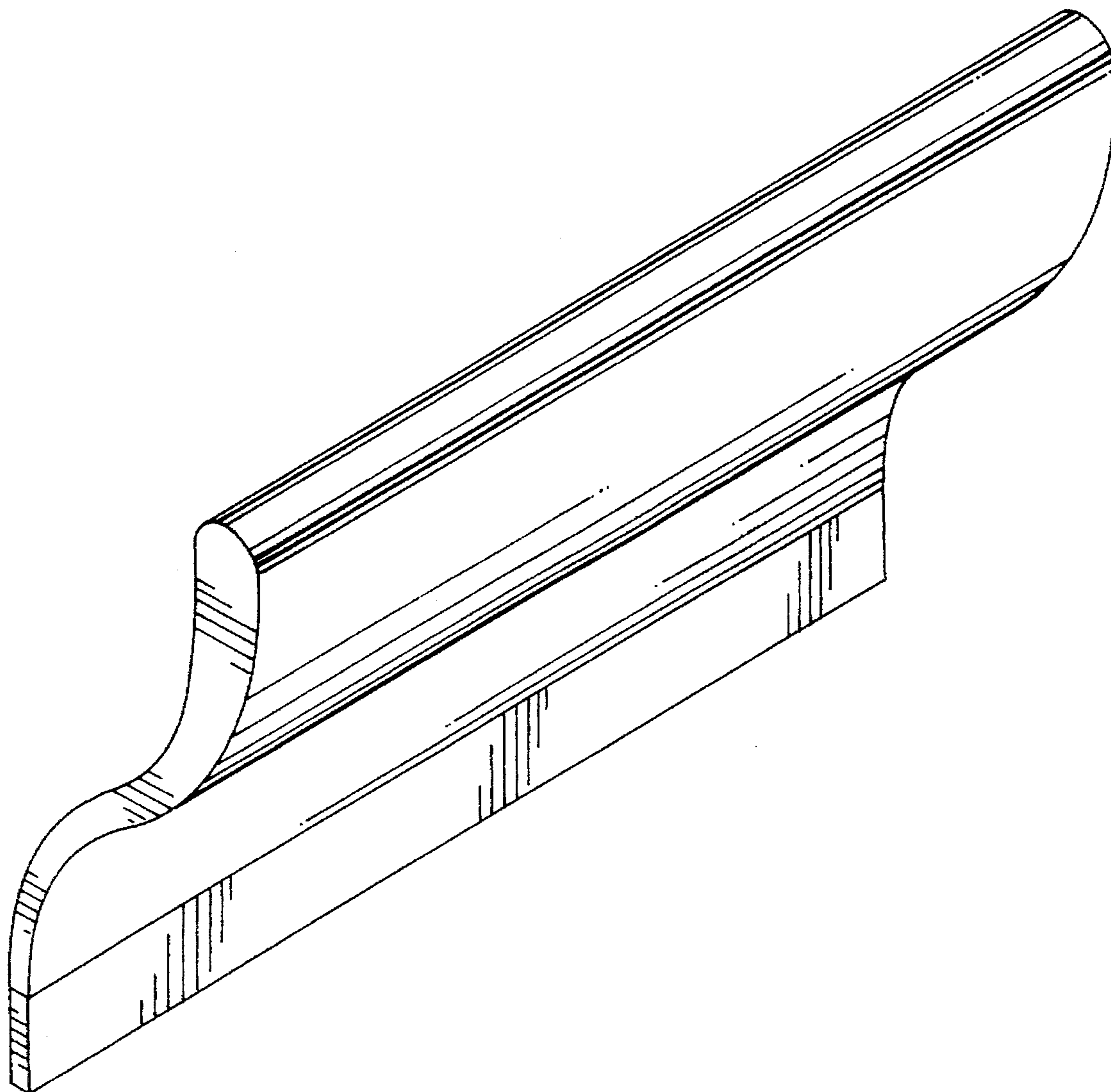
FIG. 1 is a left-side, front and top perspective view of a squeegee showing my new design;
FIG. 2 is a left side elevational view thereof, the right-side elevational view being a mirror image of that shown;
FIG. 3 is a top plan view thereof;
FIG. 4 is a front elevational view thereof;
FIG. 5 is a bottom view thereof; and,
FIG. 6 is a rear elevational view thereof.

[56] **References Cited**

U.S. PATENT DOCUMENTS

D. 280,247 8/1985 Jones D32/41
D. 332,331 1/1993 Hansen et al. D32/41

1 Claim, 2 Drawing Sheets



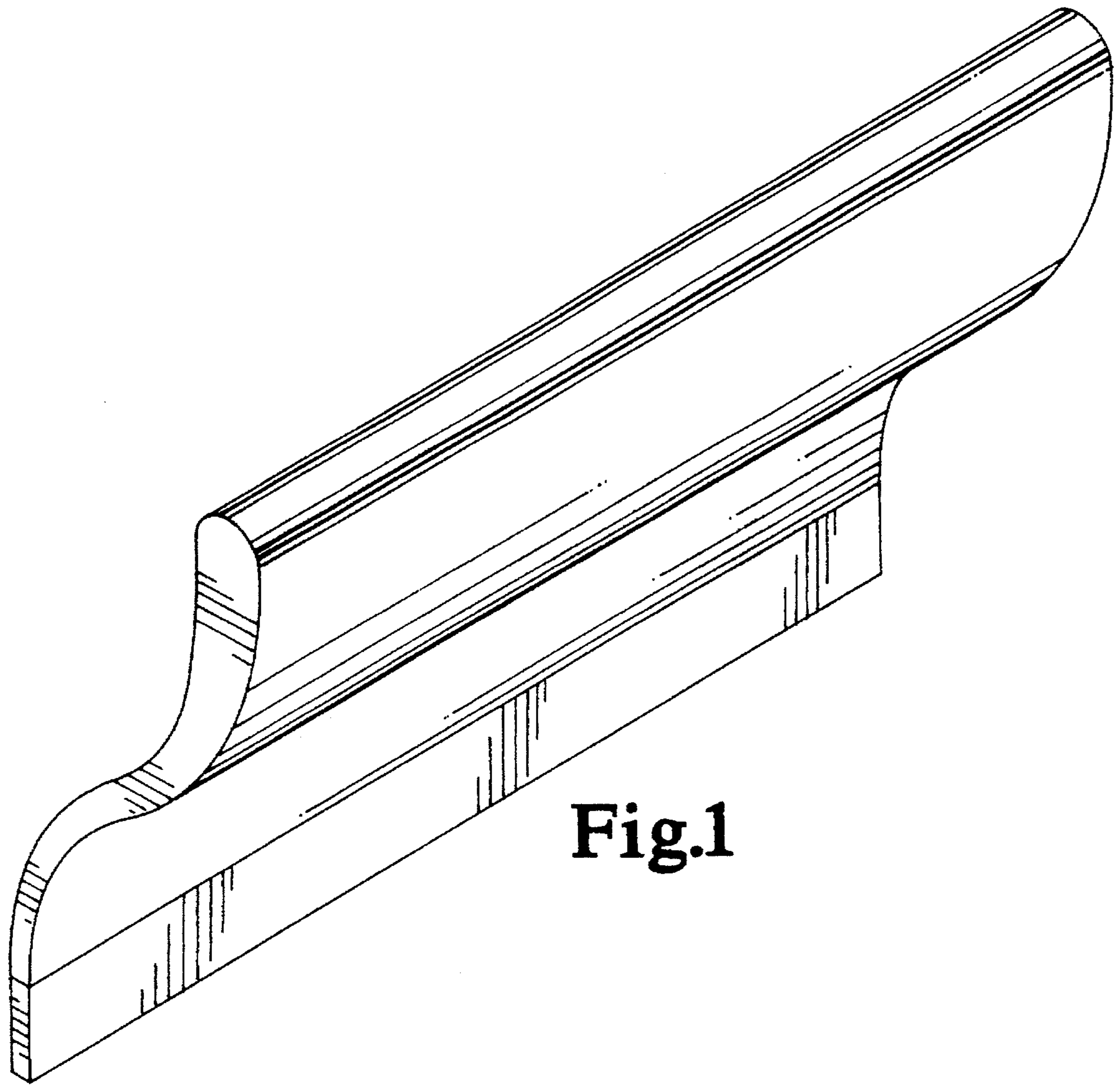


Fig.1

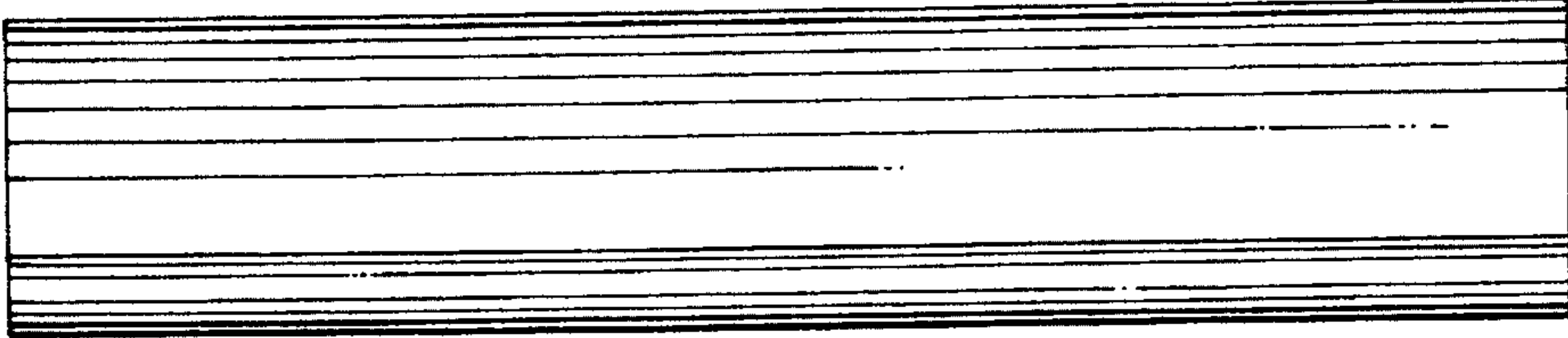


Fig.3

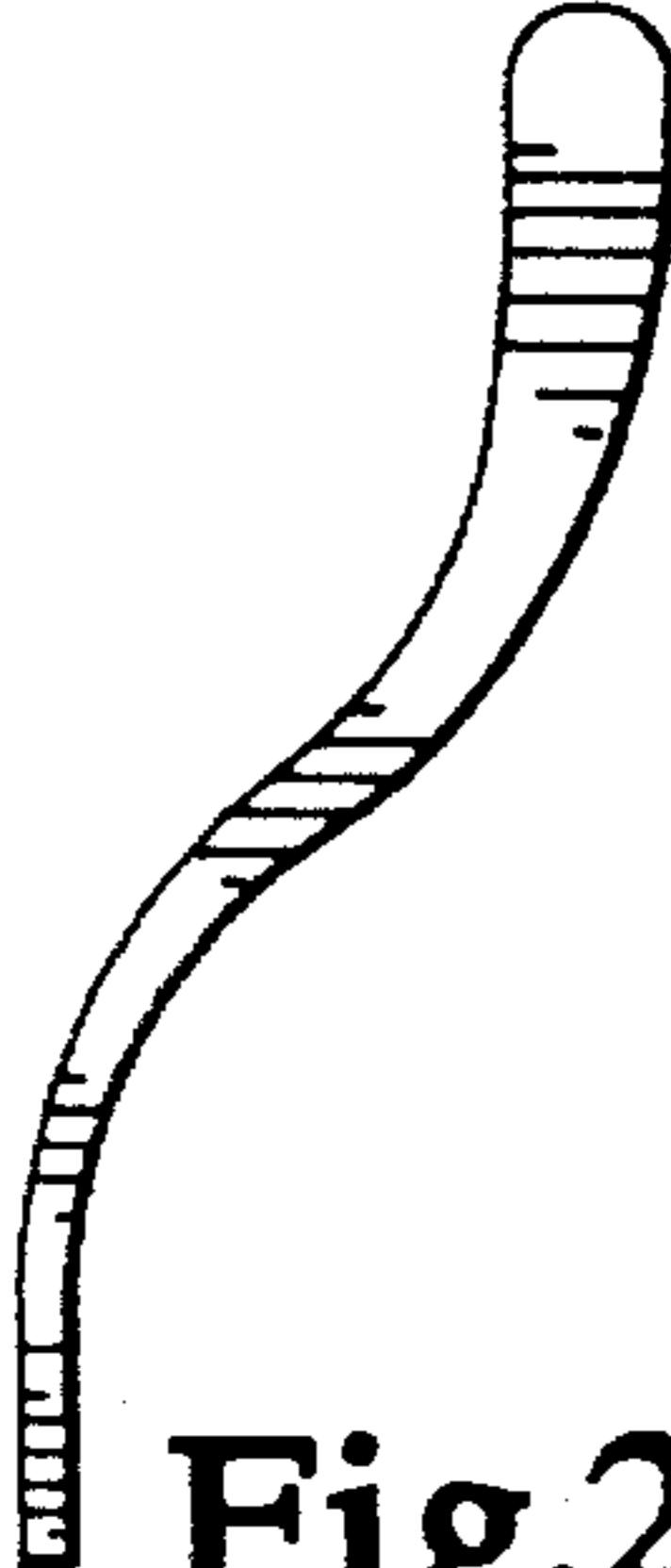


Fig.2

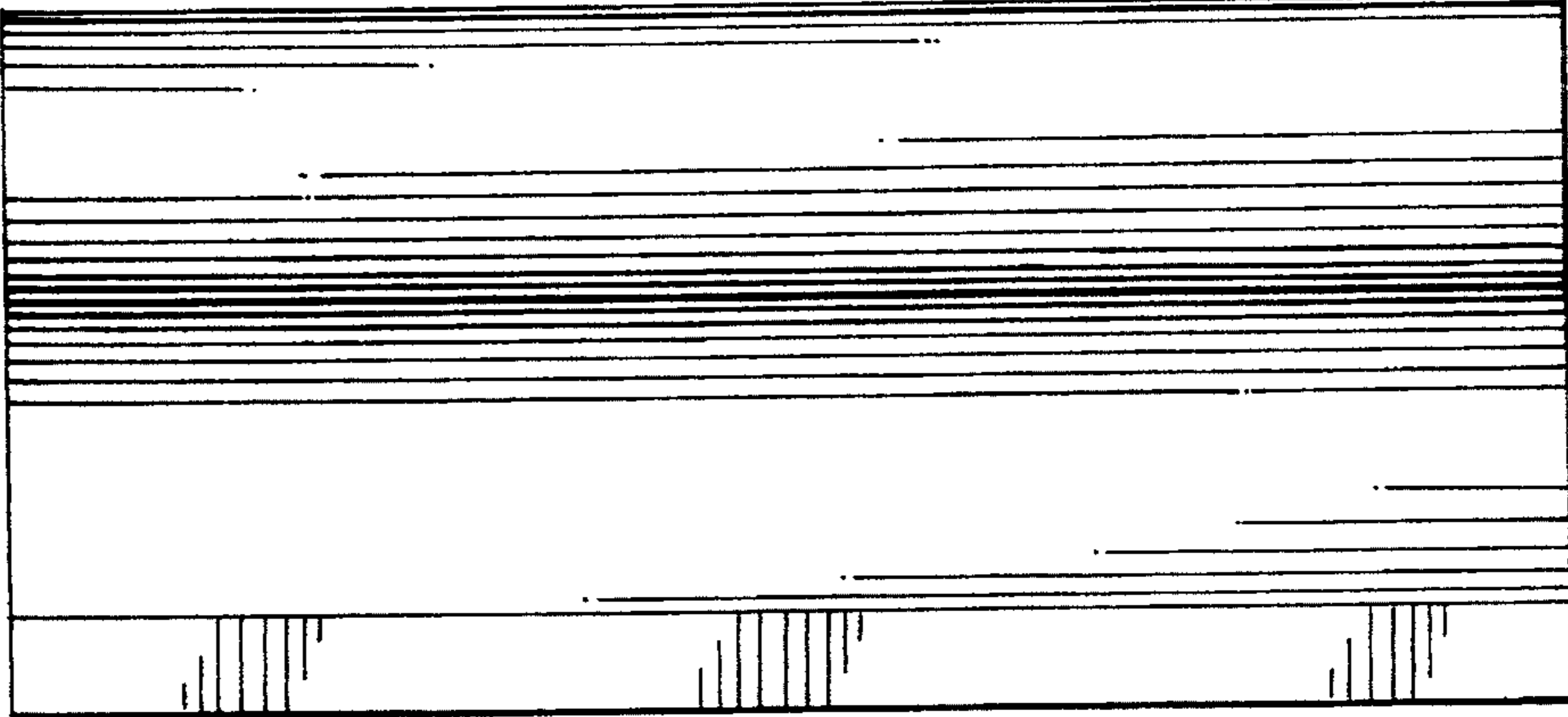


Fig.4

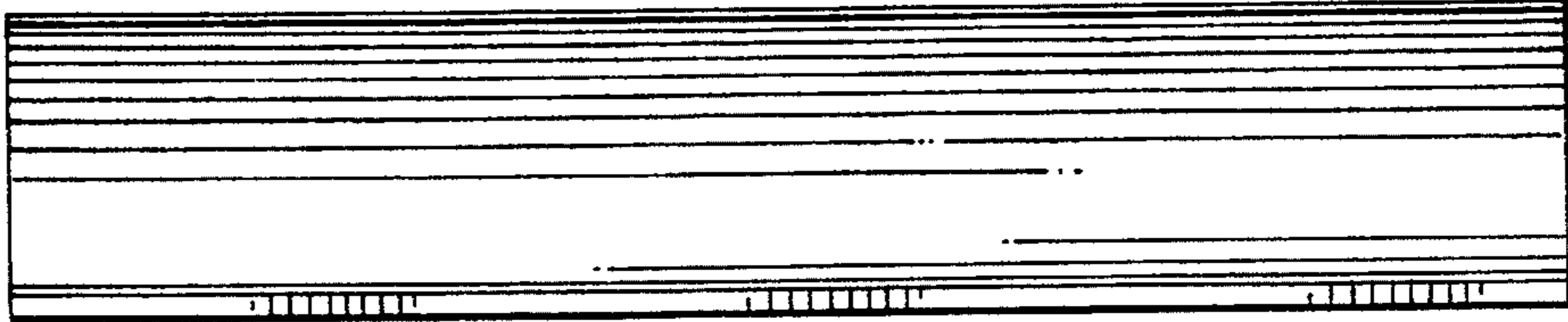


Fig.5

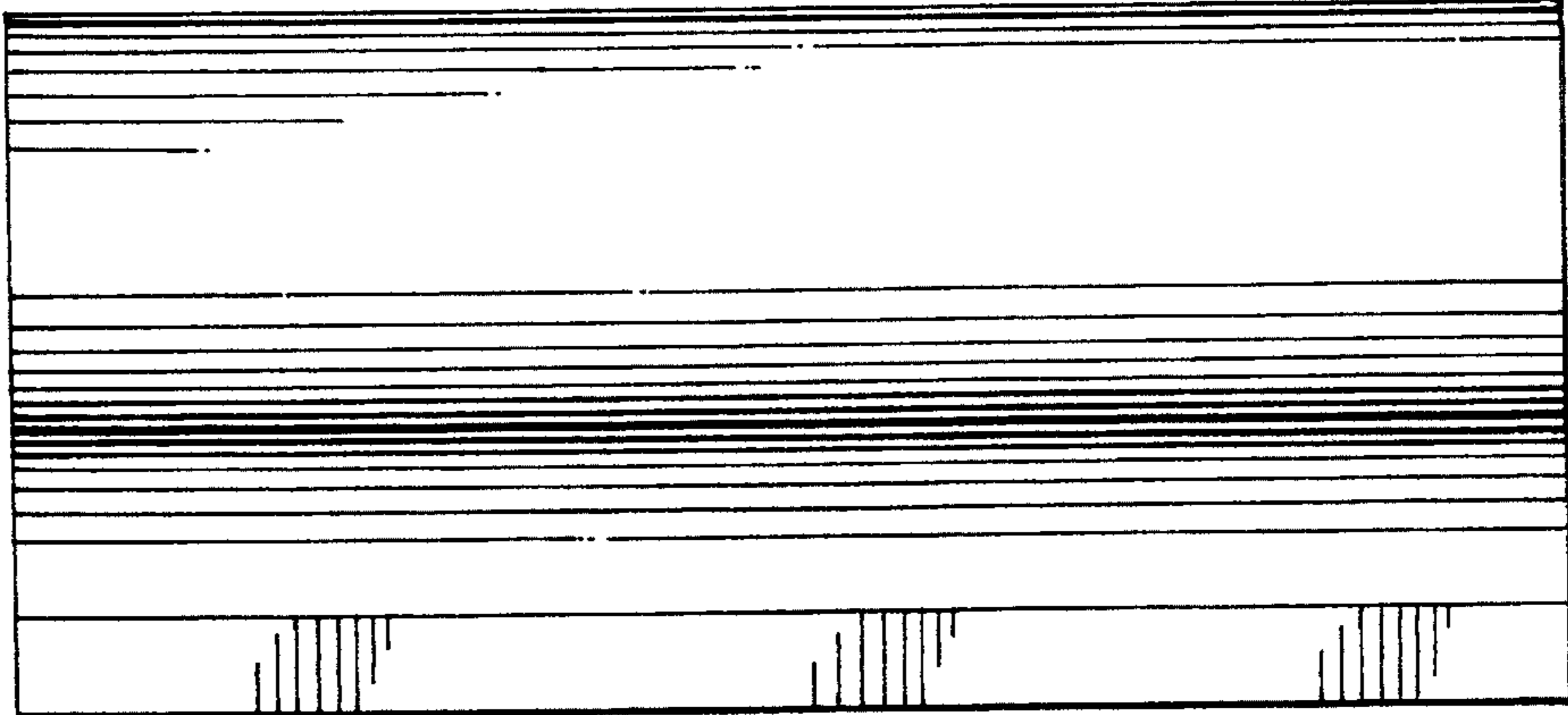


Fig.6