



US00D362924S

# United States Patent [19]

[11] **Patent Number:** **Des. 362,924**

Mers

[45] **Date of Patent:** **\*\*Oct. 3, 1995**

[54] **RECTANGULAR ORGANIZER FOR MANICURE POLISH AND IMPLEMENTS**

|            |         |                       |         |
|------------|---------|-----------------------|---------|
| D. 255,065 | 5/1980  | Salacuse .....        | D28/73  |
| D. 295,796 | 5/1988  | Wadsworth et al. .... | D28/77  |
| D. 311,785 | 10/1990 | Gaynor .....          | D28/61  |
| 2,267,921  | 12/1941 | Huckfeldt .....       | 312/121 |

[76] Inventor: **Xiao Y. Mers**, 316 Cameron St., SE., Atlanta, Ga. 30312

[\*\*] Term: **14 Years**

*Primary Examiner*—Ted Shooman  
*Assistant Examiner*—C. Tuttle  
*Attorney, Agent, or Firm*—Jones & Askew

[21] Appl. No.: **19,906**

[57] **CLAIM**

[22] Filed: **Mar. 14, 1994**

The ornamental design for a rectangular organizer for manicure polish and implements, as shown.

[52] **U.S. Cl.** ..... **D28/61; D6/470; D6/471**

[58] **Field of Search** ..... D28/61, 73, 74; D6/432, 436, 437, 440, 443, 449, 470, 471, 474, 476; D3/20, 205, 273-276, 283, 284, 294, 295, 901; 211/13; 206/581, 372, 823, 373; 132/286, 314, 315; 312/107, 109, 114, 117, 283, 290

**DESCRIPTION**

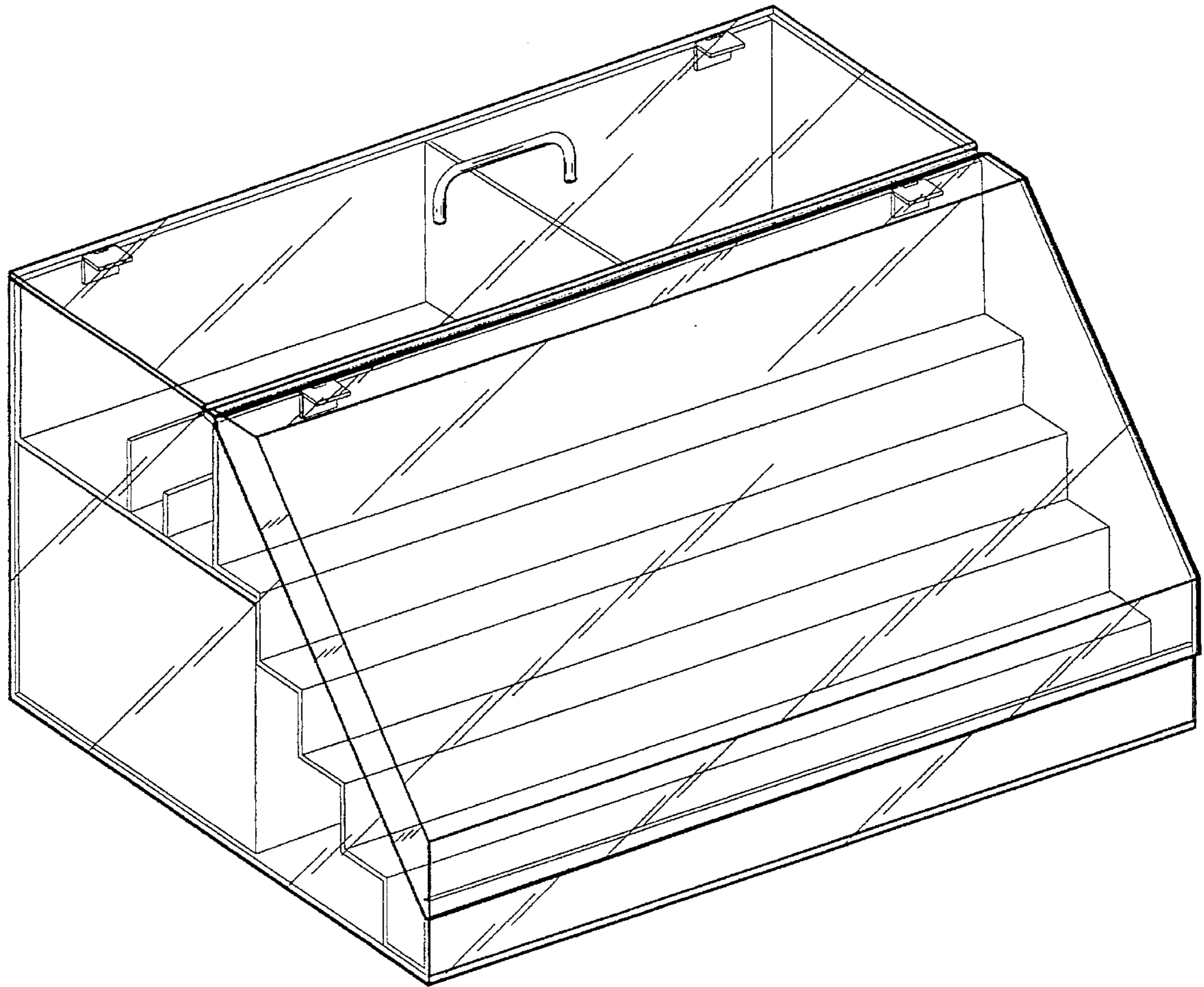
FIG. 1 is a perspective view showing my new rectangular organizer for manicure polish and implements;  
FIG. 2 is a front view thereof;  
FIG. 3 is a left side view thereof;  
FIG. 4 is a back view thereof;  
FIG. 5 is a right side view thereof;  
FIG. 6 is a top view thereof; and,  
FIG. 7 is a bottom view thereof.

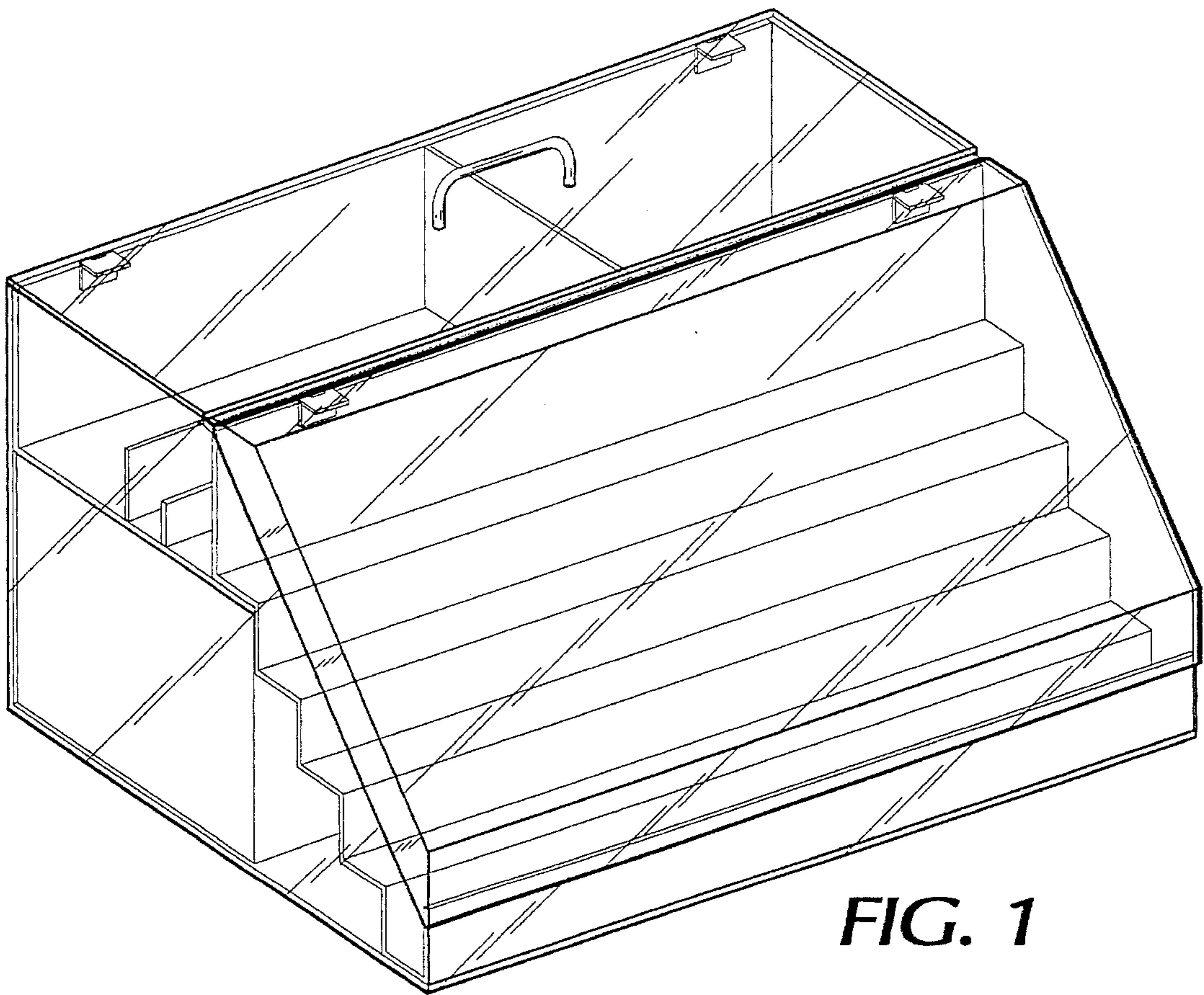
[56] **References Cited**

**U.S. PATENT DOCUMENTS**

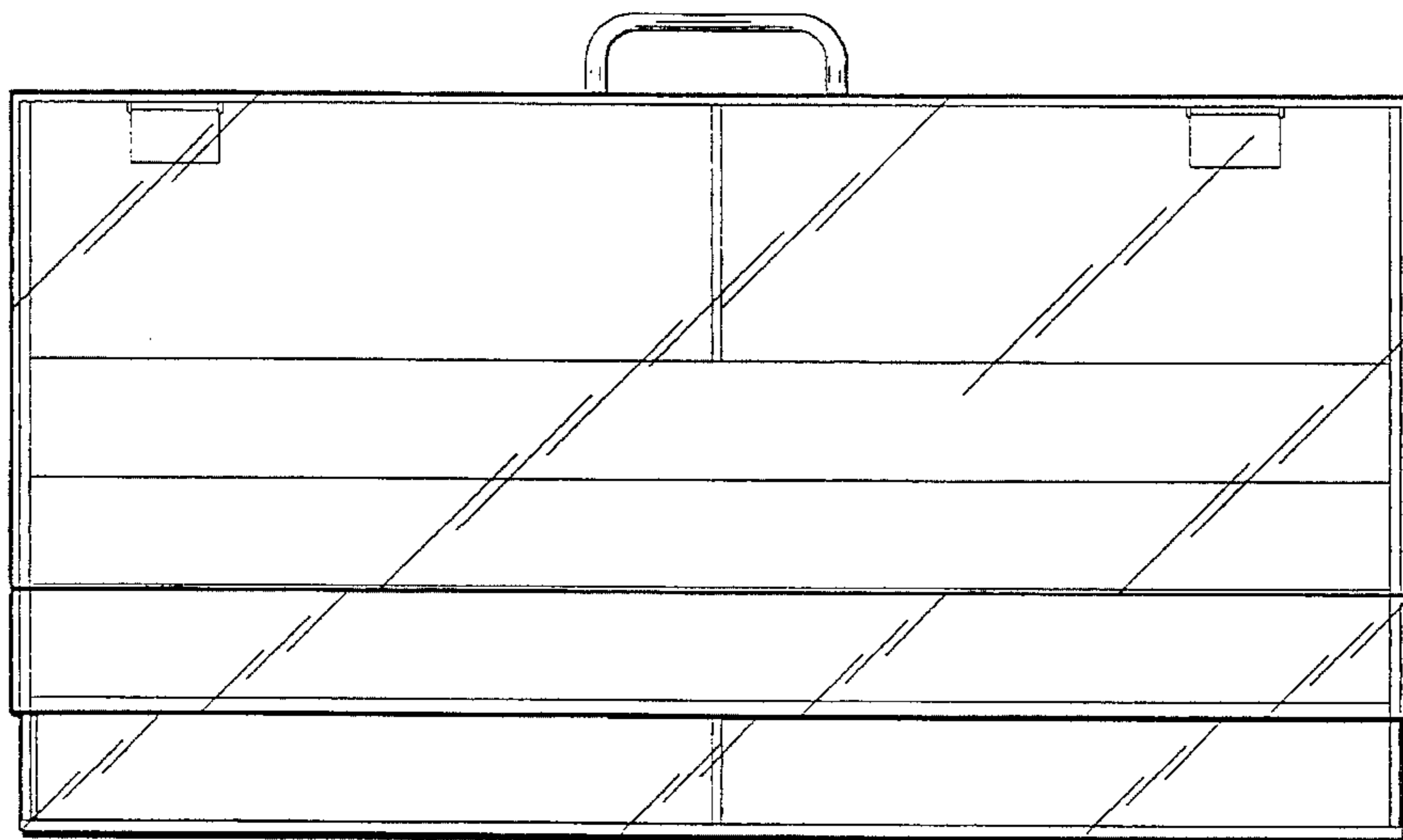
|            |        |                  |          |
|------------|--------|------------------|----------|
| D. 109,208 | 4/1938 | Conradson .....  | D28/61   |
| D. 234,727 | 4/1975 | Mark .....       | D6/471 X |
| D. 252,409 | 7/1979 | Rose et al. .... | D3/901 X |

**1 Claim, 3 Drawing Sheets**



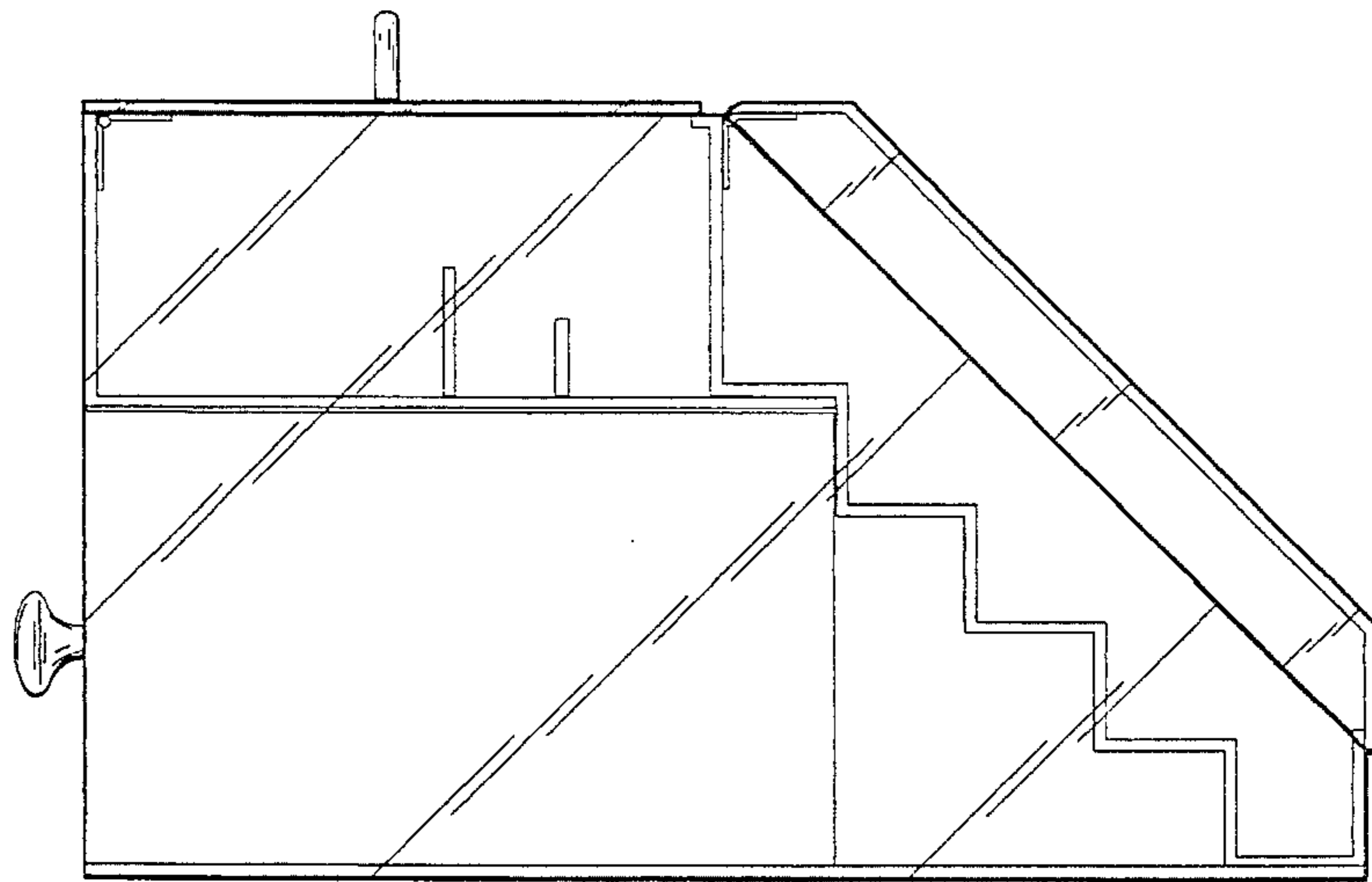


**FIG. 1**

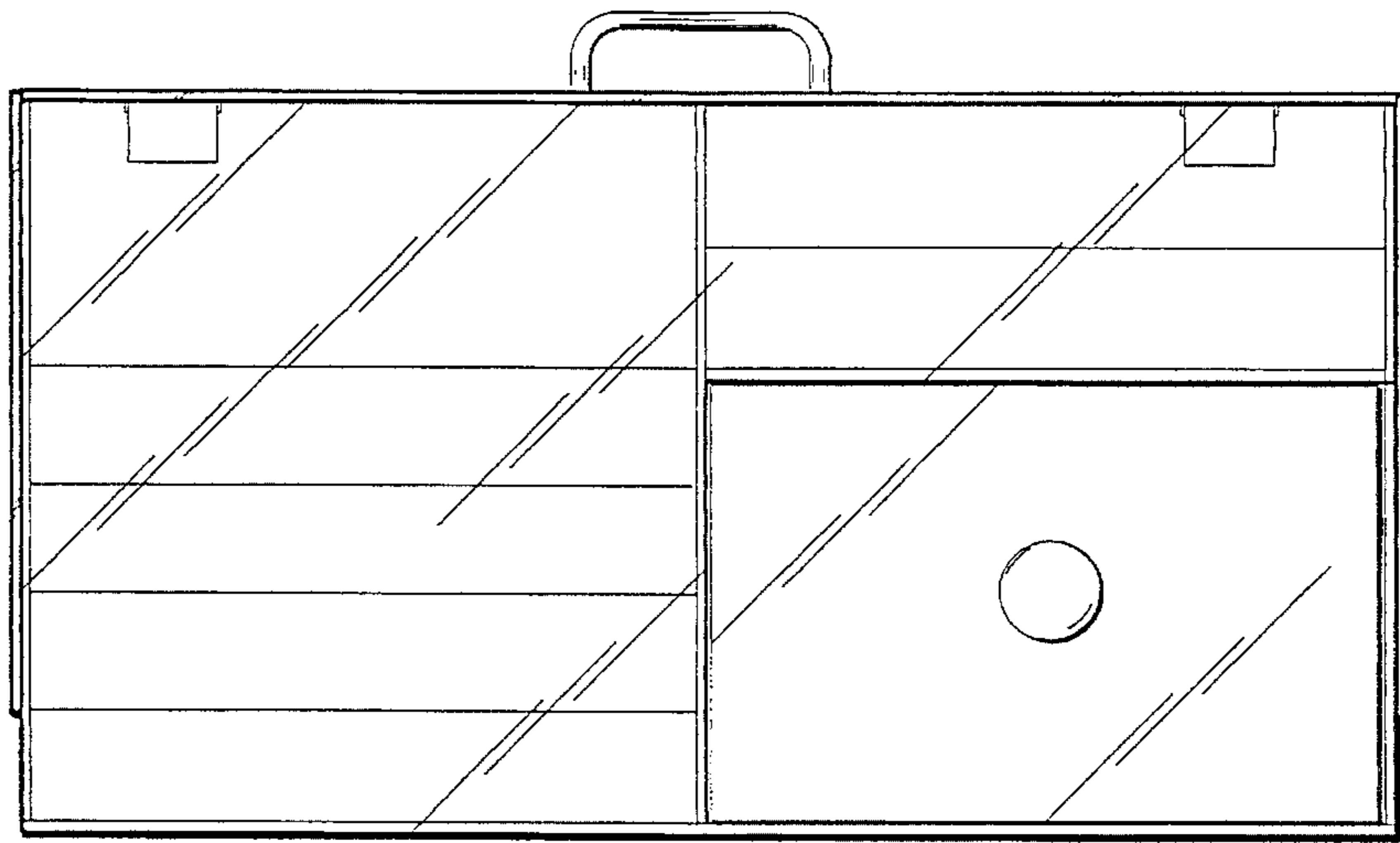


**FIG. 2**

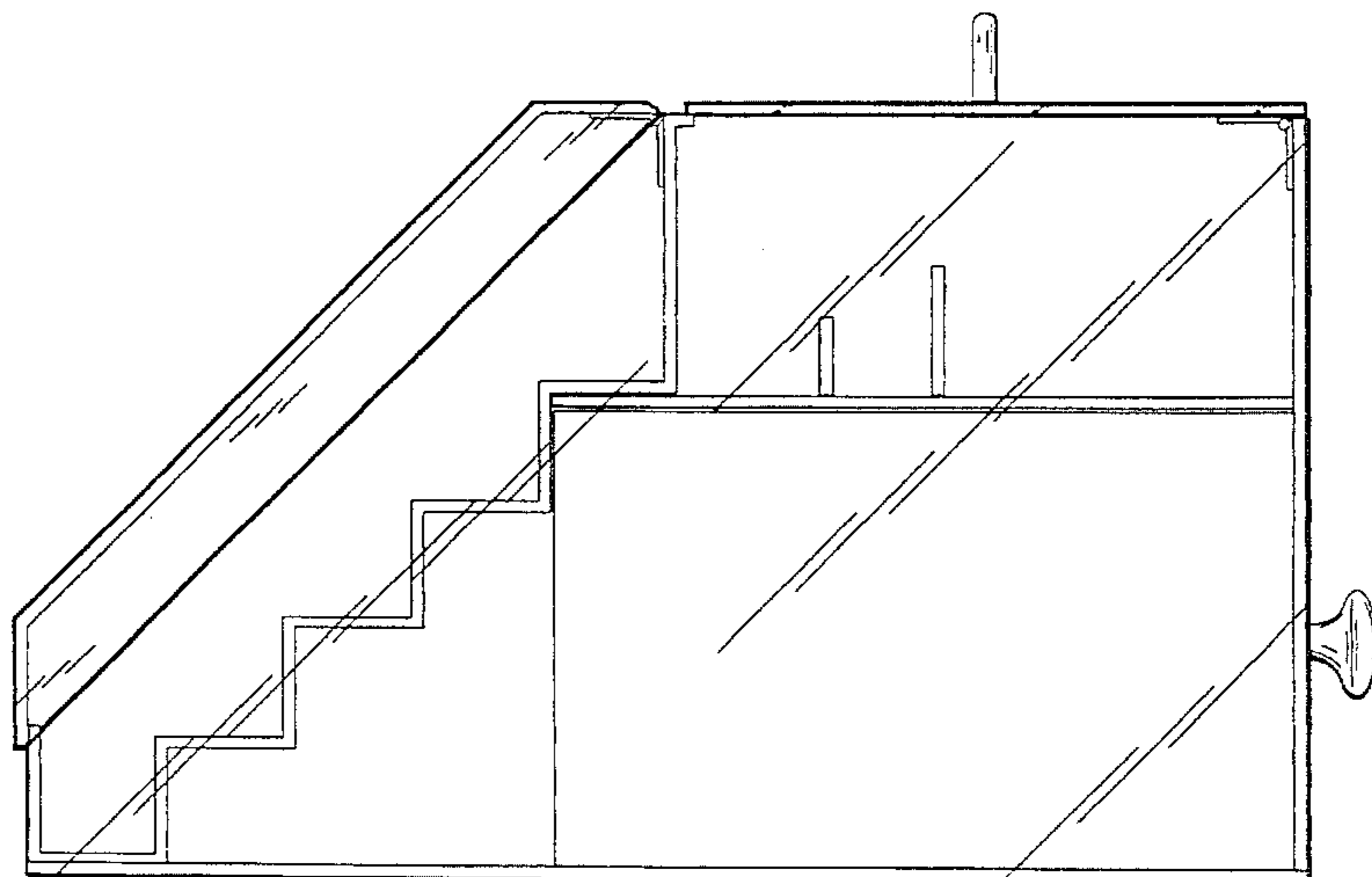
**FIG. 3**



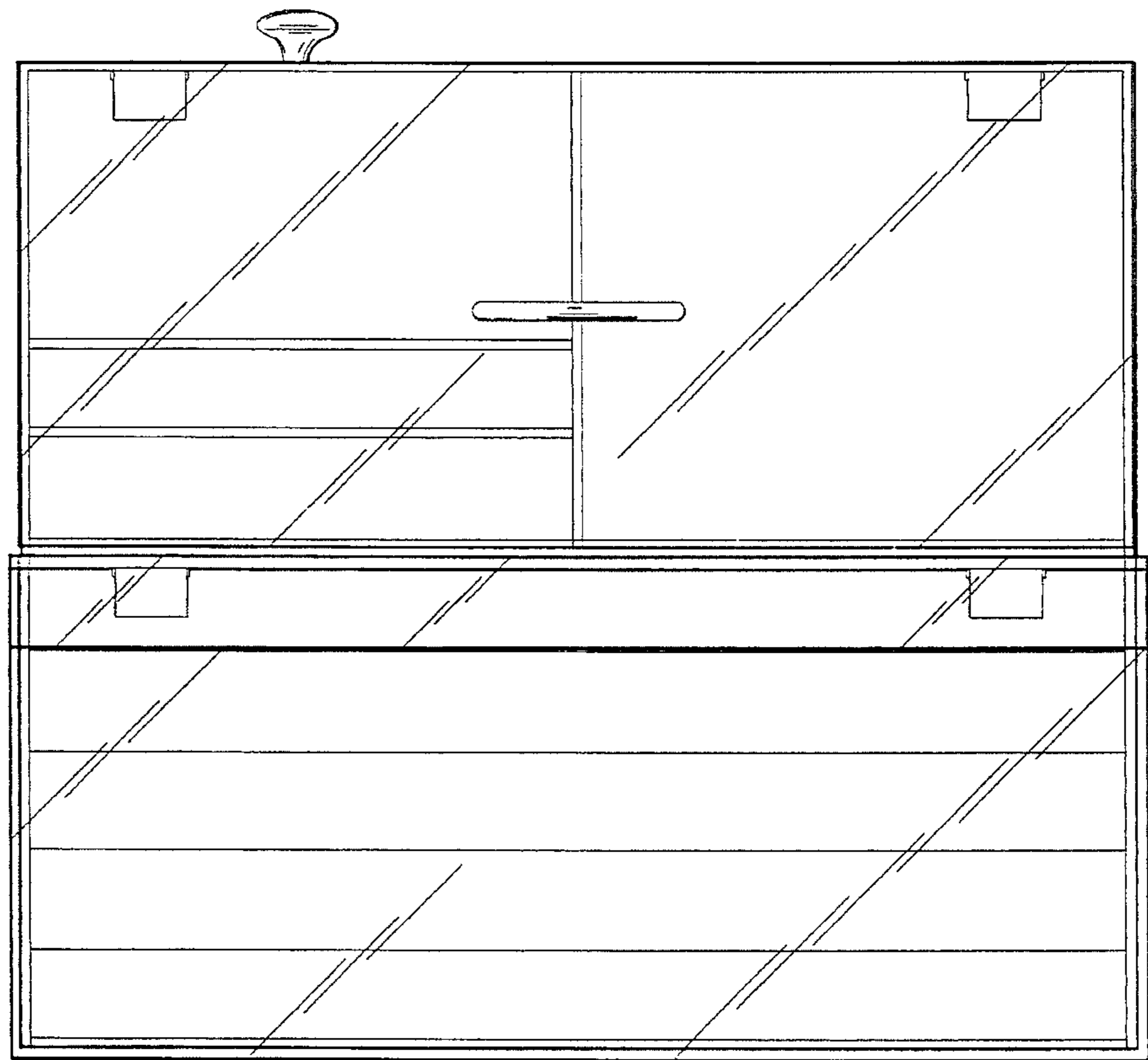
**FIG. 4**



**FIG. 5**



**FIG. 6**



**FIG. 7**

