



US00D362923S

United States Patent [19]

[11] Patent Number: **Des. 362,923**

Greutmann

[45] Date of Patent: ****Oct. 3, 1995**

[54] **COMBINED NAIL FILE AND SHEATH THEREFOR**

Assistant Examiner—C. Tuttle

Attorney, Agent, or Firm—Sprung Horn Kramer & Woods

[75] Inventor: **Urs Greutmann, Zurich, Switzerland**

[57] **CLAIM**

[73] Assignee: **Foiltec Ltd., Winterthur, Switzerland**

The ornamental design for a combined nail file and sheath therefor, as shown and described.

[**] Term: **14 Years**

DESCRIPTION

[21] Appl. No.: **8,718**

FIG. 1 is a perspective view of my new design of a nail file assembly including a combined nail file and a sheath therefor;

[22] Filed: **May 25, 1993**

[52] U.S. Cl. **D28/57; D28/59**

FIG. 2 is a right side view thereof;

[58] Field of Search **D28/56-59, 62; 132/73, 73.5, 75, 75.3, 75.6, 76.2, 76.4, 76.5**

FIG. 3 is a left side view thereof;

FIG. 4 is a rear end view thereof;

FIG. 5 is a front end view thereof;

FIG. 6 is a top view thereof;

FIG. 7 is a bottom view thereof;

FIG. 8 is a perspective view shown without the sheath element for clarity of illustration;

FIG. 9 is a right side view thereof;

FIG. 10 is a left side view thereof;

FIG. 11 is a rear end view thereof;

FIG. 12 is a front end view thereof;

FIG. 13 is a top view thereof; and,

FIG. 14 is a bottom view thereof.

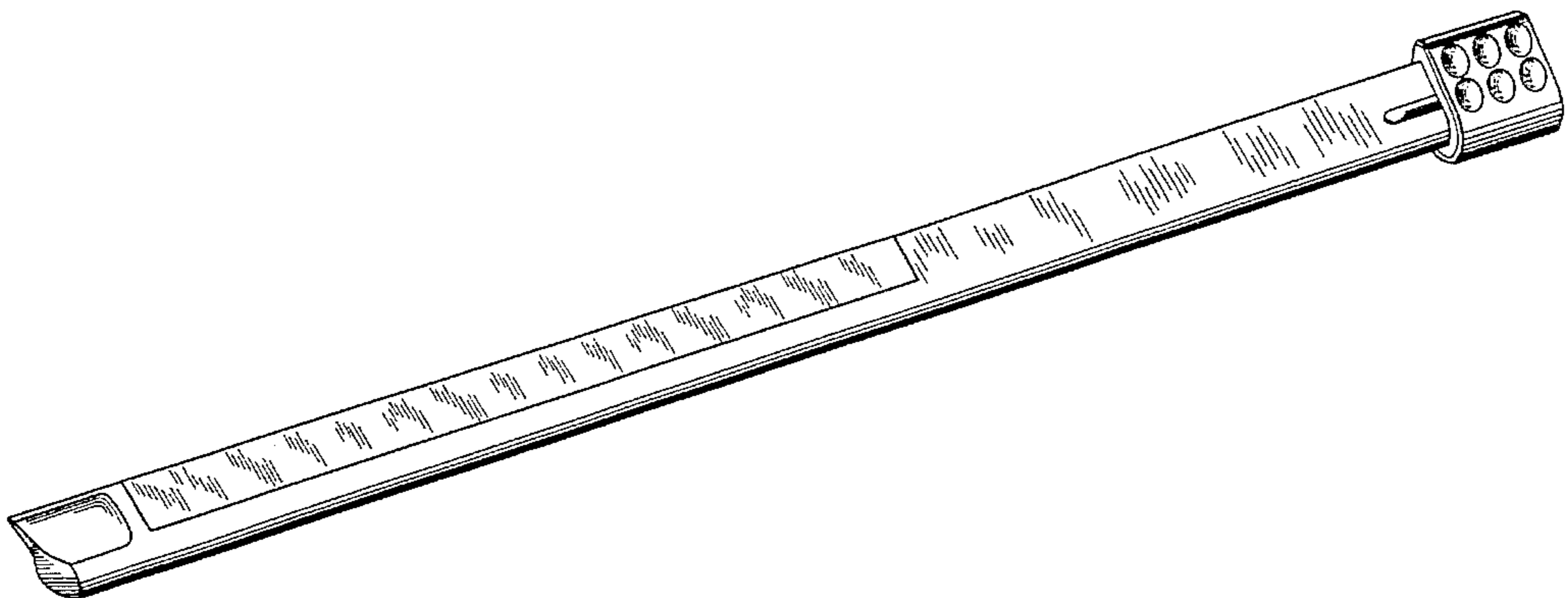
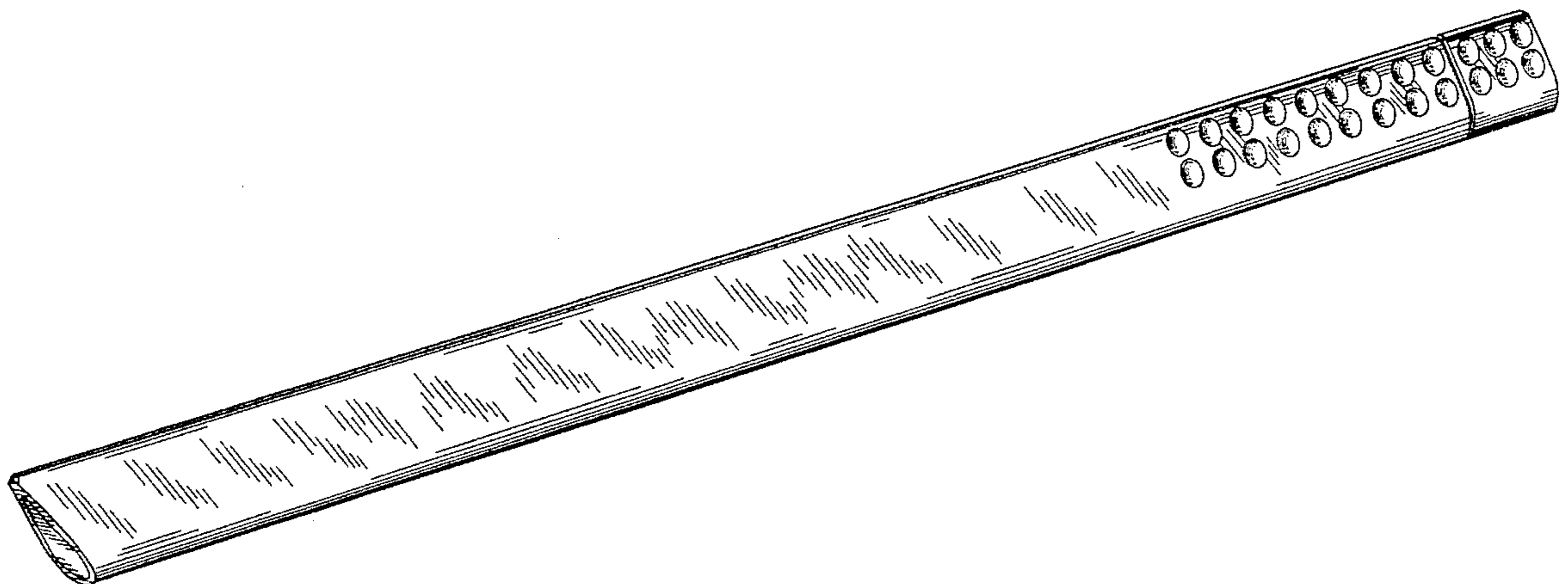
[56] References Cited

U.S. PATENT DOCUMENTS

D. 33,678	12/1900	Rosenberg	D28/59
D. 138,030	6/1944	Mathews	D28/77
D. 249,167	8/1978	Hovda	D28/59 X
D. 273,143	3/1984	Jankewitz	D28/57
D. 273,144	3/1984	Jankewitz	D28/57
D. 284,225	6/1986	Dulick	D28/59
D. 310,581	9/1990	Sadler	D28/57

Primary Examiner—Prabhakar G. Deshmukh

1 Claim, 6 Drawing Sheets



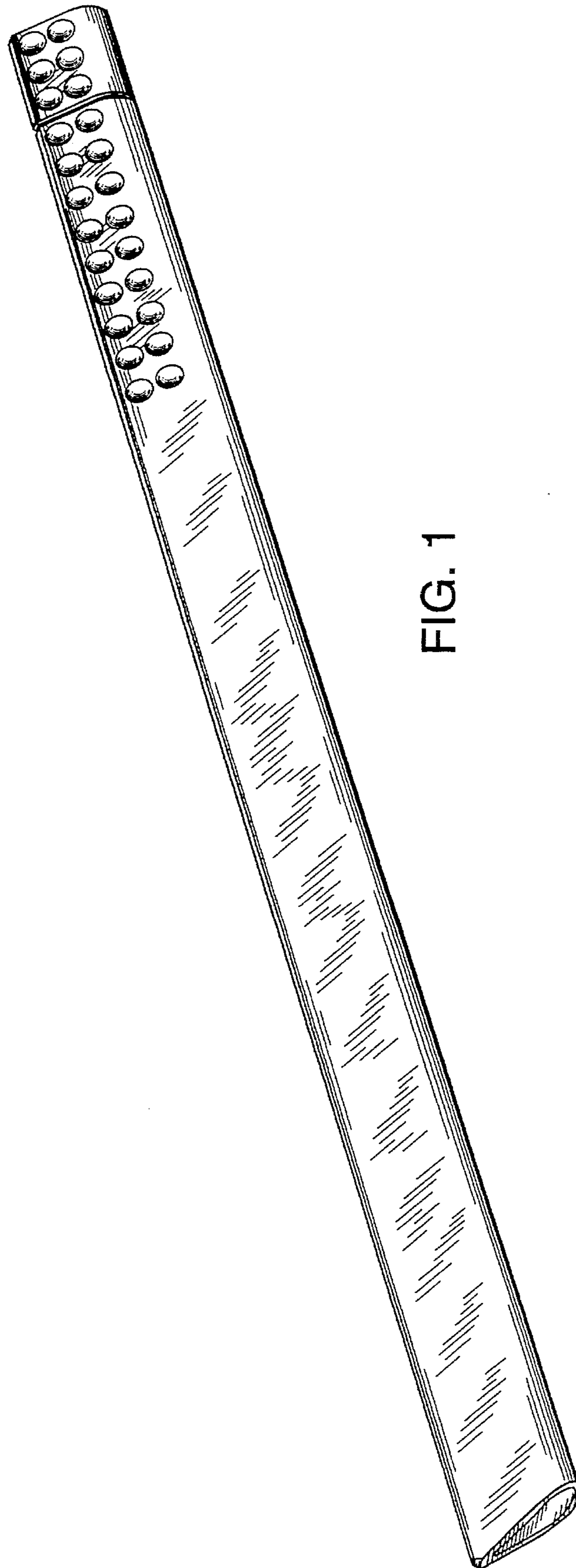


FIG. 1

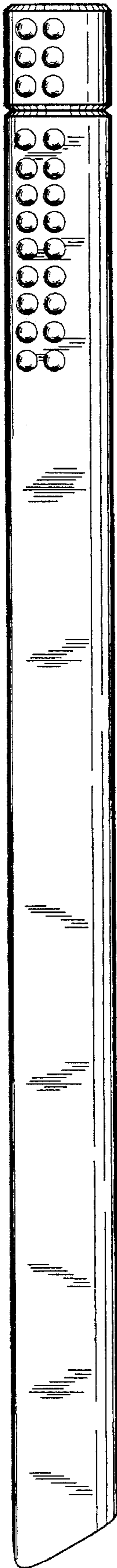


FIG. 2

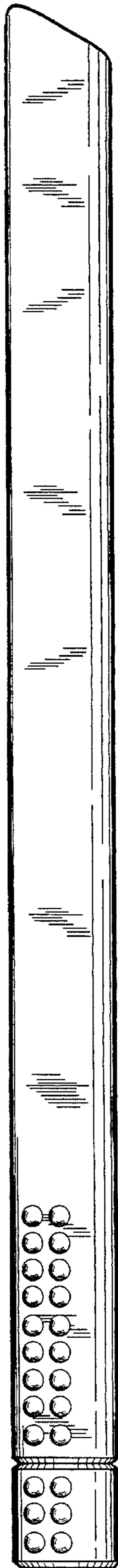


FIG. 3



FIG. 4

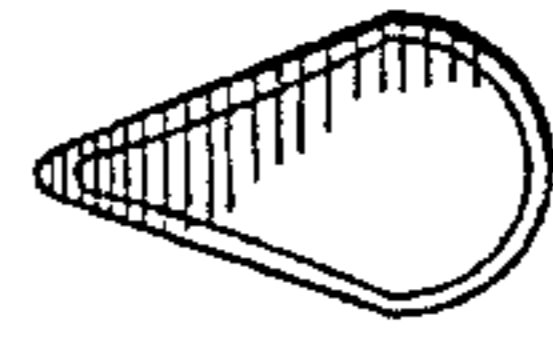


FIG. 5



FIG. 6



FIG. 7

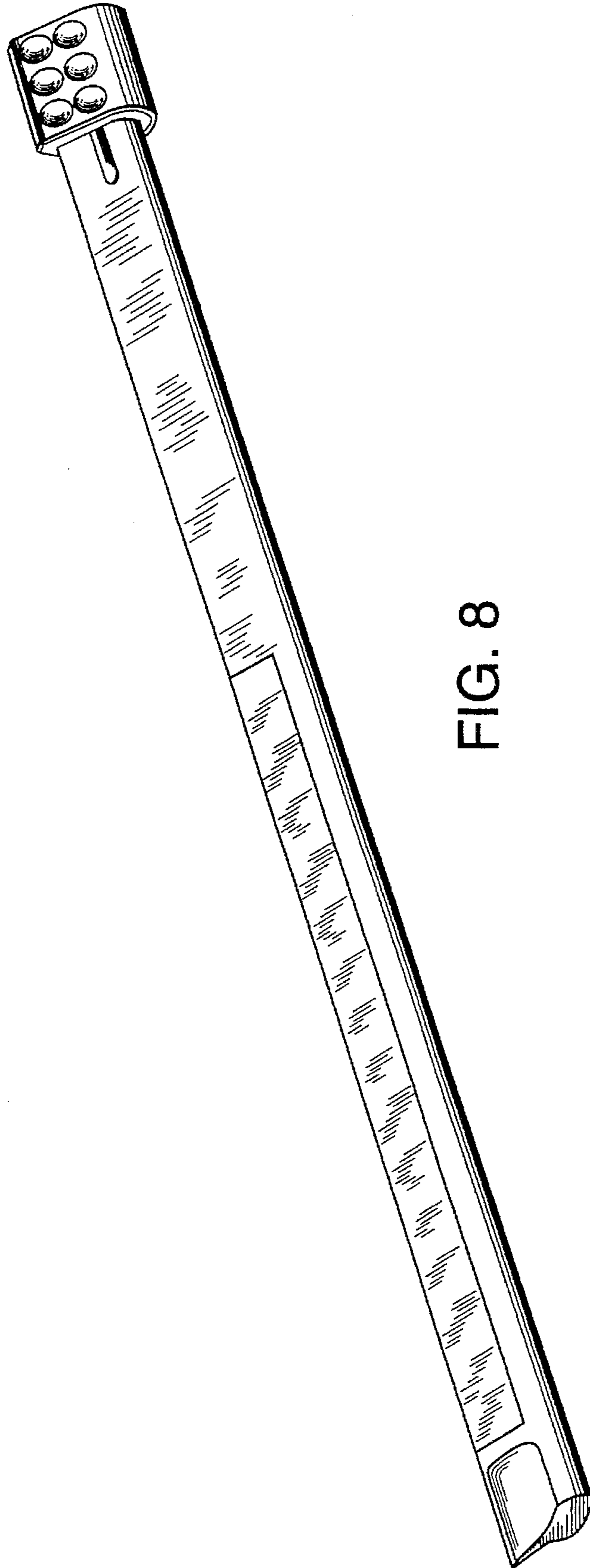


FIG. 8

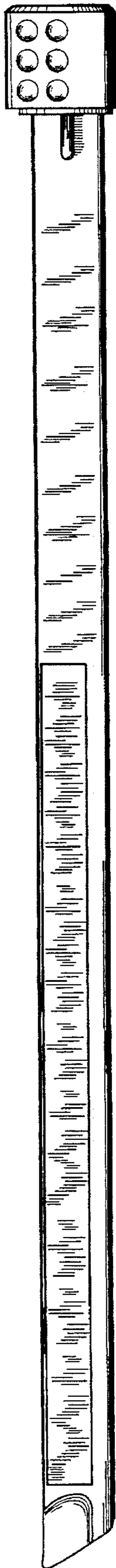


FIG. 9

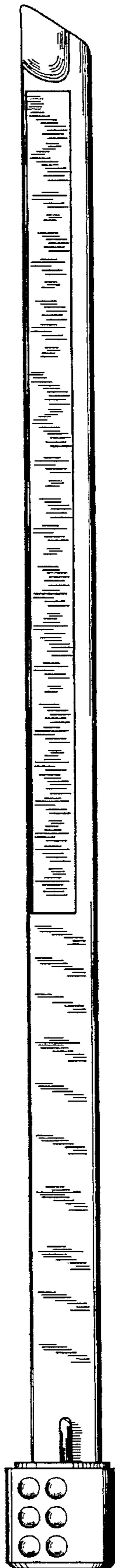


FIG. 10



FIG. 11

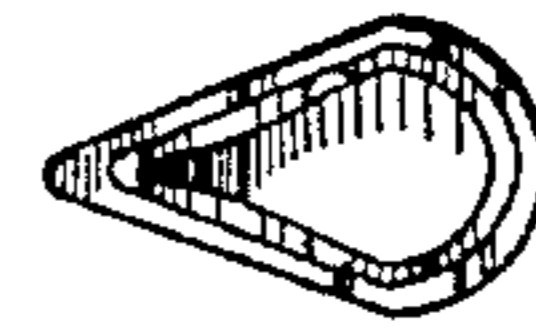


FIG. 12

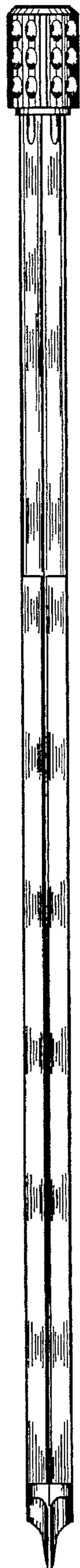


FIG. 13

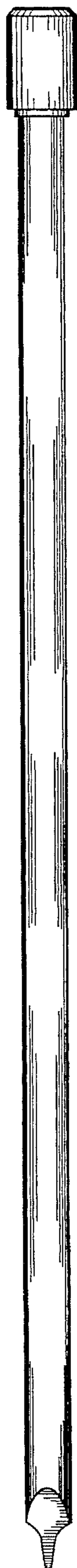


FIG. 14