



US00D362922S

United States Patent [19]

[11] Patent Number: **Des. 362,922**

Prince et al.

[45] Date of Patent: ****Oct. 3, 1995**

[54] **HAIR CURLER STEAMER ENCLOSURE**

[75] Inventors: **Jack H. Prince**, Suffen; **Gerald Fink**, Cornwall, both of N.Y.; **Richard B. Caruso**, Huntingdon Valley, Pa.

[73] Assignee: **Celeste Company, Inc.**, Warminster, Pa.

[**] Term: **14 Years**

[21] Appl. No.: **15,256**

[22] Filed: **Nov. 12, 1993**

Related U.S. Application Data

[63] Continuation-in-part of Ser. No. 8,559, May 19, 1993, Pat. No. Des. 357,766.

[52] U.S. Cl. **D28/38**

[58] Field of Search D28/38, 73, 61; D23/362, 360, 332; 132/227, 228, 233, 272; 219/222, 226, 242

[56] **References Cited**

U.S. PATENT DOCUMENTS

D. 48,166	11/1915	Bennett	D19/85
D. 65,098	7/1924	Brewster	D9/529
D. 166,827	5/1952	Schluttig	D28/76
D. 217,202	4/1970	Moffat	D28/38
D. 217,481	5/1970	Bernard	D28/38
D. 300,472	3/1989	Keung	D28/38
D. 302,052	7/1989	Plaut	D28/17 X
D. 304,245	10/1989	Janni	D28/38
D. 322,754	10/1991	Hain et al.	D9/529
D. 343,591	1/1994	Lovato	D9/420
1,809,510	6/1931	Churchill	132/233

2,525,274	10/1950	Schieimer	219/222
2,668,993	2/1954	Bair	D23/362 X
2,881,755	4/1959	Diehl	126/271.1
3,495,343	2/1970	Duncanson	.	
3,584,632	6/1971	Weidner et al.	132/9
3,645,007	2/1972	Scott	34/60
4,354,092	10/1982	Manabe et al.	219/242 X
4,771,797	9/1988	Kosaka	132/272
5,220,931	7/1993	Aida	34/99 X

Primary Examiner—Theodore M. Shooman
Assistant Examiner—C. Tuttle
Attorney, Agent, or Firm—Woodcock Washburn Kurtz Mackiewicz & Norris

[57] **CLAIM**

The ornamental design for a hair curler steamer enclosure, as shown and described.

DESCRIPTION

FIG. 1 is a front elevation of the hair curler steamer enclosure design according to our invention; FIG. 2 is a side elevation of the right side of the hair curler steamer enclosure design shown in FIG. 1; FIG. 3 is a rear elevation of the hair curler steamer enclosure design shown in FIG. 1; FIG. 4 is a side elevation of the left side of the hair curler steamer enclosure design shown in FIG. 1; FIG. 5 is a top plan view of the hair curler steamer enclosure design shown in FIG. 1; and, FIG. 6 is a view of the bottom of the hair curler steamer enclosure design shown in FIG. 1, the stippling thereon representing a rough textured surface. The ends of the cord are shown partially broken away in the various views to indicate indeterminate length.

1 Claim, 2 Drawing Sheets

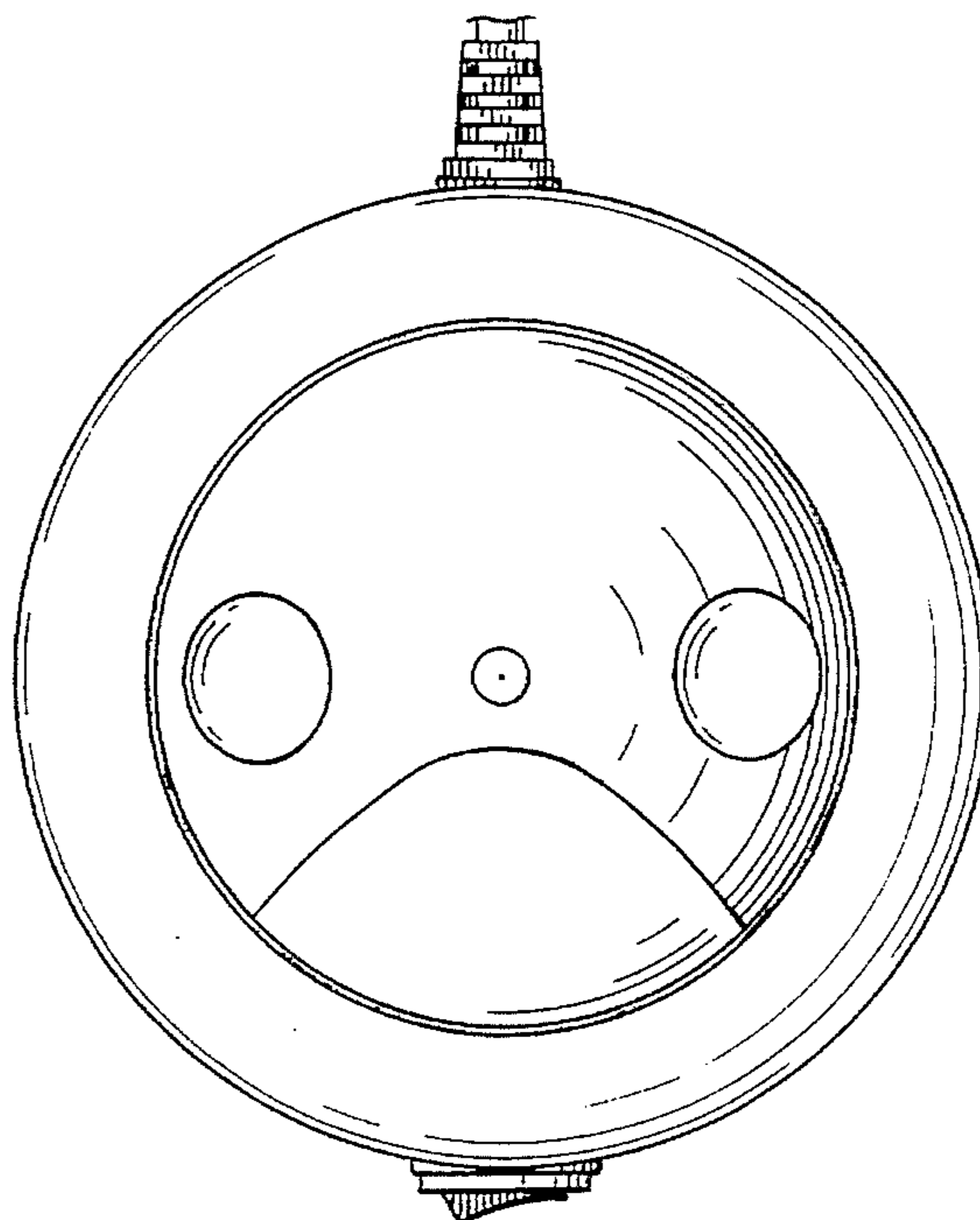
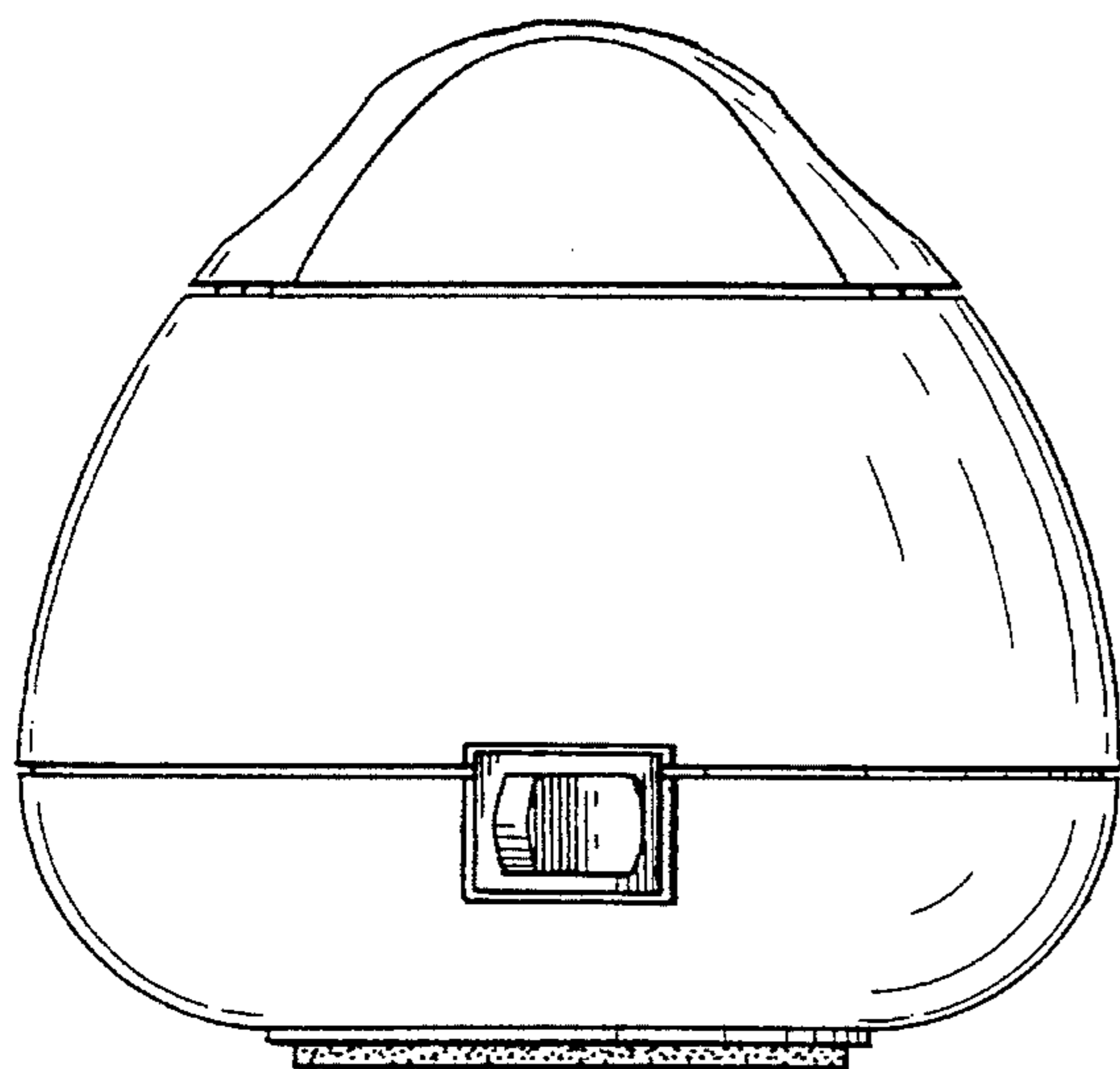


FIG. 1

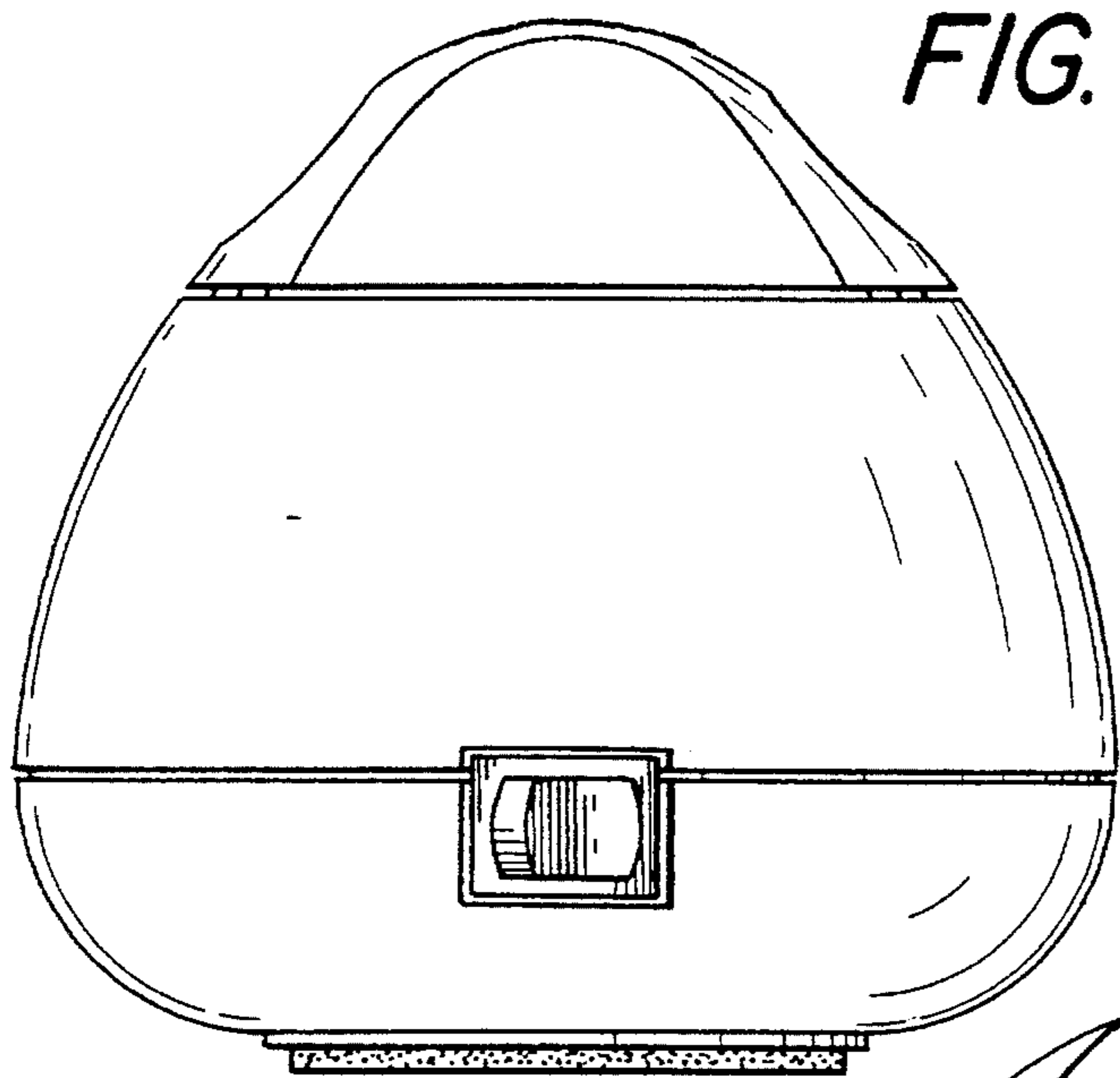


FIG. 2

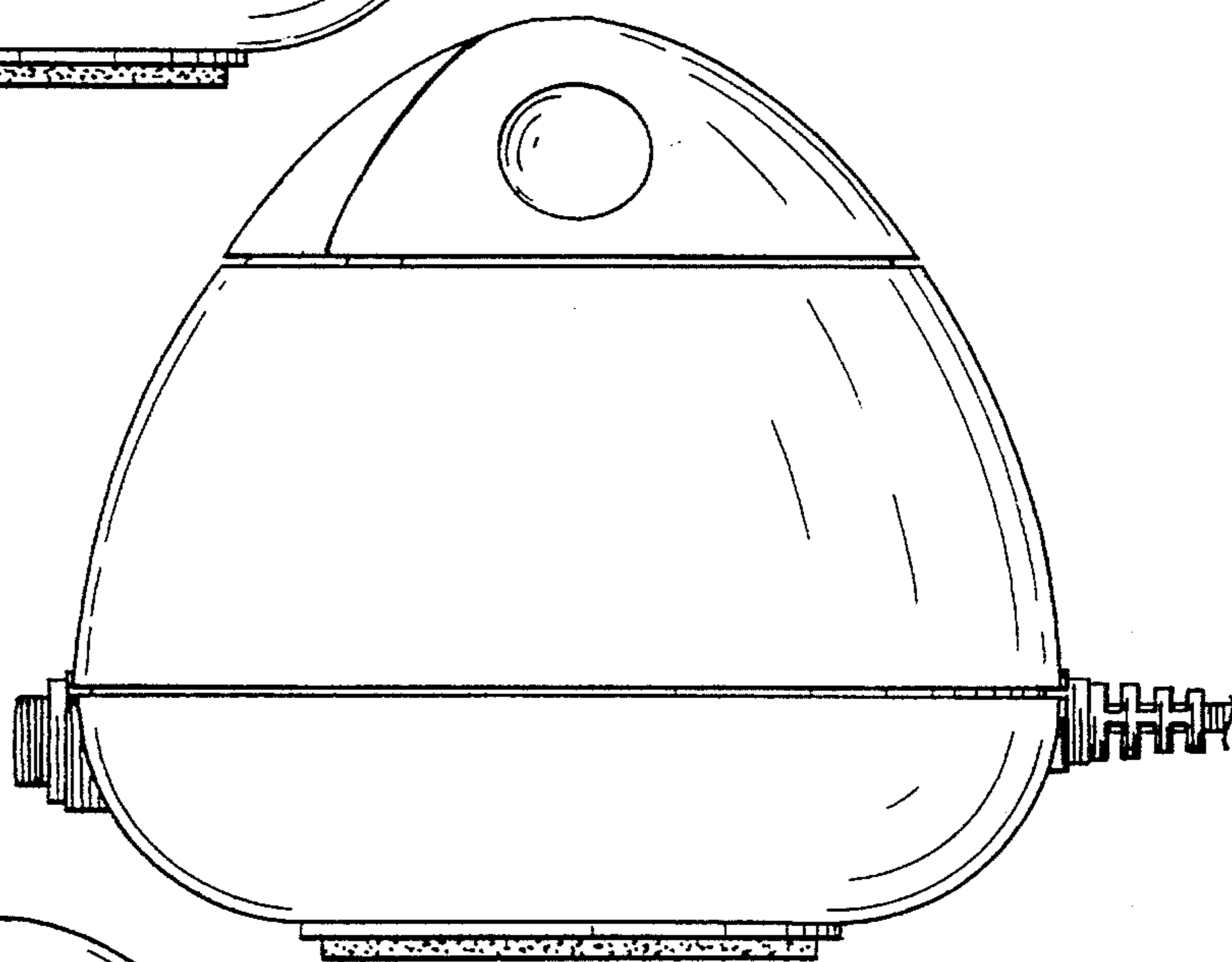


FIG. 3

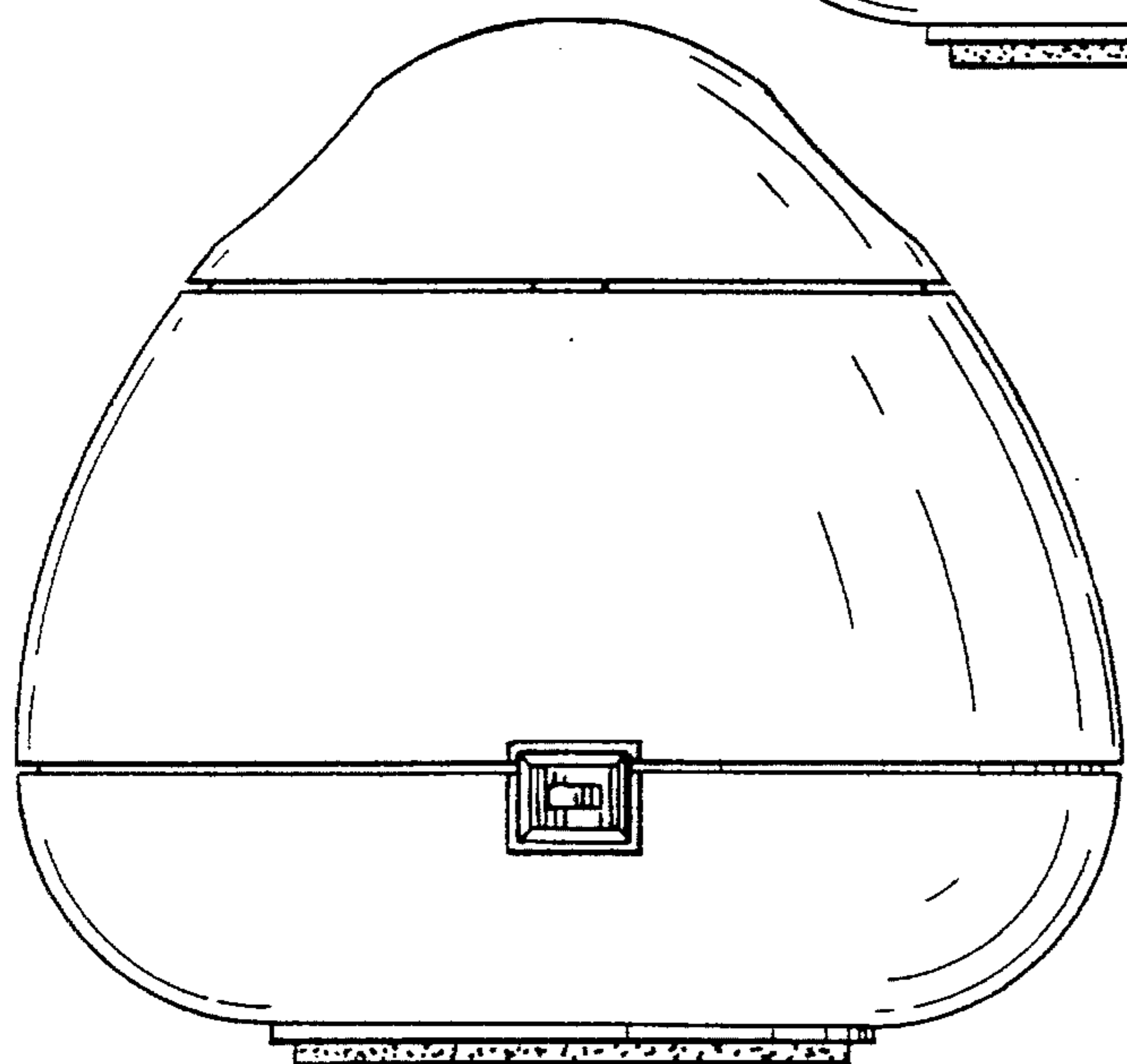


FIG. 4

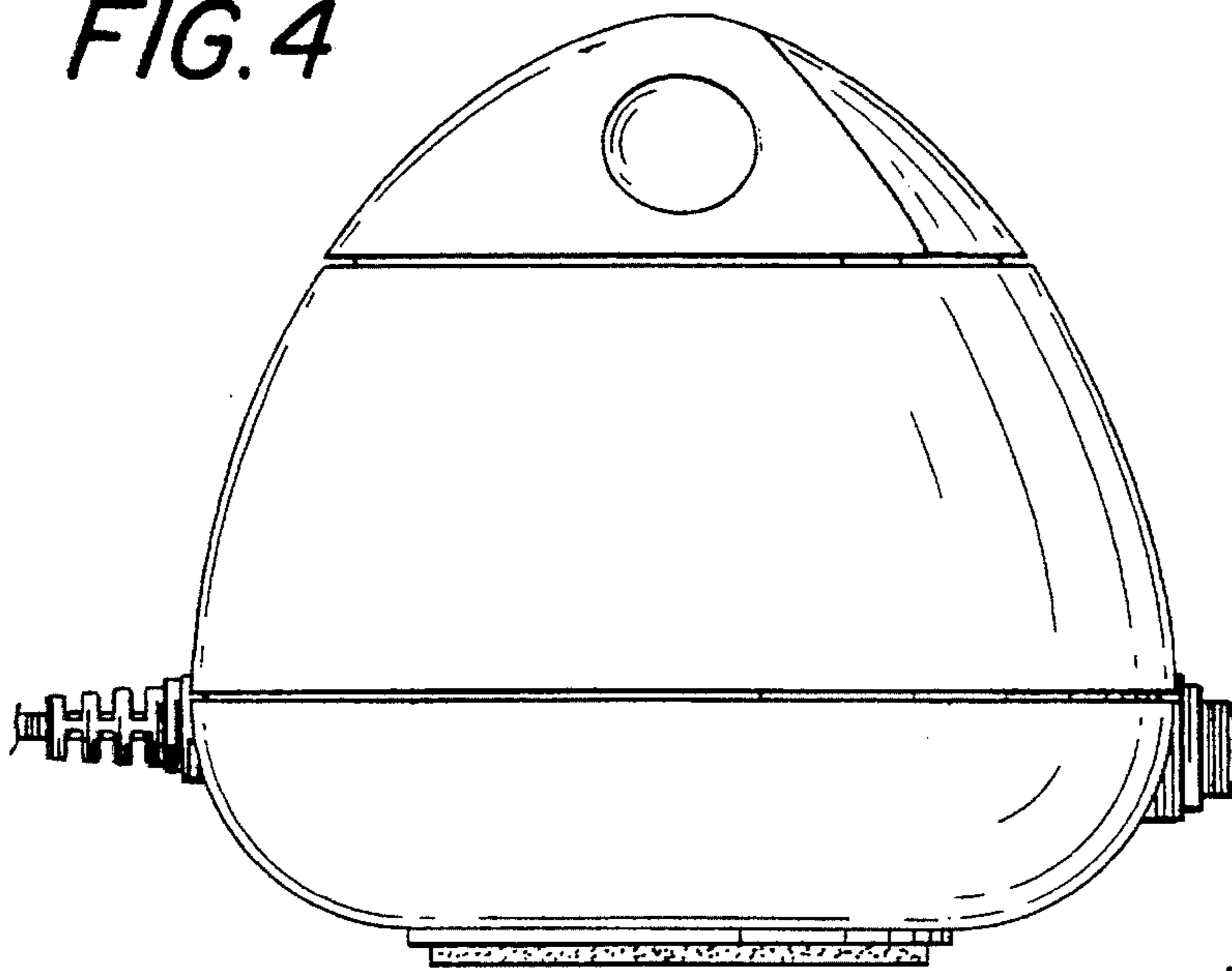


FIG. 5

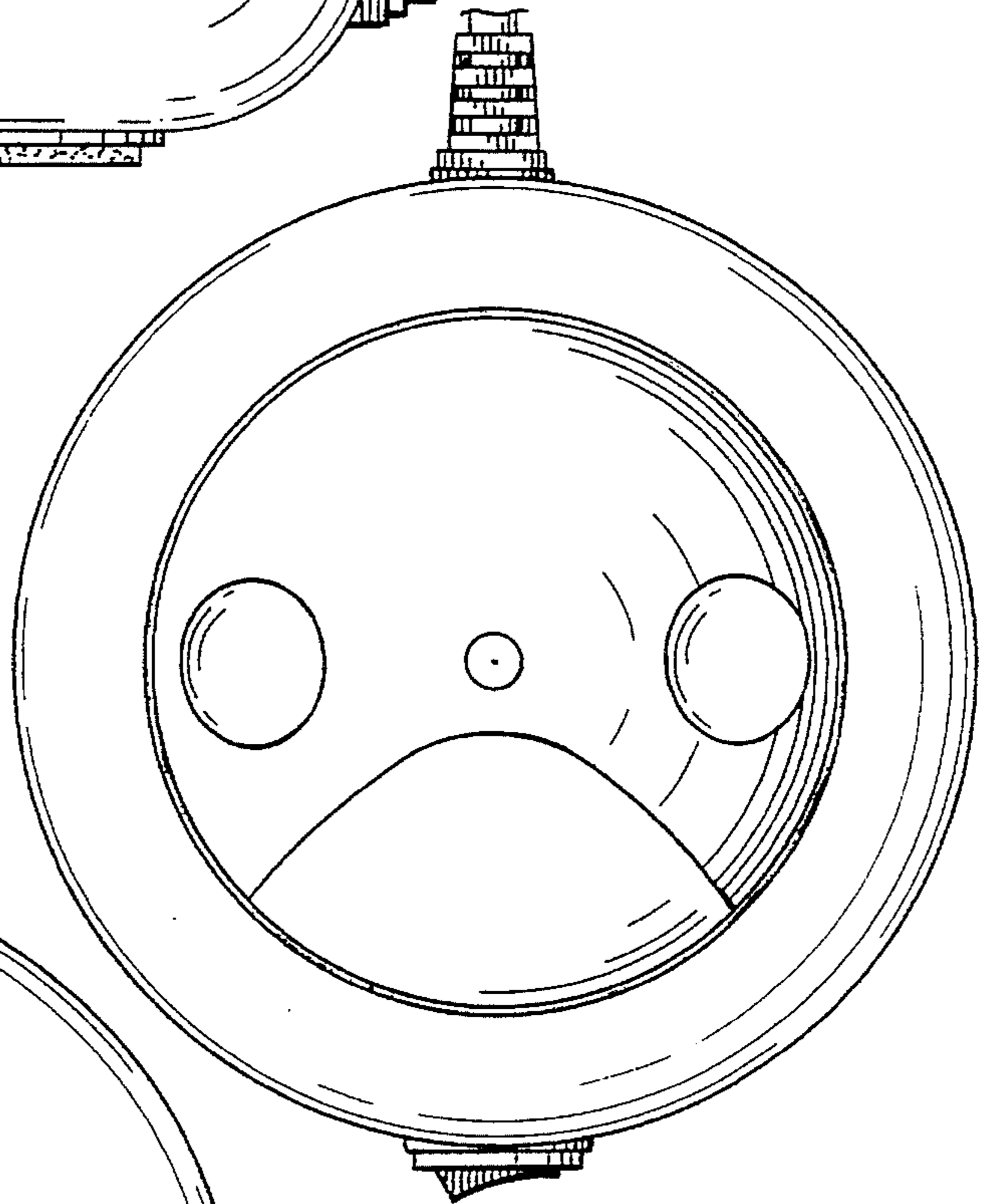


FIG. 6

