



US00D362920S

United States Patent [19]

[11] **Patent Number:** **Des. 362,920**

Schwartz

[45] **Date of Patent:** ****Oct. 3, 1995**

[54] **WARNING LIGHT FOR JOGGERS**

[75] Inventor: **Frederic W. Schwartz**, Providence, R.I.

[73] Assignee: **Global Electronics Industries, Inc.**, Providence, R.I.

[**] Term: **14 Years**

[21] Appl. No.: **5,840**

[22] Filed: **Mar. 12, 1993**

[52] U.S. Cl. **D26/39**

[58] **Field of Search** **D26/37-50; 362/103, 362/157, 158, 183-191, 194-202, 104, 105**

[56] **References Cited**

U.S. PATENT DOCUMENTS

D. 320,667	10/1991	Smith	D26/39
D. 340,778	10/1993	Oberlander	D26/39
1,278,738	9/1918	Petrie	D26/39
1,764,549	6/1930	Caroselli et al.	D26/39
3,042,797	7/1962	Rubens	D26/39

Primary Examiner—James M. Gandy
Assistant Examiner—Marcus Jackson
Attorney, Agent, or Firm—Salter & Michaelson

[57] **CLAIM**

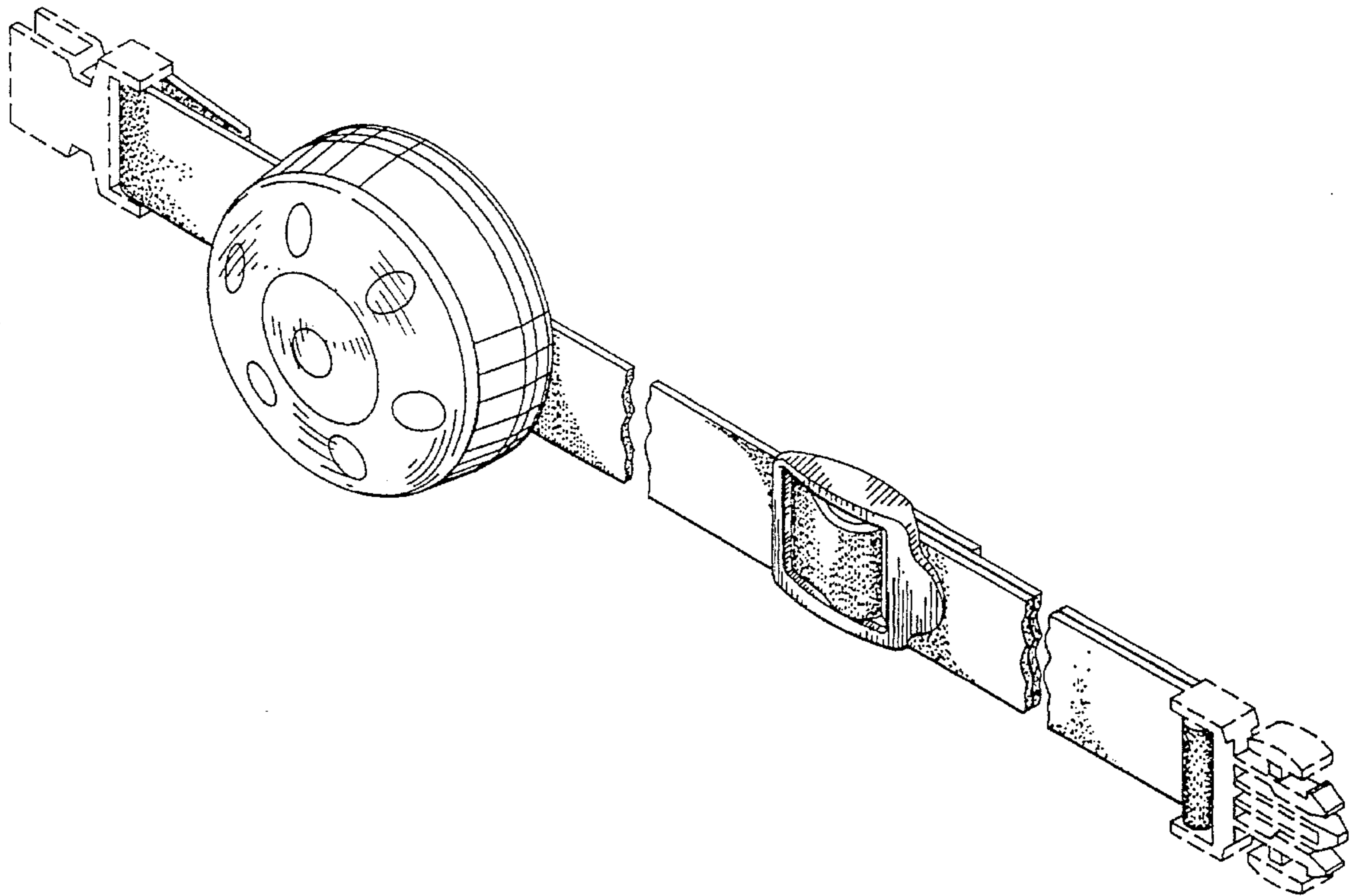
The ornamental design for a warning light for joggers, as shown and described.

DESCRIPTION

FIG. 1 is a perspective view of a warning light for joggers showing my new design, with the straps broken away to indicate indeterminate length, and with the broken lines showing for illustrative purposes only and forming no part of the claimed design;

FIG. 2 is a front elevational view thereof;
FIG. 3 is a rear elevational view thereof;
FIG. 4 is a top plan view thereof;
FIG. 5 is a bottom plan view thereof;
FIG. 6 is a right-end view thereof;
FIG. 7 is a left-end view thereof; and,
FIG. 8 is a reduced perspective view thereof.

1 Claim, 2 Drawing Sheets



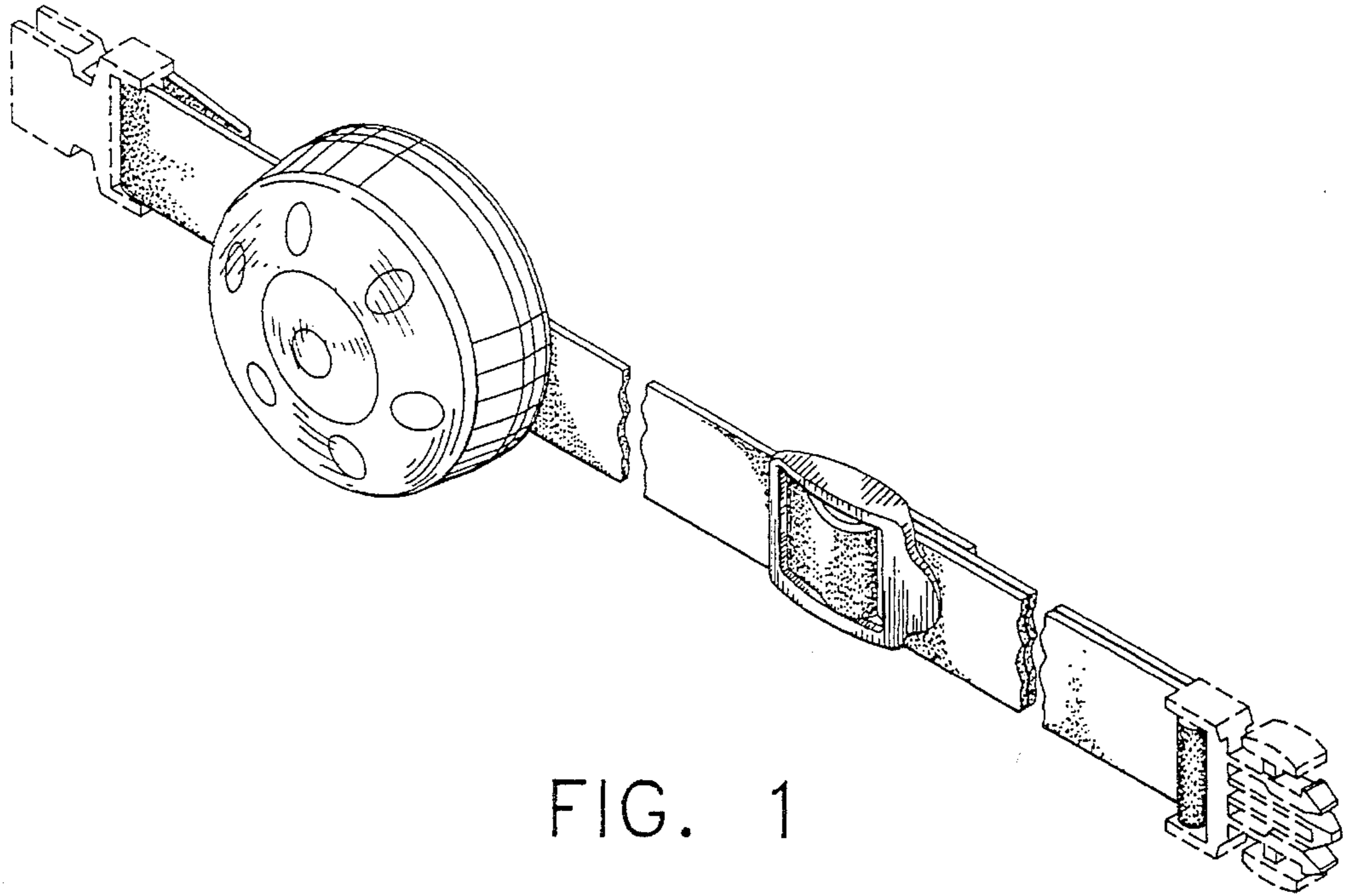


FIG. 1

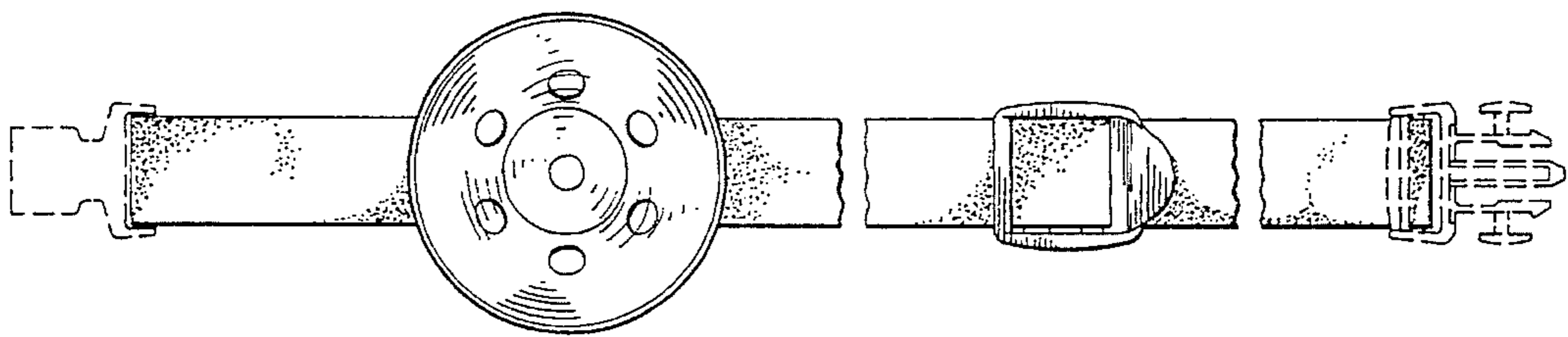


FIG. 2

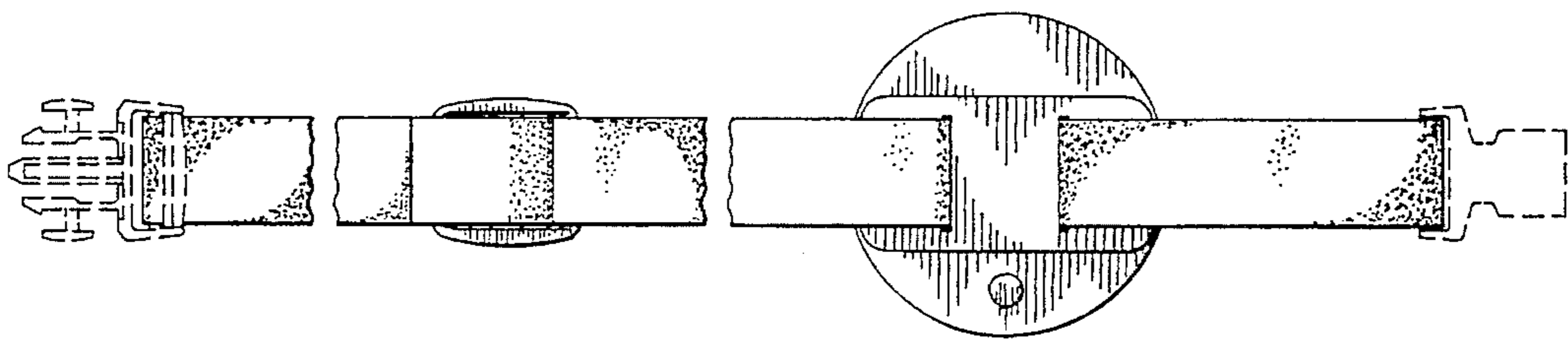


FIG. 3

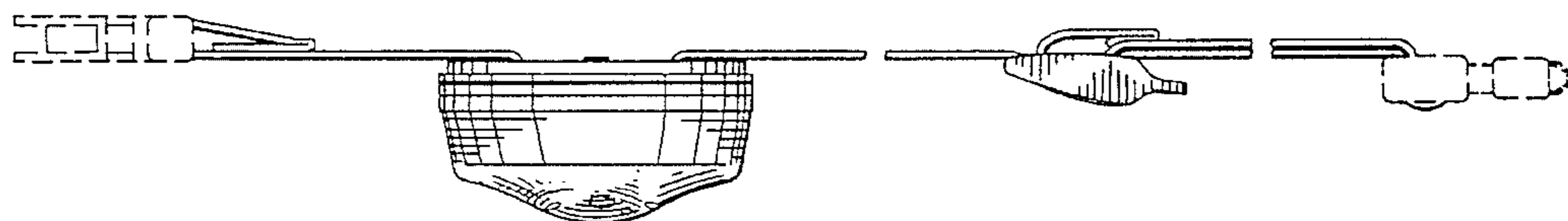


FIG. 4

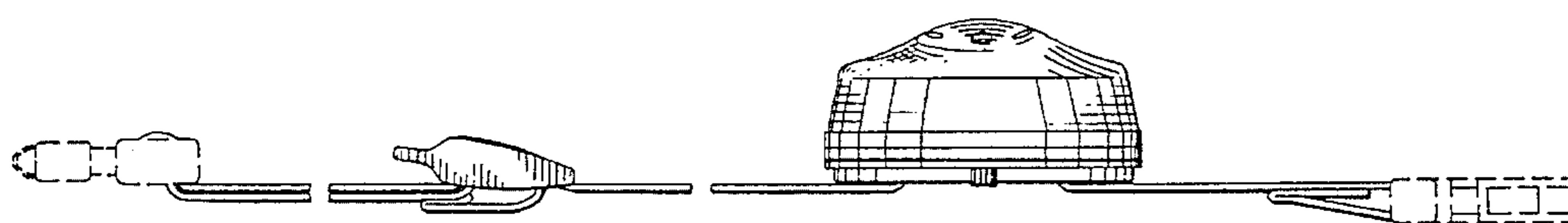


FIG. 5

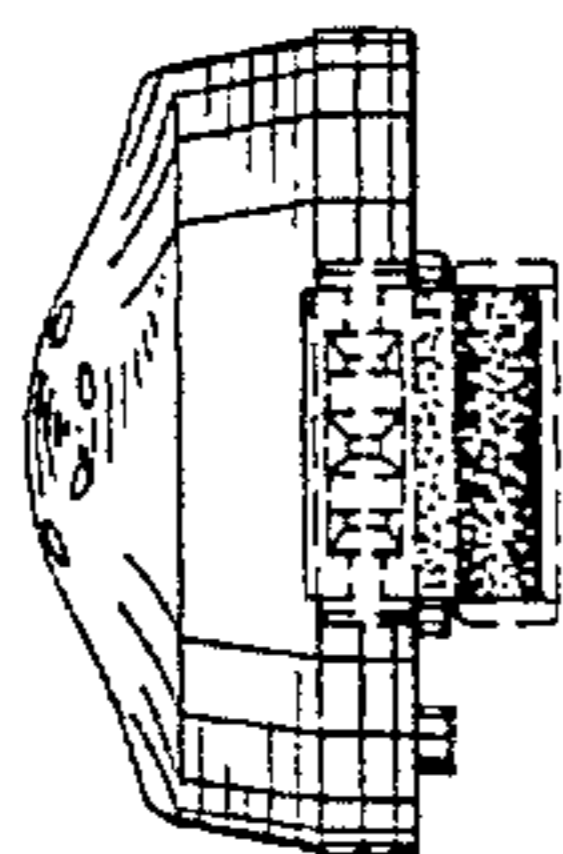


FIG. 6

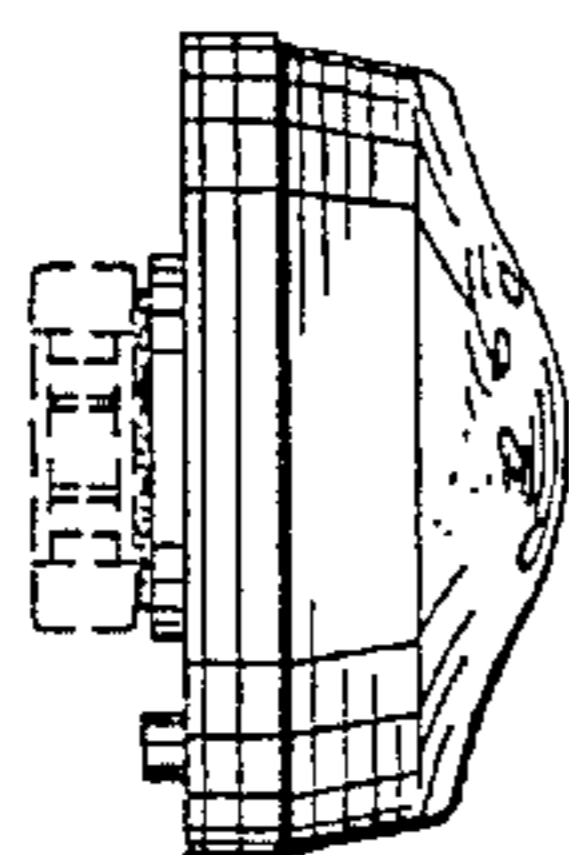


FIG. 7

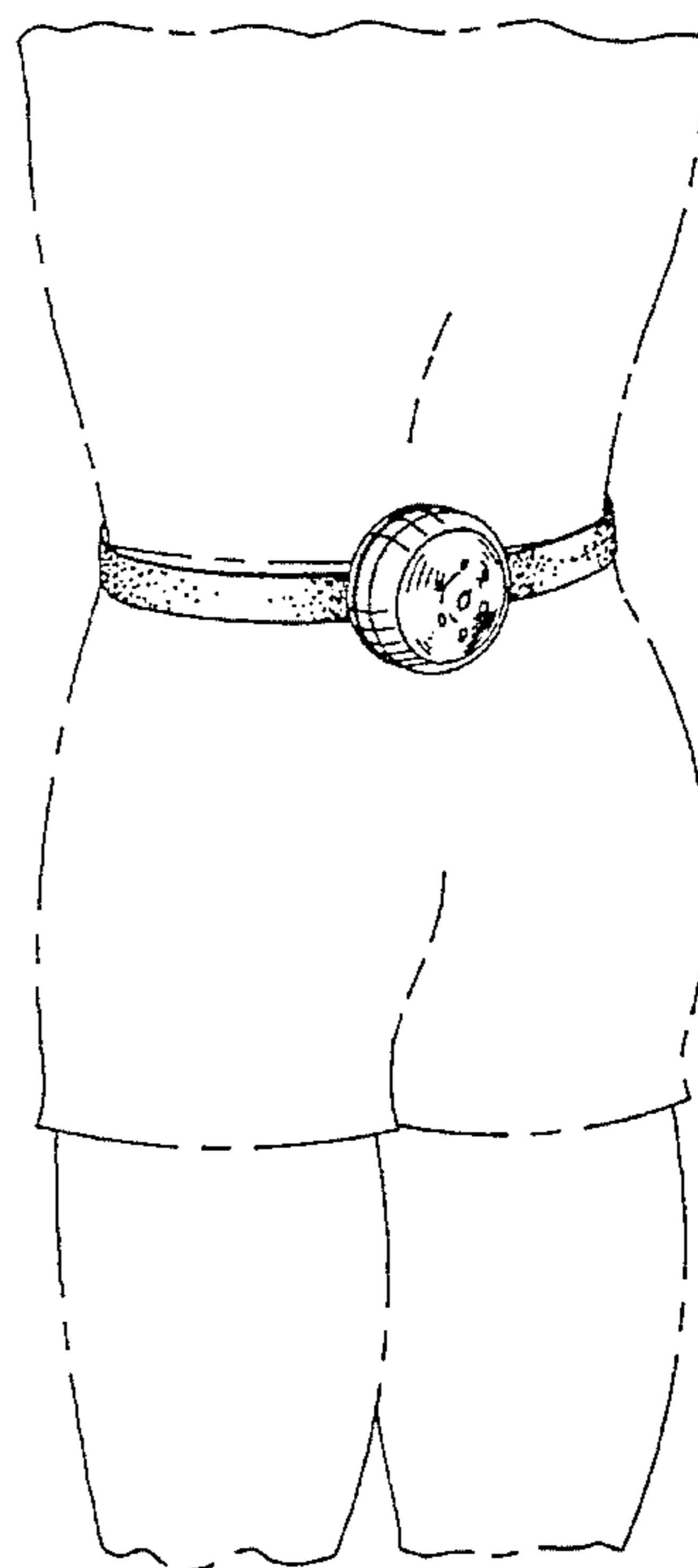


FIG. 8