



US00D362916S

# United States Patent [19]

[11] Patent Number: **Des. 362,916**

**Cetrulo**

[45] Date of Patent: **\*\*Oct. 3, 1995**

## [54] SPLIT TEE SLIP-ON PIPE FITTING

## OTHER PUBLICATIONS

[75] Inventor: **Marc E. Cetrulo**, Ft. Thomas, Ky.

Drawing of 1¼"×1¼" NU-Rail Inside Corner Fitting No. 22 dated Aug 17, 1976.

[73] Assignee: **The Hollaender Manufacturing Co.**, Cincinnati, Ohio

*Primary Examiner*—Doris Clark  
*Attorney, Agent, or Firm*—Wood, Herron & Evans

[\*\*] Term: **14 Years**

## [57] CLAIM

[21] Appl. No.: **20,201**

The ornamental design for a split tee slip-on pipe fitting, as shown and described.

[22] Filed: **Mar. 21, 1994**

## DESCRIPTION

[52] U.S. Cl. .... **D25/66**

[58] Field of Search ..... D25/66-68, 61;  
403/231, 331, 234, 292, 265, 266; 211/186,  
182; 182/127; 256/65

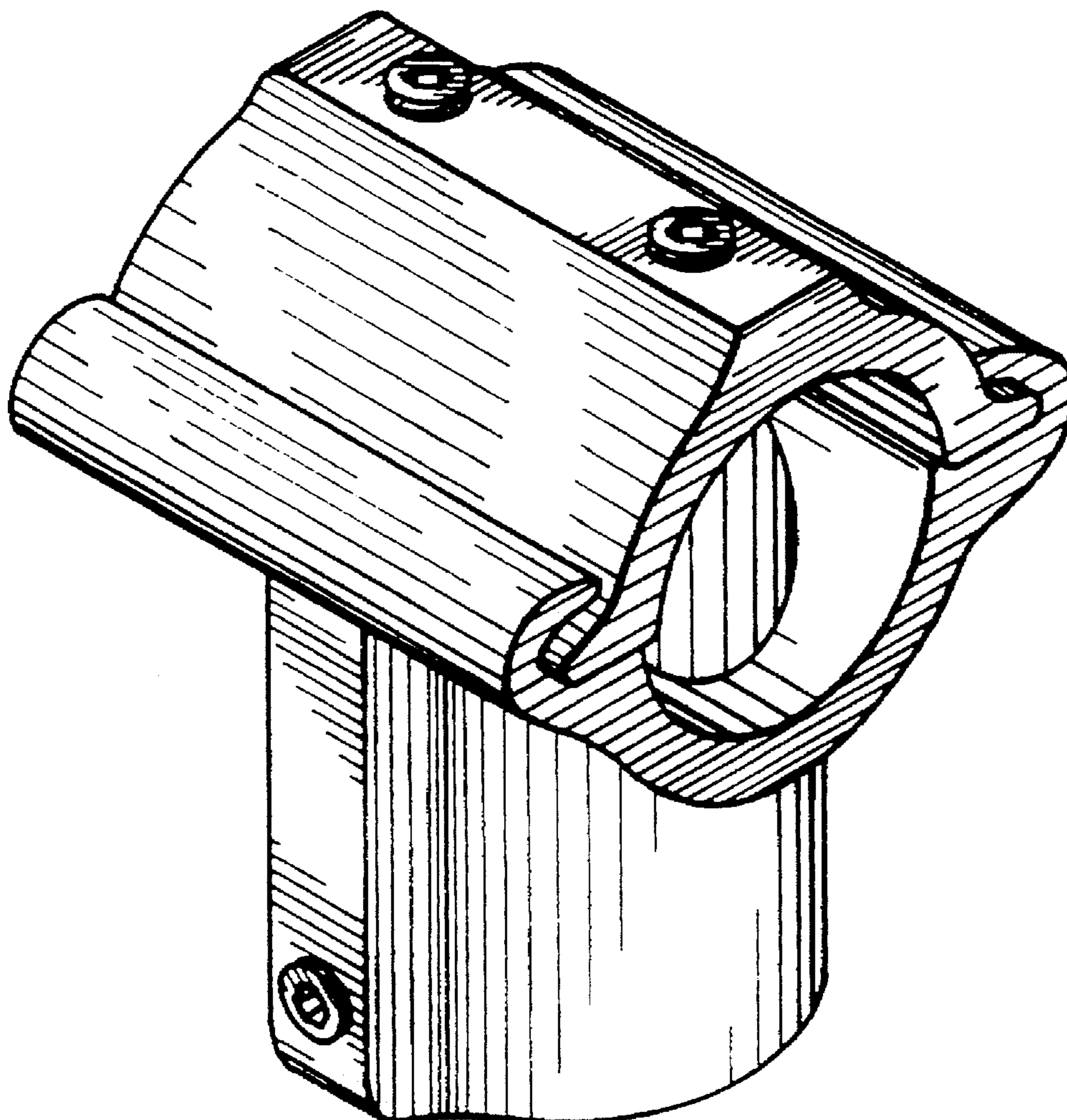
FIG. 1 is a perspective view of my split tee slip-on pipe fitting, depicting the front, left side, and top thereof; FIG. 2 is a front elevational view thereof; FIG. 3 is a top plan view thereof; FIG. 4 is a left side elevational view thereof; FIG. 5 is a right side elevational view thereof; FIG. 6 is a rear elevational view thereof; and, FIG. 7 is a bottom plan view thereof.

## [56] References Cited

### U.S. PATENT DOCUMENTS

D. 250,283	11/1978	Norton	.....	D25/66
1,963,981	6/1934	Garrett	.....	D25/66
3,923,218	12/1975	Niemann	.....	403/265
4,915,535	4/1990	Willets	.....	403/234

**1 Claim, 1 Drawing Sheet**



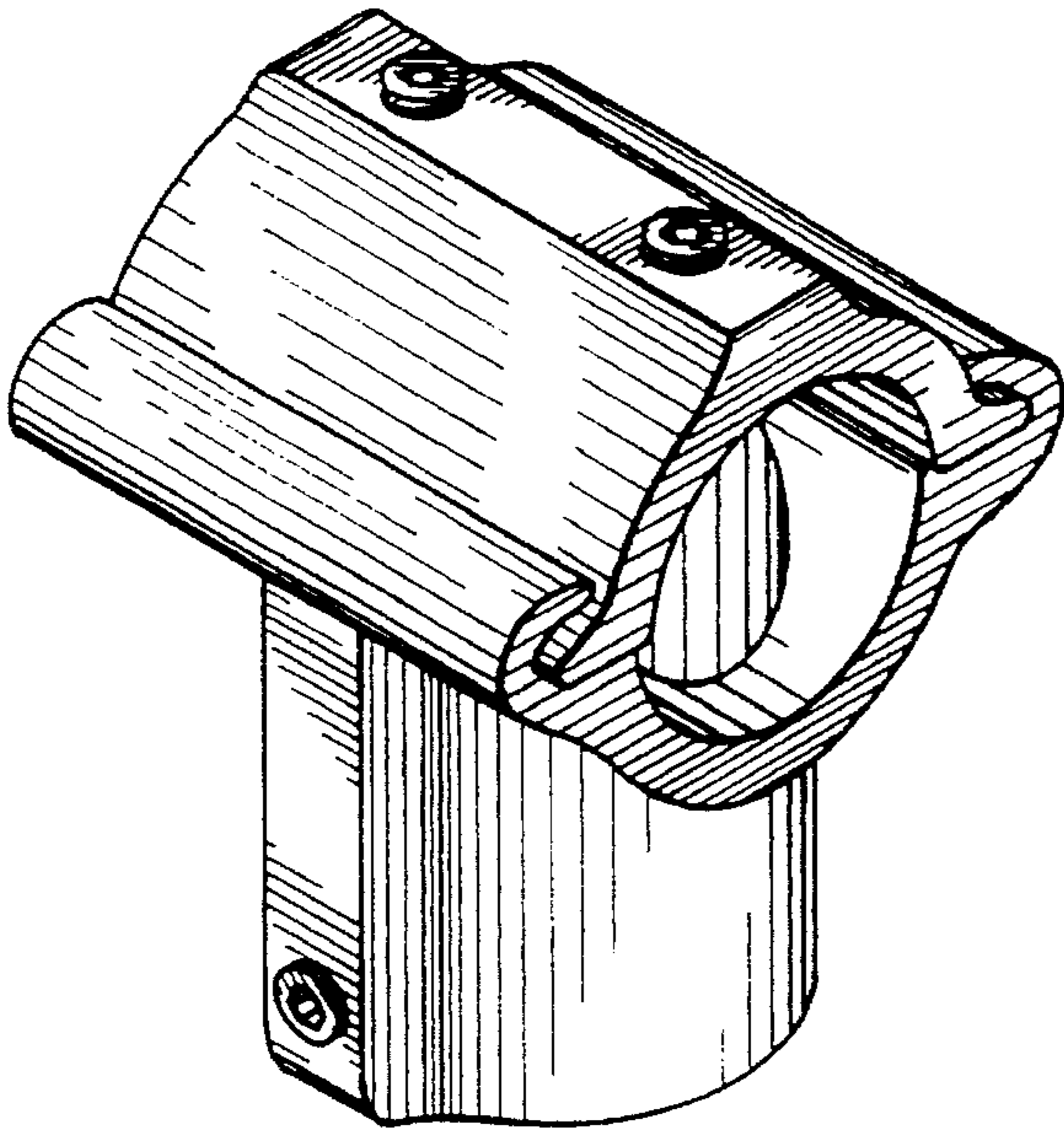


FIG. 1

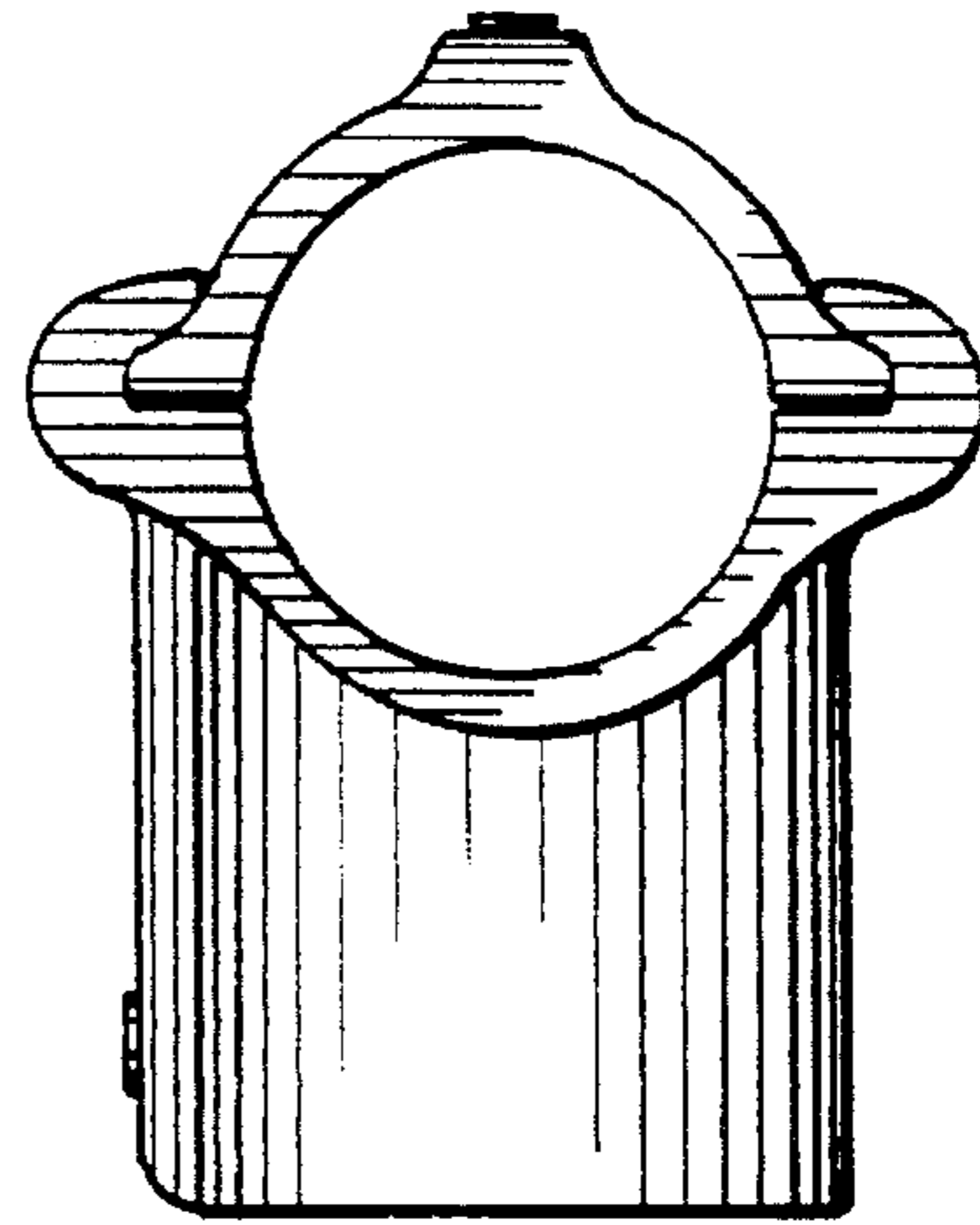


FIG. 2

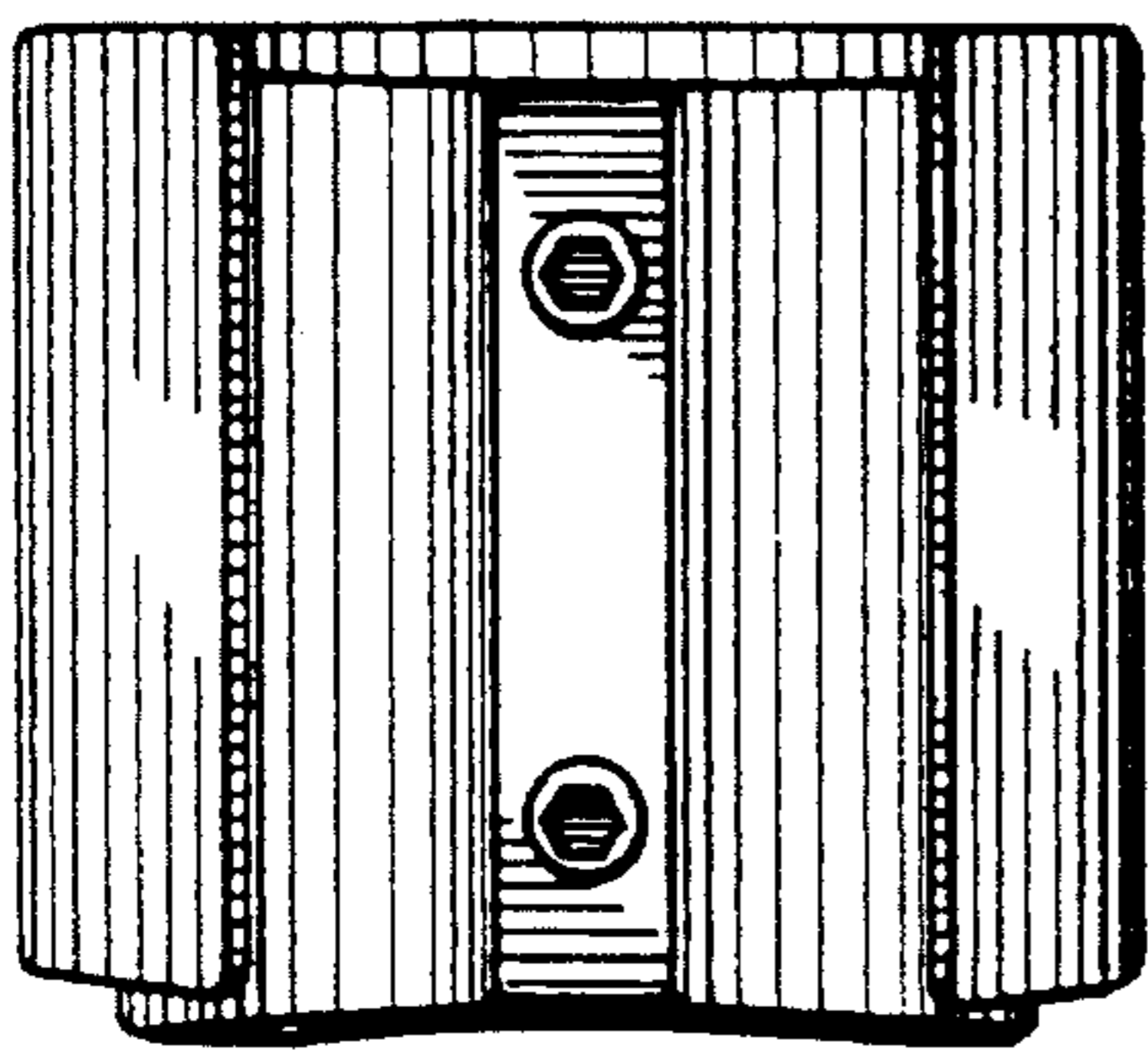


FIG. 3

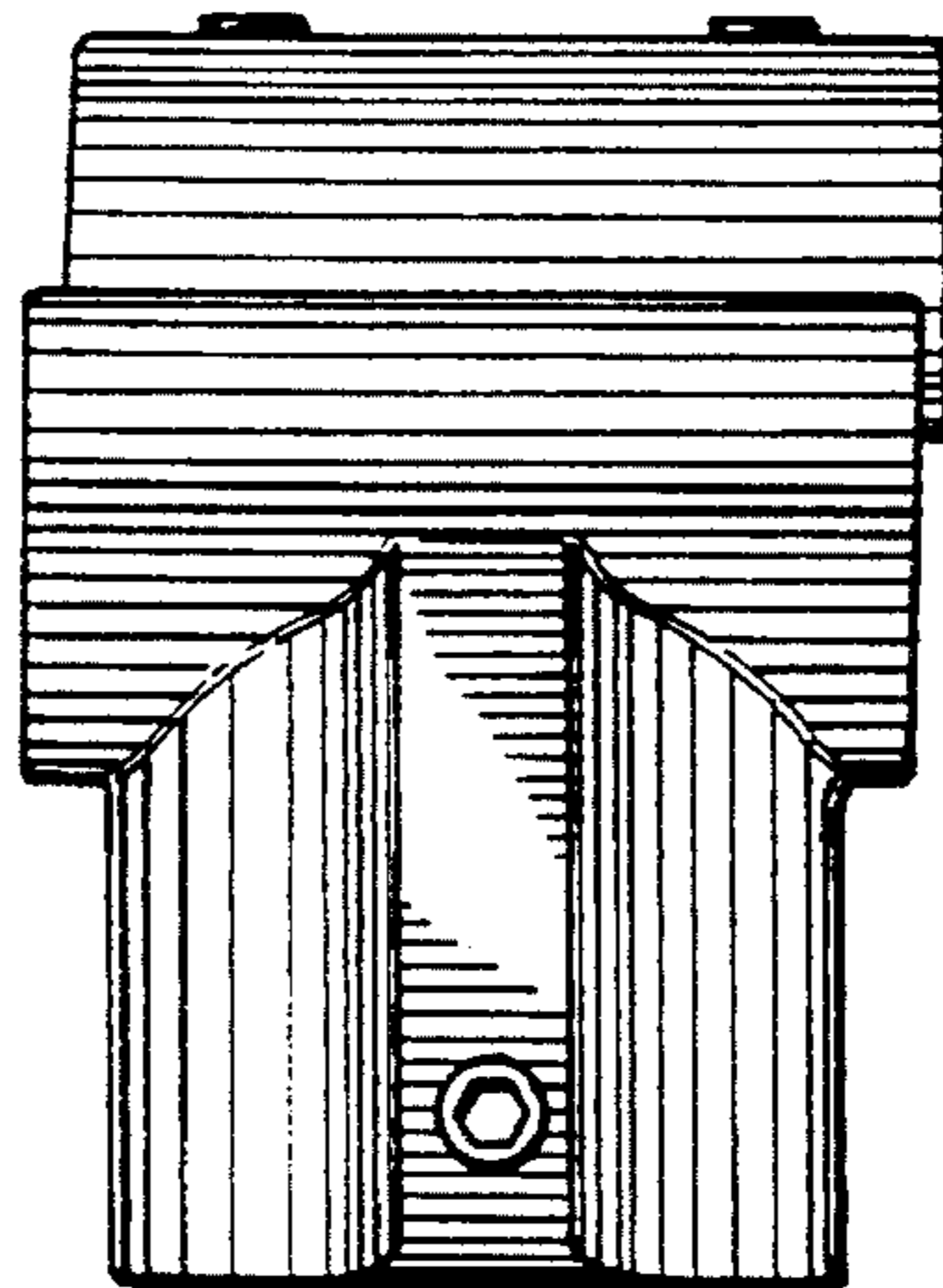


FIG. 4

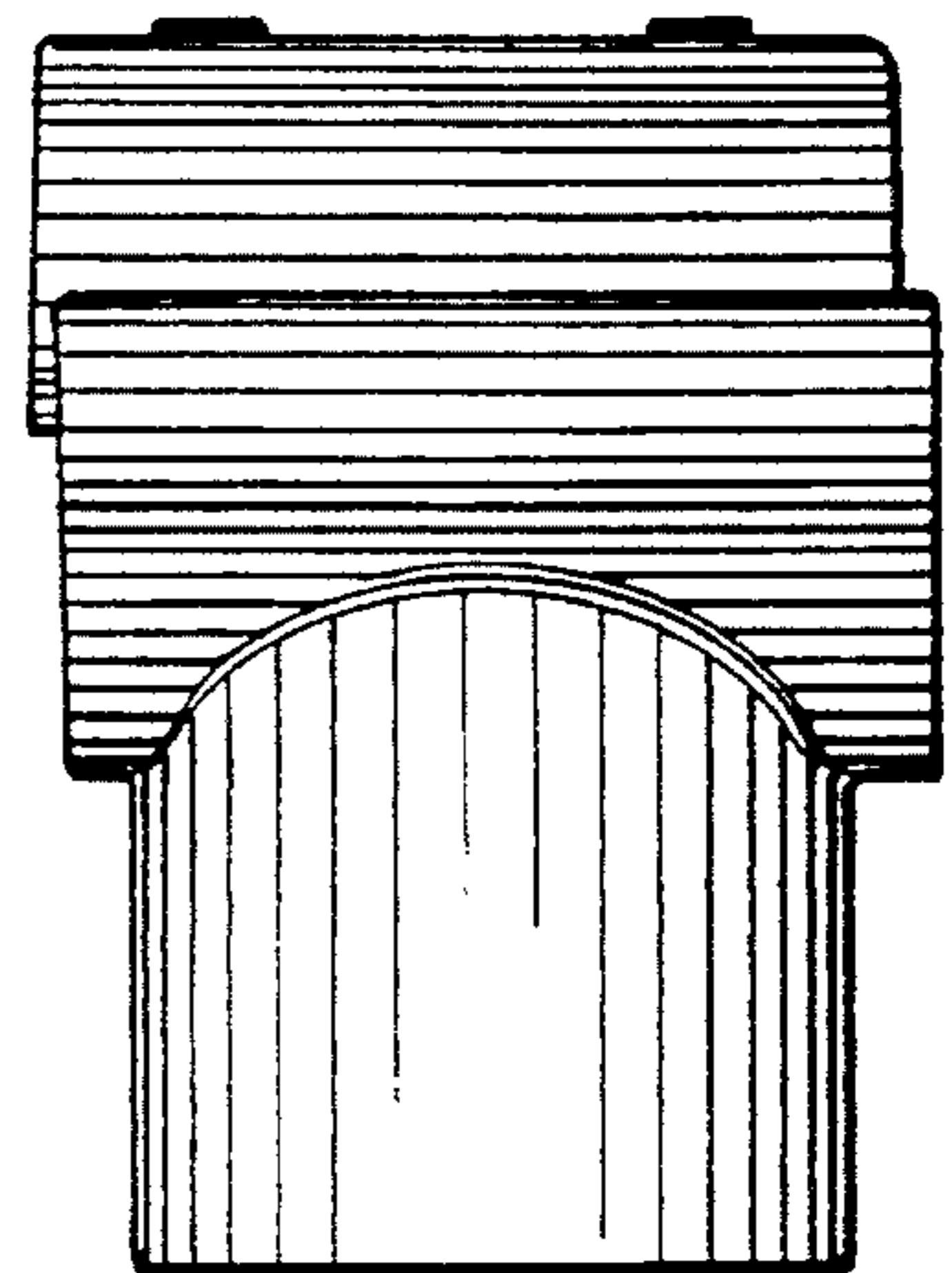


FIG. 5

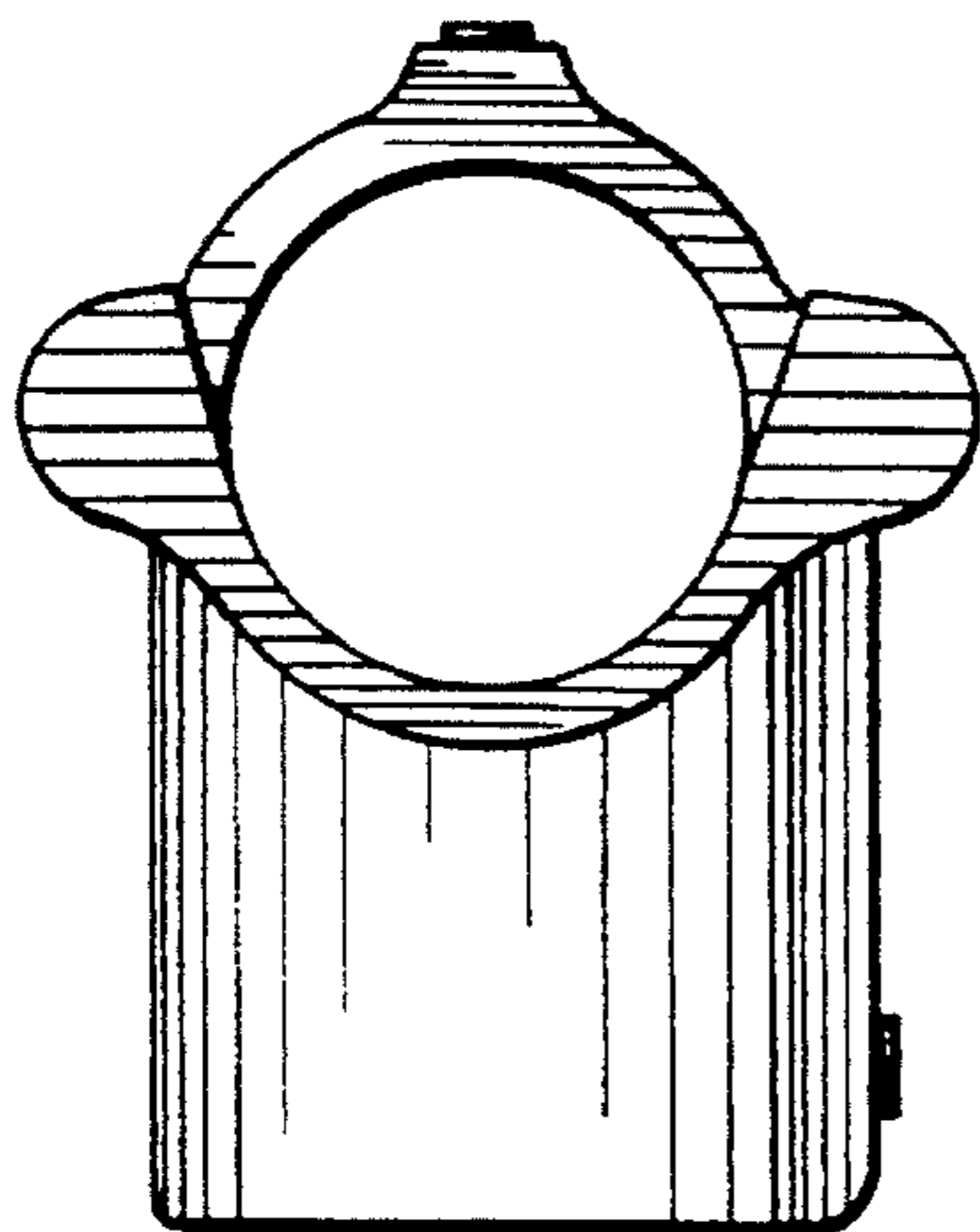


FIG. 6

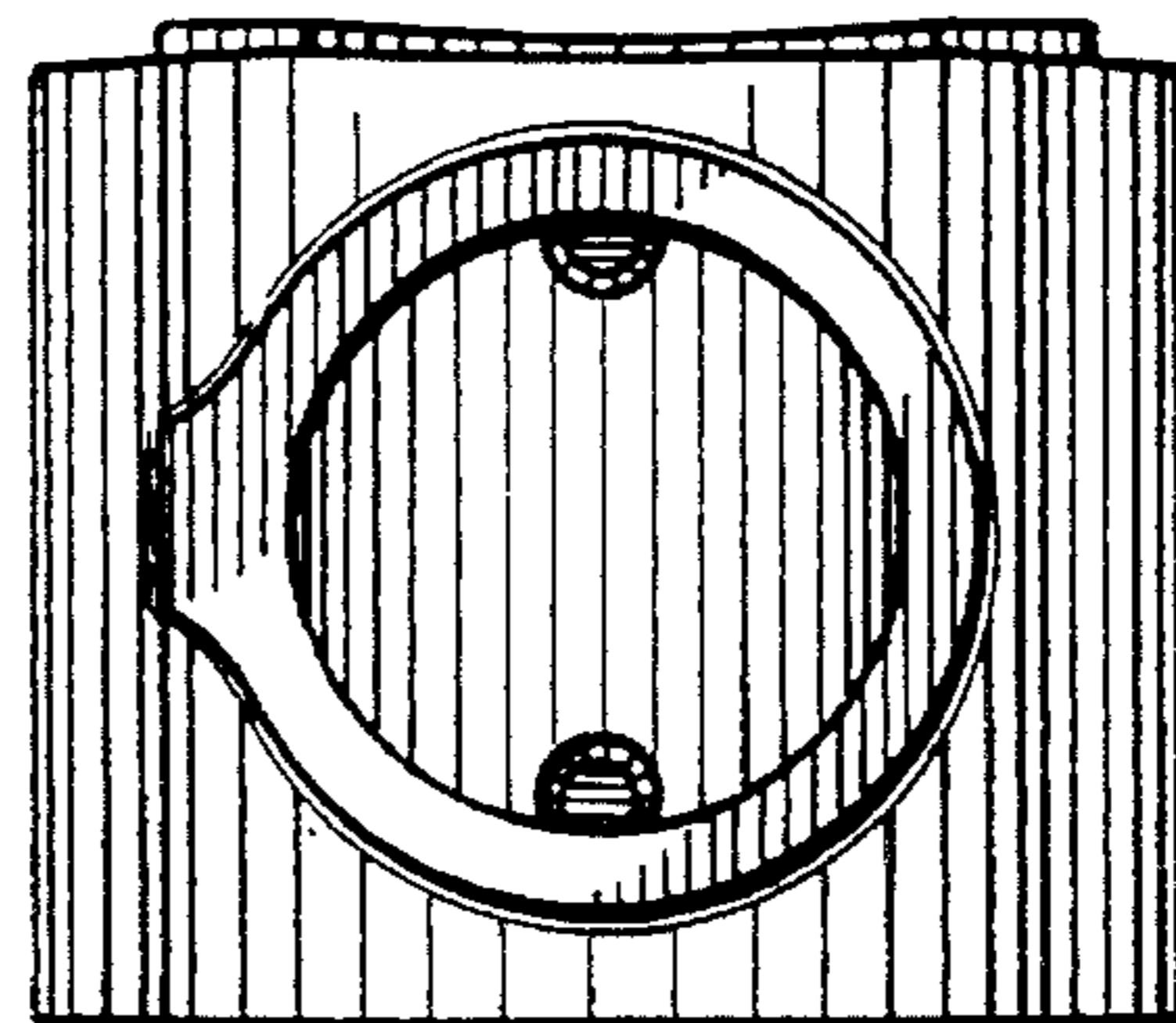


FIG. 7