



US00D362910S

# United States Patent [19] Creaghan

[11] Patent Number: **Des. 362,910**  
[45] Date of Patent: **\*\*Oct. 3, 1995**

[54] **INSTRUMENT FOR VIEWING  
SUBCUTANEOUS VENOUS STRUCTURES**

[76] Inventor: **Frank C. Creaghan, Jr.**, 204 Louie Dr., Lafayette, La. 70503

[\*\*] Term: **14 Years**

[21] Appl. No.: **21,722**

[22] Filed: **Apr. 21, 1994**

[52] U.S. Cl. .... **D24/186**

[58] Field of Search ..... D24/186, 200;  
128/3, 664; 600/11; 607/1

[56] **References Cited**

**U.S. PATENT DOCUMENTS**

Re. 33,234	6/1990	Landry .....	128/23
2,161,688	6/1939	Schwartz .....	128/23
3,527,932	9/1970	Thomas .....	128/23
4,112,923	9/1978	Tomecek .....	600/11
4,312,357	1/1982	Andersson et al. ....	128/664

4,619,249 10/1986 Landry ..... 128/23

*Primary Examiner*—Stella Reid

*Attorney, Agent, or Firm*—Pravel, Hewitt, Kimball & Krieger

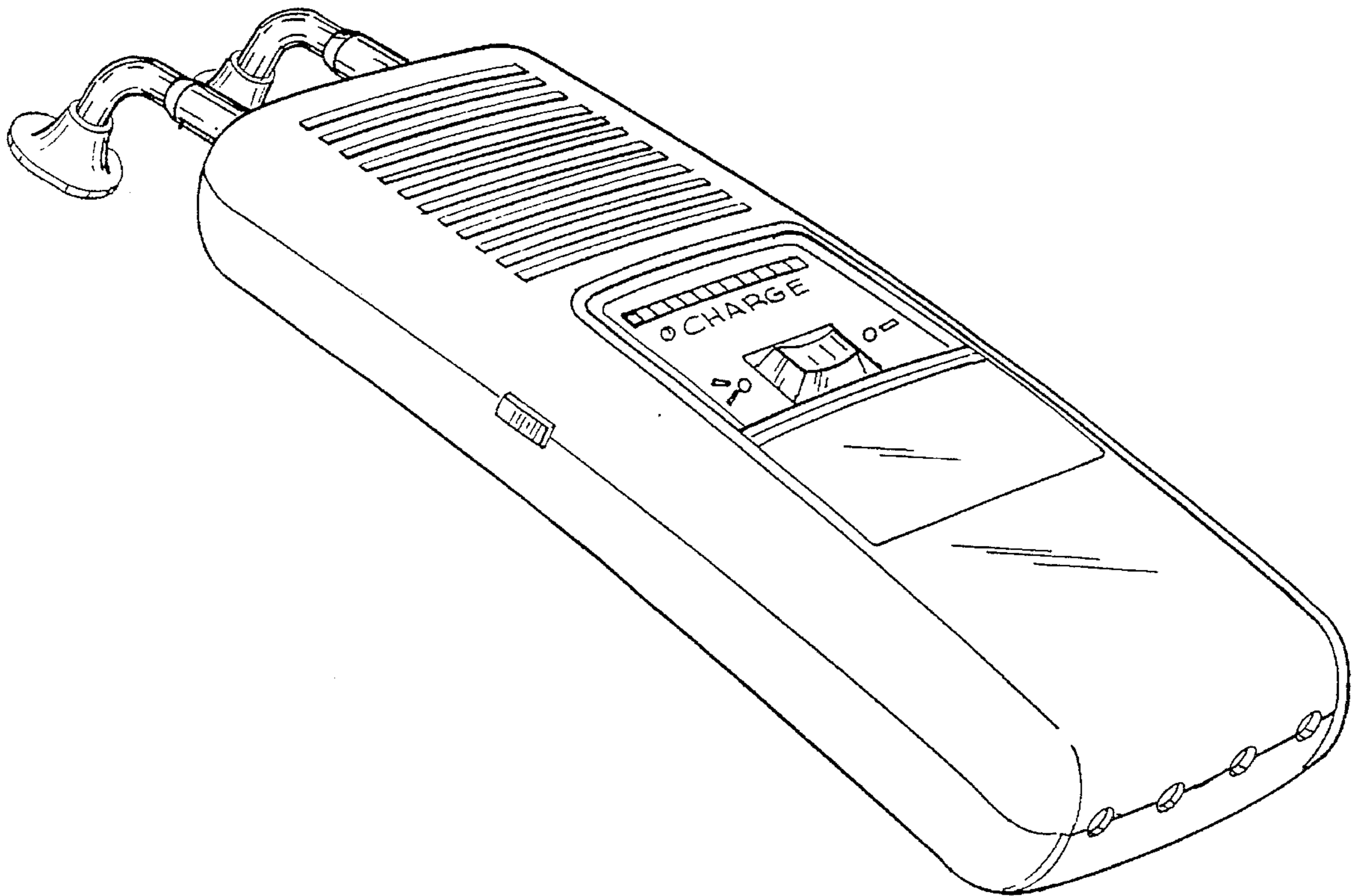
[57] **CLAIM**

The ornamental design for an instrument for viewing subcutaneous venous structures, as shown and described.

**DESCRIPTION**

FIG. 1 is a perspective view of an instrument for viewing subcutaneous venous structures, showing my new design; FIG. 2 is a top view thereof; FIG. 3 is a left side view thereof; FIG. 4 is a bottom view thereof; FIG. 5 is a right side view thereof; FIG. 6 is a front view thereof; and, FIG. 7 is a rear view thereof.

**1 Claim, 2 Drawing Sheets**



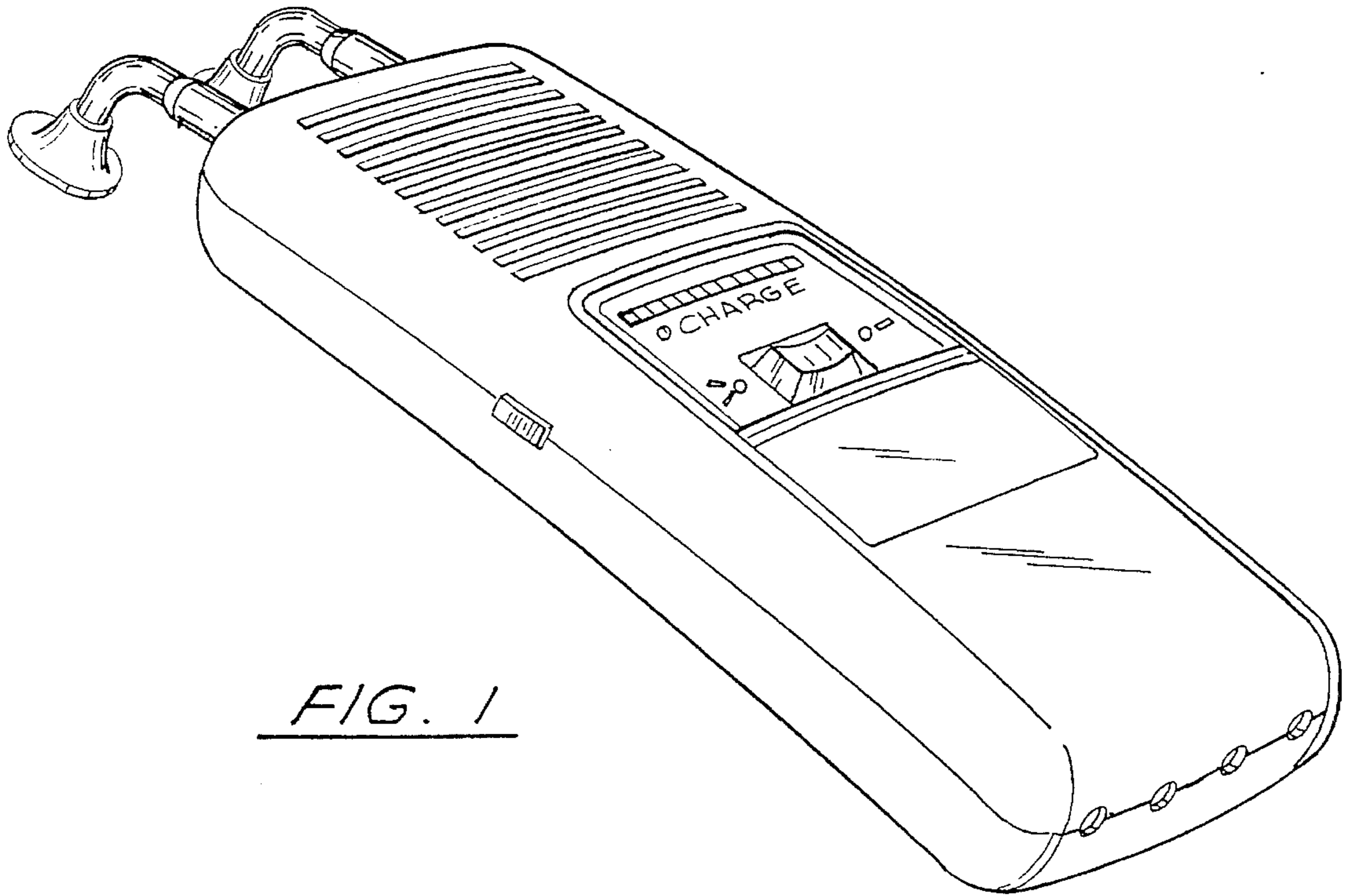


FIG. 1

FIG. 2

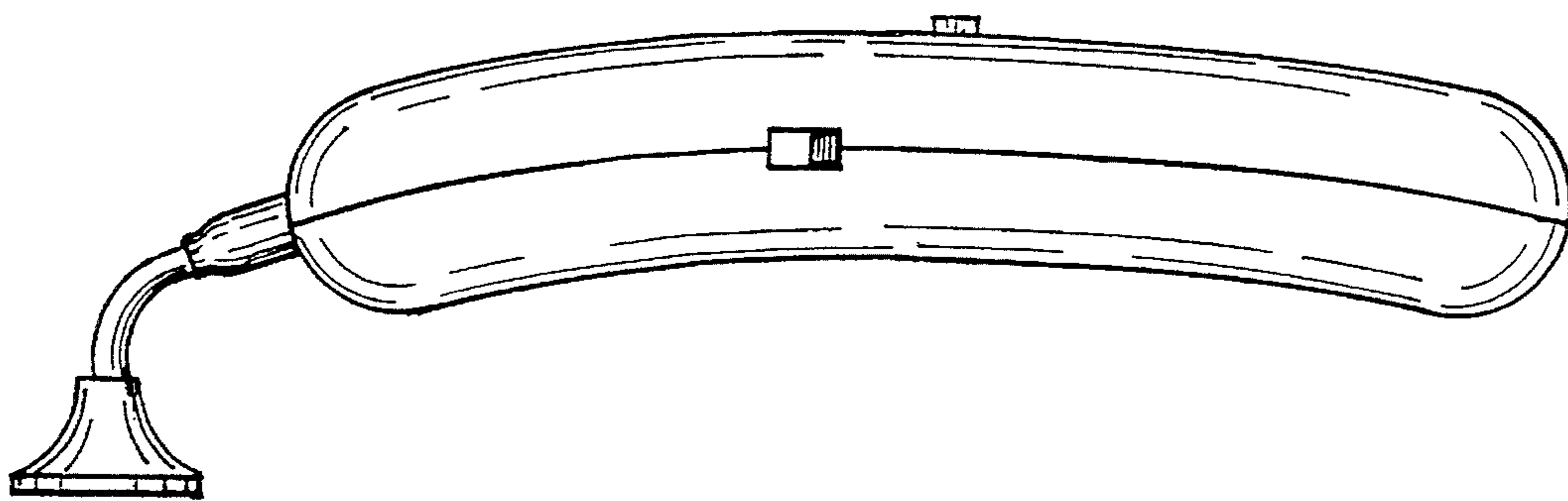
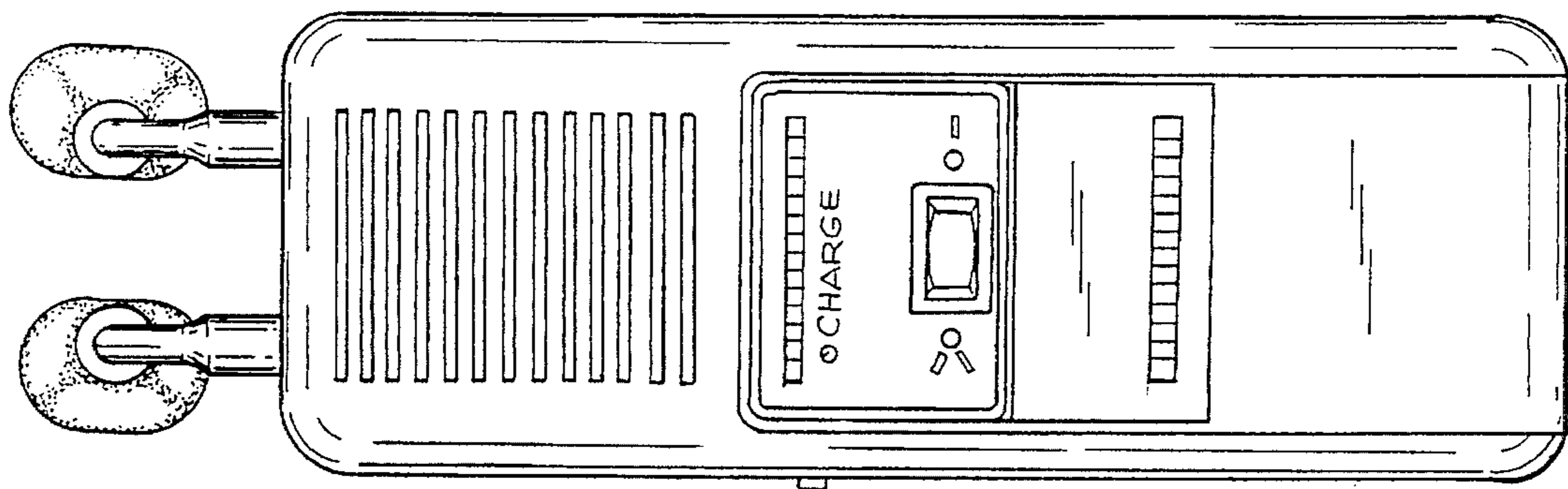


FIG. 3

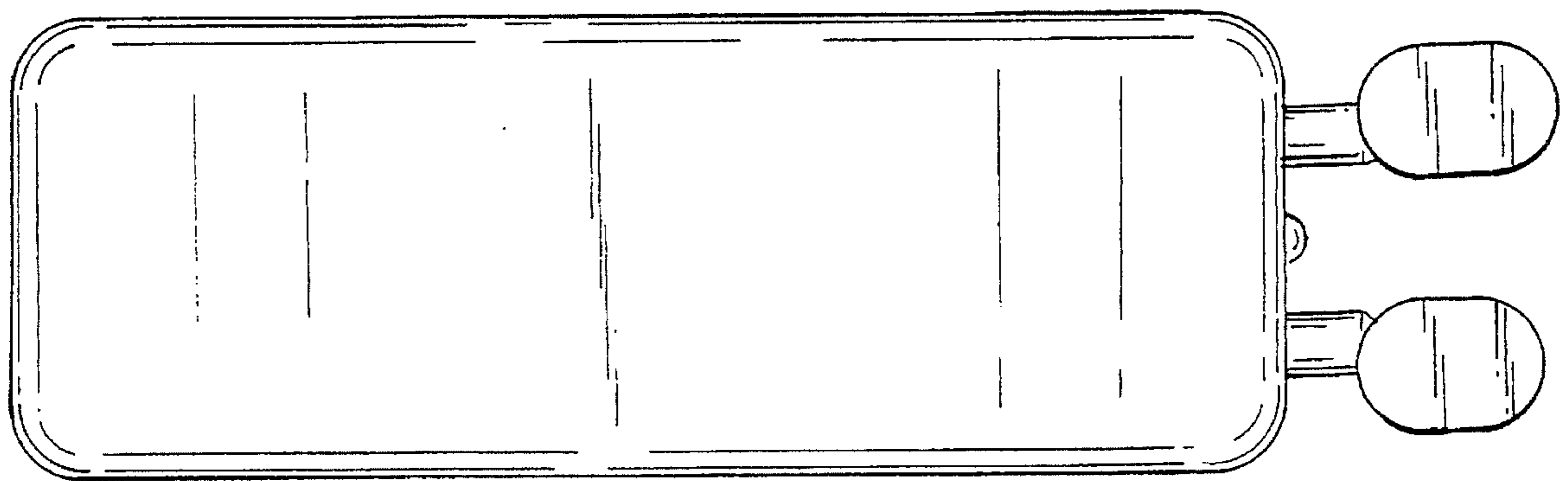


FIG. 4

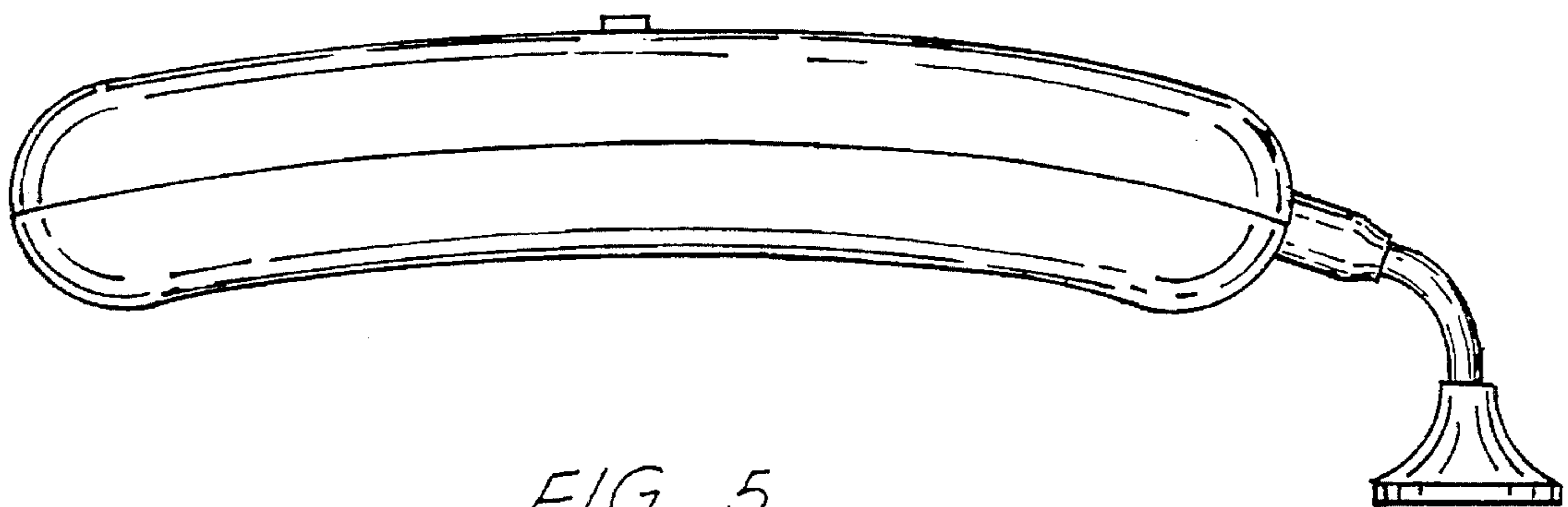


FIG. 5

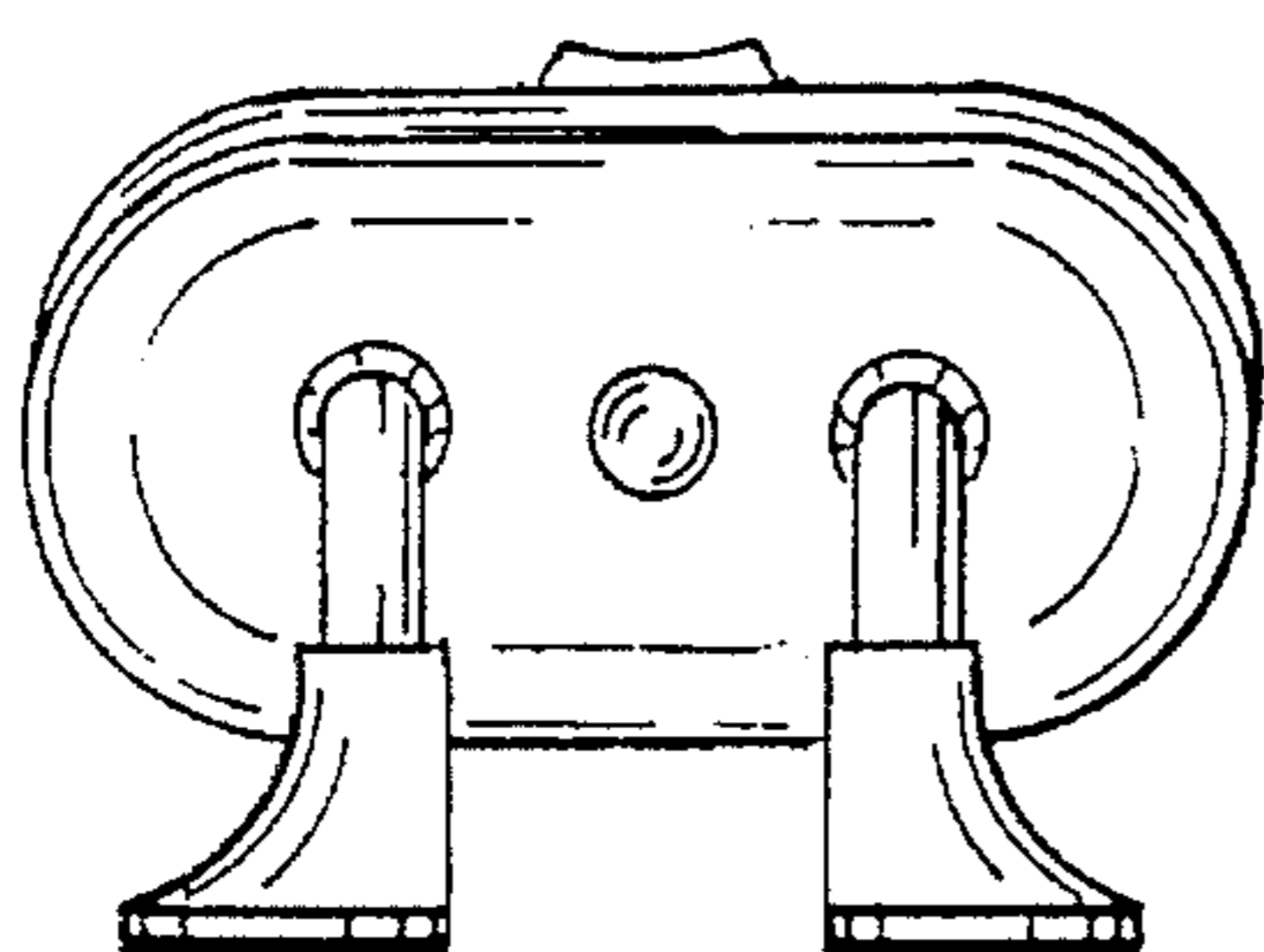


FIG. 6

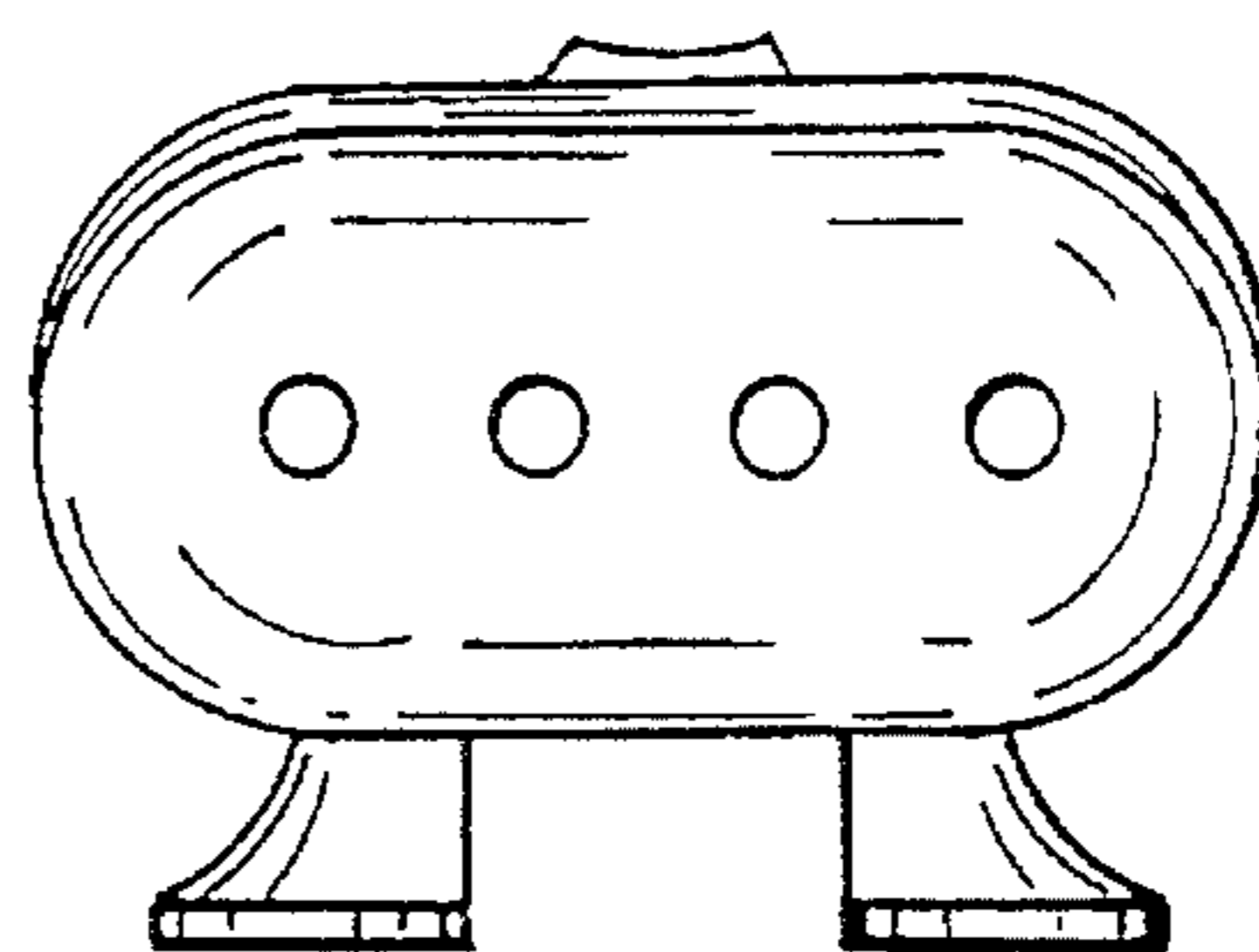


FIG. 7