



US00D362907S

United States Patent [19]

[11] Patent Number: **Des. 362,907**

DiPasquale

[45] Date of Patent: ****Oct. 3, 1995**

[54] **COMBINED MOUNTING CANOPY, MOTOR AND SWITCH HOUSING AND BLADE IRONS UNIT FOR A CEILING FAN**

D. 345,206	3/1994	DiPasquale	D23/411
D. 346,651	5/1994	DiPasquale	D23/385
D. 346,859	5/1994	DiPasquale	D23/411
D. 347,685	6/1994	DiPasquale	D23/377
D. 352,997	11/1994	DiPasquale	D23/379

[75] Inventor: **Charles J. DiPasquale**, Carrollton, Tex.

Primary Examiner—Lisa P. Lichtenstein
Attorney, Agent, or Firm—Dennis T. Griggs

[73] Assignee: **Smartel, Inc.**, Carrollton, Tex.

[**] Term: **14 Years**

[57] CLAIM

[21] Appl. No.: **35,204**

The ornamental design for a combined mounting canopy, motor and switch housing and blade irons unit for a ceiling fan, as shown and described.

[22] Filed: **Feb. 22, 1995**

[52] U.S. Cl. **D23/411; D23/377; D23/379; D23/385**

DESCRIPTION

[58] **Field of Search** D23/411, 377, D23/379, 385; D26/80-86, 72, 59, 88, 51; 416/5; 362/96; 392/364

FIG. 1 is a perspective view of a combined mounting canopy, motor and switch housing and blade irons unit for a ceiling fan showing my new design, the broken lines showing fan blades being for illustrative purposes only and forming no part of the claimed design;

[56] References Cited

U.S. PATENT DOCUMENTS

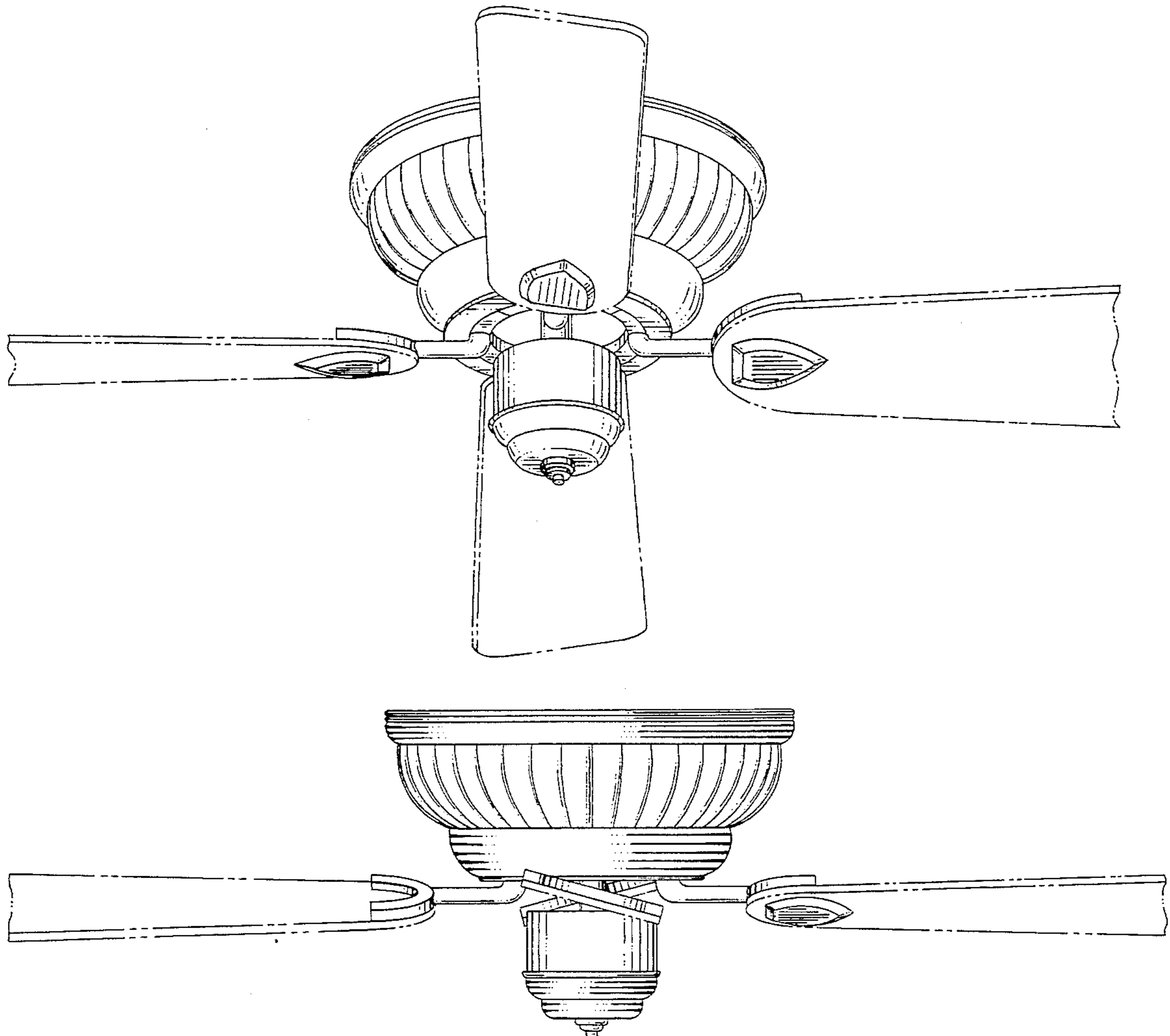
FIG. 2 is a side elevational view thereof, the opposite and adjacent sides being mirror images of that shown;

D. 312,305	11/1990	Weatherford	D23/377
D. 312,689	12/1990	Weatherford	D23/377
D. 339,191	9/1993	Vieyra	D23/377
D. 345,205	3/1994	DiPasquale	D23/411

FIG. 3 is a top plan view thereof; and,

FIG. 4 is a bottom plan view thereof.

1 Claim, 3 Drawing Sheets



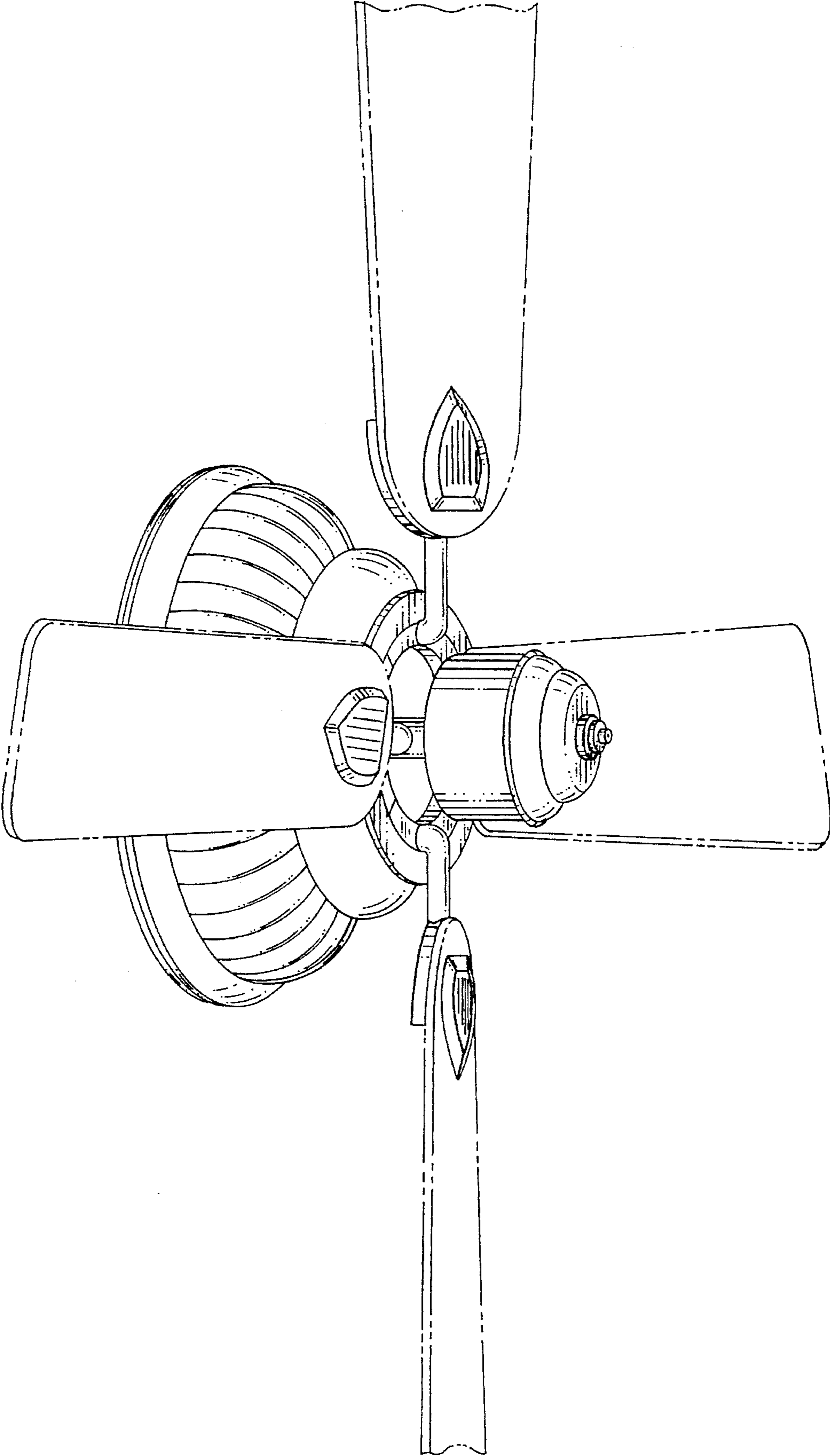


FIG. 1

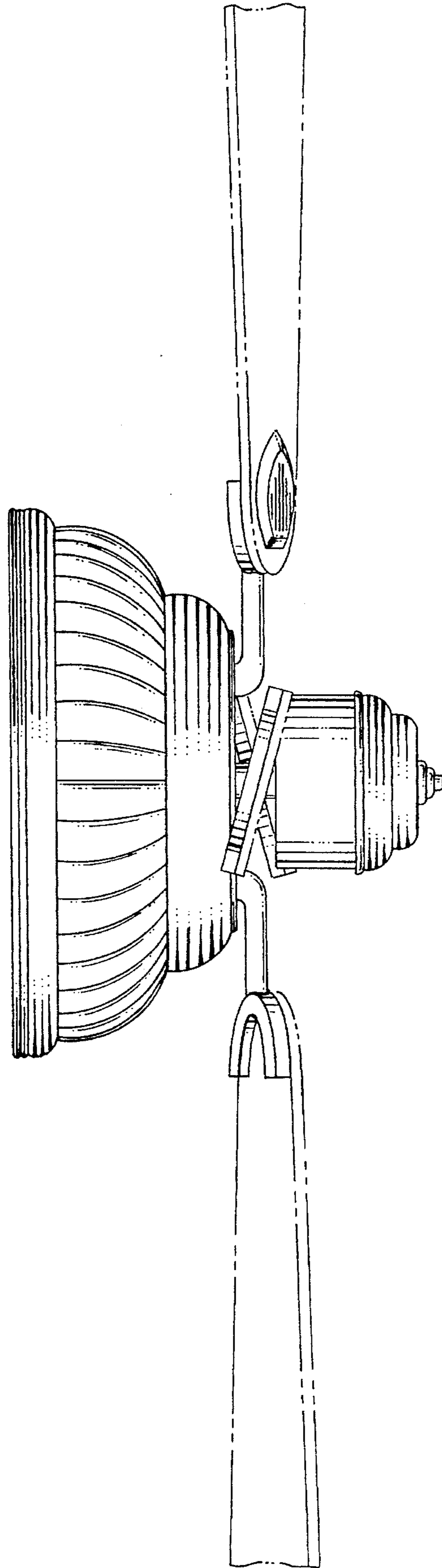


FIG. 2

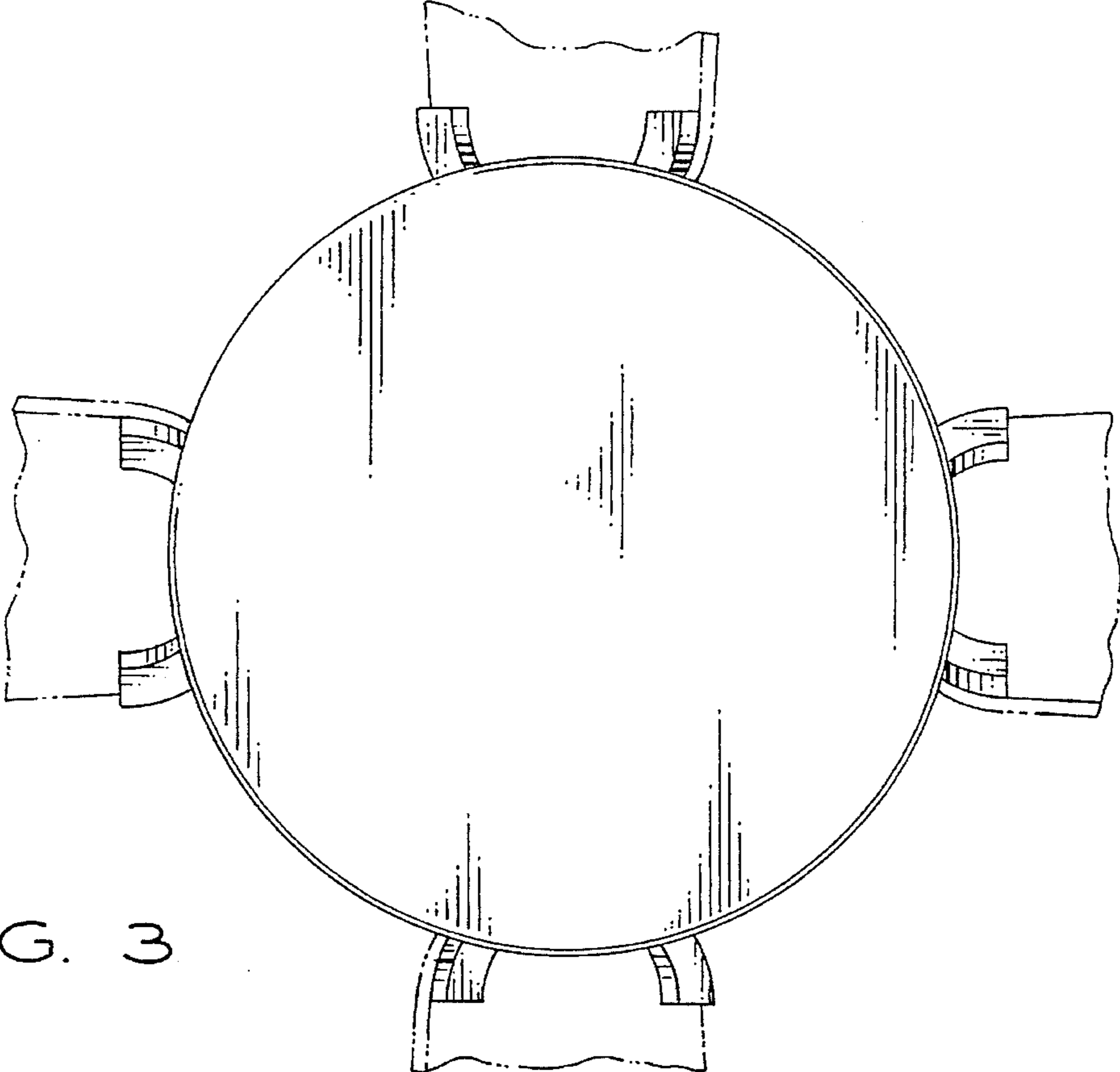


FIG. 3

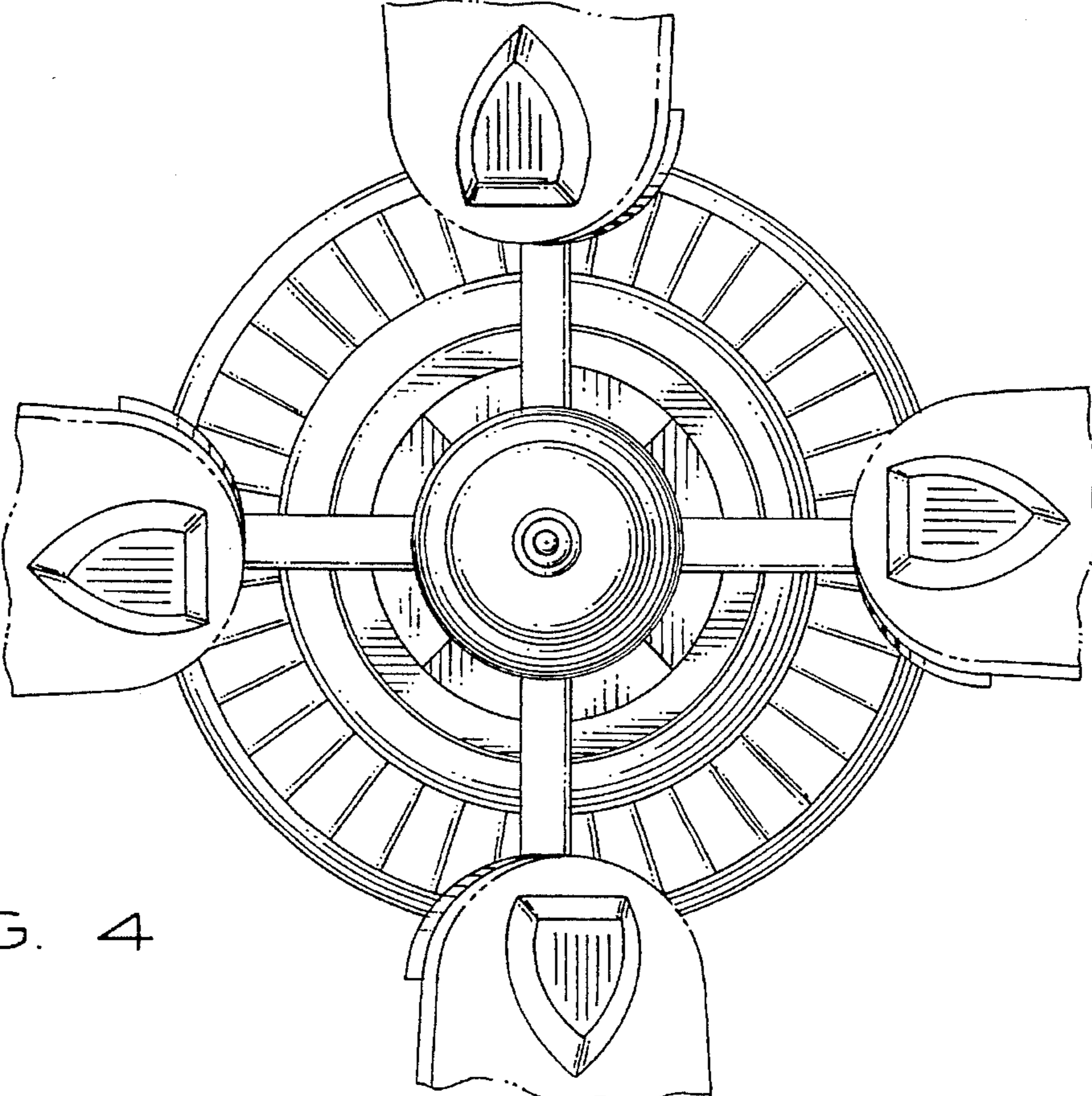


FIG. 4