



US00D362906S

United States Patent [19]

[11] **Patent Number:** **Des. 362,906**

Chiu et al.

[45] **Date of Patent:** ****Oct. 3, 1995**

[54] **EVAPORATIVE HUMIDIFIER**

D. 298,351 11/1988 Ihlenfeld et al. D23/356
D. 330,074 10/1992 Wang et al. D23/356

[75] Inventors: **Bernard Chiu**, Wellesley, Mass.;
Jui-Shang Wang, Taipei, Taiwan
Stanley Gresens, Homewood, Ill.

Primary Examiner—Lisa P. Lichtenstein
Attorney, Agent, or Firm—John E. Toupal; Harold G. Jarcho

[73] Assignee: **Duracraft Corporation**, Whitinsville, Mass.

[57] **CLAIM**

The ornamental design for an evaporative humidifier, as shown and described.

[**] Term: **14 Years**

DESCRIPTION

[21] Appl. No.: **31,383**

FIG. 1 is a front, right side and top perspective view of an evaporative humidifier;

[22] Filed: **Nov. 25, 1994**

FIG. 2 is a front elevational view thereof;

[52] U.S. Cl. **D23/356; D23/358**

FIG. 3 is a rear elevational view thereof;

[58] Field of Search **D23/356-363;**

392/403-406, 394; 261/DIG. 3, DIG. 4, DIG. 41; 62/304; 422/120, 123

FIG. 4 is a top plan view thereof;

FIG. 5 is a bottom plan view thereof; and,

FIG. 6 is a left side elevational view.

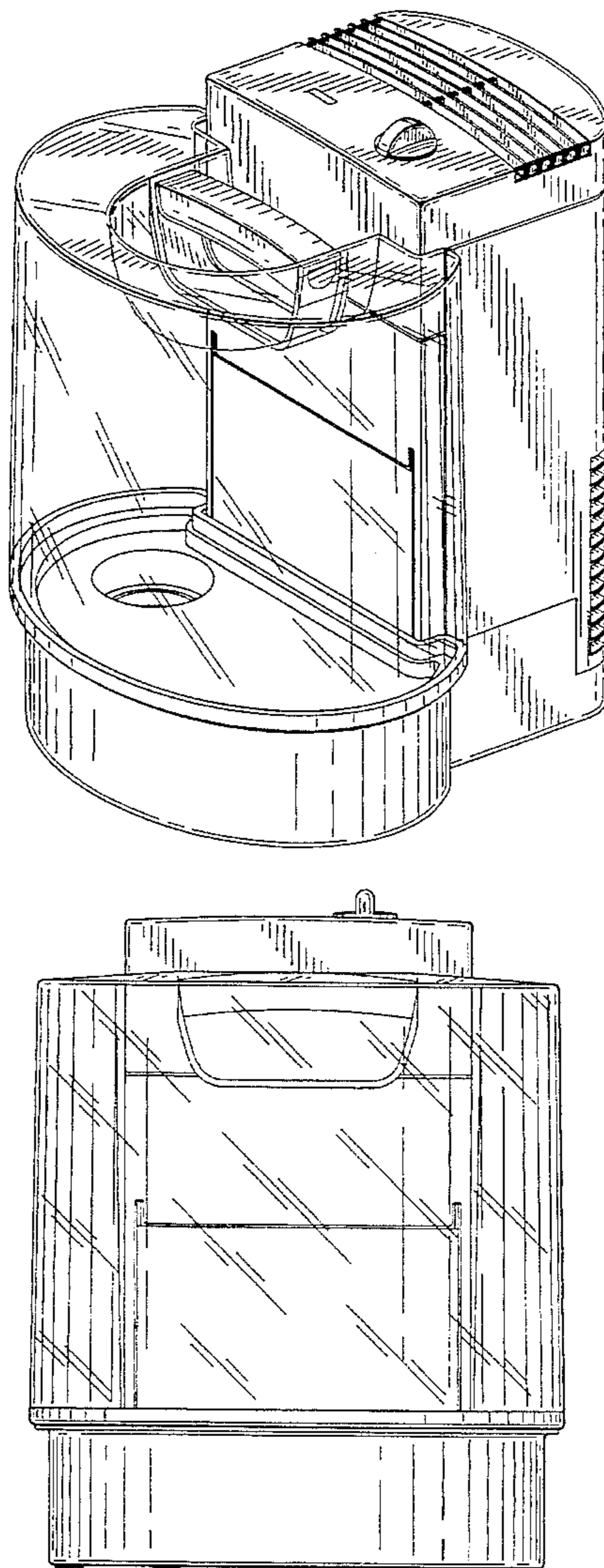
The right side elevation is a mirror image of the left side elevation.

[56] **References Cited**

U.S. PATENT DOCUMENTS

D. 288,597 3/1987 Young, Sr. D23/356

1 Claim, 5 Drawing Sheets



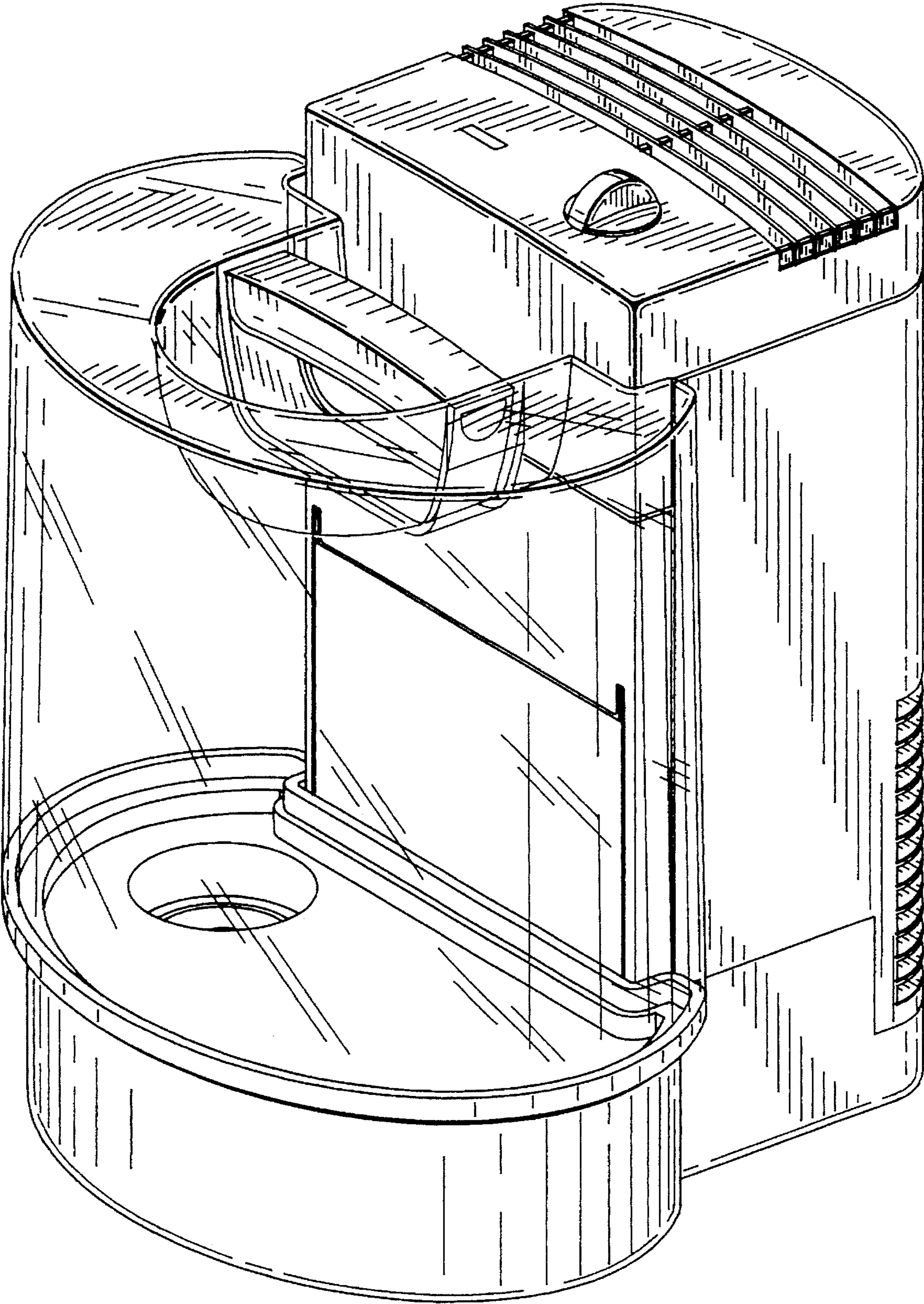


FIG. 1

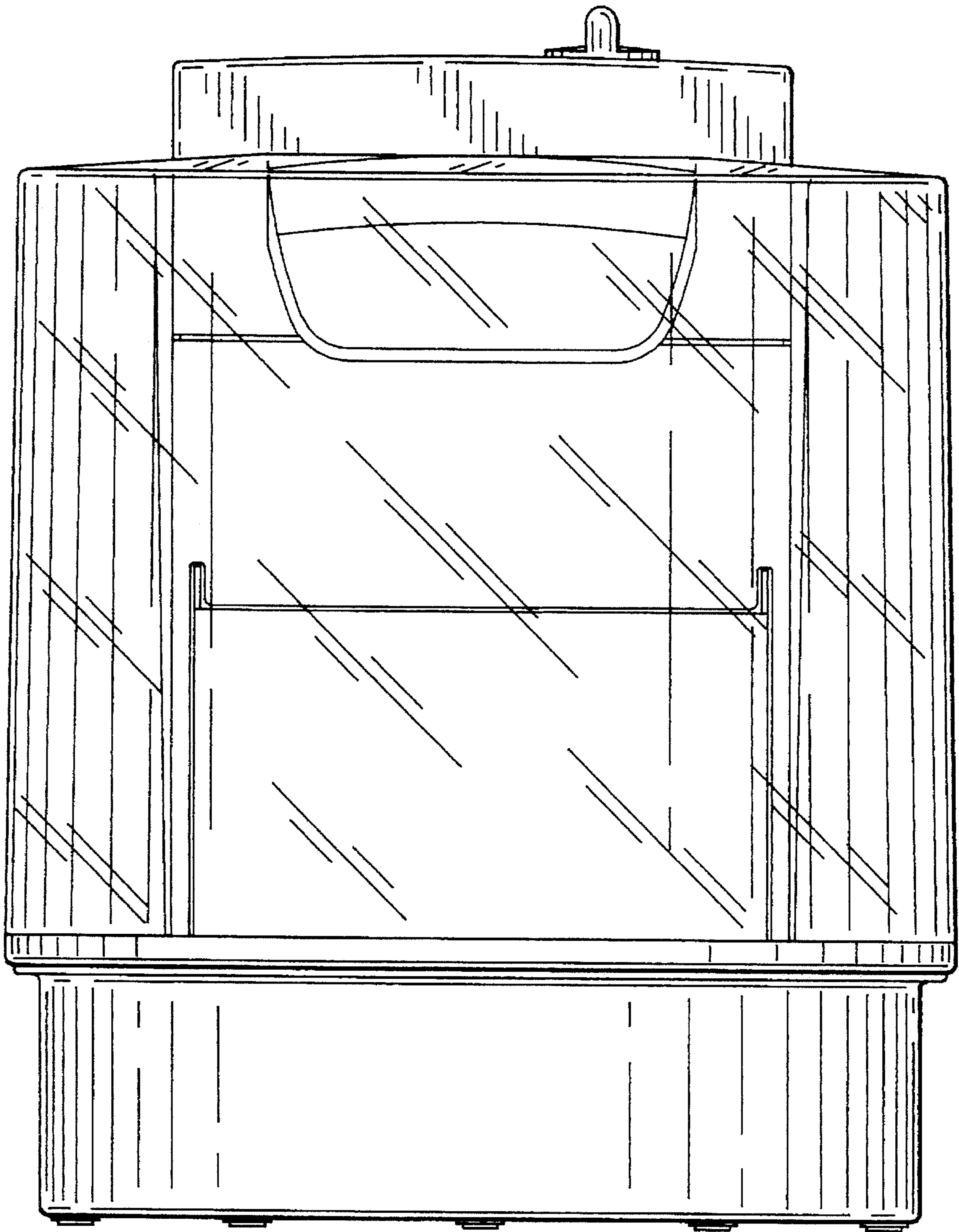


FIG. 2

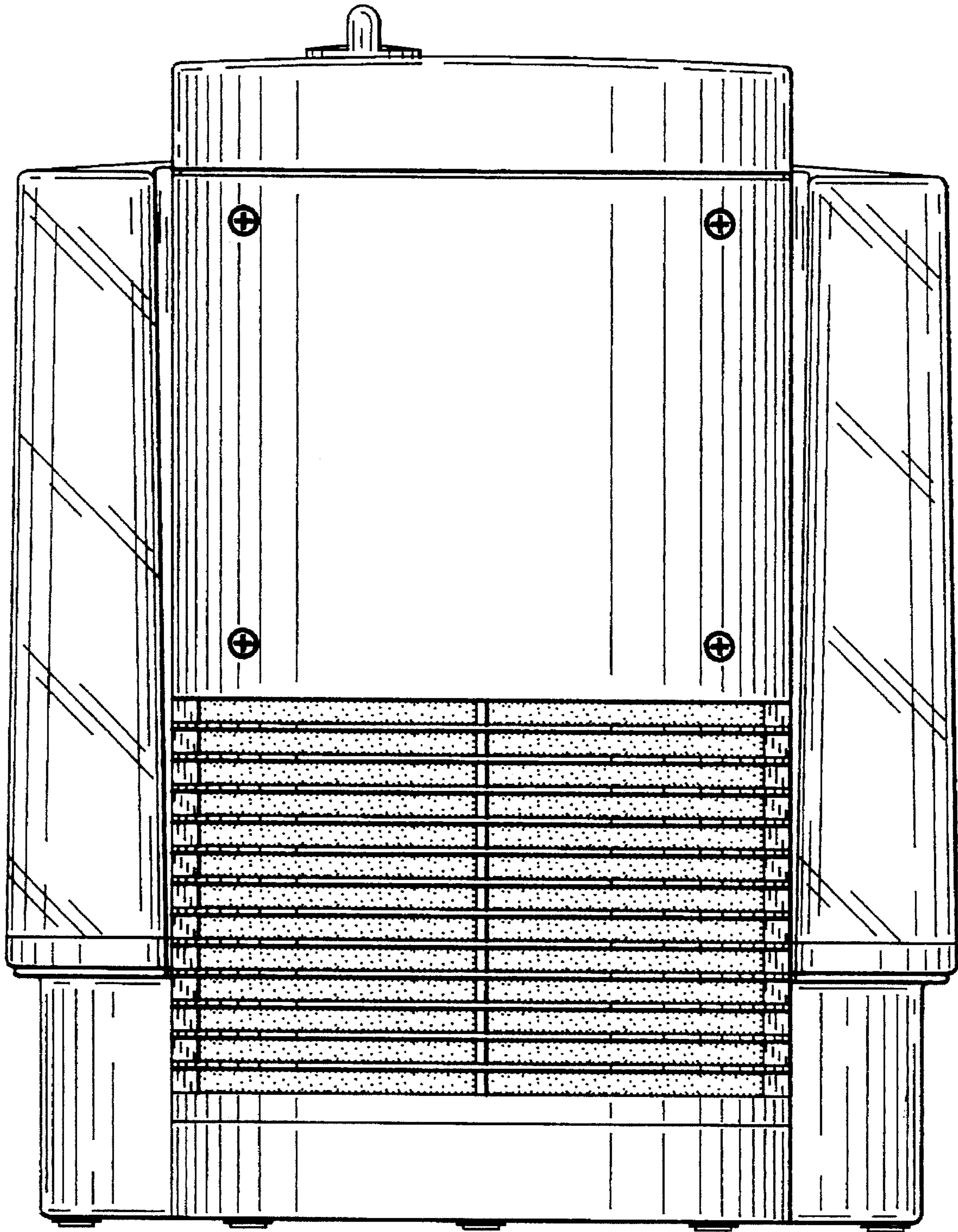
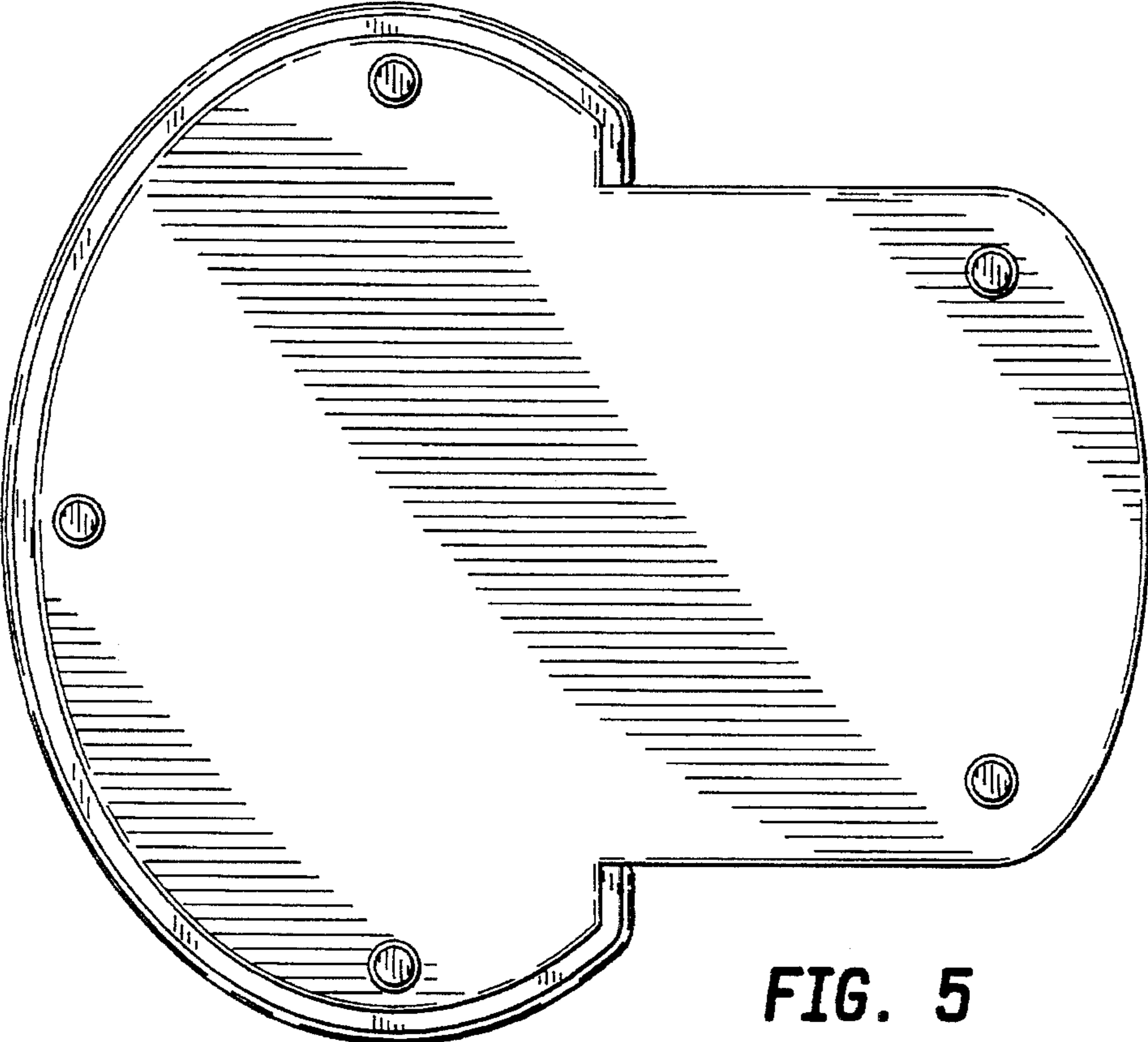
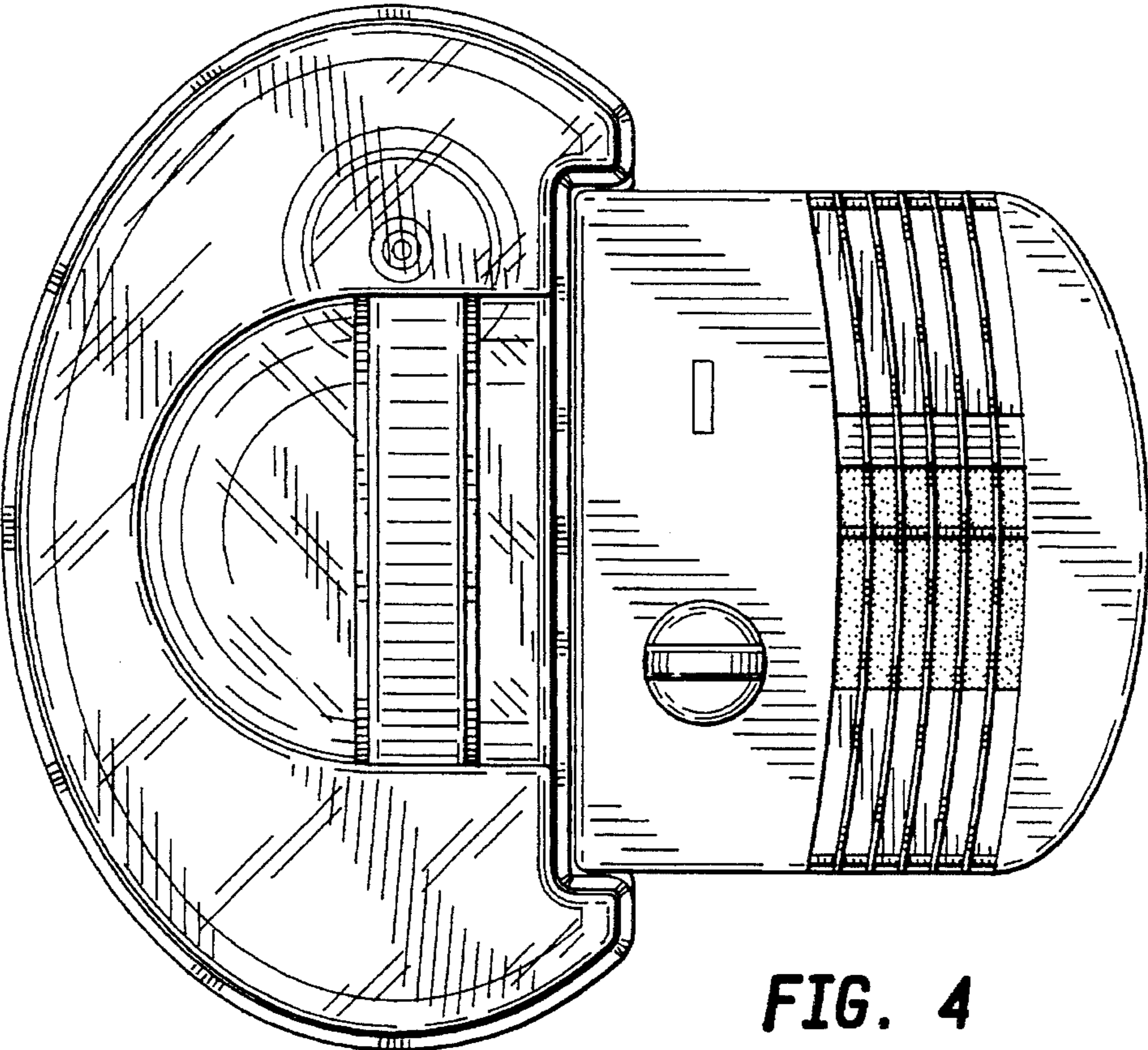


FIG. 3



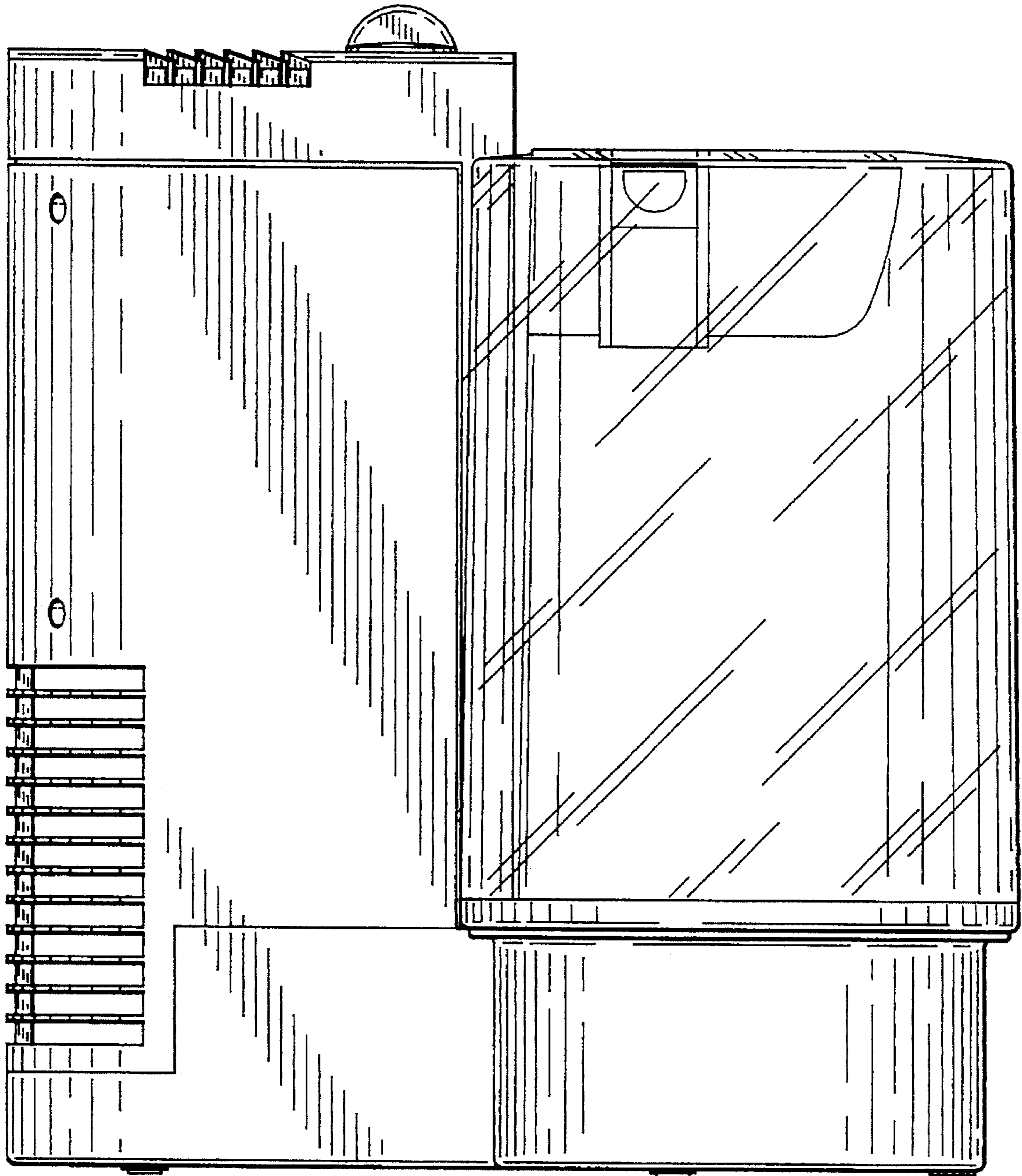


FIG. 6