



US00D362905S

# United States Patent [19]

[11] Patent Number: **Des. 362,905**

Wulf et al.

[45] Date of Patent: **\*\*Oct. 3, 1995**

[54] **EVAPORATIVE COOLER HOUSING**

D. 284,505 7/1986 Bowman et al. .... D23/351

[75] Inventors: **Fred Wulf; Philip Calvert**, both of Center, Tex.

*Primary Examiner*—Lisa P. Lichtenstein  
*Attorney, Agent, or Firm*—Gregory M. Howison

[73] Assignee: **General Shelters of Texas, S.B., Inc.**, Center, Tex.

[57] **CLAIM**

[\*\*] Term: **14 Years**

The ornamental design for an evaporative cooler housing, as shown and described.

[21] Appl. No.: **26,020**

**DESCRIPTION**

[22] Filed: **Jul. 15, 1994**

FIG. 1 is a perspective view of the evaporative cooler housing of this design;

[52] U.S. Cl. .... **D23/351; D23/354**

FIG. 2 is a front elevational view thereof;

[58] Field of Search ..... D23/351, 353, D23/354; 62/305, 309

FIG. 3 is a side elevational view thereof, with the view from the other side being a mirror image thereof;

FIG. 4 is a back elevational view thereof;

[56] **References Cited**

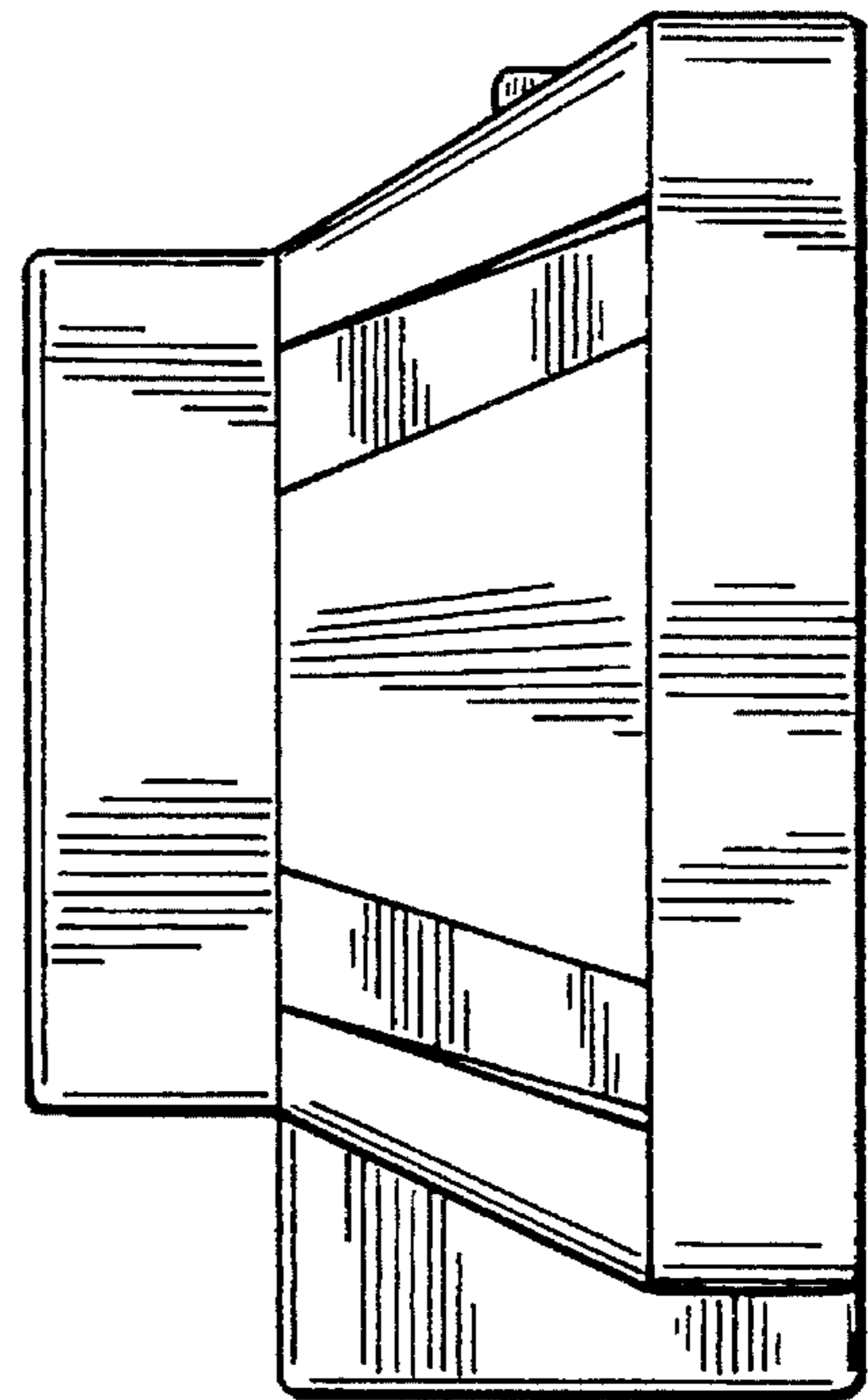
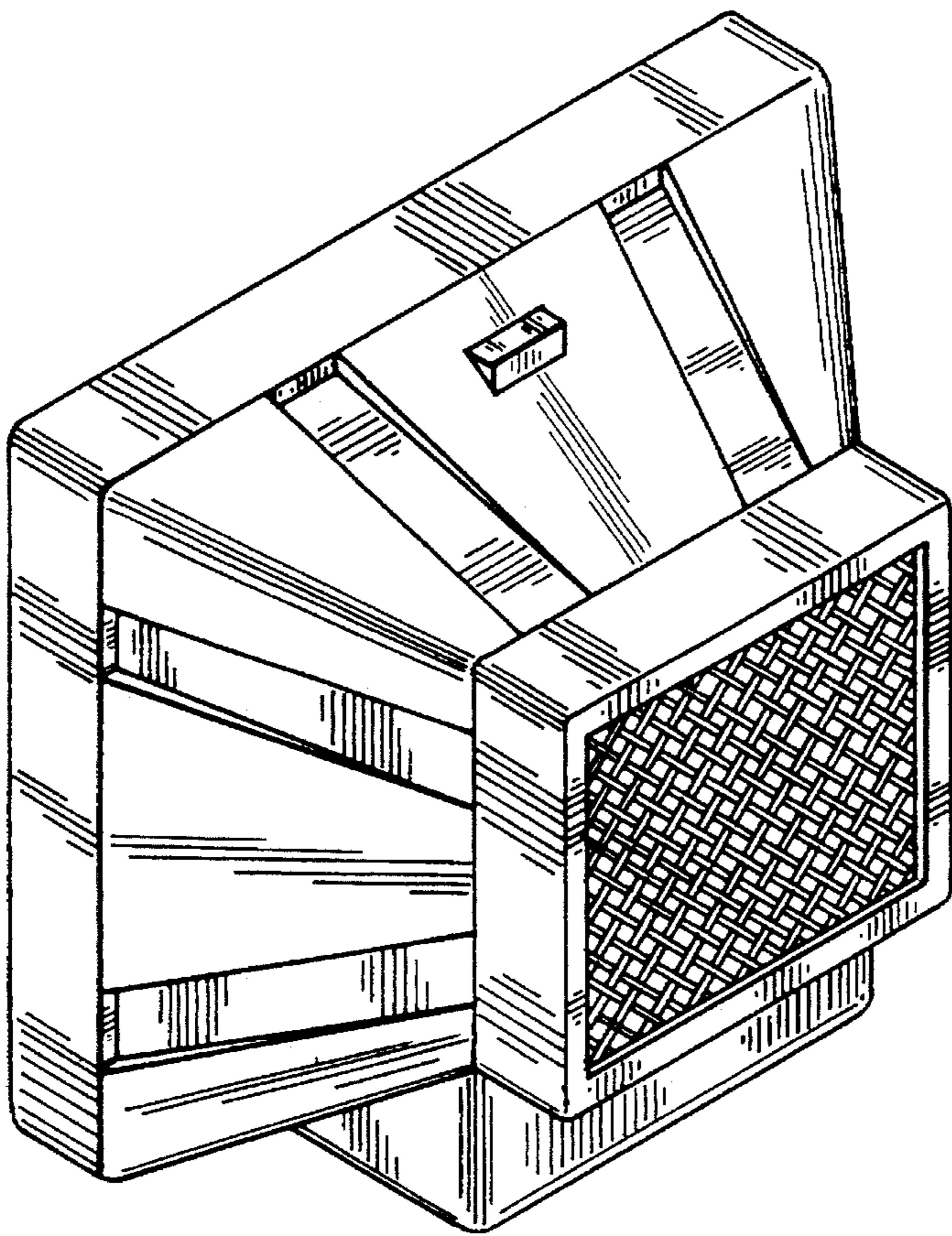
FIG. 5 is a top plan view thereof; and,

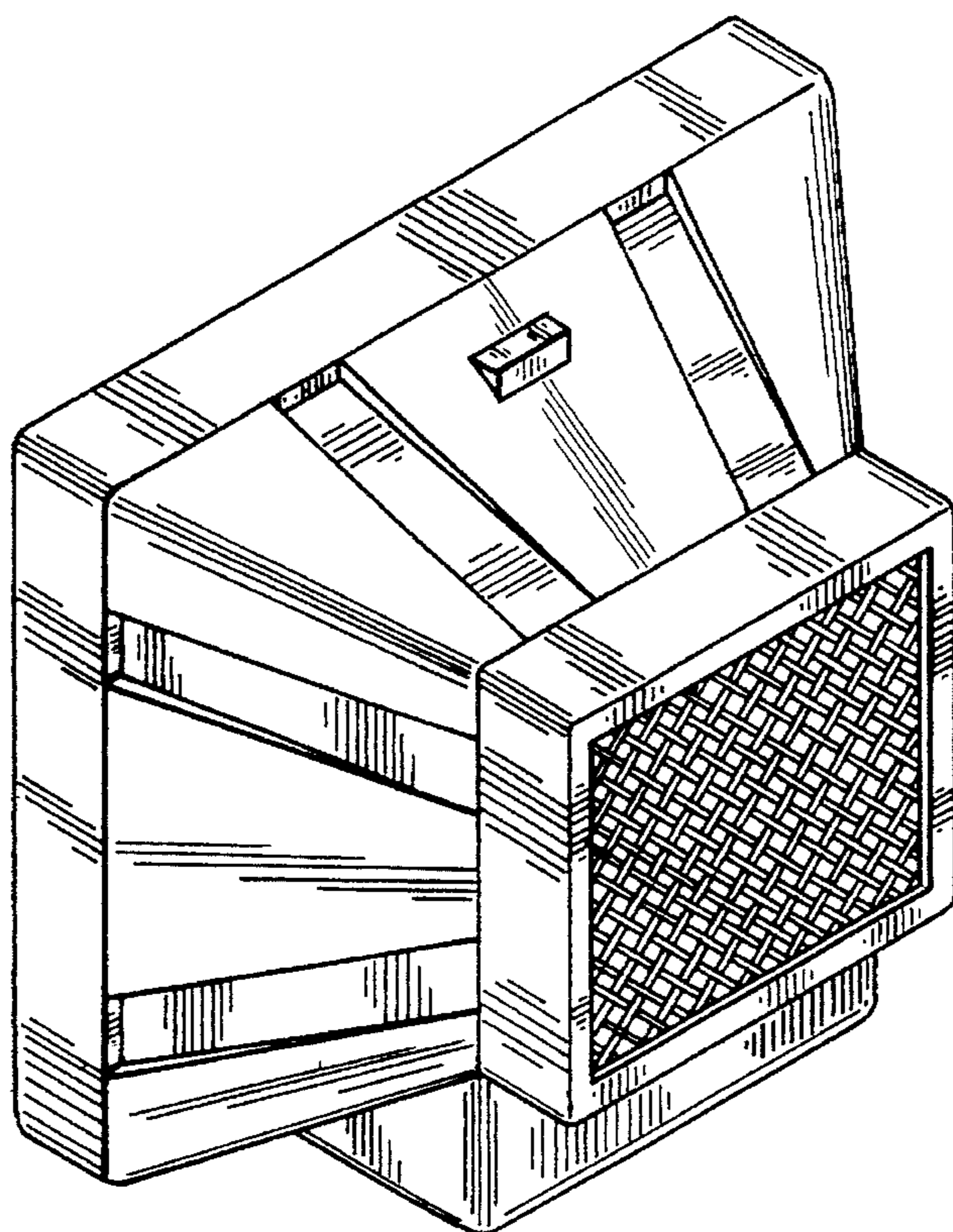
FIG. 6 is a bottom plan view thereof.

**U.S. PATENT DOCUMENTS**

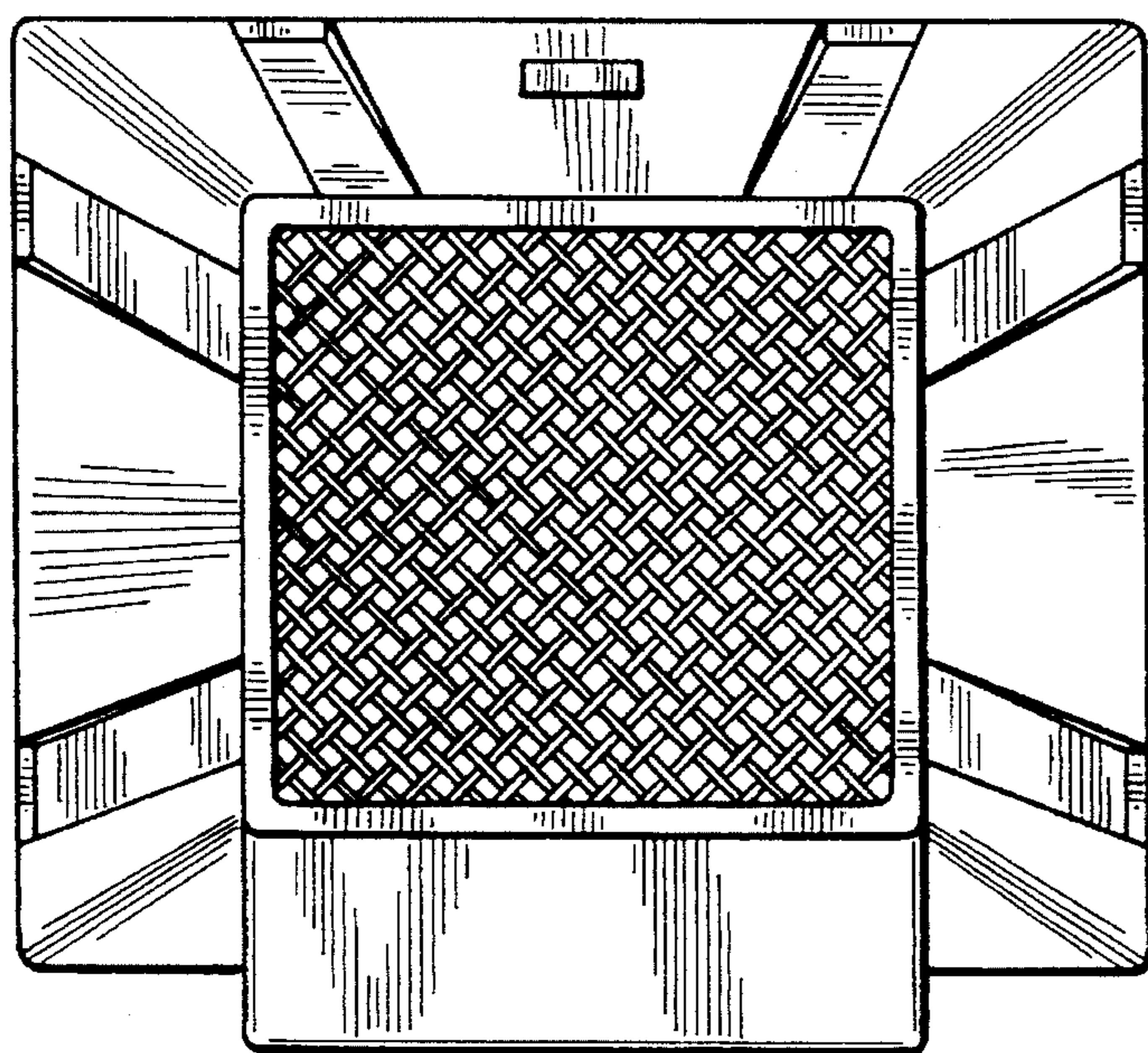
D. 211,086 5/1968 Christopher ..... D23/353

**1 Claim, 2 Drawing Sheets**

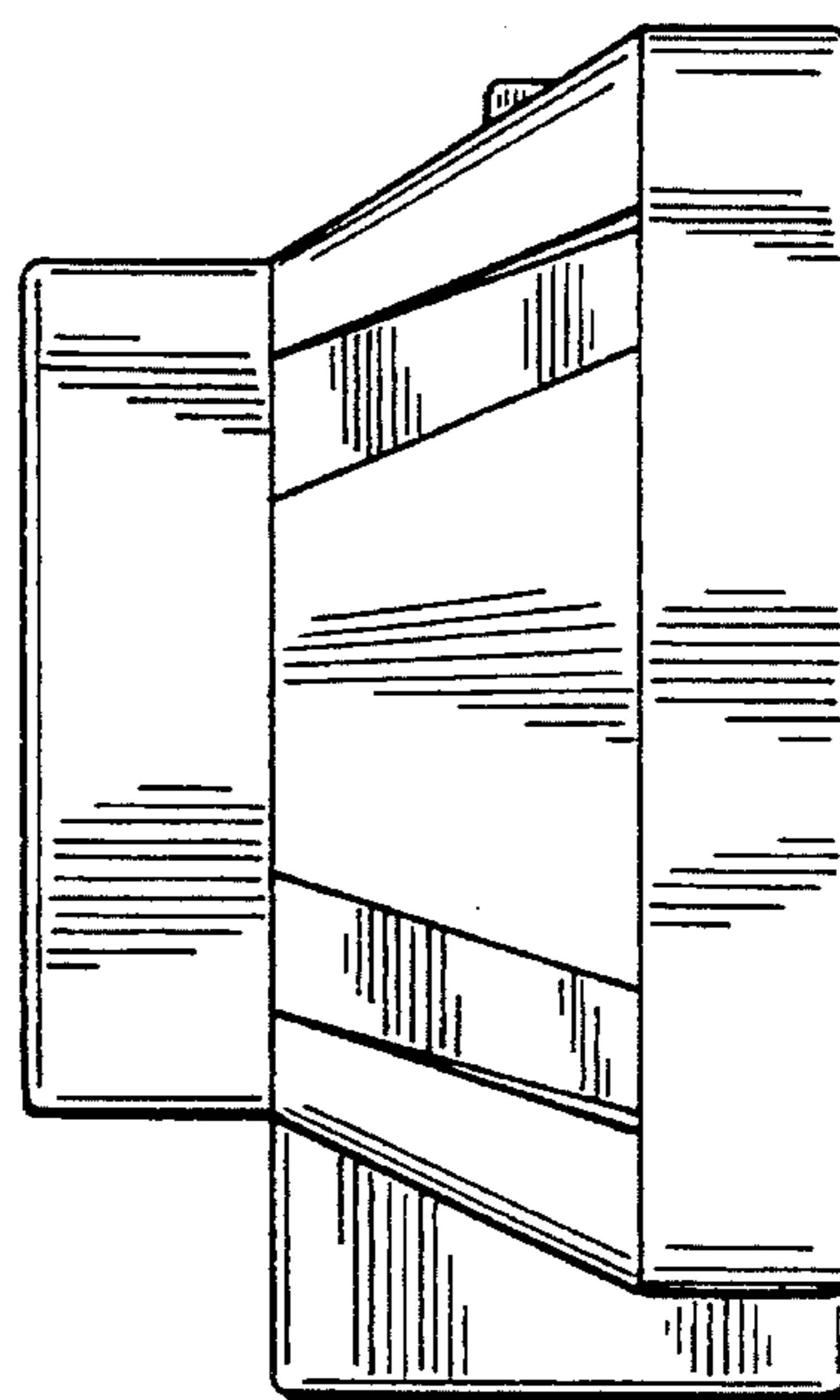




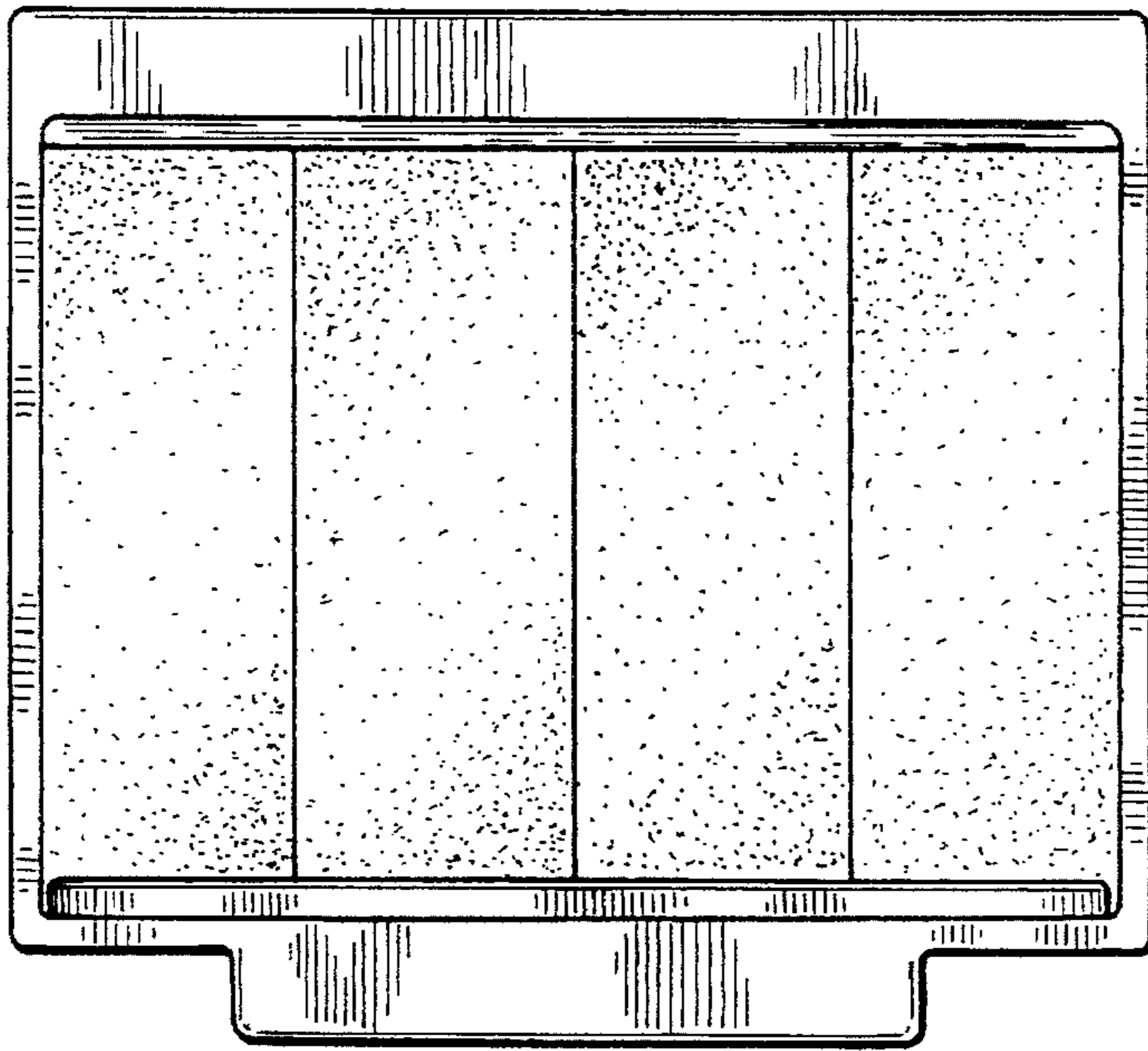
**FIG. 1**



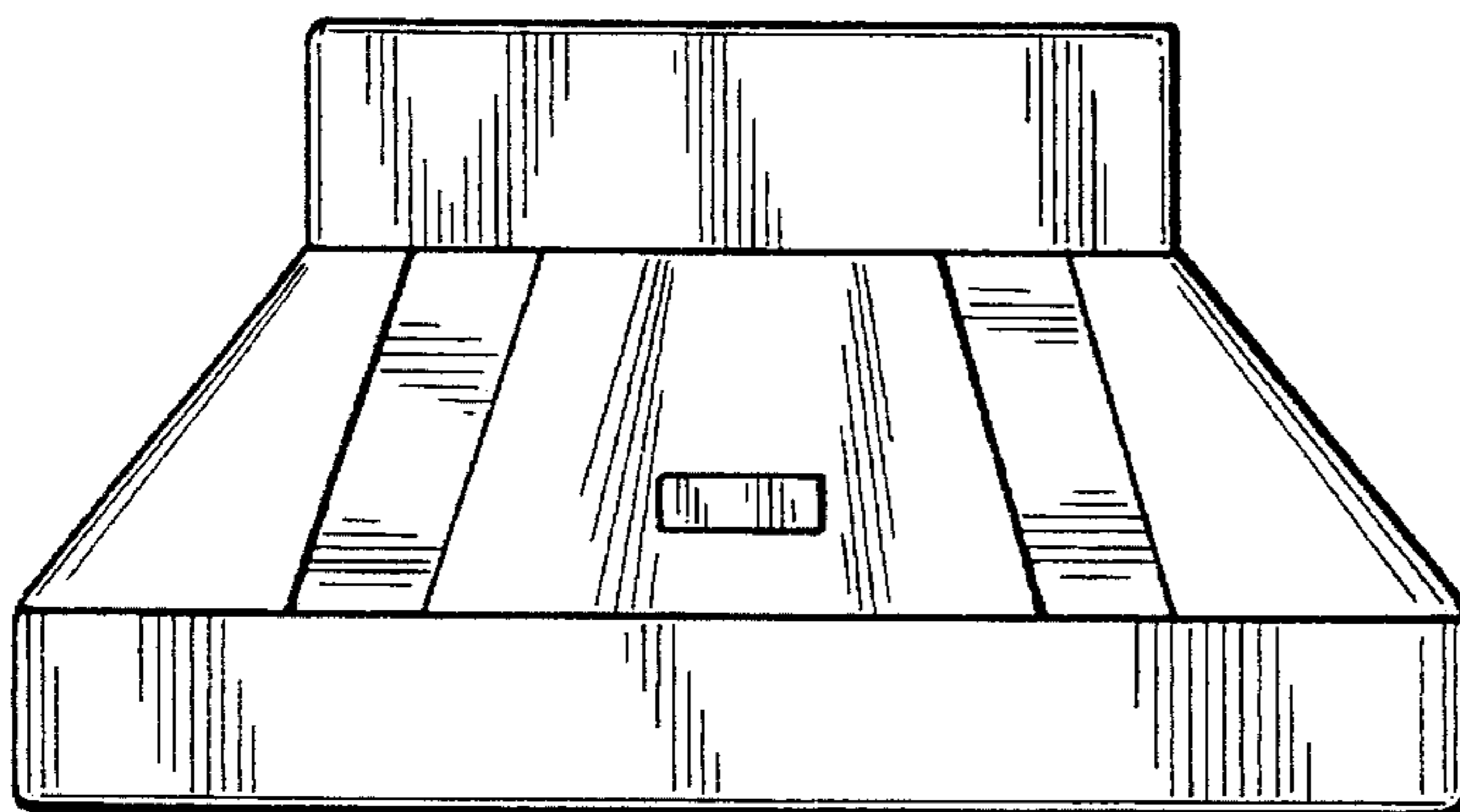
**FIG. 2**



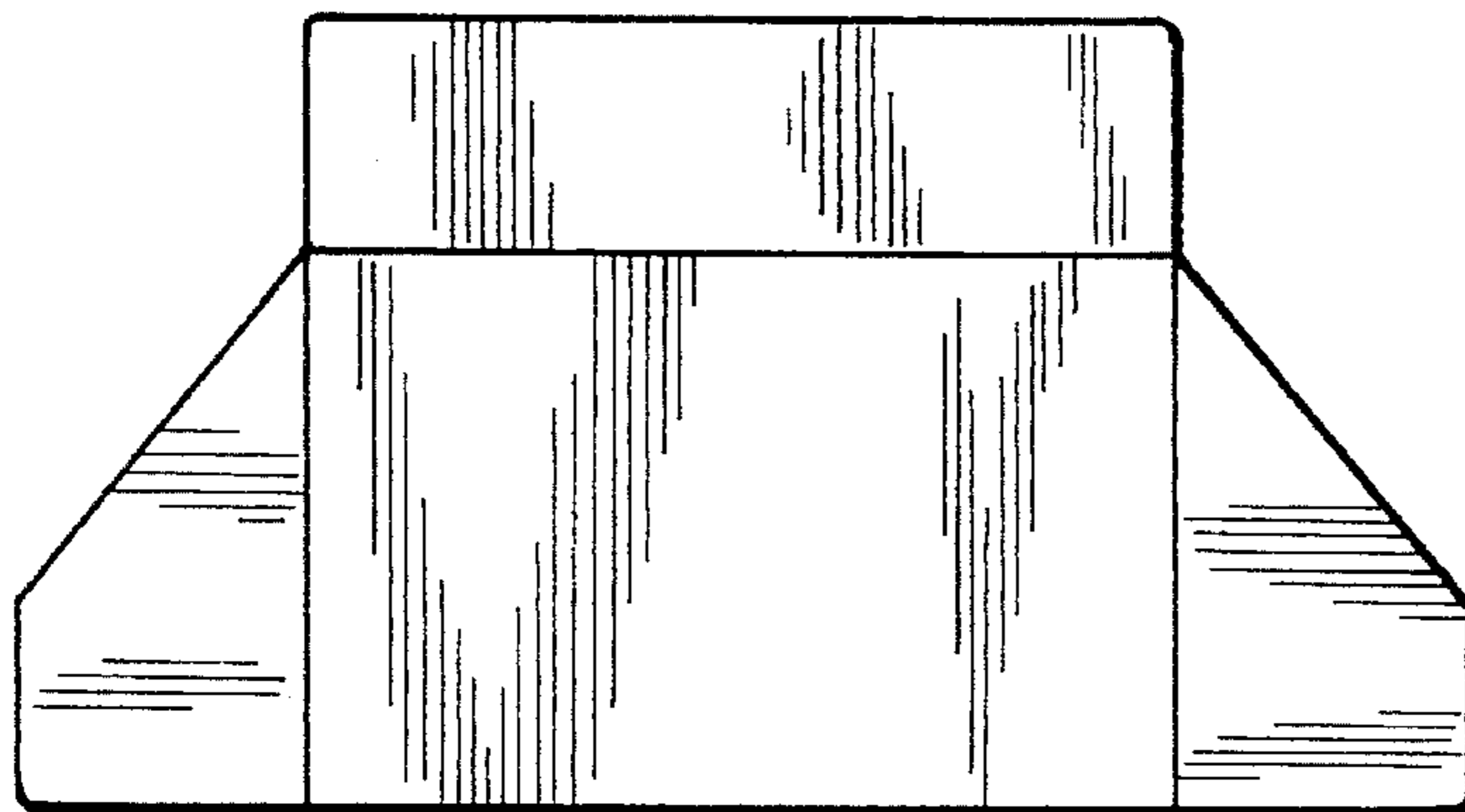
**FIG. 3**



**FIG. 4**



**FIG. 5**



**FIG. 6**